



Consistent with LEED® goals & Green Globes™ criteria for light pollution reduction



# AutoConnect Series ACL

## Roadway Lighting

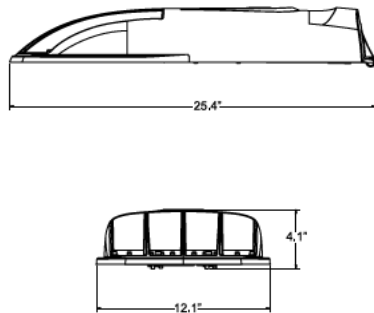
### PRODUCT OVERVIEW



### Applications:

- Roadways
- Off ramps
- Residential streets
- Parking lots

### DIMENSIONS



Effective Projected Area (EPA)  
The EPA for the ACL is 0.36 sq. ft.,  
Approx. Wt. = 17 lbs. (7.7 kg)

### STANDARDS

Rated for -40°C to 40°C ambient.  
CSA Certified to U.S. and Canadian standards  
Complies with ANSI: C136.2, C136.10, C136.31, C136.15, C136.37

### Features:

#### OPTICAL

AutoConnect utilizes the most advanced optical technology. Durable, precision optical control is obtained with new silicone materials that permit superior mold detail and denser LED population for a more visually comfortable appearance.

Silicone optics are superior to other polymeric materials in the areas of; optical efficiency, thermal performance, and reduction in dirt accumulation, all of which can lead to long term lumen degradation and a shift in optical distribution. Also, because silicone allows for the molding of fine details as well as thick sections, it produces the most crisp, clean and well-defined lighting distributions available.

Silicone optics paired with modern LED's allow the AutoConnect to take full advantage of both technologies.

Lighting Performance is comparable to 250-400W HPS roadway luminaires.

Correlated color temperature - 4000K, or optional 2700K, 3000K or 5000K, all 70 CRI minimum.

Unique IP66 rated LED light engines provided 0% uplight and restrict backlight to within sidewalk depth, providing optimal application coverage and optimal pole spacing.

Available in Type II, III, IV & V roadway distributions.

#### ELECTRICAL

Expected Life: LED light engines are rated >100,000 hours at 25°C, L70. Electronic driver has an expected life of 100,000 hours at a 25°C ambient.

Lower Energy: Saves an expected of 40-60% over comparable HID luminaires.

Robust Surge Protection: Two different surge protection options provide a minimum of ANSI C136.2 10kV/5kA or 20kV/10kA protection.

Luminaire ships with a 0-10v dimmable driver or DALI D4i driver. Luminaire is continuous and step dimming capable via AO option or other installed controls.

#### MECHANICAL

Includes standard AEL lineman-friendly features such as tool-less entry, 3 station terminal block and quick disconnects. Bubble level located inside the electrical compartment for easily leveling at installation.

Rigorous pre-treatment and paint process yields a finish that achieves a scribe creepage rating of 10 (per ASTM D1654) after 5000 hours exposure to salt fog chamber (operated per ASTM B117). The optional CR finish uses an anodized basecoat with a polyester topcoat to achieve a scribe creepage rating of 10 after 10,000 hours.

Mast arm mount is adjustable for arms from 1-1/4" to 2" (1-5/8" to 2-3/8" O.D.) diameter.

Provides a 3G vibration rating per ANSI C136.31

#### CONTROLS

The Acuity designed ANSI 7-pin receptacle is available, which supports traditional locking style photocontrols such as the Extreme long-life solid-state locking style photocontrol - PCLL (20 year rated life).

Optional onboard Adjustable Output module allows the light output and input wattage to be modified to meet site specific requirements, and also can allow a single fixture to be flexibly applied in many different applications.

The DC Connect option is a factory embedded low voltage dusk to dawn photocontrol that increases longevity vs. line voltage controls and also eliminates the need to separately inventory controls.

Integral nLight rSDGR control is also available to provide local or network on/off/ dim control plus robust outdoor motion detection and response at up to 40' mounting heights.

The LocalConnect option provides a simple means to collect luminaire attribute data, asset location information and execute point-to-point on/off/dim commands via secure Bluetooth link using smartphone platforms.

The GlobalConnect option enabled thru selection of receptacles and controls provides a smart city enabled solution utilizing iIron long range network nodes to enable remote monitoring and control. Additionally, it can be equipped with sensor-ready technology to support Zhaga standard sensors in the future.

Note: Specifications subject to change without notice. Actual performance may differ as a result of end-user environment and application.

# AutoConnect Series ACL

## Roadway Lighting

### ORDERING INFORMATION

Series	Performance Packages		Voltage	Fixture Driver	Optics
<b>ACL</b> AutoConnect Large LED Roadway	<b>P801</b> 15700 Lumens, 99 watts	<b>P124</b> 19800 Lumens, 124 watts	<b>MVOLT</b> Multi-volt, 120-277V	<b>ZT</b> 0V to 10V DRIVER	<b>R2</b> Roadway Type II
	<b>P802</b> 17000 Lumens, 108 watts	<b>P125</b> 22000 Lumens, 142 watts	<b>XVOLT277</b> 277V	<b>D4i</b> D4i DRIVER	<b>R3</b> Roadway Type III
	<b>P803</b> 18400 Lumens, 119 watts	<b>P126</b> 24000 Lumens, 157 watts	<b>XVOLT347</b> 347V		<b>R4</b> Roadway Type IV
	<b>P121</b> 15000 Lumens, 89 watts	<b>P127</b> 26000 lumens, 170 watts	<b>XVOLT480</b> 480V		<b>R5</b> Roadway Type V
	<b>P122</b> 16800 Lumens, 101 watts	<b>P128<sup>1</sup></b> 29000 Lumens, 199 watts			
	<b>P123</b> 18100 Lumens, 113 watts				

#### Mounting Bolts

- 2B** 2 bolt mount
- 4B** 4 bolt mount

#### Color Temperature (CCT)

- 27K** 2700K Color Temperature
- 3K** 3000K Color Temperature
- 4K** 4000K Color Temperature
- 5K** 5000K Color Temperature

#### Paint

- GY** Gray, 5K hr salt spray
- BK** Black, 5K hr salt spray
- WH** White, 5K hr salt spray
- BZ** Bronze, 5K hr salt spray
- GN** Green, 5K hr salt spray
- GYCR** Gray, 10k hour salt spray
- BKCR** Black, 10k hour salt spray
- WHCR** White, 10k hour salt spray
- BZCR** Bronze, 10k hour salt spray
- GNCR** Green, 10k hour salt spray

#### Surge Protection

- 20K** Acuity SPD-20kV/10kA (IP65, with IL)
- MP** MOV Pack (TR parallel devices)

#### Notes:

1. Not available with HITEMP Option

#### Receptacle Top

- NTR** No top receptacle
- P7** 7-pin photocontrol receptacle
- ZRT** Zhaga receptacle on top of fixture

#### Receptacle Bottom

- NBR** No bottom receptacle
- ZRB** Zhaga receptacle on bottom of fixture

#### Optional Selections

##### Misc.

- BL** External Bubble Level
- XL** Not Certified - No Terminal Block Cover
- HS** House Side Shield
- NL** NEMA Label Indicating Wattage
- HITEMP** Elevated Ambient Temperature Rated

##### Controls

- AO** Adjustable Output Module
- PCLL** DTL DLL 120-480V Photocontrol  
NOT AVAILABLE WITH NR,  
REQUIRES P7
- SH** Shorting Cap  
Requires P7
- DDC** DC Connect photocontrol  
Requires D4i driver, NTR & NBR
- ALCB** Local Connect Basic  
Requires D4i driver & NBR
- ALCF** Local Connect Full  
Requires D4i driver & NBR
- ALCC** Local Connect Custom  
Requires D4i driver & NBR
- RSDGR** nLight Motion Sensor  
Requires ZT driver, NTR & NBR

##### Packaging

- (Blank)** Single Unit (Standard)
- JP** Job Pack (54/pallet)



AEL Headquarters, One Lithonia Way, Conyers Georgia 30012  
 www.americanelectriclighting.com Phone: 1-866-HOLOPHANE  
 Email: TechSupportINF@AcuityBrands.com

© 2023 Acuity Brands Lighting, Inc. All Rights Reserved. ACL Rev. 02/15/24

**Warranty** Five-year limited warranty. This is the only warranty provided and no other statements in this specification sheet create any warranty of any kind. All other express and implied warranties are disclaimed. Complete warranty terms located at: [www.acuitybrands.com/support/warranty/terms-and-conditions](http://www.acuitybrands.com/support/warranty/terms-and-conditions)

**Note:** Actual performance may differ as a result of end-user environment and application. All values are design or typical values, measured under laboratory conditions at 25 °C. Specifications subject to change without notice.

*Please contact your sales representative for the latest product information.*

# AutoConnect Series ACL

## Roadway Lighting

### ORDERING INFORMATION

#### Accessories: House side shields for field installation

<b>ACL23HSS</b>	House Side Shield for R2 & R3 Optics
<b>ACL45HSS</b>	House Side Shield for R4 & R5 Optics
<b>ACLLRLTS</b>	Left/Right Side Light Trespass Shield for Field Installation
<b>ACLHSSLTS</b>	House Side/Street Side Light trespass shield for field installation
<b>ACLDSLTS</b>	Cul-de-sac light trespass shield for field installation

#### Arm Accessories

<b>UMR-XX</b>	8" Horizontal Arm for Round Pole, Painted to match Fixture
<b>UMS-XX</b>	8" Horizontal Arm for Square Pole, Painted to match Fixture
<b>UMR-GALV</b>	8" Horizontal Arm for Round Pole Galvanized
<b>UMS-GALV</b>	8" Horizontal Arm for Square Pole, Galvanized

#### ATC Decorative Arms:

<b>ATBODECOS XX</b>	Decorative Arm for Square Pole Painted to match fixture
<b>ATBODECOR XX</b>	Decorative Arm for Round Pole Painted to match fixture



AEL Headquarters, One Lithonia Way, Conyers Georgia 30012  
 www.americanelectriclighting.com Phone: 1-866-HOLOPHANE  
 Email: TechSupportINF@AcuityBrands.com

© 2023 Acuity Brands Lighting, Inc. All Rights Reserved. ACL Rev. 02/15/24

**Warranty** Five-year limited warranty. This is the only warranty provided and no other statements in this specification sheet create any warranty of any kind. All other express and implied warranties are disclaimed. Complete warranty terms located at: [www.acuitybrands.com/support/warranty/terms-and-conditions](http://www.acuitybrands.com/support/warranty/terms-and-conditions)

**Note:** Actual performance may differ as a result of end-user environment and application. All values are design or typical values, measured under laboratory conditions at 25 °C. Specifications subject to change without notice.

**Please contact your sales representative for the latest product information.**

# AutoConnect Series ACL Roadway Lighting

## Options Matrix

ACL		Controls									Receptacle Top			Receptacle Bottom		Driver		Other
		AO	PCLL	SH	DDC	ALCB	ALCF	ALCC	RSDGR	UBC	NTR	P7	ZRT	NBR	ZRB	ZT	D4i	BL
Controls	AO		Y	Y	N	N	N	N	N	N	Y	Y	N	Y	N	Y	N	Y
	PCLL	Y		N	N	Y	Y	Y	N	N	N	Y	N	Y	Y	Y	Y	Y
	SH	Y	N		N	Y	Y	Y	N	N	N	Y	N	Y	Y	Y	Y	Y
	DDC	N	N	N		N	N	N	N	N	Y	N	N	Y	N	N	Y	Y
	ALCB	N	Y	Y	N		N	N	N	N	Y	Y	Y	Y	N	N	Y	N
	ALCF	N	Y	Y	N	N		N	N	N	Y	Y	Y	Y	N	N	Y	N
	ALCC	N	Y	Y	N	N	N		N	N	Y	Y	Y	Y	N	N	Y	N
	RSDGR	N	N	N	N	N	N	N		N	Y	N	N	Y	N	Y	N	N
Receptacle Top	UBC	N	N	N	N	N	N	N		Y	N	N	Y	Y	N	Y	Y	
	NTR	Y	N	N	Y	Y	Y	Y	Y				Y	Y	Y	Y	Y	
	P7	Y	Y	Y	N	Y	Y	Y	N	N			Y	Y	Y	Y	Y	
Receptacle Bottom	ZRT	N	N	N	N	Y	Y	Y	N	N			Y	Y	N	Y	Y	
	NBR	Y	Y	Y	Y	Y	Y	Y	Y	Y	Y	Y			Y	Y	Y	
	ZRB	N	Y	Y	N	N	N	N	N	Y	Y	Y			N	Y	N	
Driver	ZT	Y	Y	Y	N	N	N	N	Y	N	Y	Y	Y	N			Y	
	D4i	N	Y	Y	Y	Y	Y	Y	N	Y	Y	Y	Y	Y			Y	

Y = Option combination is allowed  
N = Option combination is not allowed

## Performance Package Matrix

ACL (Large)	MISC
	HITEMP
P801	Y
P802	Y
P803	Y
P121	Y
P122	Y
P123	Y
P124	Y
P125	Y
P126	Y
P127	Y
P128	N

D4i Driver Option Defaults					
Setting	Receptacle Top	Receptacle Bottom	Embedded Control	Default Value	Alternate Values
DALI Power Bus	NTR	NBR	none	<b>ON</b>	<i>Off</i>
	NTR	NBR	ALCB / ALCF / ALCC	<b>ON</b>	<i>none</i>
	NTR	NBR	DDC	<b>ON</b>	<i>none</i>
	NTR	ZRB	none	<b>ON</b>	<i>Off</i>
	NTR	NBR	UBC	<b>ON</b>	<i>none</i>
	NTR	ZRB	UBC	<b>ON</b>	<i>none</i>
	P7	NBR	none	<b>OFF</b>	<i>On</i>
	P7	NBR	ALCB / ALCF / ALCC	<b>ON</b>	<i>none</i>
	P7	ZRB	none	<b>OFF</b>	<i>On</i>
	ZRT	NBR	none	<b>ON</b>	<i>Off</i>
	ZRT	NBR	ALCB / ALCF / ALCC	<b>ON</b>	<i>none</i>
	ZRT	NBR	DDC	<b>ON</b>	<i>none</i>
	ZRT	ZRB	none	<b>ON</b>	<i>Off</i>
Dimming Type	All	All	Any	<b>LINEAR</b>	<i>Logarithmic</i>
24V AUX	All	All	Any	<b>ON</b> (Not Connected)	<i>none</i>
Scenes Data	All	All	Any	<b>0 (blank)</b>	<i>01-255</i>

\*To program different settings, consult factory; RFD is required



# AutoConnect Series ACL

## Roadway Lighting

### PERFORMANCE PACKAGE

ACL Large	Distribution	Input Watts	2700K		3000K		4000/5000K		LLD @ 25°C		
			Lumens	LPW	Lumens	LPW	Lumens	LPW	50k Hours	75k Hours	100k Hours
P801	R2	99	14,215	144	14,870	150	15,725	159	0.92	0.89	0.87
	R3		14,315	145	14,935	151	15,837	160			
	R4		14,359	145	14,662	148	15,885	160			
	R5		14,839	150	15,319	155	16,417	166			
P802	R2	108	15,385	142	15,794	146	17,020	158	0.92	0.89	0.87
	R3		15,404	143	15,918	147	17,041	158			
	R4		15,422	143	15,702	145	17,062	158			
	R5		15,791	146	16,375	152	17,470	162			
P803	R2	119	16,590	139	16,895	142	18,353	154	0.92	0.89	0.87
	R3		16,494	139	17,050	143	18,350	154			
	R4		16,298	137	16,764	141	18,031	152			
	R5		16,822	141	17,500	147	18,611	156			
P121	R2	89	13,558	152	14,273	160	14,999	169	0.92	0.89	0.87
	R3		13,609	153	14,012	157	15,056	169			
	R4		13,567	152	13,928	156	15,009	169			
	R5		13,881	156	14,454	162	15,357	173			
P122	R2	101	15,170	150	15,963	158	16,783	166	0.92	0.89	0.87
	R3		15,267	151	15,869	157	16,890	167			
	R4		15,177	150	15,581	154	16,790	166			
	R5		15,655	155	16,250	161	17,319	171			
P123	R2	112	16,709	149	17,579	157	18,485	165	0.92	0.89	0.87
	R3		16,813	150	17,316	155	18,601	166			
	R4		16,658	149	17,306	155	18,429	165			
	R5		17,188	153	18,011	161	19,015	170			
P124	R2	122	18,065	148	19,025	156	19,985	164	0.92	0.89	0.87
	R3		18,090	148	18,687	153	20,013	164			
	R4		18,011	148	18,643	153	19,925	163			
	R5		18,601	152	19,391	159	20,578	169			
P125	R2	141	20,330	144	21,456	152	22,491	160	0.92	0.89	0.87
	R3		20,473	145	21,186	150	22,650	161			
	R4		20,282	144	21,093	150	22,438	159			
	R5		20,985	149	21,957	156	23,215	165			
P126	R2	155	21,929	141	23,139	149	24,260	157	0.92	0.89	0.87
	R3		21,310	137	22,789	147	24,452	158			
	R4		22,151	143	22,738	147	24,506	158			
	R5		22,623	146	23,612	152	25,028	161			
P127	R2	169	23,456	139	24,879	147	25,949	154	0.92	0.89	0.87
	R3		22,119	131	24,436	145	26,186	155			
	R4		23,546	139	24,443	145	26,049	154			
	R5		24,378	144	25,375	150	26,969	160			
P128	R2	198	26,607	134	28,132	142	29,435	149	0.92	0.89	0.87
	R3		27,304	138	27,722	140	30,206	153			
	R4		26,797	135	27,806	140	29,645	150			
	R5		27,753	140	28,916	146	30,703	155			

**Note:** Individual fixture performance may vary. Specifications subject to change without notice.

LLD Multiplier	15C	20C	25C	30C	35C	40C
	1.02	1.01	1.00	0.99	0.98	0.97

To calculate the LLD for a temperature other than 25°C, multiply the LLD @ 25°C (shown in the performance package table) by the LLD multiplier for the selected temperature.



AEL Headquarters, One Lithonia Way, Conyers Georgia 30012  
 www.americanelectricleighting.com Phone: 1-866-HOLOPHANE  
 Email: TechSupportINF@AcuityBrands.com  
 © 2023 Acuity Brands Lighting, Inc. All Rights Reserved. ACL Rev. 02/15/24

**Warranty** Five-year limited warranty. This is the only warranty provided and no other statements in this specification sheet create any warranty of any kind. All other express and implied warranties are disclaimed. Complete warranty terms located at: [www.acuitybrands.com/support/warranty/terms-and-conditions](http://www.acuitybrands.com/support/warranty/terms-and-conditions)

**Note:** Actual performance may differ as a result of end-user environment and application. All values are design or typical values, measured under laboratory conditions at 25 °C. Specifications subject to change without notice.

**Please contact your sales representative for the latest product information.**

# AutoConnect Series ACL

## Roadway Lighting

### B.U.G. Ratings

ACL Large	Distribution	2700K			3000K			4000/5000K		
		B	U	G	B	U	G	B	U	G
P801	R2	3	0	3	3	0	3	3	0	3
	R3	2	0	3	2	0	3	2	0	3
	R4	2	0	3	2	0	3	3	0	3
	R5	4	0	2	4	0	2	4	0	3
P802	R2	3	0	3	3	0	3	3	0	3
	R3	2	0	3	2	0	3	3	0	3
	R4	3	0	3	3	0	3	3	0	3
	R5	4	0	2	4	0	2	4	0	3
P803	R2	3	0	3	3	0	3	3	0	3
	R3	3	0	3	3	0	3	3	0	3
	R4	3	0	3	3	0	3	3	0	3
	R5	4	0	3	4	0	3	5	0	3
P121	R2	3	0	3	3	0	3	3	0	3
	R3	2	0	2	2	0	2	3	0	3
	R4	2	0	3	2	0	3	3	0	3
	R5	4	0	2	4	0	2	4	0	2
P122	R2	3	0	3	3	0	3	3	0	3
	R3	3	0	3	3	0	3	3	0	3
	R4	3	0	3	3	0	3	3	0	3
	R5	4	0	2	4	0	2	4	0	3
P123	R2	3	0	3	3	0	3	3	0	3
	R3	3	0	3	3	0	3	3	0	3
	R4	3	0	3	3	0	3	3	0	3
	R5	4	0	3	4	0	3	4	0	3
P124	R2	3	0	3	3	0	3	3	0	3
	R3	3	0	3	3	0	3	3	0	3
	R4	3	0	3	3	0	3	3	0	3
	R5	4	0	3	4	0	3	5	0	3
P125	R2	3	0	3	3	0	3	3	0	3
	R3	3	0	3	3	0	3	3	0	3
	R4	3	0	4	3	0	4	3	0	4
	R5	5	0	3	5	0	3	5	0	3
P126	R2	3	0	3	3	0	3	3	0	3
	R3	3	0	3	3	0	3	3	0	3
	R4	3	0	4	3	0	4	3	0	4
	R5	5	0	3	5	0	3	5	0	3
P127	R2	3	0	3	3	0	3	3	0	3
	R3	3	0	3	3	0	3	3	0	3
	R4	3	0	4	3	0	4	3	0	4
	R5	5	0	3	5	0	3	5	0	4
P128	R2	3	0	3	3	0	3	3	0	3
	R3	3	0	3	3	0	3	3	0	4
	R4	3	0	4	3	0	4	3	0	4
	R5	5	0	4	5	0	4	5	0	4



AEL Headquarters, One Lithonia Way, Conyers Georgia 30012  
 www.americanelectriclighting.com Phone: 1-866-HOLOPHANE  
 Email: TechSupportINF@AcuityBrands.com  
 © 2023 Acuity Brands Lighting, Inc. All Rights Reserved. ACL Rev. 02/15/24

**Warranty** Five-year limited warranty. This is the only warranty provided and no other statements in this specification sheet create any warranty of any kind. All other express and implied warranties are disclaimed. Complete warranty terms located at: [www.acuitybrands.com/support/warranty/terms-and-conditions](http://www.acuitybrands.com/support/warranty/terms-and-conditions)

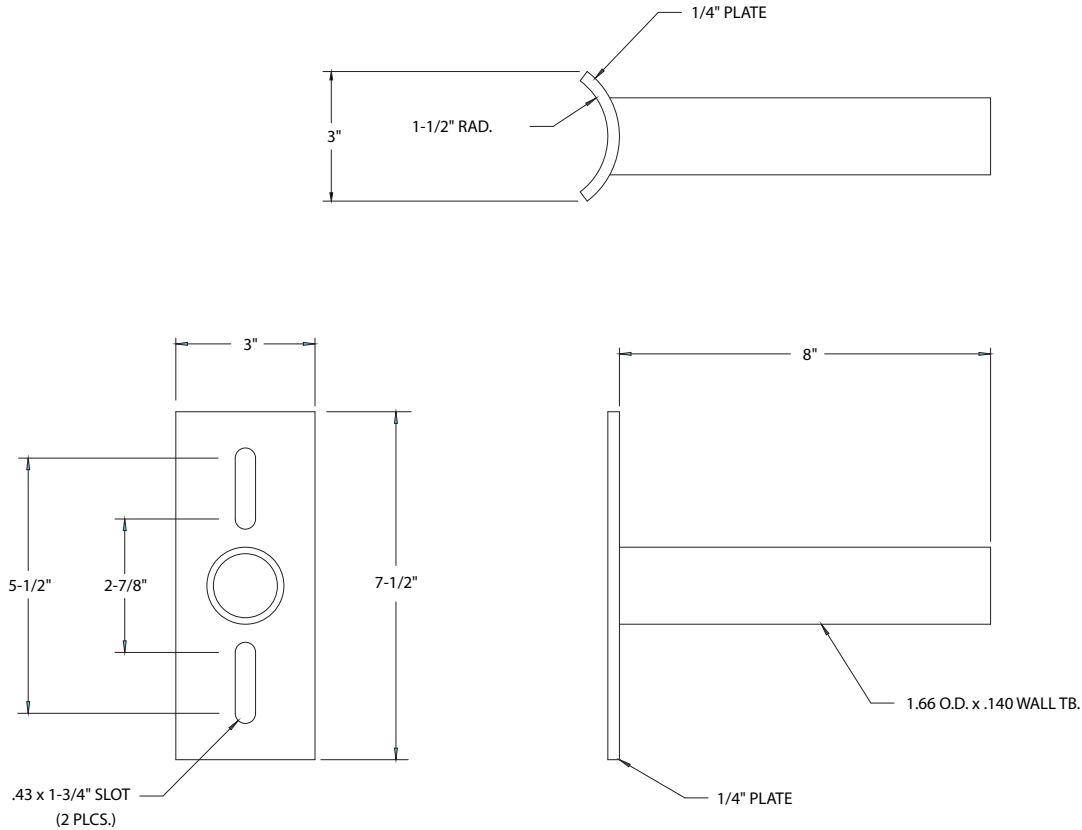
**Note:** Actual performance may differ as a result of end-user environment and application. All values are design or typical values, measured under laboratory conditions at 25 °C. Specifications subject to change without notice.

*Please contact your sales representative for the latest product information.*

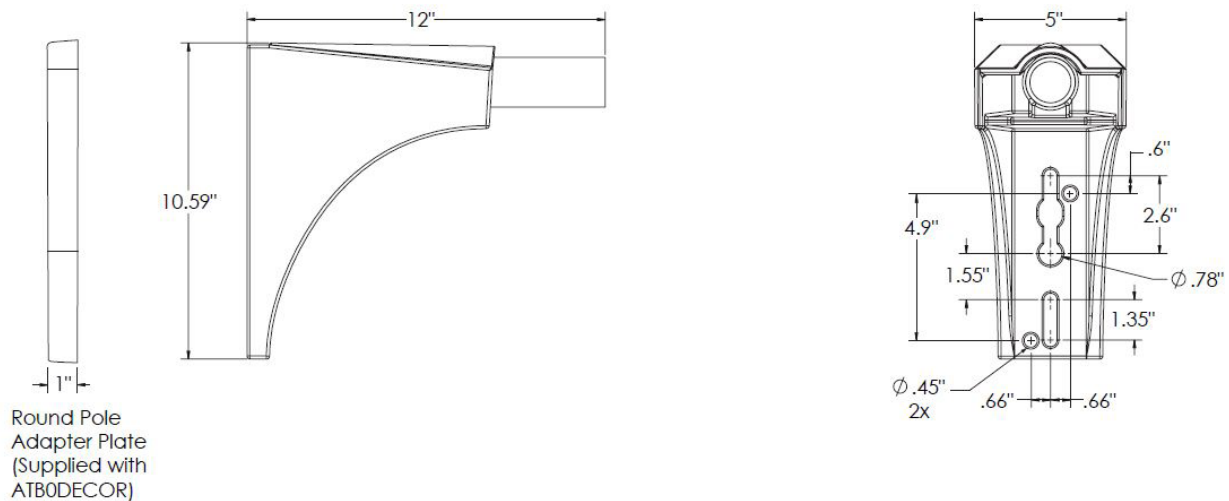
# AutoConnect Series ACL Roadway Lighting

## UMR POLE ADAPTOR

RECOMMENDED FOR USE WITH POLES OF 4" DIAMETER OR SMALLER



## UMS POLE ADAPTOR



**Warranty** Five-year limited warranty. This is the only warranty provided and no other statements in this specification sheet create any warranty of any kind. All other express and implied warranties are disclaimed. Complete warranty terms located at: [www.acuitybrands.com/support/warranty/terms-and-conditions](http://www.acuitybrands.com/support/warranty/terms-and-conditions)

**Note:** Actual performance may differ as a result of end-user environment and application. All values are design or typical values, measured under laboratory conditions at 25 °C. Specifications subject to change without notice.

**Please contact your sales representative for the latest product information.**



AEL Headquarters, One Lithonia Way, Conyers Georgia 30012  
[www.americanelectriclighting.com](http://www.americanelectriclighting.com) Phone: 1-866-HOLOPHANE  
 Email: [TechSupportINF@AcuityBrands.com](mailto:TechSupportINF@AcuityBrands.com)

© 2023 Acuity Brands Lighting, Inc. All Rights Reserved. ACL Rev. 02/15/24