



Consistent with LEED® goals & Green Globes™ criteria for light pollution reduction



AutoConnect Series ACM Roadway Lighting

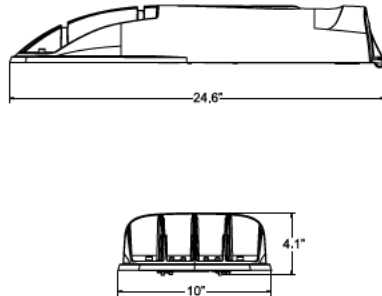
PRODUCT OVERVIEW



Applications:

- Roadways
- Off ramps
- Residential streets
- Parking lots

DIMENSIONS



Effective Projected Area (EPA)
The EPA for the ACM is 0.35 sq. ft.,
Approx. Wt. = 12 lbs. (5.4 kg)

STANDARDS

Rated for -40°C to 40°C ambient
CSA Certified to U.S. and Canadian standards
Complies with ANSI: C136.2, C136.10, C136.31, C136.15, C136.37

Government Procurement

BAA – Buy America(n) Act: Product with the BAA option qualifies as a domestic end product under the Buy American Act as implemented in the FAR and DFARS. Product with the BAA option also qualifies as manufactured in the United States under DOT Buy America regulations.
BABA – Build America Buy America: Product with the BAA option also qualifies as produced in the United States under the definitions of the Build America, Buy America Act.
Please refer to www.acuitybrands.com/resources/buy-american for additional information.

Features:

OPTICAL

AutoConnect utilizes the most advanced optical technology. Durable, precision optical control is obtained with new silicone materials that permit superior mold detail and denser LED population for a more visually comfortable appearance.

Silicone optics are superior to other polymeric materials in the areas of; optical efficiency, thermal performance, and reduction in dirt accumulation, all of which can lead to long term lumen degradation and a shift in optical distribution. Also, because silicone allows for the molding of fine details as well as thick sections, it produces the most crisp, clean and well-defined lighting distributions available.

Silicone optics paired with modern LED's allow the AutoConnect to take full advantage of both technologies.

Lighting Performance is comparable to 150-250W HPS roadway luminaires.

Correlated color temperature - 4000K, or optional 2700K, 3000K or 5000K, all 70 CRI minimum.

Unique IP66 rated LED light engines provided 0% uplight and restrict backlight to within sidewalk depth, providing optimal application coverage and optimal pole spacing.

Available in Type II, III, IV & V roadway distributions.

ELECTRICAL

Expected Life: LED light engines are rated >100,000 hours at 25°C, L70. Electronic driver has an expected life of 100,000 hours at a 25°C ambient.

Lower Energy: Saves an expected of 40-60% over comparable HID luminaires.

Robust Surge Protection: Two different surge protection options provide a minimum of ANSI C136.2 10kV/5kA or 20kV/10kA protection.

Luminaire ships with a 0-10v dimmable driver or DALI D4i driver. Luminaire is continuous and step dimming capable via AO option or other installed controls.

MECHANICAL

Includes standard AEL lineman-friendly features such as tool-less entry, 3 station terminal block and quick disconnects. Bubble level located inside the electrical compartment for easily leveling at installation.

Rigorous pre-treatment and paint process yields a finish that achieves a scribe creepage rating of 10 (per ASTM D1654) after 5000 hours exposure to salt fog chamber (operated per ASTM B117). The optional CR finish uses an anodized basecoat with a polyester topcoat to achieve a scribe creepage rating of 10 after 10,000 hours.

Mast arm mount is adjustable for arms from 1-1/4" to 2" (1-5/8" to 2-3/8" O.D.) diameter.

Provides a 3G vibration rating per ANSI C136.31

CONTROLS

The Acuity designed ANSI 7-pin receptacle is available, which supports traditional locking style photocontrols such as the Extreme long-life solid-state locking style photocontrol - PCLL (20 year rated life).

Optional onboard Adjustable Output module allows the light output and input wattage to be modified to meet site specific requirements, and also can allow a single fixture to be flexibly applied in many different applications.

The DC Connect option is a factory embedded low voltage dusk to dawn photocontrol that increases longevity vs. line voltage controls and also eliminates the need to separately inventory controls.

Integral nLight rSDGR control is also available to provide local or network on/off/ dim control plus robust outdoor motion detection and response at up to 40' mounting heights.

The LocalConnect option provides a simple means to collect luminaire attribute data, asset location information and execute point-to-point on/off/dim commands via secure Bluetooth link using smartphone platforms.

The GlobalConnect option enabled thru selection of receptacles and controls provides a smart city enabled solution utilizing long range network nodes to enable remote monitoring and control. Additionally, it can be equipped with sensor-ready technology to support Zhaga standard sensors.

Cell Connect is an embedded network photocontrol with cellular communication. It provides digital switching, precise dimming, and revenue grade metrology. Cell Connect leverage D4i drivers to communicate real-time data to UbiVu, a cloud-based asset management system.

Note: Specifications subject to change without notice. Actual performance may differ as a result of end-user environment and application.

AutoConnect Series ACM Roadway Lighting

ORDERING INFORMATION

Series	Performance Packages				Voltage	Fixture Driver	Optics
ACM AutoConnect Medium LED Roadway	P401 7400 Lumens, 46 watts	P604 11000 Lumens, 70 watts	MVOLT Multi-volt, 120-277V	ZT 0V to 10V DRIVER	R2 Roadway Type II		
	P402 8900 Lumens, 57 watts	P605 12800 Lumens, 84 watts	XVOLT277 277V	D4i D4i DRIVER	R3 Roadway Type III		
	P403 10100 Lumens, 67 watts	P606 14100 Lumens, 94 watts	XVOLT347 347V		R4 Roadway Type IV		
	P601¹ 6400 Lumens, 38 watts	P607 15700 Lumens, 107 watts	XVOLT480 480V		R5 Roadway Type V		
	P602¹ 7900 Lumens, 48 watts	P608 16800 Lumens, 118 watts					
	P603 9600 Lumens, 61 watts	P609² 17800 Lumens, 127 watts					

Mounting Bolts

- 2B** 2 bolt mount
- 4B** 4 bolt mount

Color Temperature (CCT)

- 27K** 2700K Color Temperature
- 3K** 3000K Color Temperature
- 4K** 4000K Color Temperature
- 5K** 5000K Color Temperature

Paint

- GY** Gray, 5K hr salt spray
- BK** Black, 5K hr salt spray
- WH** White, 5K hr salt spray
- BZ** Bronze, 5K hr salt spray
- GN** Green, 5K hr salt spray
- GYCR** Gray, 10k hour salt spray
- BKCR** Black, 10k hour salt spray
- WHCR** White, 10k hour salt spray
- BZCR** Bronze, 10k hour salt spray
- GNCR** Green, 10k hour salt spray

Surge Protection

- 20K** Acuity SPD-20kV/10kA (IP65, with IL)
- MP** MOV Pack (TR parallel devices)

Notes:

1. Not available with XVOLT Voltage
2. Not available with HITEMP Option

Receptacle Top

- NTR** No top receptacle
- P7** 7-pin photocontrol receptacle
- ZRT** Zhaga receptacle on top of fixture

Receptacle Bottom

- NBR** No bottom receptacle
- ZRB** Zhaga receptacle on bottom of fixture

Optional Selections

Misc.

- BL** External Bubble Level
- XL** Not Certified - No Terminal Block Cover
- HS** House Side Shield
- NL** NEMA Label Indicating Wattage
- HITEMP** 50C Ambient Temperature Rated
- BAA** Buy America(n) Act and/or Build America Buy America Qualified

Controls

- AO** Adjustable Output Module
- PCLL** DTL DLL 120-480V Photocontrol
NOT AVAILABLE WITH NR, REQUIRES P7
- SH** Shorting Cap. Requires P7
- DDC** DC Connect photocontrol. Requires D4i driver, NTR & NBR
- ALCB** Local Connect Basic. Requires D4i driver & NBR
- ALCF** Local Connect Full. Requires D4i driver & NBR
- ALCC** Local Connect Custom. Requires D4i driver & NBR
- RSDGR** nLight Air motion sensor
Requires ZT driver, NTR & NBR
- UBC** Cellular Network Lighting Control
Requires D4i driver & NTR

Packaging

- (Blank)** Single Unit (Standard)
- JP** Job Pack (54/pallet)

Accessories: House side shields for field installation

- ACM23HSS** House Side Shield for R2 & R3 Optics
- ACM45HSS** House Side Shield for R4 & R5 Optics
- ACMLRLTS** Left/Right Side Light Trespass Shield for Field Installation
- ACMHSSSLTS** House Side/Street Side Light trespass shield for field installation
- ACMCDLSLT** Cul-de-sac light trespass shield for field installation

Arm Accessories

- UMR-XX** 8" Horizontal Arm for Round Pole, Painted to match Fixture
- UMS-XX** 8" Horizontal Arm for Square Pole, Painted to match Fixture
- UMR-GALV** 8" Horizontal Arm for Round Pole Galvanized
- UMS-GALV** 8" Horizontal Arm for Square Pole, Galvanized

ATC Decorative Arms:

- ATBODECOS XX** Decorative Arm for Square Pole Painted to match fixture
- ATBODECOR XX** Decorative Arm for Round Pole Painted to match fixture

Controls Training

- LCTRAIN** Local Connect Remote Training; 1 day training provided by Acuity Services Team



AEL Headquarters, One Lithonia Way, Conyers Georgia 30012
 www.americanelectriclighting.com Phone: 1-866-HOLOPHANE
 Email: TechSupportINF@AcuityBrands.com

© 2023-2024 Acuity Brands Lighting, Inc. All Rights Reserved. ACM Rev. 08/05/24

Warranty Five-year limited warranty. This is the only warranty provided and no other statements in this specification sheet create any warranty of any kind. All other express and implied warranties are disclaimed. Complete warranty terms located at: www.acuitybrands.com/support/warranty/terms-and-conditions

Note: Actual performance may differ as a result of end-user environment and application. All values are design or typical values, measured under laboratory conditions at 25 °C. Specifications subject to change without notice.

Please contact your sales representative for the latest product information.

AutoConnect Series ACM Roadway Lighting

Options Matrix

ACM		Controls									Receptacle Top			Receptacle Bottom		Driver		Other
		AO	PCLL	SH	DDC	ALCB	ALCF	ALCC	RSDGR	UBC	NTR	P7	ZRT	NBR	ZRB	ZT	D4I	BL
Controls	AO	Y	Y	Y	N	N	N	N	N	N	Y	Y	N	Y	N	Y	N	Y
	PCLL	Y	Y	N	N	Y	Y	Y	N	N	N	Y	N	Y	Y	Y	Y	Y
	SH	Y	N	Y	N	Y	Y	Y	N	N	N	Y	N	Y	Y	Y	Y	Y
	DDC	N	N	N	Y	N	N	N	N	N	Y	N	N	Y	N	N	Y	Y
	ALCB	N	Y	Y	N	Y	N	N	N	Y	Y	Y	Y	N	N	Y	N	N
	ALCF	N	Y	Y	N	N	Y	N	N	Y	Y	Y	Y	N	N	N	Y	N
	ALCC	N	Y	Y	N	N	N	N	N	Y	Y	Y	Y	N	N	N	Y	N
	RSDGR	N	N	N	N	N	N	N	N	Y	N	N	Y	N	Y	N	Y	N
Receptacle Top	UBC	N	N	N	N	N	N	N	N	Y	N	N	Y	Y	N	Y	Y	
	NTR	Y	N	N	Y	Y	Y	Y	Y	Y	Y	Y	Y	Y	Y	Y	Y	
	P7	Y	Y	Y	N	Y	Y	Y	N	N	Y	Y	Y	Y	Y	Y	Y	
Receptacle Bottom	ZRT	N	N	N	N	Y	Y	Y	N	N	Y	Y	Y	Y	N	Y	Y	
	NBR	Y	Y	Y	Y	Y	Y	Y	Y	Y	Y	Y	Y	Y	Y	Y	Y	
Driver	ZRB	N	Y	Y	N	N	N	N	N	Y	Y	Y	Y	Y	N	Y	N	
	ZT	Y	Y	Y	N	N	N	N	Y	N	Y	Y	N	Y	N	Y	Y	
	D4I	N	Y	Y	Y	Y	Y	Y	N	Y	Y	Y	Y	Y	Y	Y	Y	

Performance Package / Controls Matrix

Y = Option combination is allowed
N = Option combination is not allowed

ACM (Medium)		Driver		Controls		MISC
		ZT	D4I	AO	RSDGR	HITEMP
P401	MVOLT	Y	Y	Y	Y	Y
	XVOLT277	Y	Y	Y	Y	Y
	XVOLT347	Y	Y	Y	Y	Y
	XVOLT480	Y	Y	Y	Y	Y
P402	MVOLT	Y	Y	Y	Y	Y
	XVOLT277	Y	Y	Y	Y	Y
	XVOLT347	Y	Y	Y	Y	Y
	XVOLT480	Y	Y	Y	Y	Y
P403	MVOLT	Y	Y	Y	Y	Y
	XVOLT277	Y	Y	Y	Y	Y
	XVOLT347	Y	Y	Y	Y	Y
	XVOLT480	Y	Y	Y	Y	Y
P601	MVOLT	Y	Y	Y	Y	Y
	XVOLT277	N	Y	N	N	Y
	XVOLT347	N	Y	N	N	Y
	XVOLT480	N	Y	N	N	Y
P602	MVOLT	Y	Y	Y	Y	Y
	XVOLT277	N	Y	N	N	Y
	XVOLT347	N	Y	N	N	Y
	XVOLT480	N	Y	N	N	Y
P603	MVOLT	Y	Y	Y	Y	Y
	XVOLT277	Y	Y	Y	Y	Y
	XVOLT347	Y	Y	Y	Y	Y
	XVOLT480	Y	Y	Y	Y	Y
P604	MVOLT	Y	Y	Y	Y	Y
	XVOLT277	Y	Y	Y	Y	Y
	XVOLT347	Y	Y	Y	Y	Y
	XVOLT480	Y	Y	Y	Y	Y
P605	MVOLT	Y	Y	Y	Y	Y
	XVOLT277	Y	Y	Y	Y	Y
	XVOLT347	Y	Y	Y	Y	Y
	XVOLT480	Y	Y	Y	Y	Y
P606	MVOLT	Y	Y	Y	Y	Y
	XVOLT277	Y	Y	Y	Y	Y
	XVOLT347	Y	Y	Y	Y	Y
	XVOLT480	Y	Y	Y	Y	Y
P607	MVOLT	Y	Y	Y	Y	Y
	XVOLT277	Y	Y	Y	Y	Y
	XVOLT347	Y	Y	Y	Y	Y
	XVOLT480	Y	Y	Y	Y	Y
P608	MVOLT	Y	Y	Y	Y	Y
	XVOLT277	Y	Y	Y	Y	Y
	XVOLT347	Y	Y	Y	Y	Y
	XVOLT480	Y	Y	Y	Y	Y
P609	MVOLT	Y	Y	Y	Y	N
	XVOLT277	Y	Y	Y	Y	N
	XVOLT347	Y	Y	Y	Y	N
	XVOLT480	Y	Y	Y	Y	N

D4I Driver Option Defaults					
Setting	Receptacle Top	Receptacle Bottom	Embedded Control	Default Value	Alternate Values
DALI Power Bus	NTR	NBR	none	ON	<i>Off</i>
	NTR	NBR	ALCB / ALCF / ALCC	ON	<i>none</i>
	NTR	NBR	DDC	ON	<i>none</i>
	NTR	ZRB	none	ON	<i>Off</i>
	NTR	NBR	UBC	ON	<i>none</i>
	NTR	ZRB	UBC	ON	<i>none</i>
	P7	NBR	none	OFF	<i>On</i>
	P7	NBR	ALCB / ALCF / ALCC	ON	<i>none</i>
	P7	ZRB	none	OFF	<i>On</i>
	ZRT	NBR	none	ON	<i>Off</i>
	ZRT	NBR	ALCB / ALCF / ALCC	ON	<i>none</i>
	ZRT	NBR	DDC	ON	<i>none</i>
	ZRT	ZRB	none	ON	<i>Off</i>
Dimming Type	All	All	Any	LINEAR	<i>Logarithmic</i>
24V AUX	All	All	Any	ON (Not Connected)	<i>none</i>
Scenes Data	All	All	Any	0 (blank)	<i>01-255</i>

*To program different settings, consult factory; RFD is required



AEL Headquarters, One Lithonia Way, Conyers Georgia 30012
 www.americanelectricleighting.com Phone: 1-866-HOLOPHANE
 Email: TechSupportINF@AcuityBrands.com
 © 2023-2024 Acuity Brands Lighting, Inc. All Rights Reserved. ACM Rev. 08/05/24

Warranty Five-year limited warranty. This is the only warranty provided and no other statements in this specification sheet create any warranty of any kind. All other express and implied warranties are disclaimed. Complete warranty terms located at: www.acuitybrands.com/support/warranty/terms-and-conditions

Note: Actual performance may differ as a result of end-user environment and application. All values are design or typical values, measured under laboratory conditions at 25 °C. Specifications subject to change without notice.

Please contact your sales representative for the latest product information.

AutoConnect Series ACM Roadway Lighting

PERFORMANCE PACKAGE

ACM Medium	Distribution	Input Watts	2700K		3000K		4000/5000K		LLD @ 25°C		
			Lumens	LPW	Lumens	LPW	Lumens	LPW	50k Hours	75k Hours	100k Hours
P401	R2	46	6,687	145	6,874	149	7,398	161	0.92	0.89	0.86
	R3		6,715	146	6,966	151	7,429	162			
	R4		6,627	144	6,874	149	7,332	159			
	R5		6,804	148	7,207	157	7,527	164			
P402	R2	57	8,003	140	8,260	145	8,854	155	0.92	0.89	0.86
	R3		8,074	142	8,490	149	8,932	157			
	R4		7,957	140	8,260	145	8,804	154			
	R5		8,239	145	8,672	152	9,115	160			
P403	R2	67	9,172	137	9,494	142	10,147	151	0.92	0.89	0.86
	R3		9,211	137	9,569	143	10,190	152			
	R4		9,197	137	9,494	142	10,175	152			
	R5		9,447	141	10,003	149	10,451	156			
P601	R2	38	5,823	153	6,035	159	6,442	170	0.92	0.89	0.86
	R3		5,845	154	6,036	159	6,466	170			
	R4		5,817	153	5,941	156	6,436	169			
	R5		5,873	155	6,213	163	6,497	171			
P602	R2	48	7,292	152	7,589	158	8,067	168	0.92	0.89	0.86
	R3		7,343	153	7,583	158	8,124	169			
	R4		7,320	153	7,540	157	8,098	169			
	R5		7,492	156	7,791	162	8,289	173			
P603	R2	61	8,834	145	9,184	151	9,773	160	0.92	0.89	0.86
	R3		8,900	146	9,147	150	9,846	161			
	R4		8,883	146	9,159	150	9,827	161			
	R5		9,147	150	9,522	156	10,120	166			
P604	R2	70	10,061	144	10,461	149	11,130	159	0.92	0.89	0.86
	R3		10,134	145	10,235	146	11,212	160			
	R4		10,113	144	10,382	148	11,188	160			
	R5		10,394	148	10,795	154	11,499	164			
P605	R2	84	11,759	140	12,171	145	13,008	155	0.92	0.89	0.86
	R3		11,835	141	11,952	142	13,093	156			
	R4		11,974	143	12,145	145	13,247	158			
	R5		12,160	145	12,566	150	13,453	160			
P606	R2	94	12,799	136	13,419	143	14,159	151	0.92	0.89	0.86
	R3		13,021	139	13,264	141	14,406	153			
	R4		12,995	138	13,392	142	14,376	153			
	R5		13,387	142	13,807	147	14,810	158			
P607	R2	107	14,301	134	14,921	139	15,821	148	0.92	0.89	0.86
	R3		14,469	135	14,927	140	16,008	150			
	R4		14,478	135	14,946	140	16,017	150			
	R5		14,921	139	15,419	144	16,507	154			
P608	R2	118	15,387	130	15,965	135	17,023	144	0.92	0.89	0.86
	R3		15,598	132	16,074	136	17,265	146			
	R4		15,607	132	16,044	136	17,266	146			
	R5		15,979	135	16,506	140	17,678	150			
P609	R2	127	16,213	128	16,875	133	17,937	141	0.92	0.89	0.86
	R3		16,443	129	16,618	131	18,191	143			
	R4		16,417	129	16,695	131	18,163	143			
	R5		16,804	132	17,334	136	18,591	146			

LLD Multiplier	15C	20C	25C	30C	35C	40C
	1.02	1.01	1.00	0.99	0.98	0.97

To calculate the LLD for a temperature other than 25°C, multiply the LLD @ 25°C (shown in the performance package table) by the LLD multiplier for the selected temperature.



AEL Headquarters, One Lithonia Way, Conyers Georgia 30012
 www.americanelectriclighting.com Phone: 1-866-HOLOPHANE
 Email: TechSupportINF@AcuityBrands.com
 © 2023-2024 Acuity Brands Lighting, Inc. All Rights Reserved. ACM Rev. 08/05/24

Warranty Five-year limited warranty. This is the only warranty provided and no other statements in this specification sheet create any warranty of any kind. All other express and implied warranties are disclaimed. Complete warranty terms located at: www.acuitybrands.com/support/warranty/terms-and-conditions

Note: Actual performance may differ as a result of end-user environment and application. All values are design or typical values, measured under laboratory conditions at 25°C. Specifications subject to change without notice.

Please contact your sales representative for the latest product information.

AutoConnect Series ACM

Roadway Lighting

B.U.G. Ratings

ACM Medium	Distribution	2700K			3000K			4000/5000K		
		B	U	G	B	U	G	B	U	G
P401	R2	2	0	2	2	0	2	2	0	2
	R3	1	0	2	1	0	2	2	0	2
	R4	1	0	2	2	0	2	2	0	2
	R5	3	0	3	3	0	3	3	0	3
P402	R2	2	0	2	2	0	2	2	0	2
	R3	2	0	2	2	0	2	2	0	2
	R4	2	0	2	2	0	2	2	0	2
P403	R2	2	0	2	2	0	2	2	0	2
	R3	2	0	2	2	0	2	2	0	2
	R4	2	0	2	2	0	2	2	0	2
P601	R2	1	0	1	1	0	1	2	0	2
	R3	1	0	1	1	0	1	1	0	1
	R4	1	0	2	1	0	2	1	0	2
	R5	3	0	3	3	0	3	3	0	3
P602	R2	2	0	2	2	0	2	2	0	2
	R3	1	0	2	1	0	2	2	0	2
	R4	2	0	2	2	0	2	2	0	2
	R5	3	0	3	3	0	3	3	0	3
P603	R2	2	0	2	2	0	2	2	0	2
	R3	2	0	2	2	0	2	2	0	2
	R4	2	0	2	2	0	2	2	0	2
	R5	3	0	3	4	0	4	4	0	4
P604	R2	2	0	2	2	0	2	2	0	2
	R3	2	0	2	2	0	2	2	0	2
	R4	2	0	2	2	0	2	2	0	3
	R5	4	0	4	4	0	4	4	0	4
P605	R2	2	0	2	2	0	2	3	0	3
	R3	2	0	2	2	0	2	2	0	2
	R4	2	0	3	2	0	3	2	0	3
	R5	4	0	4	4	0	4	4	0	4
P606	R2	3	0	3	3	0	3	3	0	3
	R3	2	0	2	2	0	2	2	0	2
	R4	2	0	3	2	0	3	3	0	3
	R5	4	0	4	4	0	4	4	0	4
P607	R2	3	0	3	3	0	3	3	0	3
	R3	2	0	2	2	0	2	3	0	3
	R4	3	0	3	3	0	3	3	0	3
	R5	4	0	4	4	0	4	4	0	4
P608	R2	3	0	3	3	0	3	3	0	3
	R3	3	0	3	3	0	3	3	0	3
	R4	3	0	3	3	0	3	3	0	3
	R5	4	0	4	4	0	4	4	0	4
P609	R2	3	0	3	3	0	3	3	0	3
	R3	3	0	3	3	0	3	3	0	3
	R4	3	0	3	3	0	3	3	0	3
	R5	4	0	4	4	0	4	4	0	4



AEL Headquarters, One Lithonia Way, Conyers Georgia 30012
 www.americanelectriclighting.com Phone: 1-866-HOLOPHANE
 Email: TechSupportINF@AcuityBrands.com

© 2023-2024 Acuity Brands Lighting, Inc. All Rights Reserved. ACM Rev. 08/05/24

Warranty Five-year limited warranty. This is the only warranty provided and no other statements in this specification sheet create any warranty of any kind. All other express and implied warranties are disclaimed. Complete warranty terms located at: www.acuitybrands.com/support/warranty/terms-and-conditions

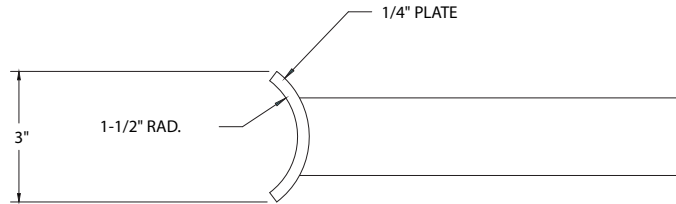
Note: Actual performance may differ as a result of end-user environment and application. All values are design or typical values, measured under laboratory conditions at 25 °C. Specifications subject to change without notice.

Please contact your sales representative for the latest product information.

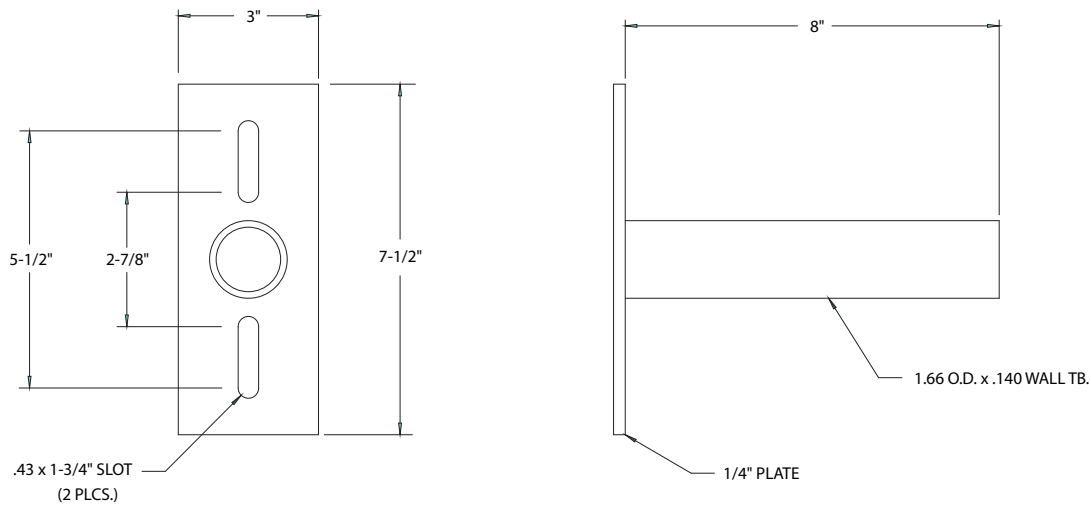
AutoConnect Series ACM Roadway Lighting

UMR POLE ADAPTOR

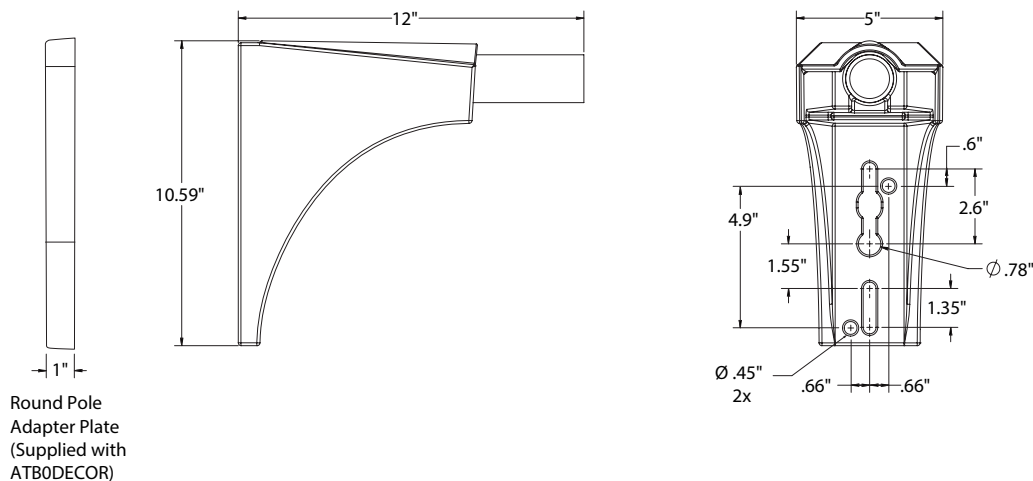
RECOMMENDED FOR USE WITH POLES OF 4" DIAMETER OR SMALLER



UMS POLE ADAPTOR



ATC (Autoconnect) DECORATIVE ARMS



Warranty Five-year limited warranty. This is the only warranty provided and no other statements in this specification sheet create any warranty of any kind. All other express and implied warranties are disclaimed. Complete warranty terms located at: www.acuitybrands.com/support/warranty/terms-and-conditions

Note: Actual performance may differ as a result of end-user environment and application. All values are design or typical values, measured under laboratory conditions at 25 °C. Specifications subject to change without notice.

Please contact your sales representative for the latest product information.



AEL Headquarters, One Lithonia Way, Conyers Georgia 30012
www.americanelectricalighting.com Phone: 1-866-HOLOPHANE
Email: TechSupportINF@AcuityBrands.com

© 2023-2024 Acuity Brands Lighting, Inc. All Rights Reserved. ACM Rev. 08/05/24