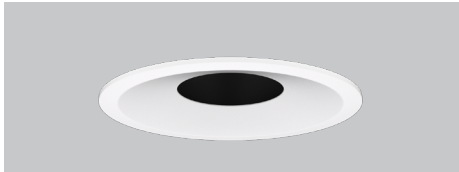


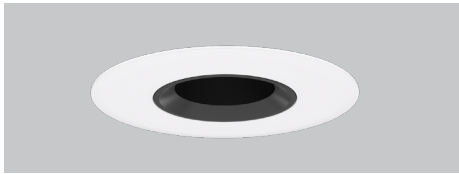
TRIM STYLES



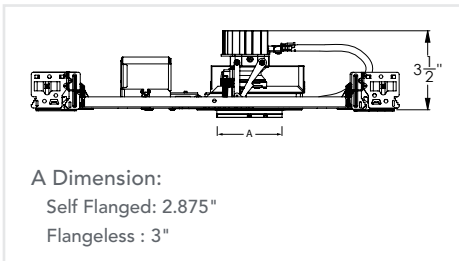
Reflectors



Bevel



Pinhole



FEATURES

SPOT ON! OPTICS

- 45° Visual cutoff to source and source image
- Field Interchangeable TIR Optics in 11 distributions

TRU-LINE™ PRECISION INSTALLATION

- Patented aperture translation features +/- 1/2" of translation ensures perfect fixture-to-fixture alignment (US Patent 8,277,090)
- Robust Pro-VI™ bar hangers provide robust, non-binding action. (US Patent 8,038,113)

EXCEPTIONAL PERFORMANCE FROM 2-INCH APERTURE

- Up to 1505 lumens delivered!
- Exceptionally consistent color with < 2SDCM
- Excellent color rendition with 90+ CRI
- Comprehensive family of Downlight, Adjustable Accent and Wall Wash Luminaires



PERFORMANCE

Lumen Package	Watts in	Delivered Lumens	Efficacy (LPW)
08LM	10	948	95
12LM	15	1339	89
15LM	17	1505	89

Performance with 2DP trim at 3000K | 80CRI  
Actual performance may differ as a result of end-user environment and application.  
All values are design or typical values, measured under laboratory conditions at 25°C

FLANGE STYLES



Self-Flanged



Flangeless (Gypsum)







Flangeless (Wood | Stone | Tile)



ORDERING INFORMATION

EXAMPLE: AX2 D G2 12LM 30K 90CRI 24D FPC 120 CP ICAT 2DBV BD WHSF

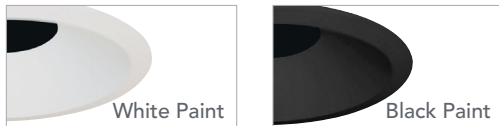
Housing Style	Lumens	CCT	CRI	Beam	Driver	Voltage <sup>2</sup>	Ratings	Options
AX2 D G2 New Construction Downlight	08LM 800 lumens	27K 2700K	80CRI 90CRI <sup>1</sup>	15D 15° beam	ZT 0-10V   1% min FPC Phase Cut Dimming   1% min	120 MVOLT (120-277)	(blank) Non-IC Rated CP ICAT <sup>3</sup> IC Rated, Air-Tight, Chicago Plenum	NLIGHT <sup>4</sup> nLight Dimming (must mount remotely) E6WT20R <sup>5</sup> Emergency 6W battery pack with remote test switch, T20 compliant
	12LM 1200 lumens	30K 3000K		20D 20° beam				
AX2 DR G2 Remodel Downlight	15LM 1500 lumens	35K 3500K	24D 24° beam					
		40K 4000K	30D 30° beam					
			35D 35° beam					
			40D 40° beam					
			45D 45° beam					
			50D 50° beam					
			55D 55° beam					
	60D 60° beam							
		60D20D 60°x20°						

Downlight Trim	Reflector Finish	Flange Style	Lens   Environment	Ceiling Installation
<b>Reflectors</b> <b>2DP</b> Deep Downlight Reflector  <b>2DH</b> Hyperbolic Reflector 	<b>W</b> White Paint <b>CD</b> Clear Diffuse <b>CS</b> Clear Specular <b>BS</b> Black Specular <b>WTD</b> Wheat Diffuse	<b>Flanged</b> <b>SF</b> Self Flanged (same finish as reflector) <b>WHSF</b> Self Flanged, White Painted Flange <b>Flangeless<sup>6</sup></b> <b>FM</b> Flangeless	<b>(blank)</b> Open   Damp Location <b>WET<sup>7</sup></b> Lensed   Wet Location	<b>NEW CONSTRUCTION</b> <b>Flanged</b> <b>(blank)</b> Ceiling Thickness 0.50" - 0.75" <b>CTA2/120</b> Ceiling Thickness 0.75" - 1.20" <b>CTA2/150</b> Ceiling Thickness 1.20" - 1.50"  <b>Flangeless (Gypsum)</b> <b>FMA2/075</b> Ceiling Thickness 0.50" - 0.75" <b>FMA2/120</b> Ceiling Thickness 0.75" - 1.20" <b>FMA2/150</b> Ceiling Thickness 1.20" - 1.50"  <b>Flangeless (Wood   Stone   Tile)</b> <b>(blank)</b> Ceiling Thickness 0.50" - 0.75" <b>CTA2/120</b> Ceiling Thickness 0.75" - 1.20" <b>CTA2/150</b> Ceiling Thickness 1.20" - 1.50"
<b>Bevel</b> <b>2DBV</b> Downlight Bevel  <b>Pinhole</b> <b>2DPIN</b> 1 1/4" Downlight Pinhole 	<b>Upper Reflector (Shield) Finish</b> <b>BD</b> Black Diffuse	<b>Trim Finish &amp; Flange Style</b> <b>Flanged</b> <b>WHSF</b> White, Flanged <b>BLSF</b> Black, Flanged <b>Flangeless<sup>6</sup></b> <b>WHFM</b> White, Flangeless <b>BLFM</b> Black, Flangeless	<b>(blank)</b> Open   Damp Location <b>WET</b> Lensed   Wet Location	<b>REMODEL</b> <b>Flanged</b> <b>(blank)</b> Ceiling Thickness 0.5" - 1.5"  <b>Flangeless (Gypsum)</b> <b>FMA2R</b> Ceiling Thickness 0.5"-1.5"

REFLECTOR FINISHES



BEVEL & PINHOLE FINISHES



ORDERING NOTES

- 90CRI and 95CRI available on 27K and 30K only.
- MVOLT standard on ZT. 120 standard on FPC.
- CP ICAT available on new construction only.
- nLight compatible with ZT only.
- Not available with Remodel, CP ICAT or NLIGHT. Top access required.
- Flangeless trims in drywall ceilings must specify ceiling installation (FMA2 for New Construction ; FMA2R for Remodel). Flangeless for Wood, Stone, Tile available for New Construction only.
- WET not available on 2DH.



ACCESSORIES

Replacement Optics	Optional Installation Accessories
<p><b>Static White Optics</b></p> <p>2AXG2OPT/15D 15° Beam</p> <p>2AXG2OPT/20D 20° Beam</p> <p>2AXG2OPT/24D 24° Beam</p> <p>2AXG2OPT/30D 30° Beam</p> <p>2AXG2OPT/35D 35° Beam</p> <p>2AXG2OPT/40D 40° Beam</p> <p>2AXG2OPT/45D 45° Beam</p> <p>2AXG2OPT/50D 50° Beam</p> <p>2AXG2OPT/55D 55° Beam</p> <p>2AXG2OPT/60D 60° Beam</p> <p>2AXG2OPT/60D20D 60°x20° Beam</p>	<p><b>Bar Hangers</b></p> <p>HB1 Juno Real Nail® 3 Bar Hangers</p> <p>HB26 26" C-Channel Bar Hangers</p> <p>HB50 50" C-Channel Bar Hangers</p> <p>LB27 27" Linear Bar Hangers</p> <p><i>Note: Fixture supplied with Pro-VI™ Bar Hangers</i></p> <p><b>Emergency Inverter</b></p> <p>IIS 35 HE Up to 35W Remote Mount Micro Inverter</p>



PRODUCT SPECIFICATIONS

FIELD INTERCHANGEABLE LED LIGHT ENGINE

- <2SDCM Binning
- 2700K | 3000K | 3500K | 4000K CCT
- 80+ CRI available for all CCTs
- 90+ CRI available for 2700K & 3000K
- Future proof and easy to maintain - serviceable from below the ceiling

SPOT-ON! PRECISION OPTICS

- 45° visual cutoff to source and source image
- Field Interchangeable TIR Optics from 15° FWHM to 60° FWHM provide smooth, striation-free beams
- UGR is zero for fixtures aimed at nadir with a cut-off equal to or less than 60deg, per CIE 117-1996 Discomfort Glare in Interior Lighting. UGR FAQs

HIGH QUALITY TRIMS

- Available with die cast bevels and pinholes, and spun aluminum reflectors.
- Available in Self Flanged and Flangeless; Flangeless compatible with gypsum or solid ceiling materials (wood/stone/tile; New Construction only).
- Must Specify FMA2 for New Construction gypsum flangeless installation or FMA2R for Remodel gypsum flangeless installation

FIELD REPLACEABLE DRIVER

- Accommodates 120-277V input and multiple control protocols
- Dims without perceived flicker to 1% depending on driver specified
- Field replaceable without tools from above or below the ceiling
- >0.9 Power Factor

BUY AMERICAN ACT

- This product is assembled in the USA and meets the Buy America(n) government procurement requirements under FAR, DFARS and DOT regulations.
- Please refer to [www.acuitybrands.com/resources/buy-american](https://www.acuitybrands.com/resources/buy-american) for additional information.

WARRANTY & RATED LIFE

- LED is rated for >50,000 hours at 70% lumen maintenance
- 5-year limited warranty. This is the only warranty provided and no other statements in this specification sheet create any warranty of any kind. All other express and implied warranties are disclaimed. Complete warranty terms located at: <https://www.acuitybrands.com/support/warranty/terms-and-conditions>

EMERGENCY BATTERY

- Provides a minimum of 400 lumens (3000K, 80CRI) for minimum duration of 90 minutes.
- Top Access Required; Self-Testing
- Supplied with Class-2 plenum rated remote test switch
- CEC T20 Compliant

INSTALLATION

- New construction or remodel (install from below) are available.
- New Construction features patented (US Patent 8,038,113) Pro-VI™ bar hanger system compatible with wood stud and T-bar
- ICAT housing also features vertically adjustable mounting brackets (butterfly brackets)
- Centerline indicators on New Construction plaster frame and patented (US Patent 8,277,090) Tru-Line™ Platform featuring +/- 1/2" translation aids fixture alignment after installation, prior to finishing the ceiling.

JUNCTION BOX

- ICAT housing includes (2) 1/2" knockouts in access plate, and is compatible with rigid conduit and flexible supply
- Non-IC housings include (2) 1/2" knockouts with pry-out slots in junction box and are compatible with flexible electrical supply only
- Quick connect electrical connectors for field connections.

CODES & LABELS

- UL & cUL listed for damp location. Listed for wet location with WET option.
- ICAT housing meets energy code Air Leakage requirements per ASTM E283
- ENERGY STAR® certified with select trims and housings
- Can be used to comply with Title 24, Part 6 with select trims and ICAT housings. Reference T24 JA-8 database for list of compliant housings and trims.
- ICAT housings are Chicago Plenum (CCEA) approved standard
- ICAT housings are rated for direct contact with insulation, including spray foam insulation with R-Value of 3.7 per inch or less.
- Union made

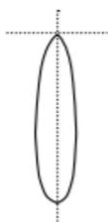
CEILING THICKNESS

- Accommodates 1/2" to 1 1/2" ceiling thickness
- Vertical aiming in ceiling 1" – 1 1/2" is reduced from 40° to 25°

A+ CAPABLE LUMINAIRE

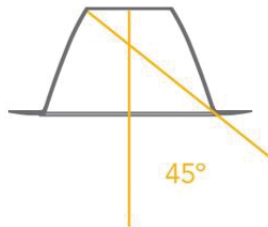
- This item is an A+ capable luminaire, which has been designed and tested to provide consistent color appearance and out-of-the-box control compatibility with simple commissioning, when used with Acuity Brands controls products.
- All configurations of this luminaire are calibrated and tested to meet the Acuity Brand's specification for chromatic consistency - including color rendering, color fidelity and color temperature tolerance around standard CIE chromaticity coordinates.
- To learn more about Acuity A+ standards, specifications and testing, visit [www.acuitybrands.com/aplus](https://www.acuitybrands.com/aplus).

Spot On! Precision Optics



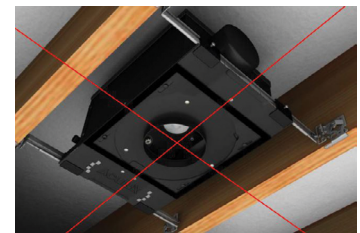
Smooth striation-free beam with high centerbeam distribution

Exceptional Brightness and Glare Control



45° visual cutoff to source and source image

Tru-Line™ Precision Installation



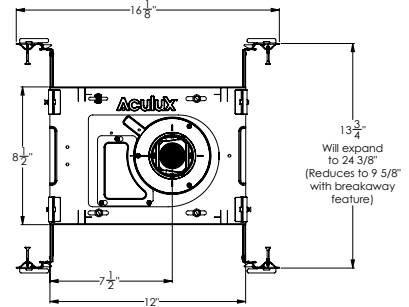
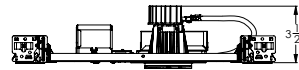
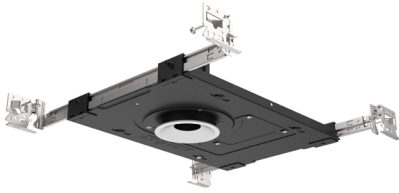
Pro-VI™ bar hangers, coupled with +/-1/2" aperture translation makes perfect installation achievable

DIMENSIONS

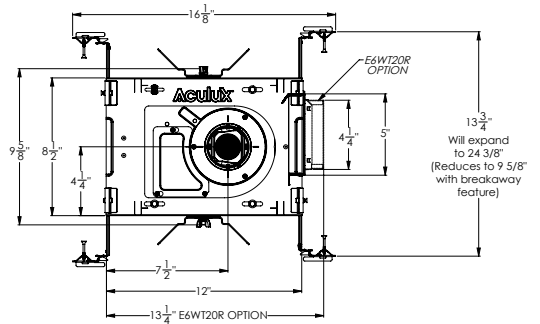
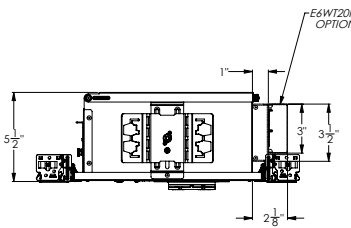
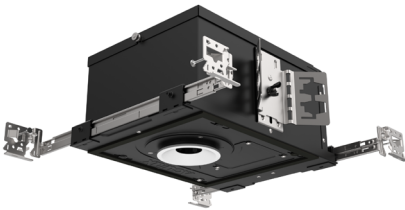
NEW CONSTRUCTION DOWNLIGHT (AX2 D)

Ceiling Cutout: 2 7/8" (Refer to installation instructions for flangeless ceiling cutout)

Non-ICAT:



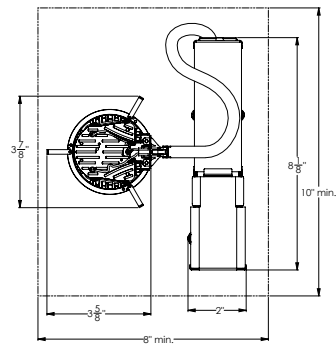
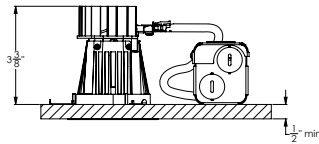
ICAT / Emergency Battery\*:



\* Note: E6WT20R option is non-IC rated.

REMODEL DOWNLIGHT (AX2 DR)

Ceiling Cutout: 2.953" (Refer to installation instructions for flangeless ceiling cutout)



ELECTRICAL SPECIFICATIONS

LUMEN PACKAGE	08LM			12LM			15LM		
	FPC	ZT		FPC	ZT		FPC	ZT	
Voltage	120	120	277	120	120	277	120	120	277
Input Power	10.0	9.9	10.1	14.7	14.3	14.3	17.3	16.5	16.4
Input Current	0.08	0.08	0.04	0.12	0.12	0.06	0.14	0.14	0.06
Frequency	50/60Hz			50/60Hz			50/60Hz		
Power Factor	0.99	0.99	0.99	0.99	0.99	0.92	0.99	0.99	0.92











## DIMMER COMPATIBILITY

### Phase Dimming (FPC Driver)

#### Incandescent, Magnetic Low Voltage and Electronic Low Voltage Dimming

- Dimming range of 100% down to as low as 1% with a minimum load of one fixture
- Dimming range and maximum rated load vary depending on dimmer type and model. See maximum load calculations below to identify max number of luminaires per dimmer.

#### Incandescent (INC) and Magnetic Low Voltage (MLV)

Example: Fixture Rating = 13W; Dimmer Rating = 600W

Equivalent Incandescent Load (EIL) = 50%

$(600/13W) \times 0.5 = 23$  Fixtures per Dimmer

#### Electronic Low Voltage (ELV)

Example: Fixture Rating = 13W; Dimmer Rating = 600W

Equivalent Incandescent Load (EIL) = 75%

$(600/13W) \times 0.75 = 34$  Fixtures per Dimmer

### INCANDESCENT, MLV, ELV WALL DIMMERS

Manf.	Product Family	Series	Type	Min Light (%)
Lutron	Glyder	GLV*	MLV	2
Lutron	Rotary	D	INC	1
Lutron	Diva	DVLV*	MLV	4
Lutron	Diva	DV	INC	1
Lutron	Diva	DVCL	INC	2
Lutron	Nova T	NT	INC	1
Lutron	Nova T	NTLV	MLV	3
Lutron	Skylark	SLV	MLV	3
Lutron	RadioRA2	10ND	INC	1
Leviton	SureSlide	6613*	MLV	2
Leviton	SureSlide	6633	INC	1
Leviton	IllumaTech	IPL06-10Z*	INC	2
Lutron	Ceana	CNLV	MLV	3
Lutron	Skylark	S	INC	2
Insteon	Dimmer Switch	2477D	INC	3
Insteon	Keypad Dimmer	2334-222	INC	3
Lutron	Nova T	NTELV*	ELV	3
Lutron	Diva	DVELV*	ELV	2
Lutron	Maestro	MAELV*	ELV	3
Leviton	Vizia	VPE06-1LX*	ELV	2
Leviton	Illumatech	IPE04*	ELV	2
Lutron	Skylark	SELV	ELV	2
Lutron	Faetra	FAELV	ELV	3
Lutron	Spacer	SPSELV	ELV	3
Lutron	RadoRA2	RRD-6NA	PHA	1
Control4	Adaptive Phase Dimmer	C4-APD120	PHA	2

### INTEGRATED CONTROL SYSTEMS

Manf.	PRODUCT FAMILY	SERIES	TYPE	MIN LIGHT (%)
Lutron	GrafikEye QS	PHPM-PA*	PHA	1
Lutron	HomeWorks QS	PHPM-PA*	PHA	1
Lutron	HomeWorks QS	HW-RPM-4A	PHA	1
Lutron	LCP128	PHPM-PA*	PHA	1
Lutron	LCP128	LP-RPM-4A	PHA	1
Lutron	LP	PHPM-PA*	PHA	1
Lutron	LP	LP-RPM-4A	PHA	1
Insteon	Micro Module Dimmer	2442-222	INC	1
Control4	8 CH Dimmer	C4-DIN-8DIM-E	PHA	1

\*: Aculux recommended dimmers


**0-10V Dimming (ZT Driver)**

- Dimmable with the use of most 0-10V protocol dimmers

Manf.	Product Family	Series	Type	Fixtures per Control	Min Light (%)
Leviton	IllumaTech	IP710-DLX*	0-10V	1-14	4
Lutron	Energi Tripak	RMJ-5T-DV-B*	0-10V	1-24	8
Wattstopper	DLM	LMRC-211*	0-10V	1-40	1
Crestron	GreenLight	DIN-4DIMFLV4*	0-10V	1-24	7
Lutron	GrafikEyeQS	GRX-TVI	0-10V	1-80	1
Lutron	HomeWorksQS	GRX-TVI	0-10V	1-80	1
Lutron	HomeWorksQS	GRX-TVM2*	0-10V	1-20	4
Lutron	Nova T	NTFTV*†	0-10V	1-15	7
Lutron	Nova T	NTSTV-DV*	0-10V	1-15	7
Lutron	Nova	NFTV*†	0-10V	1-15	7
Acuity	SensorSwitch	WSX	0-10V	1-20	7
Acuity	nLight	nPP16D*	0-10V	1-40	3
Insteon	Ballast	Dimmer	0-10V	1-24	3

\* Aculux recommended dimmers

† Require a separate relay module to turn fixture on/off