



TRIM STYLES



Angle-Cut Reflector



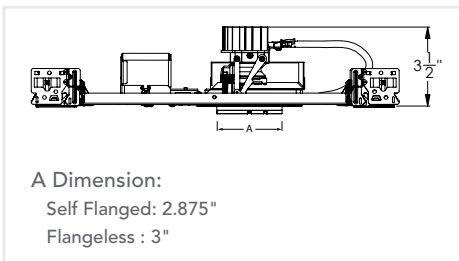
Bevel



Pinholes



Wall Wash



FEATURES

SPOT ON! OPTICS

- Field Interchangeable TIR Optics in 11 distributions

ACU-AIM™ PRECISION AIMING

- Precision geared hot-aiming provides 365° horizontal, 40° vertical aiming via Philips screwdriver
- Optimized center beam optics translates center of the beam through the center of the aperture resulting in low aperture brightness

TRU-LINE™ PRECISION INSTALLATION

- Patented aperture translation features +/- 1/2" of translation ensuring perfect fixture-to-fixture alignment (US Patent 8,277,090)
- Robust Pro-VI™ bar hangers provide robust, non-binding action. (US Patent 8,038,113)

EXCEPTIONAL PERFORMANCE FROM 2-INCH APERTURE

- Up to 1495 lumens, 10,414 CBCP delivered!
- Exceptionally consistent color with < 2SDCM
- Excellent color rendition with 90+ CRI
- Comprehensive family of Downlight, Adjustable Accent and Wall Wash Luminaires



PERFORMANCE

Lumen Package	Watts in	Delivered Lumens	Efficacy (LPW)	MCBCP
08LM	10	942	94	6561
12LM	15	1331	89	9268
15LM	17	1495	88	10414

Performance with 2AC trim at 3000K | 80CRI

Actual performance may differ as a result of end-user environment and application. All values are design or typical values, measured under laboratory conditions at 25°C

FLANGE STYLES



Self-Flanged



Flangeless (Gypsum)






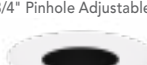
Flangeless (Wood | Stone | Tile)




ORDERING INFORMATION

EXAMPLE: AX2 A G2 12LM 30K 90CRI 24D FPC 120 CP ICAT 2ABV BD WHSF

Housing Style	Lumens	CCT	CRI	Beam	Driver	Voltage <sup>2</sup>	Ratings	Options
AX2 A G2 New Construction Adjustable & Wall Wash	08LM	800 lumens	27K 2700K 30K 3000K	80CRI 90CRI <sup>1</sup>	15D 15° beam 20D 20° beam 24D 24° beam 30D 30° beam 35D 35° beam 40D 40° beam 45D 45° beam 50D 50° beam 55D 55° beam 60D 60° beam 60D20D 60°x20°	120 MVOLT (120-277)	(blank) Non-IC Rated CP ICAT <sup>3</sup> IC Rated, Air-Tight, Chicago Plenum	NLIGHT <sup>4</sup> nLight Dimming (must mount remotely) E6WT20R <sup>5</sup> Emergency 6W battery pack with remote test switch, T20 compliant
	12LM	1200 lumens	35K 3500K 40K 4000K					
	15LM	1500 lumens						
AX2 AR G2 Remodel Adjustable & Wall Wash								

Adjustable Trim	Reflector Finish	Flange Style	Lens   Environment
<b>Reflector</b> 2AC Angle Cut Reflector 	W White Paint CD Clear Diffuse CS Clear Specular BS Black Specular WTD Wheat Diffuse	<b>Flanged</b> SF Self Flanged (same finish as reflector) WHSF Self Flanged, White Painted Flange <b>Flangeless<sup>6</sup></b> FM Flangeless	(blank) Open   Damp Location WET Lensed   Wet Location
<b>Bevel</b> 2ABV Bevel Adjustable 	<b>Upper Reflector (Shield) Finish</b> BD Black Diffuse	<b>Trim Finish &amp; Flange Style</b> <b>Flanged</b> WHSF White, Flanged BLSF Black, Flanged <b>Flangeless<sup>6</sup></b> WHFM White, Flangeless BLFM Black, Flangeless	(blank) Open   Damp Location WET Lensed   Wet Location
<b>Pinholes</b> 2APIN 1 1/4" Pinhole Adjustable 			
2APINLG 1 3/4" Pinhole Adjustable 			

Ceiling Installation
<b>NEW CONSTRUCTION</b> <b>Flanged</b> (blank) Ceiling Thickness 0.50" - 0.75" CTA2/120 Ceiling Thickness 0.75" - 1.20" CTA2/150 Ceiling Thickness 1.20" - 1.50"  <b>Flangeless (Gypsum)</b> FMA2/075 Ceiling Thickness 0.50" - 0.75" FMA2/120 Ceiling Thickness 0.75" - 1.20" FMA2/150 Ceiling Thickness 1.20" - 1.50"  <b>Flangeless (Wood   Stone   Tile)</b> (blank) Ceiling Thickness 0.50" - 0.75" CTA2/120 Ceiling Thickness 0.75" - 1.20" CTA2/150 Ceiling Thickness 1.20" - 1.50"
<b>REMODEL</b> <b>Flanged</b> (blank) Ceiling Thickness 0.5" - 1.5"  <b>Flangeless (Gypsum)</b> FMA2R Ceiling Thickness 0.5"-1.5"

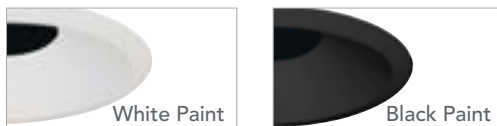
Wall Wash Trim	Reflector Finish	Flange Style	Environment
<b>Wall Wash</b> 2WW Architectural Wall Wash 	W White Paint CD Clear Diffuse CS Clear Specular BS Black Specular WTD Wheat Diffuse	<b>Flanged</b> SF Self Flanged (same finish as reflector) WHSF Self Flanged, White Painted Flange <b>Flangeless<sup>6</sup></b> FM Flangeless	(blank) Damp Location

\*Must specify 24D beam with wall wash trim

REFLECTOR & WALL WASH FINISHES



BEVEL & PINHOLE FINISHES





**ORDERING NOTES**

- 1 90CRI available on 27K and 30K only.
- 2 MVOLT standard on ZT. 120 standard on FPC.
- 3 CP ICAT available on new construction only.
- 4 nLight compatible with ZT only.
- 5 Not available with Remodel, CP ICAT or NLIGHT. Top access required.
- 6 Flangeless trims in drywall ceilings must specify ceiling installation (FMA2 for New Construction; FMA2R for Remodel). Flangeless for Wood, Stone, Tile available for New Construction only).

**ACCESSORIES**

Replacement Optics	Optional Installation Accessories
<p><b>Static White Optics</b></p> <p>2AXG2OPT/15D 15° Beam</p> <p>2AXG2OPT/20D 20° Beam</p> <p>2AXG2OPT/24D 24° Beam</p> <p>2AXG2OPT/30D 30° Beam</p> <p>2AXG2OPT/35D 35° Beam</p> <p>2AXG2OPT/40D 40° Beam</p> <p>2AXG2OPT/45D 45° Beam</p> <p>2AXG2OPT/50D 50° Beam</p> <p>2AXG2OPT/55D 55° Beam</p> <p>2AXG2OPT/60D 60° Beam</p> <p>2AXG2OPT/60D20D 60°x20° Beam</p>	<p><b>Bar Hangers</b></p> <p>HB1 Juno Real Nail® 3 Bar Hangers</p> <p>HB26 26" C-Channel Bar Hangers</p> <p>HB50 50" C-Channel Bar Hangers</p> <p>LB27 27" Linear Bar Hangers</p> <p><i>Note: Fixture supplied with Pro-VI™ Bar Hangers</i></p> <p><b>Emergency Inverter</b></p> <p>IIS 35 HE Up to 35W Remote Mount Micro Inverter</p>



PRODUCT SPECIFICATIONS

FIELD INTERCHANGEABLE LED LIGHT ENGINE

- <2SDCM Binning
- 2700K | 3000K | 3500K | 4000K CCT
- 80+ CRI available for all CCTs
- 90+ CRI available for 2700K & 3000K
- Future proof and easy to maintain - serviceable from below the ceiling

SPOT-ON! PRECISION OPTICS

- Field Interchangeable TIR Optics from 15° FWHM to 60° FWHM provide smooth, striation-free beams
- UGR is zero for fixtures aimed at nadir with a cut-off equal to or less than 60°, per CIE 117-1996 Discomfort Glare in Interior Lighting. [UGR FAQs](#)

ACU-AIM™ PRECISION AIMING

- Precision Geared hot-aiming via Philips screwdriver
- 365° horizontal, 40° vertical aiming with any ceiling thickness from 1/2" to 1"
- Optimized center beam optics translates center of the beam through the center of the aperture resulting in maximum efficiency and low aperture brightness
- Numeric indicator marks allow contractor to pre-aim fixtures

HIGH QUALITY TRIMS

- Available with die cast bevels and pinholes, and spun aluminum reflectors. Adjustable housings also compatible with [downlight trims](#).
- Available in Self Flanged and Flangeless; Flangeless compatible with gypsum or solid ceiling materials (wood/stone/tile; New Construction only).
- Must Specify FMA2 for New Construction gypsum flangeless installation or FMA2R for Remodel gypsum flangeless installation
- Field Replaceable Driver
- Accommodates 120-277V input and multiple control protocols
- Dims without perceived flicker to 1% depending on driver specified
- Field replaceable without tools from above or below the ceiling
- >0.9 Power Factor

BUY AMERICAN ACT

- This product is assembled in the USA and meets the Buy America(n) government procurement requirements under FAR, DFARS and DOT regulations.
- Please refer to [www.acuitybrands.com/resources/buy-american](http://www.acuitybrands.com/resources/buy-american) for additional information.

EMERGENCY BATTERY

- Provides a minimum of 400 lumens (3000K, 80CRI) for minimum duration of 90 minutes.
- Top Access Required; Self-Testing
- Supplied with Class-2 plenum rated remote test switch
- CEC T20 Compliant

WARRANTY & RATED LIFE

- LED is rated for >50,000 hours at 70% lumen maintenance
- 5-year limited warranty. This is the only warranty provided and no other statements in this specification sheet create any warranty of any kind. All other express and implied warranties are disclaimed. Complete warranty terms located at: <https://www.acuitybrands.com/support/warranty/terms-and-conditions>

INSTALLATION

- New construction or remodel (install from below) are available.
- New Construction features patented (US Patent 8,038,113) Pro-VI™ bar hanger system compatible with wood stud and T-bar
- ICAT housing also features vertically adjustable mounting brackets (butterfly brackets)
- Centerline indicators on New Construction plaster frame and patented (US Patent 8,277,090) Tru-Line™ Platform featuring +/- 1/2" translation aids fixture alignment after installation, prior to finishing the ceiling.

JUNCTION BOX

- ICAT housing includes (2) 1/2" knockouts in access plate, and is compatible with rigid conduit and flexible supply
- Non-IC housings include (2) 1/2" knockouts with pry-out slots in junction box and are compatible with flexible electrical supply only
- Quick connect electrical connectors for field connections.

CODES & LABELS

- UL & cUL listed for damp location. Listed for wet location with WET option.
- ICAT housing meets energy code Air Leakage requirements per ASTM E283
- ENERGY STAR® certified with select trims and housings
- Can be used to comply with Title 24, Part 6 with select trims and ICAT housings. Reference T24 JA-8 database for list of compliant housings and trims.
- ICAT housings are Chicago Plenum (CCEA) approved standard
- ICAT housings are rated for direct contact with insulation, including spray foam insulation with R-Value of 3.7 per inch or less.
- Union made

CEILING THICKNESS

- Accommodates 1/2" to 1 1/2" ceiling thickness
- Vertical aiming in ceiling 1" – 1 1/2" is reduced from 40° to 25°

A+ CAPABLE LUMINAIRE

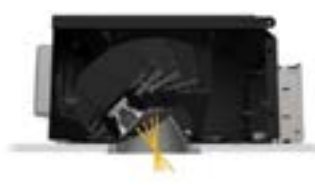
- This item is an A+ capable luminaire, which has been designed and tested to provide consistent color appearance and out-of-the-box control compatibility with simple commissioning, when used with Acuity Brands controls products.
- All configurations of this luminaire are calibrated and tested to meet the Acuity Brand's specification for chromatic consistency - including color rendering, color fidelity and color temperature tolerance around standard CIE chromaticity coordinates.
- To learn more about Acuity A+ standards, specifications and testing, visit [www.acuitybrands.com/aplus](http://www.acuitybrands.com/aplus).

Spot On! Precision Optics



Smooth, striation-free beams with field-interchangeable TIR optics from 15° to 60°

Acu-Aim™ Precision Aiming



Precision geared hot-aiming is effortless. Centerbeam optics results in lower aperture brightness

Tru-Line™ Precision Installation



Pro-VI™ bar hangers, coupled with +/-1/2" aperture translation makes perfect installation achievable

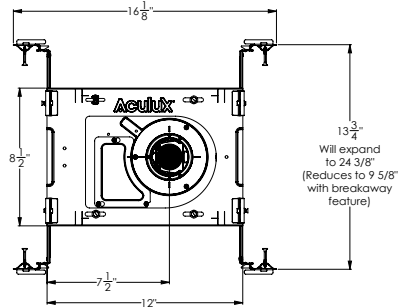
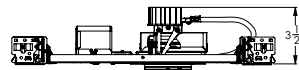


**DIMENSIONS**

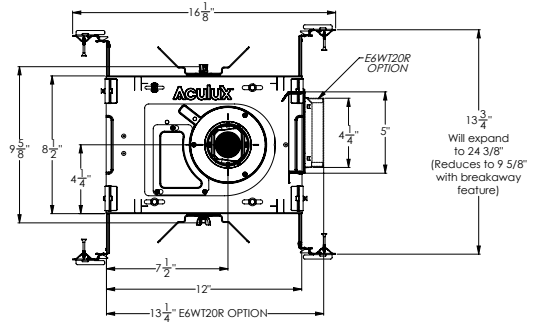
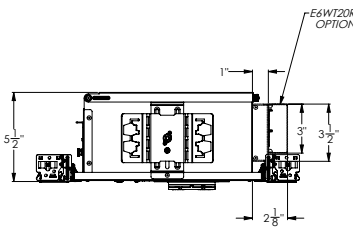
**NEW CONSTRUCTION ADJUSTABLE (AX2 A)**

Ceiling Cutout: 2.875" (Refer to installation instructions for flangeless ceiling cutout)

Non-ICAT:



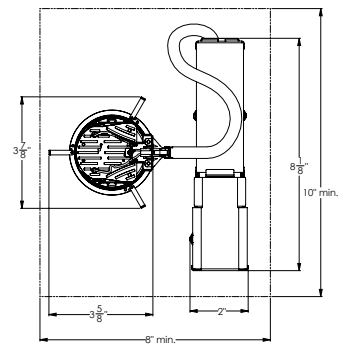
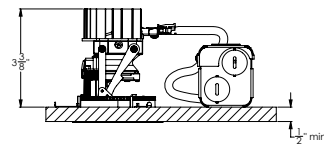
CP ICAT / Emergency Battery\*:



\* Note: E6WT20R option is non-IC rated.

**REMODEL ADJUSTABLE (AX2 AR)**

Ceiling Cutout: 2.953" (Refer to installation instructions for flangeless ceiling cutout)



**ELECTRICAL SPECIFICATIONS**

LUMEN PACKAGE	08LM			12LM			15LM		
	FPC	ZT		FPC	ZT		FPC	ZT	
Voltage	120	120	277	120	120	277	120	120	277
Input Power	10.0	9.9	10.1	14.7	14.3	14.3	17.3	16.5	16.4
Input Current	0.08	0.08	0.04	0.12	0.12	0.06	0.14	0.14	0.06
Frequency	50/60Hz			50/60Hz			50/60Hz		
Power Factor	0.99	0.99	0.99	0.99	0.99	0.92	0.99	0.99	0.92



PHOTOMETRICS (@ 30° TILT) - 2AC

Tested in accordance to IESNA LM79

15 Degree Beam	24 Degree Beam	35 Degree Beam	45 Degree Beam																																																																																								
<p><b>AX2 A G2 15LM 30K 80CRI 15D FPC 120 + 2AC CD</b></p> <p>Input Watts: 17.3, Delivered Lumens: 1495, LPW: 86.4, S/MH: 2.51, Test No: PT07172701</p> <p><b>CP Summary</b></p> <table border="1"> <tr><td>0°</td><td>218</td></tr> <tr><td>5°</td><td>375</td></tr> <tr><td>15°</td><td>1793</td></tr> <tr><td>25°</td><td>7345</td></tr> <tr><td>35°</td><td>8121</td></tr> <tr><td>45°</td><td>1863</td></tr> <tr><td>55°</td><td>114</td></tr> <tr><td>65°</td><td>6</td></tr> <tr><td>75°</td><td>0</td></tr> <tr><td>85°</td><td>0</td></tr> <tr><td>90°</td><td>0</td></tr> </table>	0°	218	5°	375	15°	1793	25°	7345	35°	8121	45°	1863	55°	114	65°	6	75°	0	85°	0	90°	0	<p><b>AX2 A G2 15LM 30K 80CRI 24D FPC 120 + 2AC CD</b></p> <p>Input Watts: 17.3, Delivered Lumens: 1437, LPW: 83.1, S/MH: 2.58, Test No: PT07172709</p> <p><b>CP Summary</b></p> <table border="1"> <tr><td>0°</td><td>258</td></tr> <tr><td>5°</td><td>482</td></tr> <tr><td>15°</td><td>2017</td></tr> <tr><td>25°</td><td>5144</td></tr> <tr><td>35°</td><td>5397</td></tr> <tr><td>45°</td><td>2255</td></tr> <tr><td>55°</td><td>221</td></tr> <tr><td>65°</td><td>9</td></tr> <tr><td>75°</td><td>0</td></tr> <tr><td>85°</td><td>0</td></tr> <tr><td>90°</td><td>0</td></tr> </table>	0°	258	5°	482	15°	2017	25°	5144	35°	5397	45°	2255	55°	221	65°	9	75°	0	85°	0	90°	0	<p><b>AX2 A G2 15LM 30K 80CRI 35D FPC 120 + 2AC CD</b></p> <p>Input Watts: 17.3, Delivered Lumens: 1398, LPW: 80.8, S/MH: 2.51, Test No: PT07172717R</p> <p><b>CP Summary</b></p> <table border="1"> <tr><td>0°</td><td>492</td></tr> <tr><td>5°</td><td>766</td></tr> <tr><td>15°</td><td>1690</td></tr> <tr><td>25°</td><td>2742</td></tr> <tr><td>35°</td><td>2883</td></tr> <tr><td>45°</td><td>1858</td></tr> <tr><td>55°</td><td>608</td></tr> <tr><td>65°</td><td>38</td></tr> <tr><td>75°</td><td>0</td></tr> <tr><td>85°</td><td>0</td></tr> <tr><td>90°</td><td>0</td></tr> </table>	0°	492	5°	766	15°	1690	25°	2742	35°	2883	45°	1858	55°	608	65°	38	75°	0	85°	0	90°	0	<p><b>AX2 A G2 15LM 30K 80CRI 45D FPC 120 + 2AC CD</b></p> <p>Input Watts: 17.3, Delivered Lumens: 1375, LPW: 79.5, S/MH: 2.58, Test No: PT07172725R</p> <p><b>CP Summary</b></p> <table border="1"> <tr><td>0°</td><td>499</td></tr> <tr><td>5°</td><td>744</td></tr> <tr><td>15°</td><td>1490</td></tr> <tr><td>25°</td><td>2095</td></tr> <tr><td>35°</td><td>2179</td></tr> <tr><td>45°</td><td>1827</td></tr> <tr><td>55°</td><td>765</td></tr> <tr><td>65°</td><td>62</td></tr> <tr><td>75°</td><td>0</td></tr> <tr><td>85°</td><td>0</td></tr> <tr><td>90°</td><td>0</td></tr> </table>	0°	499	5°	744	15°	1490	25°	2095	35°	2179	45°	1827	55°	765	65°	62	75°	0	85°	0	90°	0
0°	218																																																																																										
5°	375																																																																																										
15°	1793																																																																																										
25°	7345																																																																																										
35°	8121																																																																																										
45°	1863																																																																																										
55°	114																																																																																										
65°	6																																																																																										
75°	0																																																																																										
85°	0																																																																																										
90°	0																																																																																										
0°	258																																																																																										
5°	482																																																																																										
15°	2017																																																																																										
25°	5144																																																																																										
35°	5397																																																																																										
45°	2255																																																																																										
55°	221																																																																																										
65°	9																																																																																										
75°	0																																																																																										
85°	0																																																																																										
90°	0																																																																																										
0°	492																																																																																										
5°	766																																																																																										
15°	1690																																																																																										
25°	2742																																																																																										
35°	2883																																																																																										
45°	1858																																																																																										
55°	608																																																																																										
65°	38																																																																																										
75°	0																																																																																										
85°	0																																																																																										
90°	0																																																																																										
0°	499																																																																																										
5°	744																																																																																										
15°	1490																																																																																										
25°	2095																																																																																										
35°	2179																																																																																										
45°	1827																																																																																										
55°	765																																																																																										
65°	62																																																																																										
75°	0																																																																																										
85°	0																																																																																										
90°	0																																																																																										

Measured 30LM   30K   80 CRI	Horizontal Aiming Angles								Vertical Aiming Angles								
	0°				30°				30°				40°				
Beam Spread	CBCP	MH	FC	L	W	FC	L	W	D	FC	X	L	W	FC	X	L	W
12D	10338	4	646	1.2	1.2	420	1.5	1.3	2	323	3.5	2.5	1.2	686	2.4	1.4	0.9
24D	5933	4	371	1.7	1.7	241	2.2	1.9	2	185	3.5	3.8	1.7	394	2.4	2.1	1.3
35D	3011	4	188	2.6	2.6	122	3.6	3.0	2	94	3.5	7.5	2.6	200	2.4	3.7	2.0
50D	2158	4	135	3.3	3.3	88	4.6	3.8	2	67	3.5	13.1	3.3	143	2.4	5.2	2.5
		6	60	4.9	4.9	39	6.9	5.7	3	30	5.2	19.7	4.9	64	3.6	7.8	3.8
		8	34	6.5	6.5	22	9.2	7.6	4	17	6.9	26.3	6.5	36	4.8	10.4	5.1
		10	22	8.2	8.2	14	11.6	9.4	5	11	8.7	32.9	8.2	23	6.0	13.0	6.4
		12	15	9.8	9.8	10	13.9	11.3	6	7	10.4	39.4	9.8	16	7.2	15.6	7.6

In vertical aiming applications, aim point (X) is determined by dividing distance from the wall (D) by the tangent of the desired aim angle (A) (0.5774 for 30°, 1.0 for 45°).  
 CBCP • Centerbeam candlepower FC • Footcandles at beam center (aim point)

LUMEN | CBCP MULTIPLIERS

CCT	80+ CRI	90+ CRI
2700K	0.95	0.83
3000K	1.00	0.87
3500K	1.05	
4000K	1.10	

08LM	12LM	15LM
0.58	0.86	1.00

\*Refer to website for additional photometry (alternate trims, CCT/CRI, lumen packages)



PHOTOMETRICS (@ 30° TILT) - 2ABV

Tested in accordance to IESNA LM79

15 Degree Beam	24 Degree Beam	35 Degree Beam	45 Degree Beam																																																																																																
<p><b>AX2 A G2 15LM 30K 80CRI 15D FPC 120 + 2ABV BD</b></p> <p>Input Watts: 17.3, Delivered Lumens: 1322, LPW: 76.4, S/MH: 2.56, Test No: PT07172703</p> <p><b>CP Summary</b></p> <table border="1"> <tr><th colspan="2">0°</th></tr> <tr><td>0°</td><td>136</td></tr> <tr><td>5°</td><td>299</td></tr> <tr><td>15°</td><td>1694</td></tr> <tr><td>25°</td><td>6933</td></tr> <tr><td>35°</td><td>7413</td></tr> <tr><td>45°</td><td>1637</td></tr> <tr><td>55°</td><td>108</td></tr> <tr><td>65°</td><td>10</td></tr> <tr><td>75°</td><td>0</td></tr> <tr><td>85°</td><td>0</td></tr> <tr><td>90°</td><td>0</td></tr> </table>	0°		0°	136	5°	299	15°	1694	25°	6933	35°	7413	45°	1637	55°	108	65°	10	75°	0	85°	0	90°	0	<p><b>AX2 A G2 15LM 30K 80CRI 24D FPC 120 + 2ABV BD</b></p> <p>Input Watts: 17.3, Delivered Lumens: 1278, LPW: 73.9, S/MH: 2.61, Test No: PT07172711</p> <p><b>CP Summary</b></p> <table border="1"> <tr><th colspan="2">0°</th></tr> <tr><td>0°</td><td>182</td></tr> <tr><td>5°</td><td>435</td></tr> <tr><td>15°</td><td>2044</td></tr> <tr><td>25°</td><td>5205</td></tr> <tr><td>35°</td><td>5297</td></tr> <tr><td>45°</td><td>1979</td></tr> <tr><td>55°</td><td>191</td></tr> <tr><td>65°</td><td>14</td></tr> <tr><td>75°</td><td>0</td></tr> <tr><td>85°</td><td>0</td></tr> <tr><td>90°</td><td>0</td></tr> </table>	0°		0°	182	5°	435	15°	2044	25°	5205	35°	5297	45°	1979	55°	191	65°	14	75°	0	85°	0	90°	0	<p><b>AX2 A G2 15LM 30K 80CRI 35D FPC 120 + 2ABV BD</b></p> <p>Input Watts: 17.3, Delivered Lumens: 1210, LPW: 69.9, S/MH: 2.34, Test No: PT07172719R</p> <p><b>CP Summary</b></p> <table border="1"> <tr><th colspan="2">0°</th></tr> <tr><td>0°</td><td>522</td></tr> <tr><td>5°</td><td>864</td></tr> <tr><td>15°</td><td>1891</td></tr> <tr><td>25°</td><td>2898</td></tr> <tr><td>35°</td><td>2722</td></tr> <tr><td>45°</td><td>1542</td></tr> <tr><td>55°</td><td>387</td></tr> <tr><td>65°</td><td>37</td></tr> <tr><td>75°</td><td>0</td></tr> <tr><td>85°</td><td>0</td></tr> <tr><td>90°</td><td>0</td></tr> </table>	0°		0°	522	5°	864	15°	1891	25°	2898	35°	2722	45°	1542	55°	387	65°	37	75°	0	85°	0	90°	0	<p><b>AX2 A G2 15LM 30K 80CRI 45D FPC 120 + 2ABV BD</b></p> <p>Input Watts: 17.3, Delivered Lumens: 1199, LPW: 69.3, S/MH: 2.51, Test No: PT07172727R</p> <p><b>CP Summary</b></p> <table border="1"> <tr><th colspan="2">0°</th></tr> <tr><td>0°</td><td>477</td></tr> <tr><td>5°</td><td>746</td></tr> <tr><td>15°</td><td>1547</td></tr> <tr><td>25°</td><td>2103</td></tr> <tr><td>35°</td><td>2188</td></tr> <tr><td>45°</td><td>1745</td></tr> <tr><td>55°</td><td>662</td></tr> <tr><td>65°</td><td>101</td></tr> <tr><td>75°</td><td>0</td></tr> <tr><td>85°</td><td>0</td></tr> <tr><td>90°</td><td>0</td></tr> </table>	0°		0°	477	5°	746	15°	1547	25°	2103	35°	2188	45°	1745	55°	662	65°	101	75°	0	85°	0	90°	0
0°																																																																																																			
0°	136																																																																																																		
5°	299																																																																																																		
15°	1694																																																																																																		
25°	6933																																																																																																		
35°	7413																																																																																																		
45°	1637																																																																																																		
55°	108																																																																																																		
65°	10																																																																																																		
75°	0																																																																																																		
85°	0																																																																																																		
90°	0																																																																																																		
0°																																																																																																			
0°	182																																																																																																		
5°	435																																																																																																		
15°	2044																																																																																																		
25°	5205																																																																																																		
35°	5297																																																																																																		
45°	1979																																																																																																		
55°	191																																																																																																		
65°	14																																																																																																		
75°	0																																																																																																		
85°	0																																																																																																		
90°	0																																																																																																		
0°																																																																																																			
0°	522																																																																																																		
5°	864																																																																																																		
15°	1891																																																																																																		
25°	2898																																																																																																		
35°	2722																																																																																																		
45°	1542																																																																																																		
55°	387																																																																																																		
65°	37																																																																																																		
75°	0																																																																																																		
85°	0																																																																																																		
90°	0																																																																																																		
0°																																																																																																			
0°	477																																																																																																		
5°	746																																																																																																		
15°	1547																																																																																																		
25°	2103																																																																																																		
35°	2188																																																																																																		
45°	1745																																																																																																		
55°	662																																																																																																		
65°	101																																																																																																		
75°	0																																																																																																		
85°	0																																																																																																		
90°	0																																																																																																		

Measured 30LM   30K   80 CRI		FOR HORIZONTAL AIMING ANGLES							FOR VERTICAL AIMING ANGLES								
		Horizontal Aiming Angles			Vertical Aiming Angles												
Beam Spread	CBCP	0°				30°			30°				40°				
		MH	FC	L	W	FC	L	W	D	FC	X	L	W	FC	X	L	W
15D	9609	4	601	1.2	1.2	390	1.6	1.4	2	300	3.5	2.6	1.2	638	2.4	1.5	0.9
		6	267	1.8	1.8	173	2.4	2.1	3	133	5.2	3.9	1.8	284	3.6	2.3	1.4
		8	150	2.4	2.4	98	3.2	2.8	4	75	6.9	5.2	2.4	159	4.8	3.0	1.9
		10	96	3.0	3.0	62	4.0	3.5	5	48	8.7	6.5	3.0	102	6.0	3.8	2.3
		12	67	3.6	3.6	43	4.8	4.2	6	33	10.4	7.7	3.6	71	7.2	4.5	2.8
24D	5987	4	374	1.7	1.7	243	2.3	2.0	2	187	3.5	3.9	1.7	398	2.4	2.2	1.3
		6	166	2.5	2.5	108	3.4	2.9	3	83	5.2	5.9	2.5	177	3.6	3.3	2.0
		8	94	3.4	3.4	61	4.6	3.9	4	47	6.9	7.8	3.4	99	4.8	4.4	2.6
		10	60	4.2	4.2	39	5.7	4.9	5	30	8.7	9.8	4.2	64	6.0	5.5	3.3
		12	42	5.1	5.1	27	6.9	5.9	6	21	10.4	11.7	5.1	44	7.2	6.6	4.0
35D	3004	4	188	2.4	2.4	122	3.3	2.8	2	94	3.5	6.7	2.4	199	2.4	3.4	1.9
		6	83	3.6	3.6	54	5.0	4.2	3	42	5.2	10.1	3.6	89	3.6	5.1	2.8
		8	47	4.9	4.9	30	6.7	5.6	4	23	6.9	13.4	4.9	50	4.8	6.8	3.8
		10	30	6.1	6.1	20	8.4	7.0	5	15	8.7	16.8	6.1	32	6.0	8.5	4.7
		12	21	7.3	7.3	14	10.0	8.4	6	10	10.4	20.2	7.3	22	7.2	10.2	5.7
45D	2183	4	136	3.2	3.2	89	4.5	3.7	2	68	3.5	12.6	3.2	145	2.4	5.1	2.5
		6	61	4.8	4.8	39	6.8	5.6	3	30	5.2	18.9	4.8	64	3.6	7.6	3.8
		8	34	6.4	6.4	22	9.1	7.4	4	17	6.9	25.2	6.4	36	4.8	10.1	5.0
		10	22	8.1	8.1	14	11.4	9.3	5	11	8.7	31.4	8.1	23	6.0	12.7	6.3
		12	15	9.7	9.7	10	13.6	11.2	6	8	10.4	37.7	9.7	16	7.2	15.2	7.5

In vertical aiming applications, aim point (X) is determined by dividing distance from the wall (D) by the tangent of the desired aim angle (A) (0.5774 for 30°, 1.0 for 45°).  
 CBCP • Centerbeam candlepower FC • Footcandles at beam center (aim point)

LUMEN | CBCP MULTIPLIERS

CCT	80+ CRI	90+ CRI
2700K	0.95	0.83
3000K	1.00	0.87
3500K	1.05	
4000K	1.10	

08LM	12LM	15LM
0.58	0.86	1.00

\*Refer to website for additional photometry (alternate trims, CCT/CRI, lumen packages)



PHOTOMETRICS (@ 30° TILT) - 2APIN

Tested in accordance to IESNA LM79

15 Degree Beam	24 Degree Beam	35 Degree Beam	45 Degree Beam																																																																																								
<p><b>AX2 A G2 15LM 30K 80CRI 15D FPC 120 + 2APIN BD</b></p> <p>Input Watts: 17.3, Delivered Lumens: 1157, LPW: 66.9, S/MH: 2.34, Test No: PT07172704</p> <p><b>CP Summary</b></p> <table border="1"> <tr><td>0°</td><td>122</td></tr> <tr><td>5°</td><td>265</td></tr> <tr><td>15°</td><td>1683</td></tr> <tr><td>25°</td><td>6743</td></tr> <tr><td>35°</td><td>6556</td></tr> <tr><td>45°</td><td>1213</td></tr> <tr><td>55°</td><td>48</td></tr> <tr><td>65°</td><td>2</td></tr> <tr><td>75°</td><td>0</td></tr> <tr><td>85°</td><td>0</td></tr> <tr><td>90°</td><td>0</td></tr> </table>	0°	122	5°	265	15°	1683	25°	6743	35°	6556	45°	1213	55°	48	65°	2	75°	0	85°	0	90°	0	<p><b>AX2 A G2 15LM 30K 80CRI 24D FPC 120 + 2APIN BD</b></p> <p>Input Watts: 17.3, Delivered Lumens: 1116, LPW: 64.5, S/MH: 2.38, Test No: PT07172712</p> <p><b>CP Summary</b></p> <table border="1"> <tr><td>0°</td><td>170</td></tr> <tr><td>5°</td><td>419</td></tr> <tr><td>15°</td><td>2074</td></tr> <tr><td>25°</td><td>5176</td></tr> <tr><td>35°</td><td>4799</td></tr> <tr><td>45°</td><td>1368</td></tr> <tr><td>55°</td><td>39</td></tr> <tr><td>65°</td><td>1</td></tr> <tr><td>75°</td><td>0</td></tr> <tr><td>85°</td><td>0</td></tr> <tr><td>90°</td><td>0</td></tr> </table>	0°	170	5°	419	15°	2074	25°	5176	35°	4799	45°	1368	55°	39	65°	1	75°	0	85°	0	90°	0	<p><b>AX2 A G2 15LM 30K 80CRI 35D FPC 120 + 2APIN BD</b></p> <p>Input Watts: 17.3, Delivered Lumens: 1073, LPW: 62.0, S/MH: 2.18, Test No: PT07172720R</p> <p><b>CP Summary</b></p> <table border="1"> <tr><td>0°</td><td>510</td></tr> <tr><td>5°</td><td>852</td></tr> <tr><td>15°</td><td>1881</td></tr> <tr><td>25°</td><td>2884</td></tr> <tr><td>35°</td><td>2665</td></tr> <tr><td>45°</td><td>1253</td></tr> <tr><td>55°</td><td>141</td></tr> <tr><td>65°</td><td>1</td></tr> <tr><td>75°</td><td>0</td></tr> <tr><td>85°</td><td>0</td></tr> <tr><td>90°</td><td>0</td></tr> </table>	0°	510	5°	852	15°	1881	25°	2884	35°	2665	45°	1253	55°	141	65°	1	75°	0	85°	0	90°	0	<p><b>AX2 A G2 15LM 30K 80CRI 45D FPC 120 + 2APIN BD</b></p> <p>Input Watts: 17.3, Delivered Lumens: 1036, LPW: 59.9, S/MH: 2.34, Test No: PT07172728R</p> <p><b>CP Summary</b></p> <table border="1"> <tr><td>0°</td><td>455</td></tr> <tr><td>5°</td><td>722</td></tr> <tr><td>15°</td><td>1511</td></tr> <tr><td>25°</td><td>2096</td></tr> <tr><td>35°</td><td>2164</td></tr> <tr><td>45°</td><td>1476</td></tr> <tr><td>55°</td><td>279</td></tr> <tr><td>65°</td><td>1</td></tr> <tr><td>75°</td><td>0</td></tr> <tr><td>85°</td><td>0</td></tr> <tr><td>90°</td><td>0</td></tr> </table>	0°	455	5°	722	15°	1511	25°	2096	35°	2164	45°	1476	55°	279	65°	1	75°	0	85°	0	90°	0
0°	122																																																																																										
5°	265																																																																																										
15°	1683																																																																																										
25°	6743																																																																																										
35°	6556																																																																																										
45°	1213																																																																																										
55°	48																																																																																										
65°	2																																																																																										
75°	0																																																																																										
85°	0																																																																																										
90°	0																																																																																										
0°	170																																																																																										
5°	419																																																																																										
15°	2074																																																																																										
25°	5176																																																																																										
35°	4799																																																																																										
45°	1368																																																																																										
55°	39																																																																																										
65°	1																																																																																										
75°	0																																																																																										
85°	0																																																																																										
90°	0																																																																																										
0°	510																																																																																										
5°	852																																																																																										
15°	1881																																																																																										
25°	2884																																																																																										
35°	2665																																																																																										
45°	1253																																																																																										
55°	141																																																																																										
65°	1																																																																																										
75°	0																																																																																										
85°	0																																																																																										
90°	0																																																																																										
0°	455																																																																																										
5°	722																																																																																										
15°	1511																																																																																										
25°	2096																																																																																										
35°	2164																																																																																										
45°	1476																																																																																										
55°	279																																																																																										
65°	1																																																																																										
75°	0																																																																																										
85°	0																																																																																										
90°	0																																																																																										

Measured 30LM   30K   80 CRI	Beam Spread	CBCP	Horizontal Aiming Angles						Vertical Aiming Angles									
			0°			30°			30°				45°					
			MH	FC	L	W	FC	L	W	D	FC	X	L	W	FC	X	L	W
	15D	8889	4	556	1.2	1.2	361	1.6	1.4	2	278	3.5	2.5	1.2	590	2.4	1.5	0.9
			6	247	1.8	1.8	160	2.4	2.1	3	123	5.2	3.8	1.8	262	3.6	2.2	1.4
			8	139	2.4	2.4	90	3.2	2.7	4	69	6.9	5.1	2.4	148	4.8	3.0	1.8
			10	89	3.0	3.0	58	4.0	3.4	5	44	8.7	6.4	3.0	94	6.0	3.7	2.3
			12	62	3.6	3.6	40	4.8	4.1	6	31	10.4	7.6	3.6	66	7.2	4.5	2.8
	24D	5774	4	361	1.8	1.8	234	2.4	2.0	2	180	3.5	4.2	1.8	383	2.4	2.3	1.4
			6	160	2.7	2.7	104	3.6	3.1	3	80	5.2	6.2	2.7	170	3.6	3.5	2.1
			8	90	3.5	3.5	59	4.8	4.1	4	45	6.9	8.3	3.5	96	4.8	4.6	2.8
			10	58	4.4	4.4	38	6.0	5.1	5	29	8.7	10.4	4.4	61	6.0	5.8	3.4
			12	40	5.3	5.3	26	7.2	6.1	6	20	10.4	12.5	5.3	43	7.2	6.9	4.1
	35D	2992	4	187	2.5	2.5	121	3.5	2.9	2	94	3.5	7.1	2.5	199	2.4	3.5	2.0
			6	83	3.8	3.8	54	5.2	4.4	3	42	5.2	10.7	3.8	88	3.6	5.3	2.9
			8	47	5.0	5.0	30	6.9	5.8	4	23	6.9	14.3	5.0	50	4.8	7.1	3.9
			10	30	6.3	6.3	19	8.7	7.3	5	15	8.7	17.9	6.3	32	6.0	8.8	4.9
			12	21	7.5	7.5	13	10.4	8.7	6	10	10.4	21.4	7.5	22	7.2	10.6	5.9
	45D	2171	4	136	3.1	3.1	88	4.4	3.6	2	68	3.5	11.5	3.1	144	2.4	4.8	2.4
			6	60	4.7	4.7	39	6.6	5.4	3	30	5.2	17.2	4.7	64	3.6	7.2	3.6
			8	34	6.2	6.2	22	8.8	7.2	4	17	6.9	22.9	6.2	36	4.8	9.6	4.9
			10	22	7.8	7.8	14	11.0	9.0	5	11	8.7	28.7	7.8	23	6.0	12.0	6.1
			12	15	9.4	9.4	10	13.1	10.8	6	8	10.4	34.4	9.4	16	7.2	14.4	7.3

In vertical aiming applications, aim point (X) is determined by dividing distance from the wall (D) by the tangent of the desired aim angle (A) (0.5774 for 30°, 1.0 for 45°).  
CBCP • Centerbeam candlepower FC • Footcandles at beam center (aim point)

LUMEN | CBCP MULTIPLIERS

CCT	80+ CRI	90+ CRI
2700K	0.95	0.83
3000K	1.00	0.87
3500K	1.05	
4000K	1.10	

08LM	12LM	15LM
0.58	0.86	1.00

\*Refer to website for additional photometry (alternate trims, CCT/CRI, lumen packages)

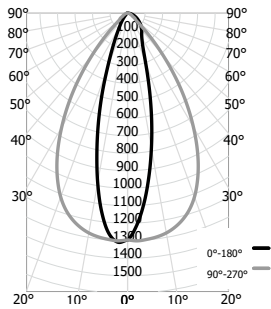




PHOTOMETRICS - 2WW

Tested in accordance to IESNA LM79

AX2 A G2 15LM 30K 80CRI 24D FPC 120 + 2WW CD Input Watts: 17.3, Delivered Lumens: 839, LPW: 48.5, S/MH: 0.41, Test No: PT07172516



CP Summary		Zonal Lumen Summary		Coefficients of Utilization								Luminance (cd/sq.m)			
0°	90°	Zone	Lumens % Fixture	pf	80%				20%				Average Luminance		
				pc	50%	30%	10%	50%	30%	10%	50%	30%		10%	
0°	1296	0° - 30°	560 67%	0	998.72	998.72	998.72	975.49	975.49	975.49	932.14	932.14	932.14	0°	491977
5°	1086	0° - 40°	693 83%	1	919.73	896.44	875.45	901.45	880.48	861.48	867.21	850.33	834.85	45°	59058
15°	501	0° - 60°	797 95%	2	848.52	811.20	779.85	833.85	799.84	771.00	806.32	778.19	753.92	55°	51759
25°	204	0° - 90°	839 100%	3	786.34	740.93	704.76	774.44	732.62	698.94	752.01	716.68	687.61	65°	45544
35°	141	90° - 180°	0 0%	4	732.01	682.17	644.10	722.24	675.95	640.16	703.78	663.96	632.43	75°	40044
45°	110	0° - 180°	839 100%	5	684.23	632.23	593.85	676.12	627.48	591.10	660.78	618.28	585.70	85°	33540
55°	78			6	641.92	589.19	551.35	635.14	585.49	549.39	622.26	578.31	545.53		
65°	51			7	604.24	551.67	514.82	598.51	548.74	513.39	587.62	543.04	510.57		
75°	27			8	570.51	518.64	482.99	565.63	516.28	481.93	556.33	511.69	479.83		
85°	8			9	540.17	489.33	454.98	535.98	487.40	454.18	527.97	483.65	452.58		
90°	0			10	512.76	463.14	430.12	509.14	461.56	429.49	502.20	458.45	428.26		

FOOTCANDLES ON WALL FROM MULTIPLE FIXTURES

Fixture Distance to Wall		18"						24"					
Fixture Centers (spacing)		18"			24"			18"			24"		
DISTANCE FROM CEILING	1'	25	25	25	21	19	21	16	16	16	13	13	13
	2'	34	34	34	26	26	26	26	26	26	21	21	21
	3'	27	27	27	21	21	21	24	24	24	19	19	19
	4'	23	24	23	19	19	19	20	20	20	16	16	16
	5'	22	22	22	18	18	18	18	18	18	15	15	15
	6'	20	20	20	16	17	16	17	18	17	14	15	14
	7'	18	18	18	15	15	15	16	17	16	14	14	14
	8'	15	16	15	13	14	13	15	15	15	13	14	13
	9'	12	13	12	11	11	11	13	13	13	11	11	11

Performance listed at 3000K | 80CRI

LUMEN | CBCP MULTIPLIERS

CCT	80+ CRI	90+ CRI
2700K	0.95	0.83
3000K	1.00	0.87
3500K	1.05	
4000K	1.10	

08LM	12LM	15LM
0.58	0.86	1.00

\*Refer to website for additional photometry (alternate trims, CCT/CRI, lumen packages)



**DIMMER COMPATIBILITY**

**Phase Dimming (FPC Driver)**

**Incandescent, Magnetic Low Voltage and Electronic Low Voltage Dimming**

- Dimming range of 100% down to as low as 1% with a minimum load of one fixture
- Dimming range and maximum rated load vary depending on dimmer type and model. See maximum load calculations below to identify max number of luminaires per dimmer.

**Incandescent (INC) and Magnetic Low Voltage (MLV)**

Example: Fixture Rating = 13W; Dimmer Rating = 600W  
 Equivalent Incandescent Load (EIL) = 50%  
 (600/13W) X 0.5 = 23 Fixtures per Dimmer

**Electronic Low Voltage (ELV)**

Example: Fixture Rating = 13W; Dimmer Rating = 600W  
 Equivalent Incandescent Load (EIL) = 75%  
 (600/13W) X 0.75 = 34 Fixtures per Dimmer

**INCANDESCENT, MLV, ELV WALL DIMMERS**

Manf.	Product Family	Series	Type	Min Light (%)
Lutron	Glyder	GLV*	MLV	2
Lutron	Rotary	D	INC	1
Lutron	Diva	DVLV*	MLV	4
Lutron	Diva	DV	INC	1
Lutron	Diva	DVCL	INC	2
Lutron	Nova T	NT	INC	1
Lutron	Nova T	NTLV	MLV	3
Lutron	Skylark	SLV	MLV	3
Lutron	RadioRA2	10ND	INC	1
Leviton	SureSlide	6613*	MLV	2
Leviton	SureSlide	6633	INC	1
Leviton	IllumaTech	IPL06-10Z*	INC	2
Lutron	Ceana	CNLV	MLV	3
Lutron	Skylark	S	INC	2
Insteon	Dimmer Switch	2477D	INC	3
Insteon	Keypad Dimmer	2334-222	INC	3
Lutron	Nova T	NTELV*	ELV	3
Lutron	Diva	DVELV*	ELV	2
Lutron	Maestro	MAELV*	ELV	3
Leviton	Vizia	VPE06-1LX*	ELV	2
Leviton	Illumatech	IPE04*	ELV	2
Lutron	Skylark	SELV	ELV	2
Lutron	Faetra	FAELV	ELV	3
Lutron	Spacer	SPSELV	ELV	3
Lutron	RadoRA2	RRD-6NA	PHA	1
Control4	Adaptive Phase Dimmer	C4-APD120	PHA	2

**INTEGRATED CONTROL SYSTEMS**

Manf.	PRODUCT FAMILY	SERIES	TYPE	MIN LIGHT (%)
Lutron	GrafikEye QS	PHPM-PA*	PHA	1
Lutron	HomeWorks QS	PHPM-PA*	PHA	1
Lutron	HomeWorks QS	HW-RPM-4A	PHA	1
Lutron	LCP128	PHPM-PA*	PHA	1
Lutron	LCP128	LP-RPM-4A	PHA	1
Lutron	LP	PHPM-PA*	PHA	1
Lutron	LP	LP-RPM-4A	PHA	1
Insteon	Micro Module Dimmer	2442-222	INC	1
Control4	8 CH Dimmer	C4-DIN-8DIM-E	PHA	1
Leviton	SureSlide	6613*	MLV	2
Leviton	SureSlide	6633	INC	1
Leviton	IllumaTech	IPL06-10Z*	INC	2

\*: Aculux recommended dimmers


**0-10V Dimming (ZT Driver)**

- Dimmable with the use of most 0-10V protocol dimmers

Manf.	Product Family	Series	Type	Fixtures per Control	Min Light (%)
Leviton	IllumaTech	IP710-DLX*	0-10V	1-14	4
Lutron	Energi Tripak	RMJ-5T-DV-B*	0-10V	1-24	8
Wattstopper	DLM	LMRC-211*	0-10V	1-40	1
Crestron	GreenLight	DIN-4DIMFLV4*	0-10V	1-24	7
Lutron	GrafikEyeQS	GRX-TVI	0-10V	1-80	1
Lutron	HomeWorksQS	GRX-TVI	0-10V	1-80	1
Lutron	HomeWorksQS	GRX-TVM2*	0-10V	1-20	4
Lutron	Nova T	NTFTV*†	0-10V	1-15	7
Lutron	Nova T	NTSTV-DV*	0-10V	1-15	7
Lutron	Nova	NFTV*†	0-10V	1-15	7
Acuity	SensorSwitch	WSX	0-10V	1-20	7
Acuity	nLight	nPP16D*	0-10V	1-40	3
Insteon	Ballast	Dimmer	0-10V	1-24	3

\* Aculux recommended dimmers

† Require a separate relay module to turn fixture on/off