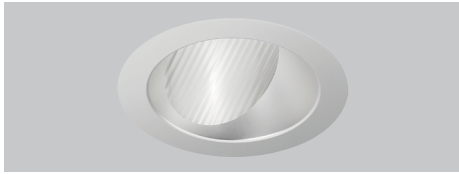
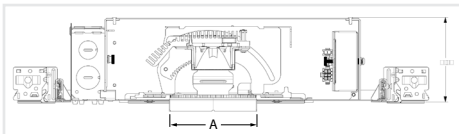




TRIM STYLES



Lensed Wall Wash



A Dimension:  
Self Flanged: 4.625"  
Flangeless: 3.875"

FEATURES

SUPERIOR UNIFORMITY CEILING TO FLOOR

- Best in class performance creates uniform flood of light without hot spots or scallops.
- 45° Visual cutoff to source and source image

TRU-LINE™ PRECISION INSTALLATION

- Patented aperture translation features +/- 1/2" of translation ensures perfect fixture-to-fixture alignment (US Patent 8,277,090)
- Robust Pro-VI™ bar hangers provide robust, non-binding action. (US Patent 8,038,113)

EXCEPTIONAL PERFORMANCE FROM 3-INCH APERTURE

- Up to 1723 lumens delivered!
- Exceptionally consistent color with < 2SDCM for Static White & Tunable White; < 1SDCM for WarmDim
- Excellent color rendition with 95+ CRI | 90+ R9 Available
- WarmDim® option mimics halogen dimming (3000K-1800K)
- Tunable White CCT range of 5000K –2700K

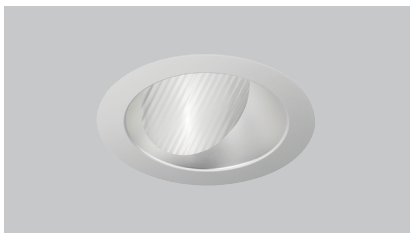


PERFORMANCE

LUMEN PACKAGE	WATTS IN	DELIVERED LUMENS	EFFICACY (LPW)
<b>Static White*</b>			
08LM	7	471	67
12LM	11	691	63
15LM	14	858	61
20LM	20	1213	61
25LM	26	1506	58
30LM	33	1723	52
<b>WarmDim®</b>			
08LM	14	468	33
12LM	20	686	34
15LM	26	1042	40
<b>Tunable White</b>			
08LM	12	452	38
12LM	18	675	38
15LM	20	755	38
20LM	31	1064	34

\*Performance with 3FWW trim at 30K | 80CRI (Static White), 30K | 90CRI (WarmDim) & 50K | 90CRI (Tunable White)  
Actual performance may differ as a result of end-user environment and application.  
All values are design or typical values, measured under laboratory conditions at 25°C

FLANGE STYLES



Self-Flanged



Flangeless (Gypsum)




Flangeless (Wood | Stone | Tile)



ORDERING INFORMATION

EXAMPLE: AX3 WW G4 12LM 30K 95CRI FPC 120 ICAT 3FWW CD SF

Housing	Lumens	CCT	CRI	Driver	Voltage <sup>3</sup>	Ratings	Options
<b>AX3 WW</b> New Construction Wall Wash  <b>AX3 LPWW</b> Low Profile New Construction Wall Wash	<b>G4</b>  <b>Static White</b> 08LM 800 lumens 12LM 1200 lumens 15LM 1500 lumens 20LM 2000 lumens 25LM 2500 lumens 30LM <sup>1</sup> 3000 lumens  <b>WarmDim®</b> 08LM 800 lumens 12LM 1200 lumens 15LM 1500 lumens  <b>Tunable White</b> 08LM 800 lumens 12LM 1200 lumens 15LM 1500 lumens 20LM 2000 lumens	27K 2700K	80CRI	GZ1 0-10V   1% min	120 277 MVOLT (120-277)	(blank) Non-ICAT CP <sup>4</sup> Chicago Plenum ICAT <sup>4</sup> IC Rated, Air-tight	<b>NLIGHT<sup>5</sup></b> nLight Dimming pack controls (Static White and WarmDim only)  <b>E6WT20R<sup>6</sup></b> Emergency 6W battery pack with remote test switch, T20 compliant
		30K 3000K	90CRI <sup>2</sup>	EZ1 0-10V eldoLED   linear 1% min			
		35K 3500K	95CRI <sup>2</sup>	EZB 0-10V eldoLED   log <1% min			
		40K 4000K		EDXB eldoLED DMX   square <1% min			
				EDAB eldoLED DALI 6   log <1% min			
				FPC Phase Cut Dimming   1% min			
				ECOD Lutron EcoSystem   1% min			
				GZ1 0-10V   1% min			
				FPC Phase Cut Dimming   1% min			
		GZ1 0-10V   1% min					
		NLT <sup>5</sup> nLight nTune interface					
		EDAB eldoLED DALI 6   log <1% min					
		EDABT8 eldoLED DALI 8   log <1% min					

Trim	Reflector Finish	Flange Style	Ceiling Installation
<b>Wall Wash</b> 3FWW Lensed Wall Wash 	<b>W</b> White Paint <b>CD</b> Clear Diffuse <b>CS</b> Clear Specular <b>BS</b> Black Specular <b>WTD</b> Wheat Diffuse	<b>Flanged</b> <b>SF</b> Self Flanged (same finish as reflector) <b>WHSF</b> Self Flanged, White Painted Flange (not available with W finish)  <b>Flangeless<sup>7</sup></b> <b>FM</b> Flangeless	<b>Flanged</b> (blank) Ceiling Thickness < 0.875" CTA3/125 Ceiling Thickness 0.875" - 1.25" CTA3/163 Ceiling Thickness 1.25" - 1.625"  <b>Flangeless (Gypsum)</b> FMA3/087 Ceiling Thickness < 0.875" FMA3/125 Ceiling Thickness 0.875" - 1.25" FMA3/163 Ceiling Thickness 1.25" - 1.625"  <b>Flangeless (Wood   Stone   Tile)<sup>8</sup></b> SFM3/087 (B,W) Ceiling Thickness < 0.875" SFM3/125 (B,W) Ceiling Thickness 0.875" - 1.25" SFM3/163 (B,W) Ceiling Thickness 1.25" - 1.625"

REFLECTOR FINISHES



ORDERING NOTES

- 30LM not available with LPWW
- 90CRI and 95CRI available on 27K and 30K only. Contact factory for other CCT/CRI combinations.
- MVOLT standard on GZ1, EZ1, EZB, ECOD, EDXB, EDAB, EDABT8, NLT (unless NLIGHT). Must be 120 for FPC.
- CP or ICAT not available with LPWW at 25LM; not available with WW at 30LM; not available with 15LM WDIM or 20LM TUWH
- Must specify 120 or 277 volts for NLIGHT; MVOLT for NLT. NLIGHT only available with EZ1, EZB (for static white) or GZ1 (for warmDim). NLIGHT and NLT not available with CP.
- E6WT20R not available with WDIM, TUWH, EDXB, CP, ICAT, or NLIGHT.
- Must specify FMA3 or SFM3 option.
- Specify finish: B = Black, W = White.



ACCESSORIES

Optional Installation Accessories	
<b>Bar Hangers</b>	<b>Emergency Inverter</b>
HB1 Juno Real Nail® 3 Bar Hangers	IIS 35 HE Up to 35W Remote Mount Micro Inverter (30LM Excluded)
HB26 26" C-Channel Bar Hangers	
HB50 50" C-Channel Bar Hangers	
LB27 27" Linear Bar Hangers	
<i>Note: Fixture supplied with Pro-VI™ Bar Hangers</i>	

PRODUCT SPECIFICATIONS

FIELD INTERCHANGEABLE LED LIGHT ENGINE

- Future proof and easy to maintain-serviceable from below the ceiling

Static White:

- <2SDCMBinning
- 2700K|3000K|3500K|4000KCCT
- 80+CRI available for all CCTs
- 90+CRI available for 2700K,3000K
- 95+ CRI (>90 R9) available for 2700K, 3000K

WarmDim:

- Proprietary WarmDim technology mimics halogen,with CCT shifting from 3000K to1800K when dimmed.

- <1SDCM Binning, 90+CRI

Tunable White:

- Tunable CCT range 5000K to 2700K
- <2 SDCM Binning, 90+ CRI

QUIET, GLARE-FREE CEILING

- 45° Visual cutoff to source and source image

HIGH QUALITY TRIMS

- Spun aluminum reflectors available in five finishes.
- Available in Self Flanged and Flangeless
- Must specify FMA3 for gypsum flangeless installation
- Must specify SMF3 for wood, stone, tile flangeless installation

FIELD REPLACEABLE DRIVER

- Accommodates 120-277V input and multiple control protocols
- Dims without perceived flicker to <1% depending on driver specified
- Field replaceable without tools from below the ceiling
- >0.9 Power Factor

BUY AMERICAN ACT

- This product is assembled in the USA and meets the Buy America(n) government procurement requirements under FAR, DFARS and DOT regulations.
- Please refer to [www.acuitybrands.com/resources/buy-american](http://www.acuitybrands.com/resources/buy-american) for additional information.

WARRANTY & RATED LIFE

- LED is rated for >50,000 hours at 70% lumen maintenance
- 5-year limited warranty. This is the only warranty provided and no other statements in this specification sheet create any warranty of any kind. All other express and implied warranties are disclaimed. Complete warranty terms located at: <https://www.acuitybrands.com/support/warranty/terms-and-conditions>

EMERGENCY BATTERY

- Provides a minimum of 300 lumens (3000K, 80CRI) for minimum duration of 90 minutes.
- Accessible below ceiling for simple service; Self-Testing
- Supplied with Class-2 plenum rated remote test switch
- CEC T20 Compliant

NEW CONSTRUCTION MOUNTING

- Features patented (US Patent 8,038,113) Pro-VI™ bar hanger system compatible with wood stud and T-bar
- Includes vertically adjustable mounting brackets (butterfly brackets) \*Excluding 25LM ICAT housings
- Centerline indicators on plaster frame and patented (US Patent 8,277,090) Tru-Line™ Platform featuring +/- 1/2" translation aids fixture alignment after installation, prior to finishing the ceiling.

JUNCTION BOX

- ICAT Rated for (4) No. 12 AWG 90°C through branch circuit conductors.
- Includes (6) 1/2", (1) 3/4", (4) Non-metallic sheathed cable knock-outs.
- Push-in electrical connectors for field connections.

CODES & LABELS

- UL & cUL listed for through branch wiring, damp location
- Meets energy code Air Leakage requirements per ASTM E283
- Can be used to comply with Title 24, Part 6 with select trims and housings. Reference T24 JA-8 database for list of compliant housings and trims.
- Static White ICAT housings\* are rated for direct contact with insulation, including open and closed cell spray foam with a maximum R-value of 7.2R/in. This allows use in ceiling cavities insulated up to R60. WDIM and TUWH ICAT housings\* are rated for direct contact with insulation, including open cell spray foam with a maximum R-value of 3.8R/in. They are not suitable for use with closed cell spray foam. \*Note: Options: "25LM ICAT", "15LM TUWH ICAT", "ECOD", "EDXB", & "NLIGHT" are excluded and not suitable for use with spray foam insulation.
- Union made

CEILING THICKNESS

- Accommodates 1/2" to 1.625" ceiling thickness

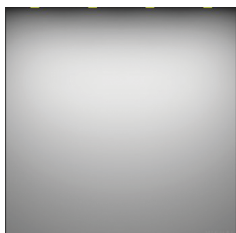
A+ CAPABLE LUMINAIRE

This item is an A+ capable luminaire, which has been designed and tested to provide consistent color appearance and out-of-the-box control compatibility with simple commissioning, when used with Acuity Brands controls products.

- All configurations of this luminaire are calibrated and tested to meet the Acuity Brand's specification for chromatic consistency - including color rendering, color fidelity and color temperature tolerance around standard CIE chromaticity coordinates.

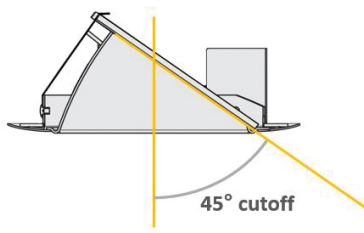
To learn more about Acuity A+ standards, specifications and testing, visit [www.acuitybrands.com/aplus](http://www.acuitybrands.com/aplus).

Exceptional Uniformity



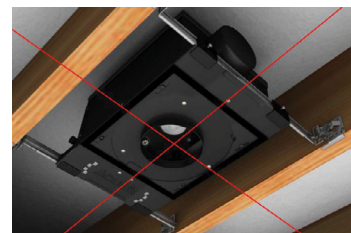
Exceptional uniformity ceiling to floor

Exceptional Brightness and Glare Control



45° visual cutoff to source and source image

Tru-Line™ Precision Installation



Pro-VI™ bar hangers, coupled with +/-1/2" aperture translation makes perfect installation achievable

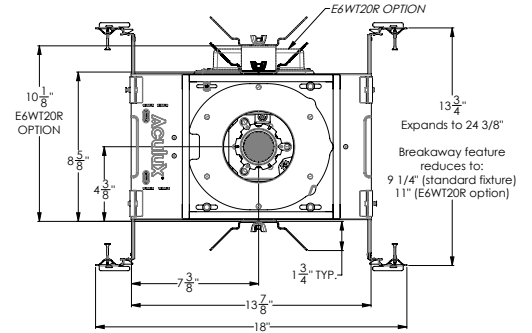
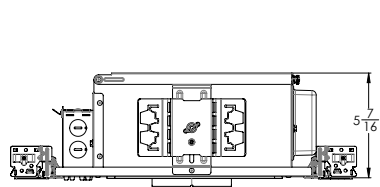
DIMENSIONS

Ceiling Cutout: 4-1/4" (Refer to installation instructions for flangeless ceiling cutout)

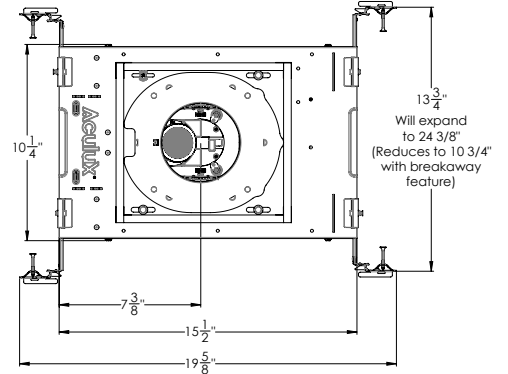
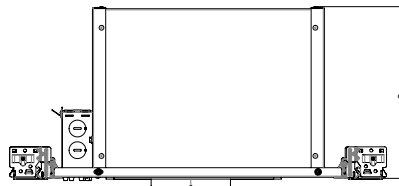
New Construction Wall Wash (AX3 WW)

ICAT/Non-ICAT: 08LM | 12LM | 15LM | 20LM

Non-ICAT: 25LM | 30LM



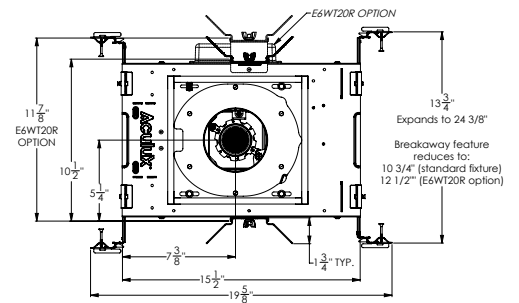
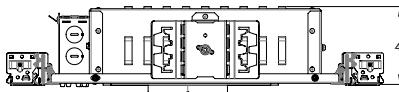
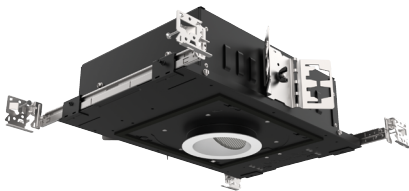
ICAT: 25LM



Low Profile New Construction Wall Wash (AX3 LPWW)

ICAT/Non-ICAT: 08LM | 12LM | 15LM | 20LM

Non-ICAT: 25LM



ELECTRICAL SPECIFICATIONS

Static White

LUMEN PACKAGE	08LM		12LM		15LM		20LM		25LM		30LM	
Voltage	120	277	120	277	120	277	120	277	120	277	120	277
Input Watts	7.0	7.6	11.0	12.0	13.8	14.6	19.7	20.2	25.8	26.3	32.9	33.3
Input Current	0.03	0.06	0.09	0.05	0.12	0.06	0.17	0.08	0.22	0.10	0.28	0.13
Frequency	50/60 Hz		50/60 Hz		50/60 Hz		50/60 Hz		50/60 Hz		50/60 Hz	
Power Factor	0.9 MIN.		0.9 MIN.		0.9 MIN.		0.9 MIN.		0.9 MIN.		0.9 MIN.	

WarmDim

08LM	12LM		15LM		
120	277	120	277	120	277
14.1	14.5	20.0	20.3	25.8	25.9
0.12	0.05	0.17	0.08	0.22	0.10
50/60 Hz		50/60 Hz		50/60 Hz	
0.9 MIN.		0.9 MIN.		0.9 MIN.	

Tunable White

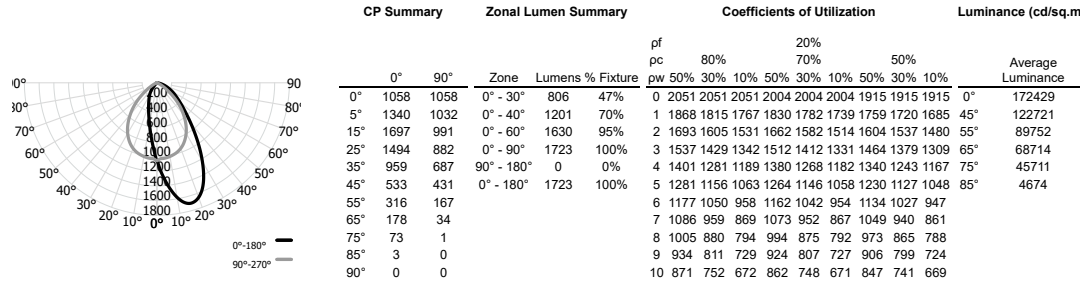
08LM	12LM		15LM		20LM		
120	277	120	277	120	277	120	277
12.1	12.8	18.4	18.9	21.1	21.6	31.0	31.0
0.10	0.05	0.15	0.07	0.18	0.08	0.26	0.11
50/60 Hz		50/60 Hz		50/60 Hz		50/60 Hz	
0.9 MIN.		0.9 MIN.		0.9 MIN.		0.9 MIN.	



PHOTOMETRICS - 3FWW

Tested in accordance to IESNA LM79

AX3 WW G4 30LM 30K 80CRI 24D EZ1 MVOLT + 3FWW CS 3000K LEDs, Input Watts: 32.9, Delivered Lumens: 1723, LM/W: 52.4, Test No: PT03182202



FOOTCANDLES ON WALL FROM MULTIPLE FIXTURES

Fixture Distance to Wall		24"						36"					
Fixture Centers (spacing)		24"		36"		36"		48"		48"			
DISTANCE FROM CEILING	1'	45	46	45	41	27	41	15	14	15	14	10	14
	2'	68	75	68	57	55	57	27	29	27	25	23	25
	3'	68	75	68	57	59	57	32	36	32	29	30	29
	4'	54	59	54	45	49	45	33	36	33	30	31	30
	5'	38	41	38	33	37	33	31	33	31	28	30	28
	6'	27	29	27	24	26	24	26	28	26	24	26	24
	7'	20	21	20	18	19	18	22	23	22	20	21	20
	8'	15	16	15	14	15	14	18	19	18	17	18	17
	9'	12	13	12	12	12	12	15	16	15	14	15	14
	10'	8	8	8	7	8	7	10	10	10	9	10	9

Performance listed at 3000K | 80CRI

LUMEN | CBCP MULTIPLIERS

CCT	80+ CRI	90+ CRI	95+ CRI
2700K	1.00	0.86	0.65
3000K	1.00	0.88	0.69
3500K	1.05	-	-
4000K	1.07	-	-

08LM	12LM	15LM	20LM	25LM	30LM
0.27	0.40	0.50	0.70	0.87	1.0

\*Refer to website for additional photometry (alternate trims, CCT/CRI, lumen packages)



**DIMMER COMPATIBILITY**

**Phase Dimming (FPC) - Incandescent, Magnetic Low Voltage and Electronic Low Voltage Dimming**

- Dimming range of 100% down to as low as 1% a minimum load of one fixture
- Dimming range and maximum rated load vary depending on dimmer type and model. See maximum load calculations below to identify max number of luminaires per dimmer.

**Incandescent (INC) and Magnetic Low Voltage (MLV)**

Example: Fixture Rating = 13W; Dimmer Rating = 600W  
Equivalent Incandescent Load (EIL) = 50%  
(600/13W) X 0.5 = 23 Fixtures per Dimmer

**Electronic Low Voltage (ELV)**

Example: Fixture Rating = 13W; Dimmer Rating = 600W  
Equivalent Incandescent Load (EIL) = 75%  
(600/13W) X 0.75 = 34 Fixtures per Dimmer

**INCANDESCENT, MLV, ELV WALL DIMMERS**

**Static White**

Manf.	Product Family	Series	Type	Min Light(%)
Lutron	Glyder	GLV*	MLV	2
Leviton	SureSlide	6633*	INC	2
Lutron	Diva	DVLV	MLV	6
Lutron	Diva	DV*	INC	2
Lutron	Skylark	SLV*	MLV	3
Lutron	RadioRA 2	RRD-6D*	INC	2
Lutron	RadioRA 2	RRD-10ND*	INC	2
Leviton	SureSlide	6613	MLV	5
Leviton	IllumaTech	IPL06-10Z*	INC	3
Lutron	Diva	DVCL	INC	3
Insteon	Keypad Dimmer	2334-232	INC	2
Insteon	Dimmer Switch	2477D*	INC	2
Control4	Forward Phase Dimmer	C4-FPD 120	INC	2
Lutron	Nova	NTELV	ELV	6
Lutron	Diva	DVELV*	ELV	2
Lutron	Lutron Maestro	MAELV*	ELV	5
Leviton	Vizia	VPE06-1LX	ELV	2
Leviton	Illumatech	IPE04*	ELV	5
Lutron	Lutron RadioRA2	RRD-6NA	PHA	2
Control4	Adaptive Phase Dimmer	C4-APD 120	PHA	2
Lutron	RadioRA2	RRD-6NA*	PHA	2
Control4	Adaptive Phase Dimmer	C4-APD 120	PHA	2

**INTEGRATED CONTROL SYSTEMS**

**Static White**

Manf.	Product Family	Series	Type	Min Light(%)
Lutron	LP	LP-RPM-4U	INC	5
Lutron	LP	LP-RPM-4A*	PHA	2
Lutron	GrafikEye QS	QSGRJ-3P	PHA	2
Lutron	GrafikEye QS	PHPM-PA-120	PHA	2
Lutron	HomeWorks QS	PHPM-PA-120	PHA	2
Lutron	HomeWorks QS	HW-RPM-4A*	PHA	2
Acuity	nLight nSP5PCD ELV	nSP5PCD*	ELV	4
Insteon	Micro Module Dimmer	2442-222*	INC	2
Control4	8 Ch Dimmer	C4-DIN-8DIM-E	PHA	2

\*: Aculux recommended dimmers

**WarmDim® **

Manf.	Product Family	Series	Type	Min Light(%)
Sensor Switch	WPD	WPD*	INC	1
Leviton	Illmatech	IPM06-1LZ	MLV	3
Leviton	Illmatech	IPI06-1LZ	INC	2
Lutron	Diva	DVCL	INC	1
Leviton	SureSlide	6633*	INC	1
Leviton	SureSlide	6613*	MLV	1
Leviton	SureSlide	IPL06	INC	1
Control4	Forward phase dimmer	C4-FPD 120 FWD*	INC	1
Lutron	Diva	DVELV*	ELV	1
Lutron	Maestro	MAELV*	ELV	1
Lutron	Vive	MRF25-6ELV*	ELV	1
Lutron	Caseta	PD-5NE*	ELV	1
Leviton	Illumatech	IPE04	ELV	4
Lutron	Maestro	RRD-PRO REV	PHA	1
Control4	Phase Adaptive Dimmer	C4-APD 120*	PHA	1
Lutron	Maestro	RRD-PRO FWD*	PHA	1

**WarmDim® **

Manf.	Product Family	Series	Type	Min Light(%)
Acuity	nLight nSP5PCD ELV	nSP5PCD ELV*	ELV	1
Acuity	nLight nSP5PCD ELV	PCDM*	ELV	1
Acuity	Fresco LMPM	LMPM 2D 2L*	PHA	1
Lutron	LP	LP-RPM-4A *	PHA	1
Lutron	LP	LP-RPM-4U*	INC	1
Lutron	GrafikEye QS	Lutron PHPM-PA-120*	PHA	1
Lutron	GrafikEye QS	Lutron Grafik Eye QSGRJ-3P*	MLV	1
Lutron	HomeWorks QS	PHPM-PA-120*	PHA	1
Lutron	HomeWorks QS	HW-RPM-4A*	PHA	1
Legrand	Wattstopper	LMRC-221-U*	PHA	1
Control4	8 Ch Dimmer	C4-DIN-8DIM-E*	PHA	1
Crestron	Phase Adaptive Dimmer	6501748*	PHA	1



Static White, WarmDim® & Tunable White

0-10V Dimming (GZ1, EZ1, EZB drivers)

WALL DIMMERS

Manf.	Product Family	Series	Type	-EZ1/-GZ1 Min. Light (%)	-EZB Min. Light (%)
Lutron	Diva	DVTV	0-10V	1	<1
Lutron	Nova	NFTV	0-10V	1	<1
Lutron	Nova T	NTFTV	0-10V	1	<1

INTEGRATED CONTROL SYSTEMS

Manf.	Product Family	Series	Type	-EZ1/-GZ1 Min. Light (%)	-EZB Min. Light (%)
Lutron	GrafikEye QS	GRX-TVI*	0-10V	1	<1
Lutron	HomeWorks QS	GRX-TVI*	0-10V	1	<1
Lutron	HomeWorks QS	GRX-TVM2*	0-10V	1	<1
Lutron	LCP128	GRX-TVI*	0-10V	1	<1
Lutron	LCP128	GRX-TVM2*	0-10V	1	<1
Lutron	LP	GRX-TVM2*	0-10V	1	<1
Lutron	RadioRA2	LMJ-5T-DV-B	0-10V	1**	<1
Crestron	GreenLight	DIN-4DIMFLV4	0-10V	1	<1
Lutron	Energi Tripak	RMJ-5T-DV-B	0-10V	1	<1
Wattstopper	DLM	LMRC-211	0-10V	1	<1
Insteon	Ballast Dimmer	2475DA2	0-10V	1	<1

\*: Aculux recommended dimmers

\*\* : Not tested with -GZ1

+: Requires a separate relay module to turn luminaire on/off