

DIGITAL NAVIGATION

[Ordering Tree](#) [nLight Platform](#) [Photometrics](#) [Performance Data](#)

FEATURES & SPECIFICATIONS

INTENDED USE — The CPX Series LED is an extension of the Lithonia CPX platform and has a back-lit panel that features an external driver. This cost-effective, reliable flat panel is visually comfortable and can be recessed mounted. Suitable for many applications such as schools, offices, retail, convenience stores, hospitals, healthcare facilities and other commercial spaces. Certain airborne contaminants can diminish the integrity of acrylic. [Click here for Acrylic Environmental Compatibility table for suitable uses.](#) **U.S. Patent No. 10,681,784.** This product is rated for use in ISO5-9 cleanrooms and will not contaminate the space and will be able to seal off the room from the plenum and prevent the flow of air between the two.

CONSTRUCTION — A metal frame with satin white lens provides excellent shielding and uniform luminance. For IP65, the full gasketing encloses the fixture and is positioned between the bottom acrylic or polycarbonate lens and the T-grid, creating a barrier to prevent water from seeping into the fixture. CPX's low-profile design provides increased installation flexibility especially in restricted plenum spaces.

ELECTRICAL — Direct-lit Panel with Long-Life LEDs, coupled with a high-efficiency driver, provide superior illumination for extended service life. Greater than 70% LED lumen maintenance at 60,000 hours (L80>60,000). CPXTW offers 6 different lumen packages ranging from 2000 to 6000 lumens.

This fixture offers flicker free dimming with capability to dim to 1%. Driver disconnect provided where required to comply with US and Canadian codes.

Tunable white nTune™ is an all-digital light color temperature control within an nLight enabled luminaire. This brings tunable white lighting control into the mainstream with repeatable, consistent results in an economical luminaire form and system already familiar to schools. Designers and facility operators are granted the freedom to tie scenes to specific activities or to complement colors or materials within a visual environment. nTune™ allows color temperature settings through the Productivity Range of 3000K-5000K and the Rhythm Range of 2700K to 6500K. Refer to the Programming User's Guide for instructions on customizing to your application with SensorView.

Integrated Sensor (nLight Wired Networking): This sensor is nLight-enabled, meaning it has the ability to communicate over an nLight network. When wired, using CAT-5 cabling, with other nLight-enabled sensors, power packs, or WallPods, an nLight control zone is created. Once linked to a Gateway, directly or via a Bridge, the zone becomes capable of remote status monitoring and control via SensorView software.

LISTINGS — CSA certified to meet US and Canadian standards. Meets IP65 Rating from the room side only. Wet location listed. IP5X Rated. Some versions are IP65 rated, see Diffuser options section for details. DesignLights Consortium® (DLC) qualified product. Not all versions of this product may be DLC qualified. Please check the DLC Qualified Products List at www.designlights.org/QPL to confirm which versions are qualified. IC rated. IK10 Rated with Polycarbonate lens. Tested in accordance with ISO 14644-14; suitable for ISO Class 5-9 positive and negative pressure clean rooms. Rated for NSF/ANSI Standard 2 Light Fixture for Splash Zone and Non-Food Zone.

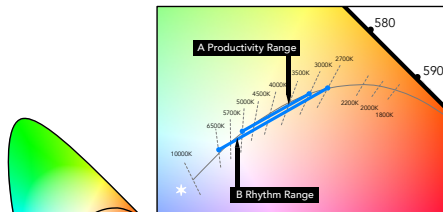
BUY AMERICAN ACT — Product with the BAA option is assembled in the USA and meets the Buy America(n) government procurement requirements under FAR, DFARS and DOT regulations. Please refer to www.acuitybrands.com/buy-american for additional information.

WARRANTY — 5-year limited warranty. This is the only warranty provided and no other statements in this specification sheet create any warranty of any kind. All other express and implied warranties are disclaimed. Complete warranty terms located at: www.acuitybrands.com/support/warranty/terms-and-conditions

Note: Actual performance may differ as a result of end-user environment and application. All values are design or typical values, measured under laboratory conditions at 25 °C. Specifications subject to change without notice.

Tunable White GPHD

- **Gamut:** One dimensional Warm-Cool
- **Path:** Direct 3000K to 5000K (Productivity Range) or 2700K to 6500K (Rhythm Range)
- **Handle:** Two Natural Language Handles: Intensity and CCT
- **Data:** nLight with nTune technology for both handles of control



A Productivity Range 3000K to 5000K
B Rhythm Range 2700K to 6500K

Catalog Number
Notes
Type

CPXTW LED PANEL

Tunable White Configurable

1' x 4', 2' x 2' and 2' x 4'



*Tested in accordance with ISO 14644-1; suitable in ISO Class 5-9 positive and negative pressure clean rooms.

Embed nLight controls today. Prepare for tomorrow.

Now	Tomorrow
User-friendly install	Scalability
Enhanced energy savings	Space configuration
Code compliance	Future-ready

A+ Capable Luminaire


This item is an A+ capable luminaire, which has been designed and tested to provide consistent color appearance and out-of-the-box control compatibility with simple commissioning.

- All configurations of this luminaire meet the Acuity Brands' specification for chromatic consistency
- This luminaire is part of an A+ Certified solution for nLight® control networks when ordered with drivers marked by a shaded background*
- This luminaire is part of an A+ Certified solution for nLight control networks, providing advanced control functionality at the luminaire level, when selection includes driver and control options marked by a shaded background*

To learn more about A+, visit www.acuitybrands.com/aplus.

*See ordering tree for details

Configurable CPX Tunable White LED Flat Panel

 A+ Capable options indicated by this color background.

ORDERING INFORMATION

Example: CPXTW 2X2 TUWH PROR 4000LM 80CRI SWL MVOLT NLT

Series	Fixture Dimension	Dynamic Feature	Dynamic Range	Lumen Output	CRI	Diffuser
CPXTW LED Panel Tunable White	1X4 1' X 4'	TUWH Tunable White	PROR Productivity range (3000-5000K) RHYR Rhythm range (2700-6500K)	2000LM Nominal 2000 lumens	80CRI 80 CRI	SWL Satin White
				3000LM Nominal 3000 lumens		A12 Prismatic A12 Pattern
				4000LM Nominal 4000 lumens		ASWM Acrylic Satin White Lens, Matte, IP Rated ‡
	5000LM Nominal 5000 lumens			PCSWM Polycarbonate Satin White Lens, Matte, IP Rated ‡		
	2000LM Nominal 2000 lumens			A12M Acrylic Lens, 12 Pattern, Matte, IP Rated ‡		
	3000LM Nominal 3000 lumens			PC12M Polycarbonate Lens, 12 Pattern, Matte, IP Rated ‡		
	4000LM Nominal 4000 lumens					
	5000LM Nominal 5000 lumens					
	6000LM Nominal 6000 lumens					

Voltage	Emergency Option	Control Interface Type	Networked Controls	IP Rating ‡	Options
MVOLT 120-277V 120 120V 277 277V 347 347V ‡	(blank) no battery E10WLCP EM Self-Diagnostic battery pack, 10W Constant Power, CEC compliant E7W 7W, noncompliant with CA T20 GTD Generator Transfer Device	NLT nLight no constant lumen management NLTEMG nLight no constant lumen management. For use with generator supply EM power.	(blank) No sensor PIR Occ sensing with passive infrared - on/off functionality PDT Occ sensor dual tech (passive infrared & microphonics) APIR Occ sensing with passive infrared - on/off functionality and auto dimming photocell APDT Occ sensor dual tech (passive infrared & microphonics) and auto dimming photocell	(blank) IP65 IP65 Rated ‡	BAA Buy America(n) Act Compliant GLR Fast-blowing fuse ‡ GMF Slow-blowing fuse ‡ PWS1836 6' pre-wire, 3/8" diameter, 18 gauge, 1 circuit ‡ PWS1846 6' pre-wire, 3/8" diameter, 18 gauge, 2 circuit ‡ DWAM Anti-Microbial paint NPLT Narrow Pallet

NOTE: ‡ indicates option chosen has ordering restriction or note. Please reference restrictions/notes chart below. Restriction notes are sorted in the sequence they appear in the order tree.

‡ Option Value Ordering Notes/Restrictions	
Option value	Restriction
Diffuser	ASWM, PCSWM, A12M and PC12M only available when an IP rating is selected.
347	347 not available with E10WLCP, E7W, and GTD options.
GLR, GMF	Must specify voltage. 120 or 277, with GLR and GMF fusing.
IP Rating	Not available with any Sensor option.
IP65	Not available with BAA.
PWS1836	Not available with E10WLCP, E7W, or GTD.
PWS1846	Only available with E10WLCP or E7W.

ACCESSORIES

Accessories: Order as separate catalog number.	
ILBLP CP10 HE SD A	IOTA 10 Watt Constant Power, High Efficiency LED Emergency Driver for CA Title 20 ‡
ELA PSDMT	Remote mount tray for ILBLP battery.
DGA14	Drywall grid adapter for 1x4 recessed fixture. ²
DGA22	Drywall grid adapter for 2x2 recessed fixture. ²
DGA24	Drywall grid adapter for 2x4 recessed fixture. ²
1X4SMKSH	Multi-Use Surface Mount Kit 1x4, Shallow Depth ²
2X2SMKSH	Multi-Use Surface Mount Kit 2x2, Shallow Depth ²
2X4SMKSH	Multi-Use Surface Mount Kit 2x4, Shallow Depth ²
1X4SMKSH PAF	Multi-Use Surface Mount Kit 1X4 Post-Paint ²
2X2SMKSH PAF	Multi-Use Surface Mount Kit 2X2 Post-Paint ²
2X4SMKSH PAF	Multi-Use Surface Mount Kit 2X4 Post-Paint ²
PAC 2DNF 36	Panel Air Craft Kit, 2 cables with Y splitter, No Power Feed, 36 inches. Recommended for 2X2 or 1X4 Panel Fixture. ²
PAC 2DF 36	Panel Air Craft Kit, 2 cables with Y splitter, with Power Feed, 36 inches. Recommended for 2X2 or 1X4 Panel Fixture. ^{1,2}
PAC 4DNF 36	Panel Air Craft Kit, 4 cables, No Power Feed, 36 inches. Recommended for 2X4 or 2X2 or 1X4 Panel Fixtures. ²
PAC 4DF 36	Panel Air Craft Kit, 4 cables, with Power Feed, 36 inches. Recommended for 2X4 or 2X2 or 1X4 Panel Fixtures. ^{1,2}
PAC 2DNF 72	Panel Air Craft Kit, 2 cables with Y splitter, No Power Feed 72 inches. Recommended for 2X2 or 1X4 Panel Fixture. ²
PAC 2DF 72	Panel Air Craft Kit, 2 cables with Y splitter, with Power Feed, 72 inches. Recommended for 2X2 or 1X4 Panel Fixture. ^{1,2}
PAC 4DNF 72	Panel Air Craft Kit, 4 cables, No Power Feed, 72 inches. Recommended for 2X4 or 2X2 or 1X4 Panel Fixtures. ²
PAC 4DF 72	Panel Air Craft Kit, 4 cables, with Power Feed, 72 inches. Recommended for 2X4 or 2X2 or 1X4 Panel Fixtures. ^{1,2}
RK8BDP 2P U	Disconnect Plug (BDP), 2 Pole, Package of 1
RK8BDP 3P U	Disconnect Plug (BDP), 3 Pole, Package of 1
RK8BDP 2P J10	Disconnect Plug (BDP), 2 Pole, Package of 10
RK8BDP 2P J40	Disconnect Plug (BDP), 2 Pole, Package of 40

Emergency Battery Delivered Lumens
Use the formula below to determine the delivered lumens in emergency mode
Delivered Lumens = 1.25 x P x LPW
P = Output power of emergency driver (10W for PS1055)
LPW = Lumen per watt rating of the luminaire.

Notes
1. For MVOLT only, not available with 347V.
2. Not available with IP65 option

PERFORMANCE DATA

Fixture Size	Lumen Package	(PROR) LUMEN OUTPUT PER SCALING PROCEDURE, PER CCT				
		3000K	3500K	4000K	4500K	5000K
1X4	2000LM	2102	1994	2128	2076	1983
	3000LM	3253	3086	3293	3213	3068
	4000LM	4262	4043	4315	4210	4020
	5000LM	5210	4942	5274	5147	4914
2X2	2000LM	2114	2077	2077	2142	2173
	3000LM	3488	3426	3426	3534	3584
	4000LM	4159	4085	4085	4213	4274
2X4	3000LM	3216	3257	3313	3535	3343
	4000LM	4312	4367	4442	4740	4482
	5000LM	5221	5287	5377	5738	5426
	6000LM	6464	6546	6658	7105	6718

(RHYR) LUMEN OUTPUT PER SCALING PROCEDURE, PER CCT							
2700K	3000K	3500K	4000K	4500K	5000K	5700K	6500K
1991	1973	1944	1928	2121	2087	2002	1972
3065	3037	2992	2968	3265	3213	3083	3036
4063	4026	3966	3934	4327	4258	4086	4023
4883	4838	4766	4727	5200	5117	4910	4835
1996	1972	1960	1961	1998	2003	2017	2041
3295	3255	3235	3237	3299	3307	3329	3370
3900	3853	3829	3831	3904	3913	3940	3988
3143	3163	3206	3224	3215	3169	3170	3222
4209	4236	4293	4317	4306	4244	4245	4315
5072	5105	5174	5203	5189	5115	5116	5200
6355	6396	6483	6519	6501	6409	6410	6515

Fixture Size	Lumen Package	(PROR) POWER INPUT PER SCALING PROCEDURE, PER CCT				
		3000K	3500K	4000K	4500K	5000K
1X4	2000LM	16.0	14.5	15.3	15.2	14.9
	3000LM	26.9	24.3	25.7	25.5	25.0
	4000LM	36.9	33.3	35.2	34.9	34.3
	5000LM	44.6	40.3	42.6	42.2	41.5
2X2	2000LM	17.7	16.0	15.7	16.4	17.3
	3000LM	30.0	27.2	26.6	27.9	29.4
	4000LM	35.4	32.1	31.4	32.9	34.6
2X4	3000LM	26.4	24.2	23.8	26.5	26.0
	4000LM	35.3	32.4	31.9	35.5	34.7
	5000LM	43.9	40.2	39.6	44.1	43.1
	6000LM	56.4	51.7	50.9	56.7	55.4

(RHYR) POWER INPUT PER SCALING PROCEDURE, PER CCT							
2700K	3000K	3500K	4000K	4500K	5000K	5700K	6500K
16.2	16.4	15.6	15.2	16.8	16.6	16.1	16.1
25.3	25.6	24.4	23.7	26.2	26.0	25.1	25.1
36.6	37.0	35.2	34.3	37.8	37.5	36.3	36.3
44.0	44.4	42.3	41.2	45.5	45.1	43.6	43.6
18.1	17.0	16.0	15.7	15.9	16.1	16.4	17.0
30.1	28.4	26.8	26.2	26.6	26.8	27.3	28.3
36.2	34.1	32.2	31.5	31.9	32.3	32.8	34.0
26.1	25.0	24.1	23.7	23.7	23.5	24.0	25.1
35.0	33.5	32.3	31.8	31.7	31.6	32.1	33.7
43.6	41.7	40.3	39.7	39.5	39.3	40.0	42.0
56.3	53.9	52.0	51.2	51.1	50.8	51.7	54.2

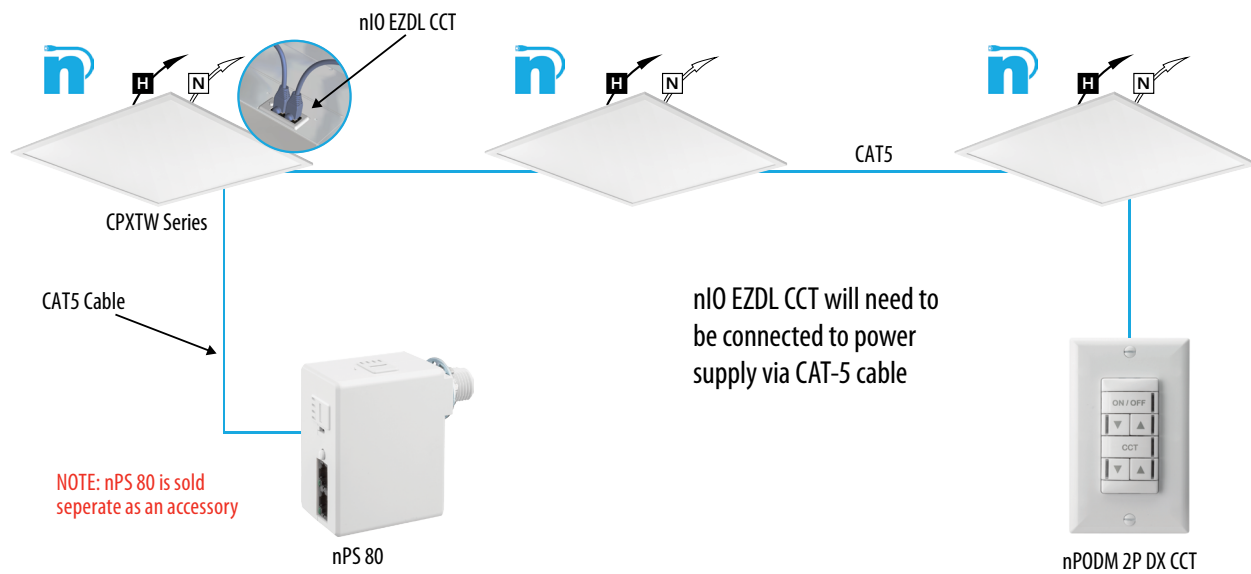
Fixture Size	Lumen Package	(PROR) LPW PERFORMANCE PER SCALING PROCEDURE, PER CCT				
		3000K	3500K	4000K	4500K	5000K
1X4	2000LM	131.0	137.7	138.8	136.9	132.9
	3000LM	120.8	127.0	128.1	126.3	122.5
	4000LM	115.6	121.6	122.5	120.8	117.3
	5000LM	116.7	122.7	123.7	121.9	118.4
2X2	2000LM	119.6	129.7	132.4	130.2	125.6
	3000LM	116.2	126.0	128.7	126.6	122.1
	4000LM	117.5	127.4	130.1	127.9	123.4
2X4	3000LM	121.8	134.5	138.9	133.1	128.8
	4000LM	122.1	134.8	139.2	133.5	129.1
	5000LM	119.0	131.4	135.7	130.1	125.9
	6000LM	114.6	126.6	130.7	125.3	121.2

(RHYR) LPW PERFORMANCE PER SCALING PROCEDURE, PER CCT							
2700K	3000K	3500K	4000K	4500K	5000K	5700K	6500K
122.7	120.4	124.4	126.9	126.4	125.5	124.5	122.5
121.0	118.6	122.6	125.0	124.6	123.7	122.7	120.7
111.1	108.9	112.6	114.8	114.4	113.6	112.6	110.8
111.1	108.9	112.6	114.8	114.4	113.6	112.6	110.8
110.6	115.8	122.1	124.9	125.4	124.4	123.3	120.3
109.5	114.7	120.9	123.7	124.2	123.2	122.0	119.1
107.8	112.9	119.0	121.7	122.2	121.3	120.1	117.2
120.5	126.6	133.0	135.8	135.9	134.6	132.3	128.2
120.3	126.5	132.8	135.6	135.7	134.4	132.1	128.1
116.4	122.3	128.5	131.1	131.2	130.0	127.8	123.9
112.9	118.7	124.6	127.2	127.3	126.1	124.0	120.2

Intelligent Luminaire Technology Guide

Choose nomenclature from these columns							
Control/ Sensor Configurations	Control Input	Sensor	Sensor	Notes			
	NLT	(blank)	nIO EZDL CCT	nLight enabled only. No onboard sensor.			
	NLT	PIR	nIO EZDL CCT + nES 7	nLight enabled with PIR integral occupancy sensor.			
	NLT	PDT	nIO EZDL CCT + nES PDT 7	nLight enabled with dual technology occupancy control sensor.			
	NLT	APIR	nIO EZDL CCT + nES 7 ADCX	nLight enabled with PIR integral occupancy sensor with automatic dimming photocell.			
	NLT	APDT	nIO EZDL CCT + nES PDT 7 ADCX	nLight enabled with dual technology occupancy controls sensor with automatic dimming photocell.			
	NLTEMG	(blank)	nIO EZDL ER CCT	Emergency nLight enabled only. No onboard sensor.			
	NLTEMG	PIR	nIO EZDL ER CCT + nES 7	Emergency nLight enabled with PIR integral occupancy sensor.			
	NLTEMG	PDT	nIO EZDL ER CCT + nES PDT 7	Emergency nLight enabled with dual technology occupancy control sensor.			
	NLTEMG	APIR	nIO EZDL ER CCT + nES 7 ADCX	Emergency nLight enabled with PIR integral occupancy sensor with automatic dimming photocell.			
	NLTEMG	APDT	nIO EZDL ER CCT + nES PDT 7 ADCX	Emergency nLight enabled with dual technology occupancy controls sensor with automatic dimming photocell.			

Tunable White Option (CAT5 wiring to nIO EZDL CCT & nPS 80)



Simple as 1, 2, 3

1. Install the nLight® Wired fixtures with embedded control
2. Install the nLight Wired wall switch
3. Connect the fixtures using standard CAT5e cables and the devices will automatically discover each other and work (plug and play)

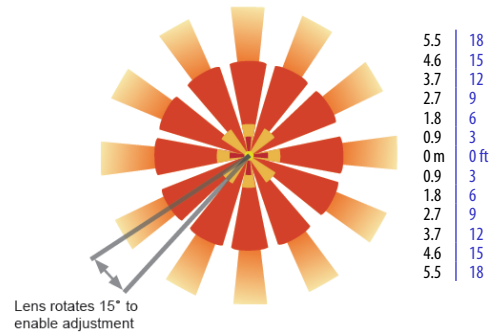
nLight embedded fixtures offer:	Customers get:
Manual Dimming	Convenience and visual comfort for occupants
Motion Sensing and/or Daylight Harvesting	Energy savings and code compliance
Fixture or Group Level Control	Ability to configure lighting to the space requirements
Flexibility	Ease of fixture moves, adds and changes
Wireless Wall Switch (nLight AIR Only)	Ease and flexibility of placement
Astronomical and Time of Day Scheduling	Energy savings and building security
Scalable Solution	nLight controls to grow with your business
Future-Ready	nLight platform to set foundation for future upgrades and capabilities

Sensor Options				
Option	Automatic Dimming Photocell	Occupancy Sensing		nLight Wired Networking
		PIR	PDT	
PIR		X		X
APIR	X	X		X
PDT			X	X
APDT	X		X	X

Sensor Coverage Pattern Mini 360° Lens

- Recommended for walking motion detection from mounting heights between 8 ft (2.44 m) and 20 ft (6.10 m)
- Initial detection of walking motion along sensor axes at distances of 2x the mounting height up to 15 ft (4.57 m) and 1.75x up to 20 ft (6.10 m).
- Provides 12 ft (3.66 m) radial detection of small motion when mounted at 9 ft (2.74 m)
- Initial detection will occur earlier when walking across sensor's field of view rather than when walking directly at sensor

9 FT Mounting

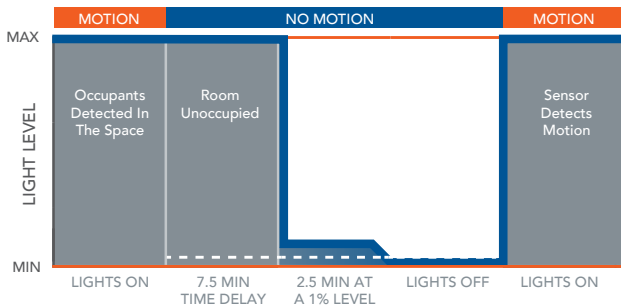


nLight Wired Networking

The nES 7 is ideal for small rooms without obstructions or areas with primarily walking motion. Ideal areas include hallways, corridors, storage rooms, and breakrooms. Additionally, the nES7ADCX includes an integrated photocell, which enables daylight harvesting controls.

For areas like restrooms, private offices, open offices, conference rooms or any space with obstructions, the nES PDT 7 dual technology sensor is recommended. The nES PDT 7 utilizes both PIR (passive infrared) and Microphonics technologies to detect occupancy. Additionally, the nESPDT7ADCX includes an integrated photocell, which enables daylight harvesting controls which is ideal for areas where windows are present.

Sequence of Operation (nES7 Sensor)



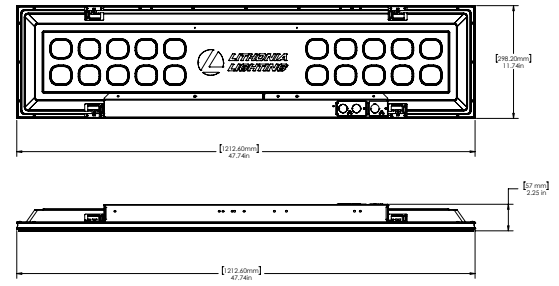
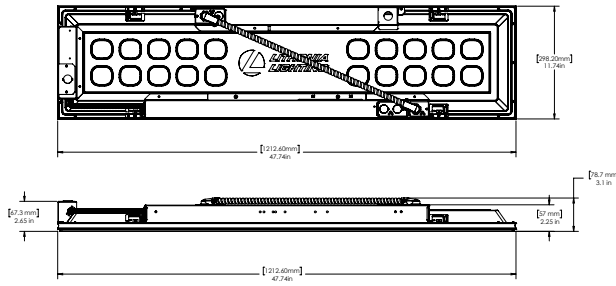
*The presetting on the automatic dimming photocell is 5fc (NES7).

PHOTOMETRICS

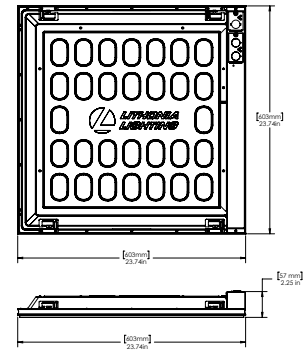
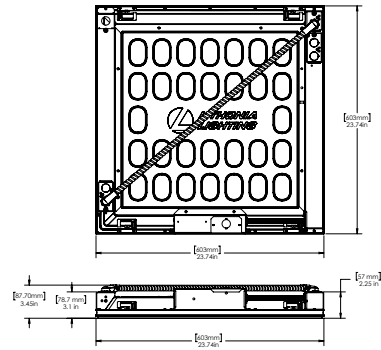
See www.lithonia.com for photometry reports.

DIMENSIONS

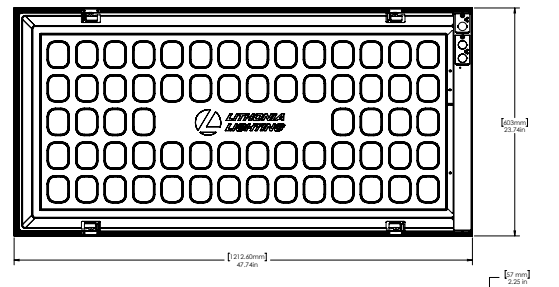
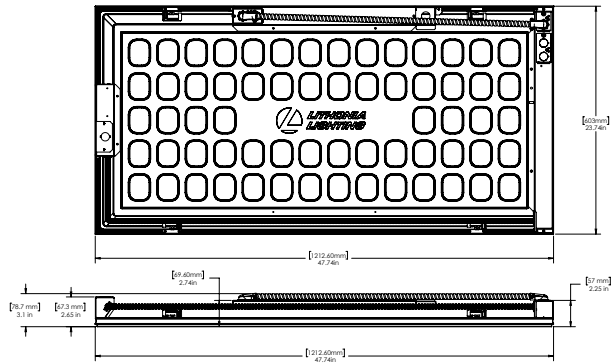
Length: 47.8" 121.4cm
 Width: 11.8" 30.0cm
 Depth: 2.3" 5.7cm
 Weight:
 Unit: 9.25 lbs
 Unit Carton: 10.25 lbs



Length: 23.8" 60.5cm
 Width: 23.8" 60.5cm
 Depth: 2.3" 5.7cm
 Weight:
 Unit: 9.45lbs
 Unit Carton: 10.45lbs

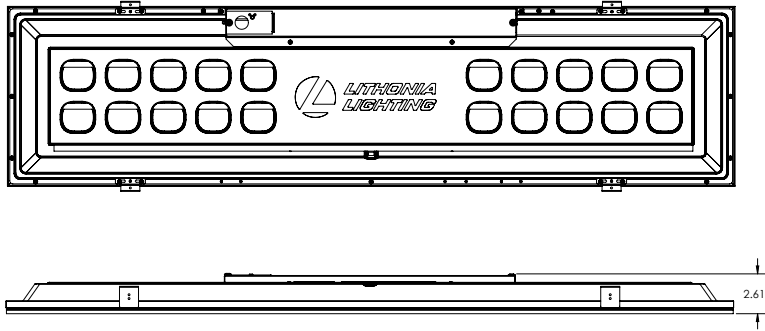


Length: 47.8" (121.4cm)
 Width: 23.8" 60.5cm
 Depth: 2.3" 5.7cm
 Weight:
 Unit: 17.25 lbs
 Unit Carton: 19.25 lbs

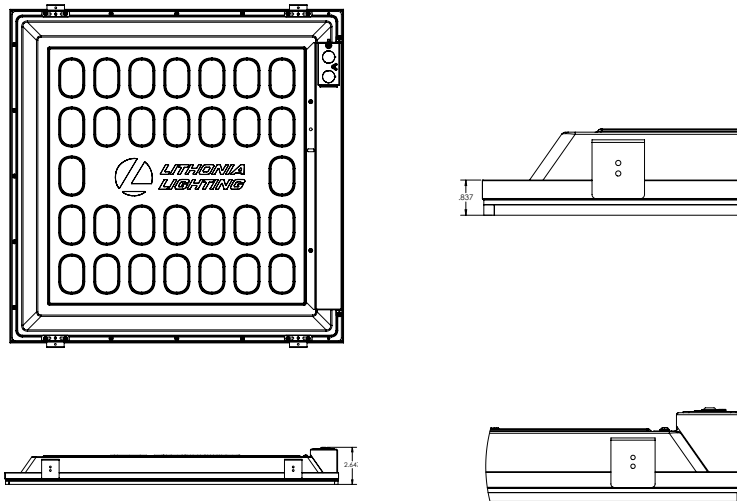


DIMENSIONS with IP65

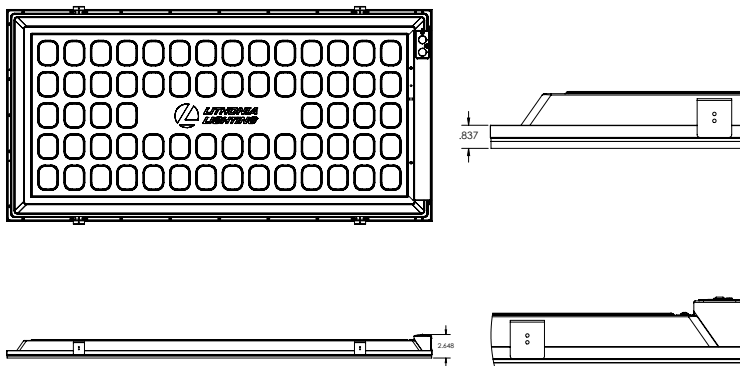
Length: 47.8" 121.4cm
 Width: 11.8" 30.0cm
 Depth: 2.6" 6.7cm
 Weight:
 Unit: 9.25 lbs
 Unit Carton: 10.25 lbs



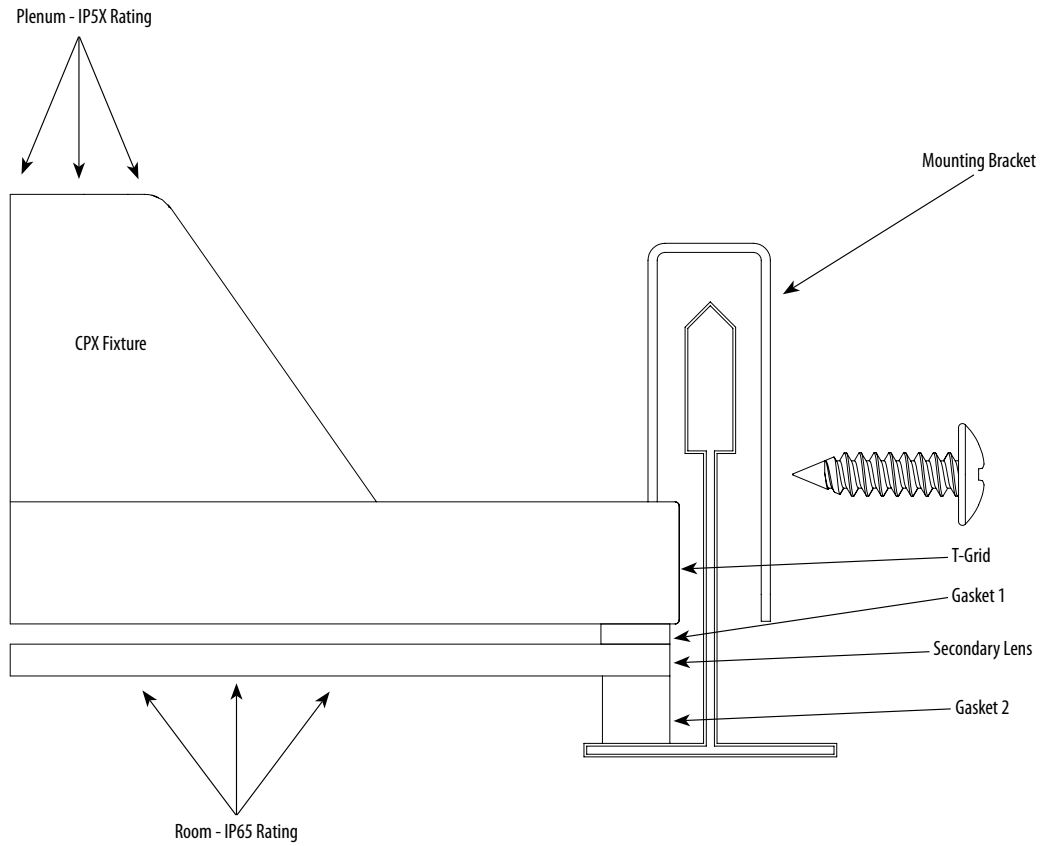
Length: 23.8" 60.5cm
 Width: 23.8" 60.5cm
 Depth: 2.6" 6.7cm
 Weight:
 Unit: 9.45 lbs
 Unit Carton: 10.45 lbs



Length: 47.8" (121.4cm)
 Width: 23.8" 60.5cm
 Depth: 2.6" 6.7cm
 Weight:
 Unit: 17.25 lbs
 Unit Carton: 19.25 lbs



IP RATED FIXTURE CROSS SECTION



Screws must be applied during installation in order to be IP65 rated on room side.

