

VRDL4

Vandal Resistant

VRDL4 Series TUWH



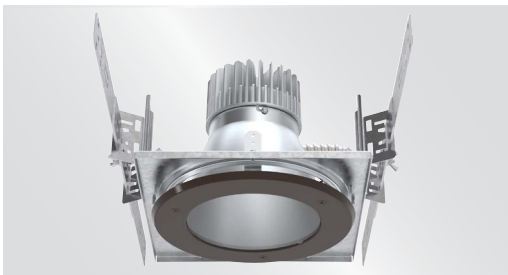
Fixture Type	Date
Job Name	Approved By
Catalog Number	

SPECIFICATIONS



Description	The VRDL recessed downlight features a ligature-resistant construction suitable for behavioral institutions and vandal-prone areas.
Lens	Impact resistant polycarbonate lens with 0.25" nominal thickness. Available with patent pending flanged or flangeless (GB) trim. If IP66 rating is required, no-pick caulk (or vandal resistant equivalent caulk) is recommended. See Installation Instructions for more detail. Lens and trim secured with tamper resistant center pin reject TORX fasteners to prevent intrusion and mitigate ligature.
LED Drivers	Factory tuned constant current electronic dimming driver is standard. Flicker free dimming available down to <1%. Electrical specifications, PF >.9 and THD <20%. Meets FCC Title 47 Class A or Class B.
LED	RHYR or PROR 90CRI. All LED within a 2.5 step MacAdam ellipse.
Controls and System Networking Options	Optional integrated nLight® controls make each fixture addressable - allowing it to digitally communicate with other nLight enabled controls such as dimmers, switches, occupancy sensors, and photocontrols. Connection to nLight is simple. It can be accomplished with remote nLight AIR wireless or through standard Cat-5 cabling. (cabling "by others") nLight offers unique plug-and-play convenience as devices and luminaires automatically discover each other, while nLight AIR is commissioned easily through an intuitive mobile app.
Listing	CSA certified to meet U.S. and Canadian standards (UL1598 and UL8750) and CAN/CSA C22.2 No. 250.0. Standard is wet location and IP66 @ IK10. Certified for NSF Splash Zone 2 with AMF and BSS finish. Non-IC rated.
Government Procurement	BAA – Buy America(n) Act: Product qualifies as a domestic end product under the Buy American Act as implemented in the FAR and DFARS. Product also qualifies as manufactured in the United States under DOT Buy America regulations. BABA – Build America Buy America: Product qualifies as produced in the United States under the definitions of the Build America, Buy America Act. Please refer to www.acuitybrands.com/buy-american for additional information.
Warranty	Lifetime warranty against vandalism. Luminaire LED will repair or replace any fixture damaged due to vandalism for the lifetime of the installation. 10-year warranty on LED boards against operational defects. Tested in accordance with LM-80. This is the only warranty provided and no other statements in this specification sheet create any warranty of any kind. All other express and implied warranties are disclaimed.
Note	Actual performance may differ as a result of end-user environment and application. All values are design or typical values, measured under laboratory conditions at 25 °C. Specifications subject to change without notice.

COMPANION LUMINAIRE VRDL6



ORDERING INFORMATION

Example: VRDL4 GB DARK NLT 1500LM TUWH PROR MD 90CRI 120 CAL AMF

Series*		Mounting*		Driver*		Control Input*		Lumens*		Dynamic Feature*		Dynamic Range*	
VRDL4	Vandal Resistant 4" Recessed Downlight Luminaire	<BLANK> GB ¹	If used with Flanged or Grid Gypsum Board (Sheetrock)	DARK	Constant Current, Dimming to <1%	NLT	nLight nTune Interface	1000LM 1500LM 2000LM 2500LM	1000 lumens 1500 lumens 2000 lumens 2500 lumens	TUWH Tunable White		RHYR PROR	Rhythm Range (2700K-6500K) Productivity Range (3000K-5000K)

Distribution*		CRI*		Voltage*		Lens*		Finish*	
MD	Medium (1.0 s/mh)	90CRI	90 CRI	120	120 Volt	CPL	Clear Polycarbonate	AMF	White Antimicrobial Finish
WD	Wide (1.2 s/mh)			277	277 Volt	CAL	Clear Acrylic	BLK	Black
				MVOLT	120-277 Volt			BSS	Brushed Stainless Steel
								BRZ	Bronze
								SIL	Silver
								CUST	Custom Color, Consult Factory
								RALTBD	RALTBD

RALTBD for pricing only. Replace with applicable RAL call out when ready to order. See the [RAL BROCHURE](#) for available options.

Emergency	
EMB310T20 ² Self contained, 90 minute emergency battery pack. 0°C (32°F) to 55°C (131°F). Meets CA Title 20 standards	

Fusing		EMI Filter		Controls		Mounting Hardware		Visible Hardware ⁴	
GLR	Fuse and Fuse Holder	RFI	Radio Frequency Interference Filter	GTD ³	Integral Generator Transfer Device	<BLANK> CTA	For Ceilings up to 1 1/4" thick Ceiling Thickness Adapter	<BLANK>	TORX® Screws to Match Luminaire Finish

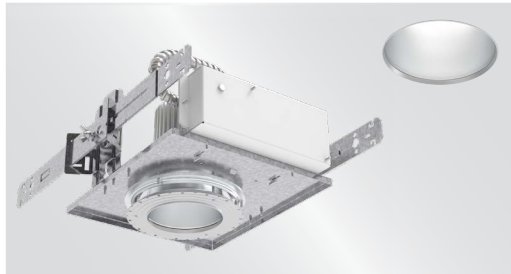
*Required

Ordering Notes

1. Only available with AMF
2. Not available with GTD
3. Not available with RFI and GLR
4. Not available with GB

Accessories: Order as separate catalog number
TXSD TORX® Screwdriver Bit

GB OPTION - FLANGELESS TRIM



PHOTOMETRIC DATA

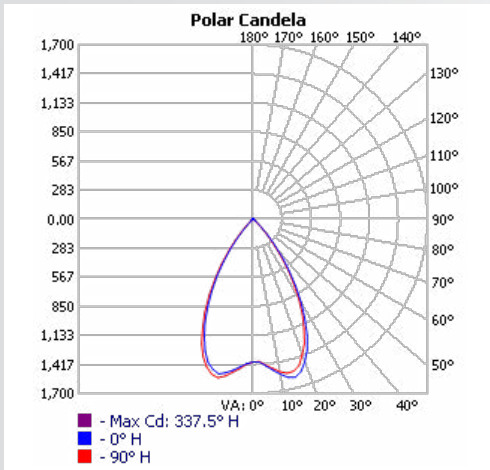
BASED ON 90CRI CPL

VRDL4 TUWH												
NOMINAL LUMENS	1000			1500			2000			2500		
CCT	27K	46K	65K	27K	46K	65K	27K	46K	65K	27K	46K	65K
DELIVERED	1009	886	929	1440	1316	1358	1872	1746	1787	2303	2176	2217
WATTAGE	19	15.8	16.2	27.97	22.77	23.77	36.93	29.73	31.33	45.9	36.7	38.9
EFFICACY	53.11	56.08	57.35	51.48	57.80	57.13	50.69	58.73	57.04	50.17	59.29	56.99

Consult www.acuitybrands.com for photometry.
 Photometric data based on test results from an independent NIST traceable testing lab. IES data is available at Luminaireled.acuitybrands.com.
 Always refer to our website for the latest IES file updates.

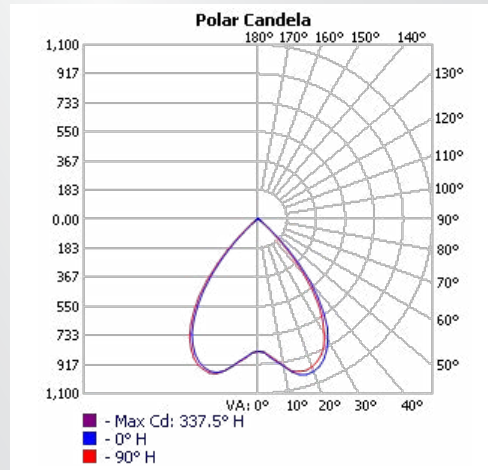
DISTRIBUTION

VRDL4 MD



DISTRIBUTION

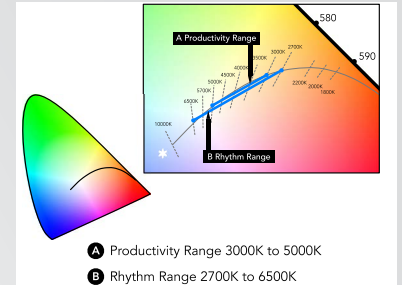
VRDL4 WD



TUNABLE WHITE GAMUT AND RANGE

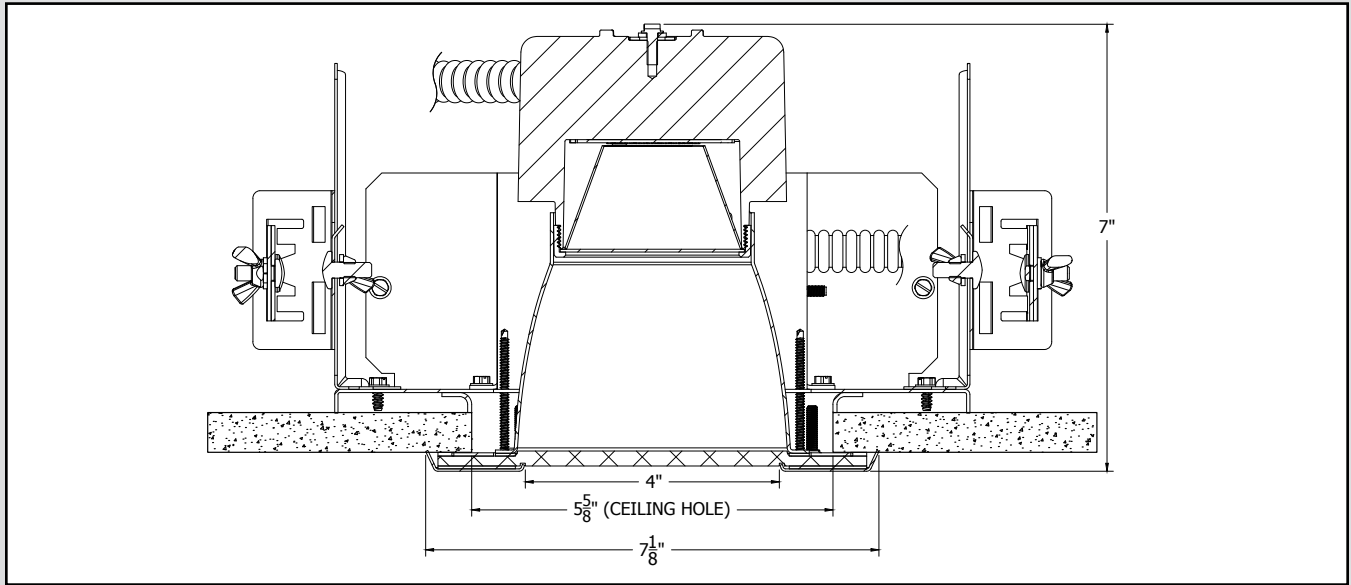
Tunable White GPHD

- Gamut: One dimensional Warm-Cool (W/C)
- Path: Single-segment 6500K to 2700K (Rhythm Range)
- Handle: Two Handles: Intensity and CCT
- Data: nLight with nTune technology for both handles of control



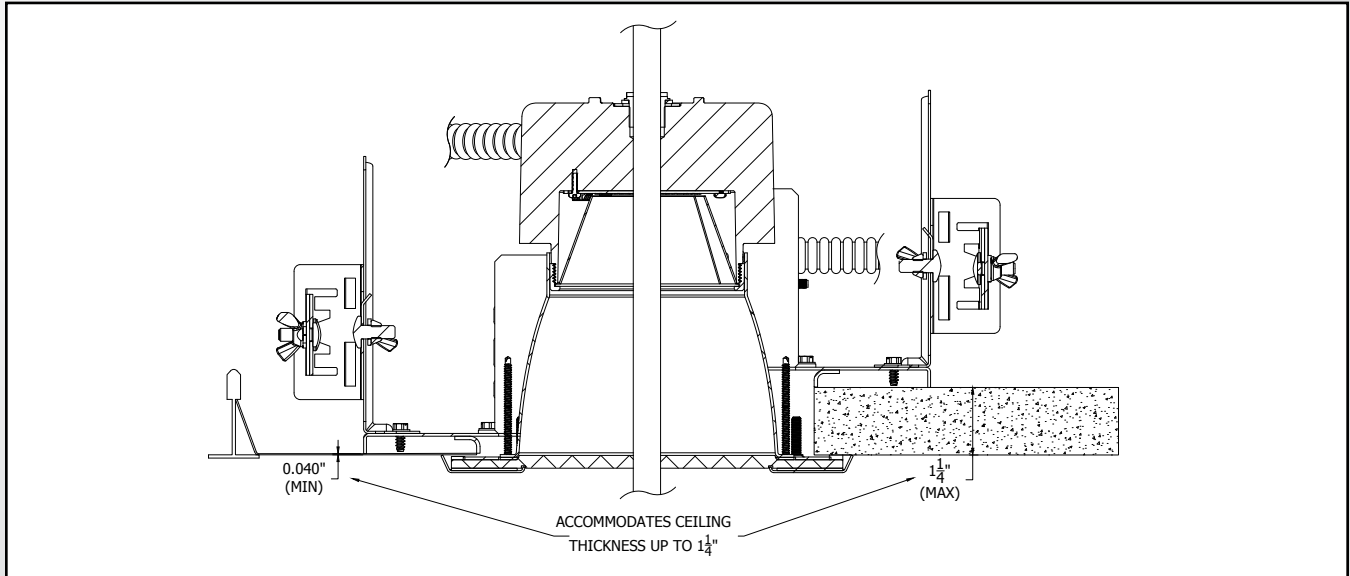
Distribution and Lens Multiplier	
MD	1.00
WD	0.94
CPL	1.00
CAL	1.01

CROSS SECTION DETAILS

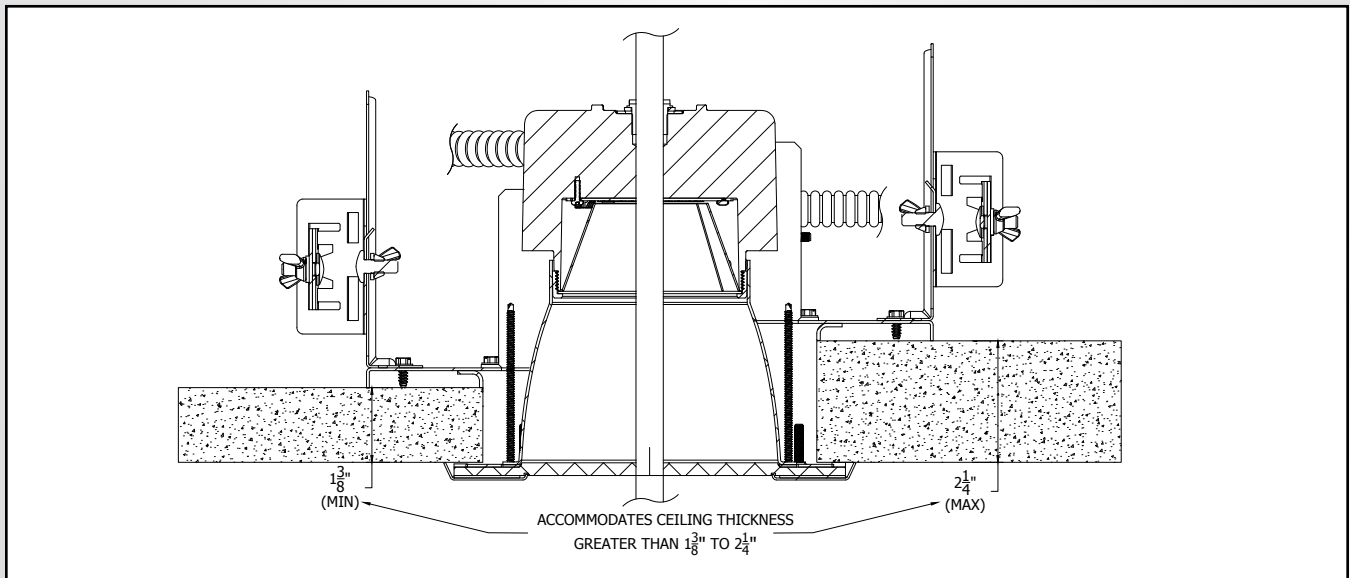


DETAILS

FINISHED CEILING THICKNESS



FINISHED CTA CEILING THICKNESS



DIMENSIONAL DATA

