



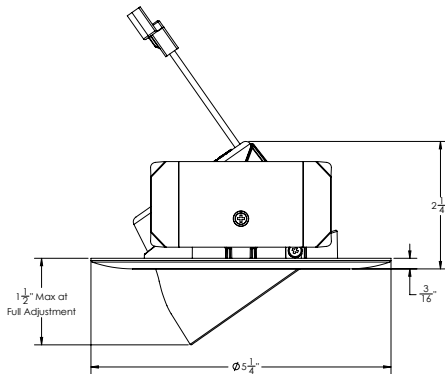
RetroBasics™ LED Adjustable Gimbal 4" Switchable White LED Trim Kit

Project:
Fixture Type:
Location:
Contact/Phone:

RB4A SWW5 Series



Dimensions



E26 Socket Adapter included

- Specifications**
 Aperture: 2.88"
 Ceiling opening: 4.25"
 Overlap trim: 5.25"
 Height: 2.25"
 Vertical Adjustment: 35°

Product Features

RetroBasics LED trim kits provide the most economical solution for efficiently lighting a space using LED technology with virtually zero maintenance. This 4" LED adjustable gimbal can be used for accent lighting and wall washing in any room. Use as a retrofit to replace legacy incandescent technology in an already installed housing or pair with the quick connect LED housings for a low-cost LED downlight solution. The LED trim kit maintains at least 70% light output for 50,000 hours.

- Easily change your LED color temperature directly on the trim
- Switchable white technology provides the flexibility to choose between 5 different LED color temperatures
 - Tactile slider switch integrated into trim allows for easy color selectability
 - Switch factory preset at 3000K CCT
- Practical, functional design
- Robust die cast aluminum trim for years of trouble free operation
 - Flood optic (91 deg beam) with regressed, diffused lens provides even light distribution for accent lighting
 - Adjustable gimbal design provides 35° vertical aiming
 - Available in four painted finishes to compliment any room including matte white, matte black, bronze and satin nickel
- Easy installation and serviceability
- All-in-one design where electronics are integrated into trim replaces the existing lamp and trim
 - Trim features quick connect plug for easy electrical connection in seconds
 - Retention springs are pre-installed and designed to fit into most 4" compatible recessed housings

Applications

- Retrofit into existing recessed housings or use with quick connect housings for new construction or remodel applications
- For use with housings installed in IC rated applications (direct contact with insulation)

Performance

Delivered Lumens	Nominal 720L at 3000K
LED Color Temperature	Switchable White (2700K, 3000K, 3500K, 4000K, 5000K) Default set at 3000K
CRI	90+
Voltage	Dedicated 120V
Dimming	Dimmable flicker-free dimming from 100% to 10%

For a list of compatible dimmers see [JUNORB SERIES-DIM](#)

Other RetroBasics Models Available:

RetroBasics Downlight



4" Downlight



5/6" Downlight

RetroBasics Smart Downlight



4" Downlight



5/6" Downlight

RetroBasics Adjustable Switchable and Smart



5/6" Adjustable



RetroBasics™ LED Adjustable Gimbal

4" Switchable White LED Trim Kit

ORDERING INFORMATION

4" Adjustable Gimbal

Example: RB4A SWW5 MW M6

Series	Color Temperature	Finish	Packaging
RB4A RetroBasics 4" Adjustable	SWW5 Switchable White (2700K, 3000K, 3500K, 4000K, 5000K)	MW Matte White MB Matte Black BRZ Bronze SNP Satin Nickel Paint	M6 Master Pack - individually boxed



Matte White



Matte Black



Bronze



Satin Nickel

Pairs perfectly with Juno housings for a complete downlight solution: Order housings as separate catalog number.

QC4 Series - New Construction Quick Connect LED Housing

QC4R Series - New Construction Quick Connect LED Housing



IC1FW LEDT24 - Firewall Fire Rated Quick Connect LED Housing



Accessories: Order as separate catalog number.

Series
LEDRETROWHIP Replacement E26 screw base adapter for installation into incandescent housings





RetroBasics™ LED Adjustable Gimbal

4" Switchable White LED Trim Kit

Specifications/Electrical Data

Adjustable LED Trim Kit

Cast aluminum trim flange with hybrid aluminum plastic housing • Up to 35° vertical adjustment • Pressed-in diffusing lens optimized for concealing the LEDs from direct view in the on and off state • All-in-one design where LED light engine mounts directly to the trim for ease of installation into existing 4" recessed housings with medium base sockets or quick connect LED housings • Provided with push in friction springs that allows for horizontal placement anywhere within the round housing. • Offered in four painted finishes including matte white, matte black, bronze and satin nickel.

LED Light Engine

LEDs are mounted directly to housing providing superior thermal management to ensure long life • Switchable white LED color temperature technology offers 2700K, 3000K, 3500K, 4000K, 5000K all in one trim • Switch factory set at 3000K • 90 CRI minimum • Accommodates 120 volts DC at 60Hz • Dimmable with most standard incandescent, magnetic low voltage and electronic low voltage dimmers • For a list of compatible dimmers, see [JUNORBSERIES-DIM](#).

Optical System

Regressed, diffused lens at end of mixing chamber to provide even light distribution for accent lighting • Nominal 700L is equivalent to 65W BR30 lamp.

Electrical Connections

Trim features quick connect plug installed as standard for installation into Juno quick connect housings with mating connector • Trim ships with a medium base socket adapter whip for installation into 4" incandescent housings with medium base sockets

Life

Rated for 50,000 hours at 70% lumen maintenance.

Labels

ETL certified to US and Canadian safety standards • ENERGY STAR® certified product • Damp location • NOM Certified • T20 Certified • Can be used to comply with California Title 24 Part 6 High Efficacy LED light Source Requirements

Testing: All reports are based on published industry procedures; field performance may differ from laboratory performance.

Warranty

5-year limited warranty. This is the only warranty provided and no other statements in this specification sheet create any warranty of any kind. All other express and implied warranties are disclaimed. Complete warranty terms located at: www.acuitybrands.com/support/warranty/terms-and-conditions

Note: Actual performance may differ as a result of end-user environment and application.

All values are design or typical values, measured under laboratory conditions at 25 °C.

Specifications subject to change without notice.

PERFORMANCE DATA

RB4A	
Input Voltage	120V
Input Power Typical	8W (+/-5%)
Power Factor	.9
Frequency	60 Hz
EMI/RFI	FCC Title 47, Part 15 Class B (consumer)
Minimum Starting Temp	-20°C (-4°F) minimum

Note: Actual performance may differ as a result of end-user environment and application. All values are design or typical values, measured under laboratory conditions at 25° C

LIGHTING PERFORMANCE DATA DONNÉES SUR LE RENDEMENT DE L'ÉCLAIRAGE	
Light Appearance (CCT) Aspect de la lumière (CCT)	
2700K soft white blanc doux	700 lumens 88 lumens per watt
3000K warm white blanc chaud	720 lumens 90 lumens per watt
3500K neutral white blanc neutre	730 lumens 91 lumens per watt
4000K cool white blanc froid	720 lumens 90 lumens per watt
5000K daylight blanc neutre	700 lumens 88 lumens per watt
Watts	8
Color Accuracy (CRI) Précision des couleurs (CRI)	90

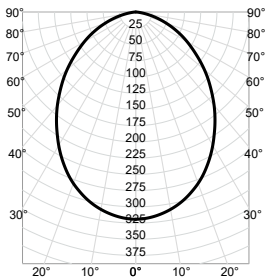


RetroBasics™ LED Adjustable Gimbal

4" Switchable White LED Trim Kit

PHOTOMETRICS

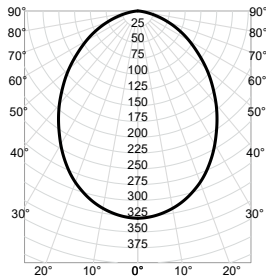
RB4A SWW5 MW M6 - 2700K Input Watts: 8.0, Delivered Lumens: 700, LPW: 87.5, S/MH: 1.12, Test No: 22-552-1P1



CP Summary		Zonal Lumen Summary		Coefficients of Utilization								Cone of Light			Luminance (cd/sq.m)			
0°	Zone	Lumens	% Fixture	pf	pc	80%		20%		50%		Mounting Height	Initial FC Center Beam	Beam Diameter	Average Luminance			
						pw	50%	30%	10%	50%	30%					10%	50%	30%
0°	0° - 30°	233	33%	0	119	119	119	116	116	116	111	111	111	6.0	8.9	12.2	0°	69,997
5°	0° - 40°	366	52%	1	106	102	98	103	100	97	99	96	94	8.0	5.0	16.3	45°	50,351
15°	0° - 60°	593	85%	2	93	87	82	91	86	81	88	83	79	10.0	3.2	20.4	55°	43,270
25°	0° - 90°	700	100%	3	83	75	69	81	74	69	78	72	67	12.0	2.2	24.5	65°	36,371
35°	90° - 180°	0	0%	4	74	66	60	73	65	59	70	64	58	14.0	1.6	28.6	75°	25,921
45°	0° - 180°	700	100%	5	67	58	52	66	58	52	63	56	51				85°	8,526
55°		113		6	60	52	46	59	51	46	58	51	45					
65°		70		7	55	47	41	54	46	41	53	46	40					
75°		31		8	50	42	37	50	42	37	49	41	36					
85°		3		9	47	39	33	46	38	33	45	38	33					
90°		0		10	43	35	30	43	35	30	42	35	30					

Beam Angle: 91.1°
Field Angle: 149.3°

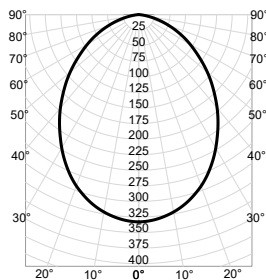
RB4A SWW5 MW M6 - 3000K Input Watts: 8.0, Delivered Lumens: 720, LPW: 90.0, S/MH: 1.12, Test No: 22-552-1P2



CP Summary		Zonal Lumen Summary		Coefficients of Utilization								Cone of Light			Luminance (cd/sq.m)			
0°	Zone	Lumens	% Fixture	pf	pc	80%		20%		50%		Mounting Height	Initial FC Center Beam	Beam Diameter	Average Luminance			
						pw	50%	30%	10%	50%	30%					10%	50%	30%
0°	0° - 30°	240	33%	0	119	119	119	116	116	116	111	111	111	6.0	9.1	12.2	0°	71,997
5°	0° - 40°	377	52%	1	106	102	98	103	100	97	99	96	94	8.0	5.1	16.3	45°	51,790
15°	0° - 60°	610	85%	2	93	87	82	91	86	81	88	83	79	10.0	3.3	20.4	55°	44,506
25°	0° - 90°	720	100%	3	83	75	69	81	74	69	78	72	67	12.0	2.3	24.5	65°	37,410
35°	90° - 180°	0	0%	4	74	66	60	73	65	59	70	64	58	14.0	1.7	28.6	75°	26,662
45°	0° - 180°	720	100%	5	67	58	52	66	58	52	63	56	51				85°	8,769
55°		116		6	60	52	46	59	51	46	58	51	45					
65°		72		7	55	47	41	54	46	41	53	46	40					
75°		31		8	50	42	37	50	42	37	49	41	36					
85°		3		9	47	39	33	46	38	33	45	38	33					
90°		0		10	43	35	30	43	35	30	42	35	30					

Beam Angle: 91.1°
Field Angle: 149.3°

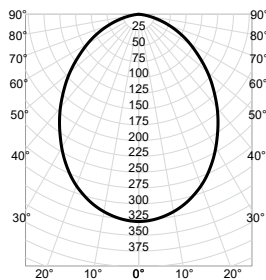
RB4A SWW5 MW M6 - 3500K Input Watts: 8.0, Delivered Lumens: 730, LPW: 91.3, S/MH: 1.12, Test No: 22-552-1P3



CP Summary		Zonal Lumen Summary		Coefficients of Utilization								Cone of Light			Luminance (cd/sq.m)			
0°	Zone	Lumens	% Fixture	pf	pc	80%		20%		50%		Mounting Height	Initial FC Center Beam	Beam Diameter	Average Luminance			
						pw	50%	30%	10%	50%	30%					10%	50%	30%
0°	0° - 30°	243	33%	0	119	119	119	116	116	116	111	111	111	6.0	9.2	12.2	0°	72,997
5°	0° - 40°	382	52%	1	106	102	98	103	100	97	99	96	94	8.0	5.2	16.3	45°	52,509
15°	0° - 60°	618	85%	2	93	87	82	91	86	81	88	83	79	10.0	3.3	20.4	55°	45,124
25°	0° - 90°	730	100%	3	83	75	69	81	74	69	78	72	67	12.0	2.3	24.5	65°	37,929
35°	90° - 180°	0	0%	4	74	66	60	73	65	59	70	64	58	14.0	1.7	28.6	75°	27,032
45°	0° - 180°	730	100%	5	67	58	52	66	58	52	63	56	51				85°	8,891
55°		118		6	60	52	46	59	51	46	58	51	45					
65°		73		7	55	47	41	54	46	41	53	46	40					
75°		32		8	50	42	37	50	42	37	49	41	36					
85°		4		9	47	39	33	46	38	33	45	38	33					
90°		0		10	43	35	30	43	35	30	42	35	30					

Beam Angle: 91.1°
Field Angle: 149.3°

RB4A SWW5 MW M6 - 4000K Input Watts: 8.0, Delivered Lumens: 720, LPW: 90.0, S/MH: 1.12, Test No: 22-552-1P4



CP Summary		Zonal Lumen Summary		Coefficients of Utilization								Cone of Light			Luminance (cd/sq.m)			
0°	Zone	Lumens	% Fixture	pf	pc	80%		20%		50%		Mounting Height	Initial FC Center Beam	Beam Diameter	Average Luminance			
						pw	50%	30%	10%	50%	30%					10%	50%	30%
0°	0° - 30°	240	33%	0	119	119	119	116	116	116	111	111	111	6.0	9.1	12.2	0°	71,997
5°	0° - 40°	377	52%	1	106	102	98	103	100	97	99	96	94	8.0	5.1	16.3	45°	51,790
15°	0° - 60°	610	85%	2	93	87	82	91	86	81	88	83	79	10.0	3.3	20.4	55°	44,506
25°	0° - 90°	720	100%	3	83	75	69	81	74	69	78	72	67	12.0	2.3	24.5	65°	37,410
35°	90° - 180°	0	0%	4	74	66	60	73	65	59	70	64	58	14.0	1.7	28.6	75°	26,662
45°	0° - 180°	720	100%	5	67	58	52	66	58	52	63	56	51				85°	8,769
55°		116		6	60	52	46	59	51	46	58	51	45					
65°		72		7	55	47	41	54	46	41	53	46	40					
75°		31		8	50	42	37	50	42	37	49	41	36					
85°		3		9	47	39	33	46	38	33	45	38	33					
90°		0		10	43	35	30	43	35	30	42	35	30					

Beam Angle: 91.1°
Field Angle: 149.3°