

READ AND FOLLOW ALL SAFETY INSTRUCTIONS! SAVE THESE INSTRUCTIONS AND DELIVER TO OWNER AFTER INSTALLATION

- To reduce the risk of death, personal injury or property damage from fire, electric shock falling parts, cuts/abrasions, and other hazards, please read all warnings and instructions included with and on the luminaire box and all luminaire labels.
- Before installing, servicing, or performing routine maintenance upon this equipment, follow these general precautions.
- Installation and service of luminaires should be performed by a **qualified licensed electrician**.
- Maintenance of the luminaires should be performed by person(s) familiar with the luminaires' construction and operation and any hazards involved. Regular fixture maintenance programs are recommended.
- It will occasionally be necessary to clean the outside of the refractor/lens. Frequency of cleaning will depend on ambient dirt level and minimum light output which is acceptable to user. Refractor/lens should be washed in a solution of warm water and any mild, non-abrasive household detergent, rinsed with clean water and wiped dry. Should optical assembly become dirty on the inside, wipe refractor/lens and clean in above manner, replacing damaged gaskets as necessary.
- **DO NOT INSTALL DAMAGED PRODUCT!** This luminaire has been properly packed so that no parts should have been damaged during transit. Inspect to confirm. Any part damaged or broken during or after assembly should be replaced.
- Recycle: For information on how to recycle LED electronic products, please visit www.epa.gov.
- These instructions do not purport to cover all details or variations in equipment nor to provide every possible contingency to meet in connection with installation, operation, or maintenance. Should further information be desired, or should particular problems arise which are not cover sufficiently for the purchaser's or owner's purposes, this matter should be referred at Acuity Brands Lighting Inc. a parent company of Peerless Lighting.



**WARNING
RISK OF ELECTRIC SHOCK**

- ✓ Disconnect or turn off power before installation or servicing.
- ✓ Verify that supply voltage is correct by comparing it with the luminaire label information.
- ✓ Make all electrical and grounded connections in accordance with the National Electrical Code (NEC) and any applicable local code requirements.
- ✓ All wiring connections should be capped with UL approved recognized wire connectors.
- ✓ To prevent luminaire row from over-current: by adding the input current of each luminaire section marked on the luminaire, the total per power feed must not exceed the maximum line wire amperage marked on the luminaire and the power feed cord/wire amperage rating whichever the least.



**WARNING
RISK OF BURN**

- ✓ Allow lamp/fixture to cool before handling. Do not touch enclosure or light source.
- ✓ Do not exceed maximum wattage marked on luminaire label.
- ✓ Follow all manufacturer's warnings, recommendations and restrictions for: driver type, burning position, mounting locations/methods, replacement and recycling.



**WARNING
RISK OF INJURY**

- ✓ Wear gloves and safety glasses at all times when removing luminaire form carton, installing, servicing or performing maintenance.
- ✓ Avoid direct eye exposure to the light source while it is on.



**WARNING
RISK OF FIRE**

- ✓ Keep combustible and other materials that can burn, away from lamp/lens.
- ✓ Do not operate in close proximity to persons, combustible materials or substances affected by heat or drying.



CAUTION: RISK OF PRODUCT DAMAGE

- ✓ Never connect components under load.
- ✓ Do not mount or support these fixtures in a manner that can cut the outer jacket or damage wire insulation.
- ✓ Unless individual product specifications deem otherwise: Never connect an LED product directly to a dimmer packs, occupancy sensors, timing devices, or others related control devices. LED fixtures must be powered directly off a switched circuit.
- ✓ Unless individual product specifications deem otherwise: Do not restrict fixture ventilation. Allow for some volume of airspace around fixture. Avoid covering LED fixtures with insulation, foam, or other material that will prevent convection or conduction cooling.
- ✓ Unless individual product specifications deem otherwise: Do not exceed luminaire's maximum ambient temperature.
- ✓ Only us fixture in its intended location.
- ✓ LED products are Polarity Sensitive. Ensure proper Polarity before installation.
- ✓ Electrostatic discharge (ESD): can damage LED fixtures. Personal grounding equipment must be worn during all installation or servicing of the unit.
- ✓ Do not touch individual electrical components as this can cause ESD, shorten lamp life, or alter performance.
- ✓ Some components inside the luminaire may not be serviceable. In the unlikely event your unit may require service, stop using the unit immediately and contact an ABL representative for assistance.
- ✓ Always read the luminaire complete installation instructions prior to installation for any additional luminaire specific warnings.

Please see product specific installation instructions for additional warnings or any applicable FCC or other regulatory statements.

Failure to follow any of these instructions could void product warranties. For a complete listing of product Terms and Conditions, please visit www.acuitybrands.com.

These installation instructions are for installing RD4W1 and RD4W4 luminaires.

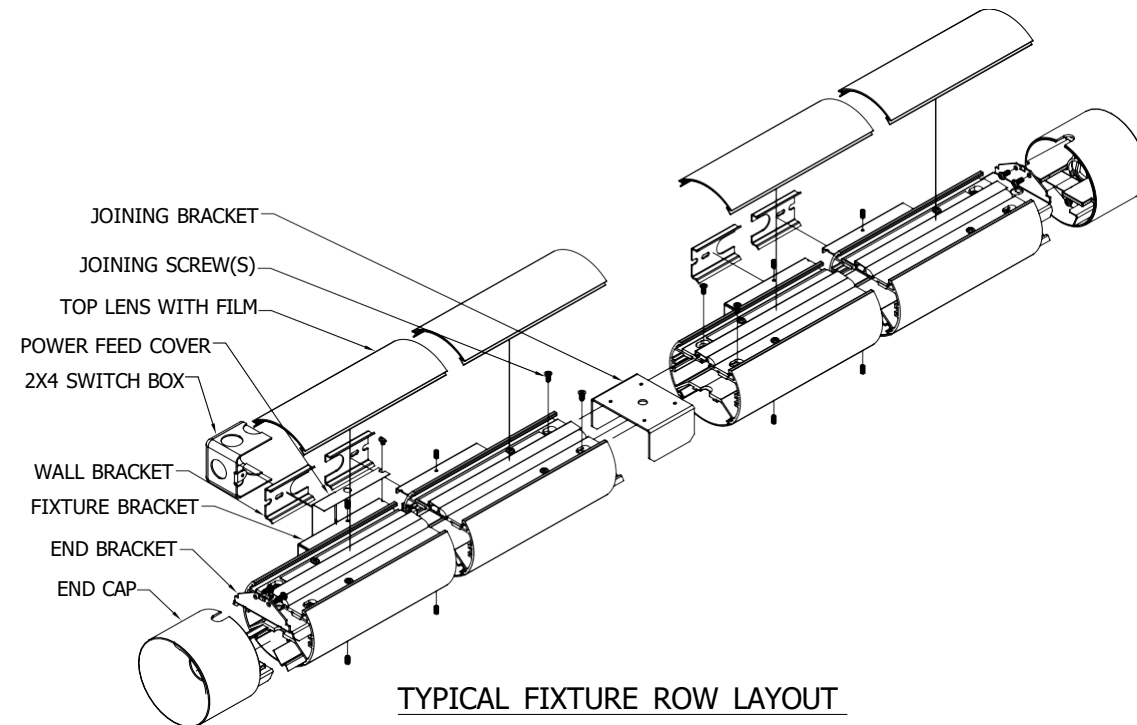
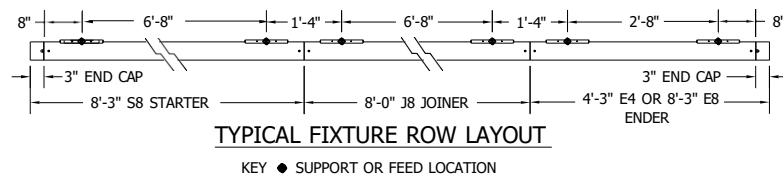
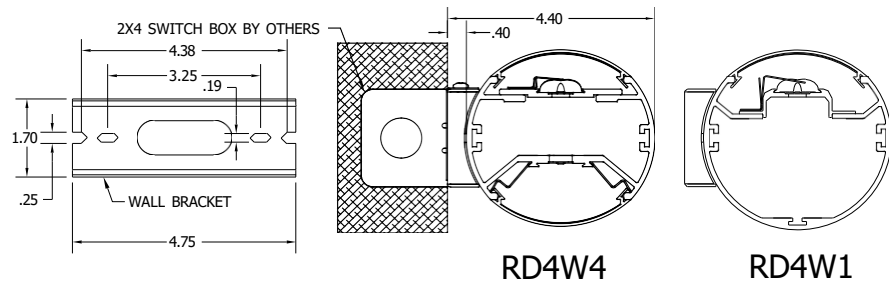
CAUTION: IT IS CRITICAL THAT SUPPORT LOCATIONS ARE LOCATED ACCURATELY. WE RECOMMEND THAT A LASER DEVICE BE USED TO LINE UP THE SUPPORT LOCATIONS ON FIXTURES HAVING MORE THAN ONE SECTION. IF NOT ALIGNED PROPERLY, A NOTICEABLE “BEND” MAY BE APPARENT WHEN VIEWED FROM THE END OF THE RUN.

WARNING: RISK OF FIRE AND ELECTRICAL SHOCK. THIS PRODUCT TO BE INSTALLED ONLY BY A QUALIFIED ELECTRICIAN.

These installation instructions are used for installing the following luminaires and kits:

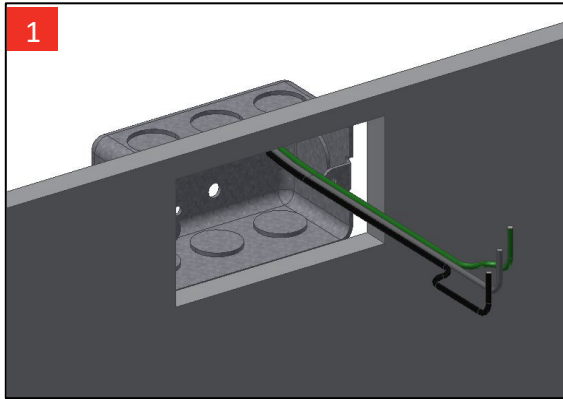
Luminaire	Mounting Kit – Feed	Mounting Kit - Support
RD4W1 or RD4W4	RD4WFK	RD4WSK

A) Identification of RD4W1/RD4W4 luminaire

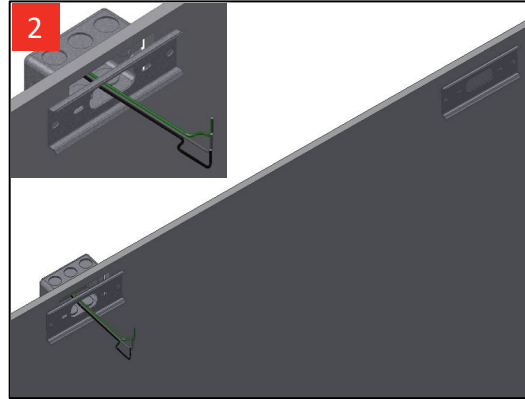


TYPICAL FIXTURE ROW LAYOUT

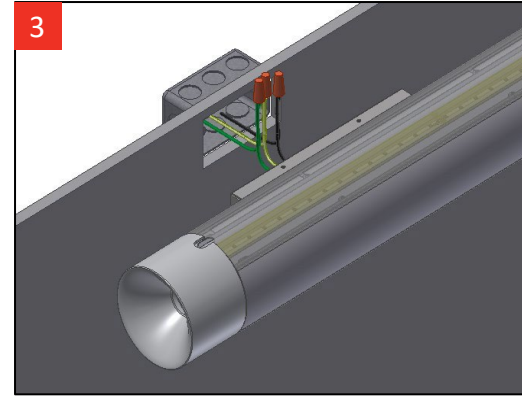
A) Wall Mounting Luminaire Row Installation



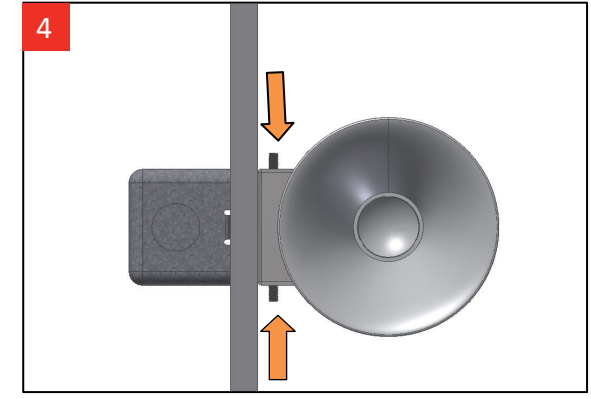
1. Using a laser or snap line, mark wall for center line. Using Support Spacing diagram determine locations of power feed and supports. Cut wall material for 2"x4" switch box at feed location. Pull building wires as shown.



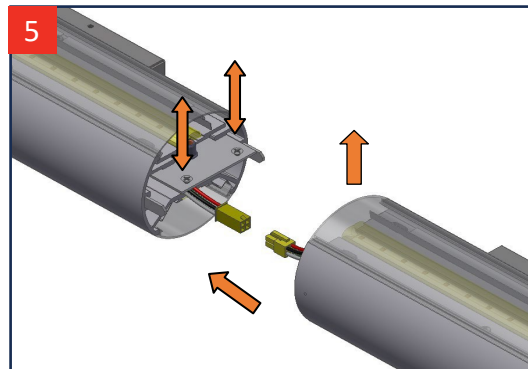
2. Gently pull building wires through fixture support bracket and attach bracket to J-box with (2) #8 screws. Using (2) 1/4" screws, attach support bracket to wall. Install all support brackets at support locations noted in the Support Spacing diagram for the entire run. Be sure wall is properly reinforced at all supports.



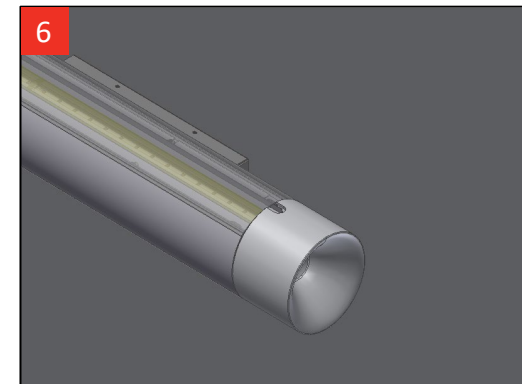
3. Raise the first luminaire into position. At power feed locations, connect building wires with fixture wires using appropriate twist-on connectors. Gently place wire connection back into luminaire and switch box.



4. Hang the luminaire on the support bracket. Secure luminaire to each support bracket using (4) provided set screws and adjust level of luminaire where necessary.



5. Raise the next luminaire into position and connect wire harnesses. Remove dust cover from next luminaire and securely join fixtures with (2) provided #8 screws.



6. Repeat steps 3 through 5 until the end of the row. Level the luminaire row and replace all dust covers.