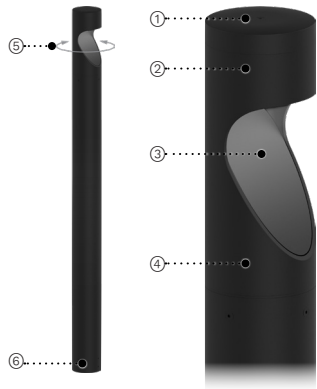
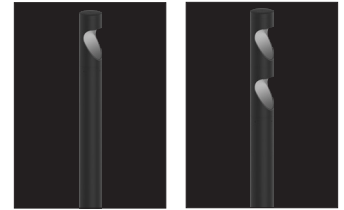


PROJECT NAME: \_\_\_\_\_ QUANTITY: \_\_\_\_\_ TYPE: \_\_\_\_\_

ORDERING CODE: \_\_\_\_\_

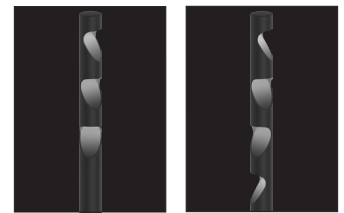


- ① Heavy cast aluminum top cover.
- ② Optical system assembly.
- ③ Access door to rotation mechanism.
- ④ Ø6" (152mm) extruded aluminum body.
- ⑤ Modules rotate 355° and are field-adjustable (shipped facing same direction)
- ⑥ Cast aluminum mounting base or base cover.



LN601

LN602



LN603

LN604



## MATERIALS

Inline is made of corrosion resistant 356 heavy duty cast aluminum alloy with a copper (CU) content of less than 0.1% with stainless steel hardware.

## ELECTRICAL DRIVER

Driver is 0-10V dimming-ready (dims to 10%) with: 120-277 multi-volt compatibility (50-60Hz), operating temperatures of -40°C/-40°F to 55°C/131°F, output over voltage protection, output over current protection, output short circuit protection with auto-recovery.

## LED LIGHT ENGINE

Offered in 2700K/3000K/3500K/4000K CCT with 80 CRI. Optional true amber LED for turtle sensitive areas. Wavelengths: 585nm to 597nm. 70% LED lumen maintenance at 60,000 hours (L70/B50) based on IESNA LM-80-08 LED extrapolated life, calculated per IESNA TM-21-21.

## FINISH

Five-stage preparation process including preheating of cast aluminum parts for air extraction, and an environmentally friendly alloy sealant. Polyester powder coating is applied through an electrostatic process and oven cured for long term finish.

## CERTIFICATION

UL Certified to Canadian and U.S. safety standards. Certified for use in wet locations. Rated IP65. Photometric testing performed by an independent laboratory in accordance with IES LM-79-08 standards at 25°C. Actual performance may differ as a result of end-user environment and application.

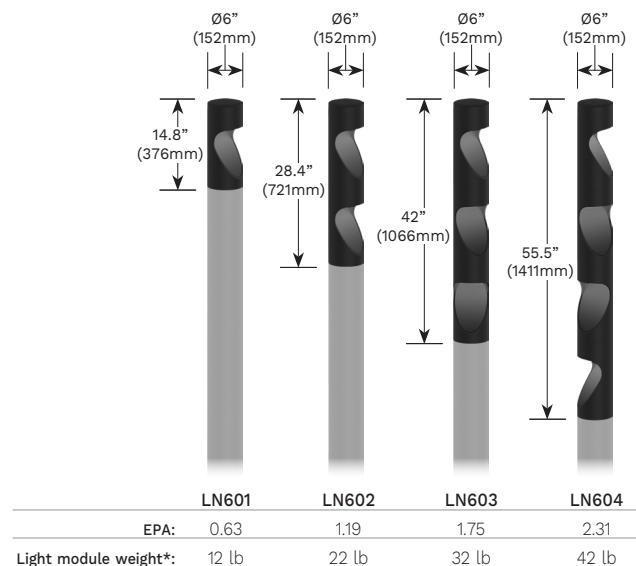
## WARRANTY

5-year limited warranty. This is the only warranty provided and no other statements in this specification sheet create any warranty of any kind. All other express and implied warranties are disclaimed. Complete warranty terms located at: <https://www.acuitybrands.com/support/warranty/terms-and-conditions>

## MOUNTING


Mounts with a set of 4 x 1/2"-13 x 18" lg. or 3/4"-10 x 18" lg. galvanized anchor bolts. See mounting details for more information.

## MEASUREMENTS



\* Pole weights not included here. Refer to to page 9 for different pole weights and additional EPA information.

**ORDERING CODE**

*SERIES	*LIGHT OUTPUT	*DISTRIBUTION	*COLUMN POLE	*CCT <sup>2</sup>	*VOLTAGE	
LN601 	<u>Static White</u>	<b>NR</b> Narrow optics 15°	<b>LNP696</b> 8'	<b>27K</b> 2700K	<b>120</b> 120V	
	<b>L1L20</b> 2143 lm / 23w	<b>FLD</b> Flood optics 30°	<b>LNP6120</b> 10'	<b>30K</b> 3000K	<b>277</b> 277V	
	<b>L1L30</b> 3156 lm / 36w	<b>VWD</b> Wide flood optics 55°	<b>LNP6144</b> 12'	<b>35K</b> 3500K	<b>347</b> 347V	
	<b>L1L40</b> 4191 lm / 53w	<b>LD3</b> Type III, Short	<b>LNP6168E</b> 14'	<b>40K</b> 4000K	<b>480</b> 480V	
	<b>L1L50</b> 4809 lm / 64w		<b>LNP6192E</b> 16'	<b>AMB</b> Wavelengths: 585nm to 597nm	<b>HVOLT</b> 347V-480V	
	<u>True Amber</u>		<b>LNP6216E</b> 18'		<b>MVOLT</b> 120V-277V	
	<b>L1LK2A</b> 229 lm / 11w <sup>1</sup>		<b>LNP6240E</b> 20'			
	Delivered lumens calculated at 4000K/80CRI except for amber. FLD distribution. Typical power consumption. Refer to LCF table for outputs at other CCTs.	For LCF refer to chart	For overall height by series refer to chart on pg 6.			


CONTROLS	FUSE	PHOTOCELL	MOTION SENSOR	SURGE PROTECTOR
<b>NLTH</b> nLight AIR 2.0 control mounted on top of fixture head with black antenna <sup>3</sup>	<b>FS</b> Fuse	<b>PH</b> Photocell	<b>MS</b> PIR motion sensor <sup>4,5</sup>	<b>SP</b> Surge protector 10KV

GFI	*FINISH <sup>10</sup>	WOOD FINISH <sup>13</sup>	ENVIRONMENT	LESS ANCHOR BOLTS
<b>CGF</b> Circuit ground fault interruption receptacle with clear in-use cover <sup>6,7,8</sup>	<b>BKT</b> Jet black	<b>ADG</b> American douglas	<b>MG</b> Marine grade paint <sup>14</sup>	<b>L/AB</b> Less anchor bolts
<b>GFI</b> Circuit ground fault interruption receptacle <sup>6,7,9</sup>	<b>BZT</b> Bronze	<b>BRC</b> Birch		
	<b>CHT</b> Champagne	<b>CHN</b> Chestnut		
	<b>DGT</b> Gun metal	<b>CRY</b> Cherry		
	<b>GRT</b> Titanium gray	<b>KNP</b> Knotty pine		
	<b>MST</b> Matte silver	<b>MPL</b> Maple		
	<b>SGT</b> Steel gray	<b>OFL</b> Oak		
	<b>WHT</b> Snow white	<b>RSW</b> Rosewood		
	<b>CMC</b> Custom matched color <sup>11</sup>	<b>TEK</b> Teak		
	<b>RAL</b> RAL color <sup>12</sup>	<b>WLN</b> Walnut		

**NOTES**

- \*- Denotes a required field
- 1- Available only with AMB.
- 2- For IDA certification compliance, luminaire must be ordered with 3000K or warmer.
- 3- Not available with L1L50, PH, MS, 347V and 480V, HVOLT. Must link to external nLight Air network. Dims to 10%.
- 4- Not available with PH, 347V, 480V, HVOLT.
- 5- High/low 25%.
- 6- GFI and CGF requires 120V feed.
- 7- GFI and CGF are installed 26" (660mm) above grade on access door side.
- 8- CGF cover protrudes by 3.75" (95mm).
- 9- GFI cover protrudes by 1.75" (45mm).
- 10- For any standard finish, access door will be painted black to reduce glare and minimize uplight. Different access door color available on demand.
- 11- Contact factory to coordinate custom matching color.
- 12- Specify RAL number.
- 13- Faux wood finish not applied to the fixture head, hand-hole, base cover or accessories. For faux wood finish, access door will have same faux wood finish. See example in option details. Additional delay required. Not compatible with marine grade paint.
- 14- Marine grade paint for harsh, coastal environment and exposure to salt water. Additional delay required.

**ORDERING CODE**

*SERIES	*LIGHT OUTPUT	*DISTRIBUTION	*COLUMN POLE	*CCT <sup>3</sup>	*VOLTAGE	
<b>LN602<sup>1</sup></b> 	<u>Static White</u>	<b>NR</b> Narrow optics 15°	<b>LNP696</b> 8'	<b>27K</b> 2700K	<b>120</b> 120V	
	<b>L2L20</b> 4286 lm / 46w	<b>FLD</b> Flood optics 30°	<b>LNP6120</b> 10'	<b>30K</b> 3000K	<b>277</b> 277V	
	<b>L2L30</b> 6312 lm / 72w	<b>VWD</b> Wide flood optics 55°	<b>LNP6144</b> 12'	<b>35K</b> 3500K	<b>347</b> 347V	
	<b>L2L40</b> 8382 lm / 106w	<b>LD3</b> Type III, Short	<b>LNP6168E</b> 14'	<b>40K</b> 4000K	<b>480</b> 480V	
	<b>L2L50</b> 9618 lm / 128w		<b>LNP6192E</b> 16'	<b>AMB</b> Wavelengths: 585nm to 597nm	<b>HVOLT</b> 347V-480V	
	<u>True Amber</u>		<b>LNP6216E</b> 18'		<b>MVOLT</b> 120V-277V	
	<b>L2LK2A</b> 458 lm / 22w <sup>2</sup>		<b>LNP6240E</b> 20'			
	Delivered lumens calculated at 4000K/80CRI except for amber. FLD distribution. Typical power consumption. Refer to LCF table for outputs at other CCTs.	For LCF refer to chart	For overall height by series refer to chart on pg 6.			


CONTROLS	FUSE	PHOTOCELL	MOTION SENSOR	SURGE PROTECTOR
<b>NLTH</b> nLight AIR 2.0 control mounted on top of fixture head with black antenna <sup>4</sup>	<b>FS</b> Fuse	<b>PH</b> Photocell	<b>MS</b> PIR motion sensor <sup>5,6</sup>	<b>SP</b> Surge protector 10KV

GFI	*FINISH <sup>11</sup>	WOOD FINISH <sup>14</sup>	ENVIRONMENT	LESS ANCHOR BOLTS
<b>CGF</b> Circuit ground fault interruption receptacle with clear in-use cover <sup>7,8,9</sup>	<b>BKT</b> Jet black	<b>ADG</b> American douglas	<b>MG</b> Marine grade paint <sup>15</sup>	<b>L/AB</b> Less anchor bolts
<b>GFI</b> Circuit ground fault interruption receptacle <sup>7,8,10</sup>	<b>BZT</b> Bronze	<b>BRC</b> Birch		
	<b>CHT</b> Champagne	<b>CHN</b> Chestnut		
	<b>DGT</b> Gun metal	<b>CRY</b> Cherry		
	<b>GRT</b> Titanium gray	<b>KNP</b> Knotty pine		
	<b>MST</b> Matte silver	<b>MPL</b> Maple		
	<b>SGT</b> Steel gray	<b>OFL</b> Oak		
	<b>WHT</b> Snow white	<b>RSW</b> Rosewood		
	<b>CMC</b> Custom matched color <sup>12</sup>	<b>TEK</b> Teak		
	<b>RAL</b> RAL color <sup>13</sup>	<b>WLN</b> Walnut		

**NOTES**

- \*- Denotes a required field
- 1- All light modules are factory-assembled in the same direction. They can be rotated in the field.
- 2- Available only with AMB.
- 3- For IDA certification compliance, luminaire must be ordered with 3000K or warmer.
- 4- Not available with L2L50, PH, MS, 347V and 480V, HVOLT. Must link to external nLight Air network. Dims to 10%.
- 5- Not available with PH, 347V, 480V, HVOLT.
- 6- High/Low 25%.
- 7- GFI and CGF requires 120V feed.
- 8- GFI and CGF are installed 26" (660mm) above grade on access door side.
- 9- CGF cover protrudes by 3.75" (95mm).
- 10- GFI cover protrudes by 1.75" (45mm).
- 11- For any standard finish, access door will be painted black to reduce glare and minimize uplift. Different access door color available on demand.
- 12- Contact factory to coordinate custom matching color.
- 13- Specify RAL number.
- 14- Faux wood finish not applied to the fixture head, hand-hole, base cover or accessories. For faux wood finish, access door will have same faux wood finish. See example in option details. Additional delay required. Not compatible with marine grade paint.
- 15- Marine grade paint for harsh, coastal environment and exposure to salt water. Additional delay required.

**ORDERING CODE**

*SERIES	*LIGHT OUTPUT	*DISTRIBUTION	*COLUMN POLE	*CCT <sup>3</sup>	*VOLTAGE	
<b>LN603<sup>1</sup></b> 	<u>Static White</u>	<b>NR</b> Narrow optics 15°	<b>LNP696</b> 8'	<b>27K</b> 2700K	<b>120</b> 120V	
	<b>L3L20</b> 6429 lm / 69w	<b>FLD</b> Flood optics 30°	<b>LNP6120</b> 10'	<b>30K</b> 3000K	<b>277</b> 277V	
	<b>L3L30</b> 9468 lm / 108w	<b>VWD</b> Wide flood optics 55°	<b>LNP6144</b> 12'	<b>35K</b> 3500K	<b>347</b> 347V	
	<b>L3L40</b> 12573 lm / 159w	<b>LD3</b> Type III, Short	<b>LNP6168E</b> 14'	<b>40K</b> 4000K	<b>480</b> 480V	
	<b>L3L50</b> 14427 lm / 192w		<b>LNP6192E</b> 16'	<b>AMB</b> Wavelengths: 585nm to 597nm	<b>HVOLT</b> 347V-480V	
	<u>True Amber</u>		<b>LNP6216E</b> 18'		<b>MVOLT</b> 120V-277V	
	<b>L3LK2A</b> 687 lm / 33w <sup>2</sup>		<b>LNP6240E</b> 20'			
	Delivered lumens calculated at 4000K/80CRI except for amber. FLD distribution. Typical power consumption. Refer to LCF table for outputs at other CCTs.		For LCF refer to chart	For overall height by series refer to chart on pg 6.		


CONTROLS		FUSE	PHOTOCELL	MOTION SENSOR	SURGE PROTECTOR
<b>NLTH</b>	nLight AIR 2.0 control mounted on top of fixture head with black antenna <sup>4</sup>	<b>FS</b> Fuse	<b>PH</b> Photocell	<b>MS</b> PIR motion sensor <sup>5,6</sup>	<b>SP</b> Surge protector 10KV

GFI	*FINISH <sup>11</sup>	WOOD FINISH <sup>14</sup>	ENVIRONMENT	LESS ANCHOR BOLTS
<b>CGF</b> Circuit ground fault interruption receptacle with clear in-use cover <sup>7,8,9</sup>	<b>BKT</b> Jet black	<b>ADG</b> American douglas	<b>MG</b> Marine grade paint <sup>15</sup>	<b>L/AB</b> Less anchor bolts
	<b>BZT</b> Bronze	<b>BRC</b> Birch		
<b>GFI</b> Circuit ground fault interruption receptacle <sup>7,8,10</sup>	<b>CHT</b> Champagne	<b>CHN</b> Chestnut		
	<b>DGT</b> Gun metal	<b>CRY</b> Cherry		
	<b>GRT</b> Titanium gray	<b>KNP</b> Knotty pine		
	<b>MST</b> Matte silver	<b>MPL</b> Maple		
	<b>SGT</b> Steel gray	<b>OFL</b> Oak		
	<b>WHT</b> Snow white	<b>RSW</b> Rosewood		
	<b>CMC</b> Custom matched color <sup>12</sup>	<b>TEK</b> Teak		
	<b>RAL</b> RAL color <sup>13</sup>	<b>WLN</b> Walnut		

**NOTES**

- \*- Denotes a required field
- 1- All light modules are factory-assembled in the same direction. They can be rotated in the field.
- 2- Available only with AMB.
- 3- For IDA certification compliance, luminaire must be ordered with 3000K or warmer.
- 4- Not available with L3L50, PH, MS, 347V and 480V, HVOLT. Must link to external nLight Air network. Dims to 10%.
- 5- Not available with PH, 347V, 480V, HVOLT.
- 6- High/Low 25%.
- 7- GFI and CGF requires 120V feed.
- 8- GFI and CGF are installed 26" (660mm) above grade on access door side.
- 9- CGF cover protrudes by 3.75" (95mm).
- 10- GFI cover protrudes by 1.75" (45mm).
- 11- For any standard finish, access door will be painted black to reduce glare and minimize uplift. Different access door color available on demand.
- 12- Contact factory to coordinate custom matching color.
- 13- Specify RAL number.
- 14- Faux wood finish not applied to the fixture head, hand-hole, base cover or accessories. For faux wood finish, access door will have same faux wood finish. See example in option details. Additional delay required. Not compatible with marine grade paint.
- 15- Marine grade paint for harsh, coastal environment and exposure to salt water. Additional delay required.

**ORDERING CODE**

*SERIES	*LIGHT OUTPUT	*DISTRIBUTION	*COLUMN POLE	*CCT <sup>3</sup>	*VOLTAGE
<b>LN604<sup>1</sup></b> 	<u>Static White</u>	<b>NR</b> Narrow optics 15°	<b>LNP696</b> 8'	<b>27K</b> 2700K	<b>120</b> 120V
	<b>L4L20</b> 8572 lm / 92w	<b>FLD</b> Flood optics 30°	<b>LNP6120</b> 10'	<b>30K</b> 3000K	<b>277</b> 277V
	<b>L4L30</b> 12624 lm / 144w	<b>VWD</b> Wide flood optics 55°	<b>LNP6144</b> 12'	<b>35K</b> 3500K	<b>347</b> 347V
	<b>L4L40</b> 16764 lm / 212w	<b>LD3</b> Type III, Short	<b>LNP6168E</b> 14'	<b>40K</b> 4000K	<b>480</b> 480V
	<b>L4L50</b> 19236 lm / 256w		<b>LNP6192E</b> 16'	<b>AMB</b> Wavelengths: 585nm to 597nm	<b>HVOLT</b> 347V-480V
	<u>True Amber</u>		<b>LNP6216E</b> 18'		<b>MVOLT</b> 120V-277V
<b>L4LK2A</b> 916 lm / 44w <sup>2</sup>		<b>LNP6240E</b> 20'			
Delivered lumens calculated at 4000K/80CRI except for amber. FLD distribution. Typical power consumption. Refer to LCF table for outputs at other CCTs.		For LCF refer to chart	For overall height by series refer to chart on pg 6.		

CONTROLS		FUSE	PHOTOCELL	MOTION SENSOR	SURGE PROTECTOR
<b>NLTH</b>	nLight AIR 2.0 control mounted on top of fixture head with black antenna <sup>4</sup>	<b>FS</b> Fuse	<b>PH</b> Photocell	<b>MS</b> PIR motion sensor <sup>5,6</sup>	<b>SP</b> Surge protector 10KV

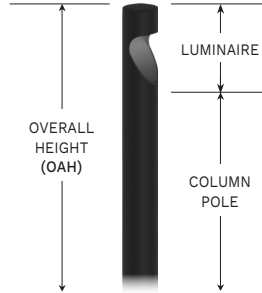
GFI	*FINISH <sup>11</sup>	WOOD FINISH <sup>14</sup>	ENVIRONMENT	LESS ANCHOR BOLTS
<b>CGF</b> Circuit ground fault interruption receptacle with clear in-use cover <sup>7,8,9</sup>	<b>BKT</b> Jet black	<b>ADG</b> American douglas	<b>MG</b> Marine grade paint <sup>15</sup>	<b>L/AB</b> Less anchor bolts
<b>GFI</b> Circuit ground fault interruption receptacle <sup>7,8,10</sup>	<b>BZT</b> Bronze	<b>BRC</b> Birch		
	<b>CHT</b> Champagne	<b>CHN</b> Chestnut		
	<b>DGT</b> Gun metal	<b>CRY</b> Cherry		
	<b>GRT</b> Titanium gray	<b>KNP</b> Knotty pine		
	<b>MST</b> Matte silver	<b>MPL</b> Maple		
	<b>SGT</b> Steel gray	<b>OFL</b> Oak		
	<b>WHT</b> Snow white	<b>RSW</b> Rosewood		
	<b>CMC</b> Custom matched color <sup>12</sup>	<b>TEK</b> Teak		
	<b>RAL</b> RAL color <sup>13</sup>	<b>WLN</b> Walnut		

**NOTES**

- \*- Denotes a required field
- 1- All light modules are factory-assembled in the same direction. They can be rotated in the field.
- 2- Available only with AMB.
- 3- For IDA certification compliance, luminaire must be ordered with 3000K or warmer.
- 4- Not available with L4L50, PH, MS, 347V and 480V, HVOLT. Must link to external nLight Air network. Dims to 10%.
- 5- Not available with PH, 347V, 480V, HVOLT.
- 6- High/Low 25%.
- 7- GFI and CGF requires 120V feed.
- 8- GFI and CGF are installed 26" (660mm) above grade on access door side.
- 9- CGF cover protrudes by 3.75" (95mm).
- 10- GFI cover protrudes by 1.75" (45mm).
- 11- For any standard finish, access door will be painted black to reduce glare and minimize uplift. Different access door color available on demand.
- 12- Contact factory to coordinate custom matching color.
- 13- Specify RAL number.
- 14- Faux wood finish not applied to the fixture head, hand-hole, base cover or accessories. For faux wood finish, access door will have same faux wood finish. See example in option details. Additional delay required. Not compatible with marine grade paint.
- 15- Marine grade paint for harsh, coastal environment and exposure to salt water. Additional delay required.

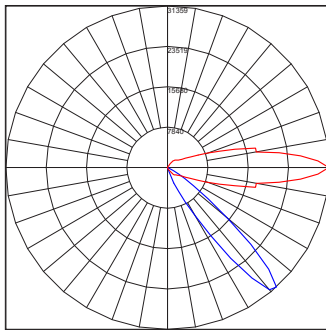
## OVERALL HEIGHT (OAH) LUMINAIRE & COLUMN POLE

COLUMN POLE	LN601	LN602	LN603	LN604
LNP696	110"	124"	138"	152"
LNP6120	134"	148"	162"	176"
LNP6144	158"	172"	186"	200"
LNP6168	182"	196"	210"	224"
LNP6192	206"	220"	234"	248"
LNP6216	230"	244"	258"	272"
LNP6240	254"	268"	282"	296"



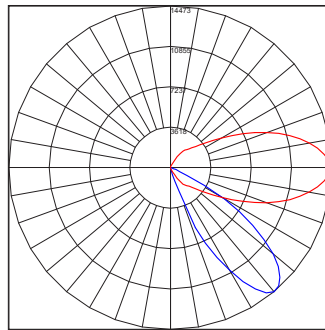
## TYPICAL PHOTOMETRY SUMMARY

### LN601-L1L50-NR



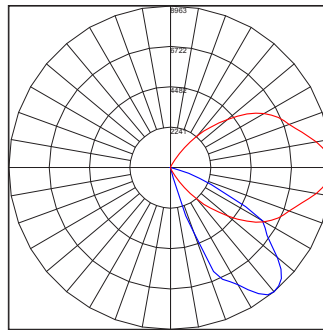
**Total Lms:** 4520 Lumens  
**Total Input Watts:** 64 W  
**Efficacy:** 70 Lumens/Watt  
**BUG:** B0-U1-G0  
**CCT/CRI:** 4000K/80  
**Maximum Candela:** 31359 @ 0°/42.5°V

### LN601-L1L50-FLD



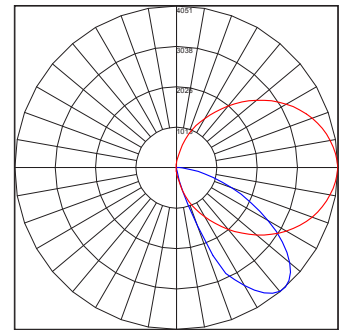
**Total Lms:** 4809 Lumens  
**Total Input Watts:** 64 W  
**Efficacy:** 75 Lumens/Watt  
**BUG:** B0-U1-G0  
**CCT/CRI:** 4000K/80  
**Maximum Candela:** 14473 @ 0°/40°V

### LN601-L1L50-VWD



**Total Lms:** 4664 Lumens  
**Total Input Watts:** 64 W  
**Efficacy:** 72 Lumens/Watt  
**BUG:** B0-U1-G0  
**CCT/CRI:** 4000K/80  
**Maximum Candela:** 8963 @ 0°/40°V

### LN601-L1L50-LD3



**Total Lms:** 3662 Lumens  
**Total Input Watts:** 64 W  
**Efficacy:** 57 Lumens/Watt  
**BUG:** B0-U1-G1  
**CCT/CRI:** 4000K/80  
**Maximum Candela:** 4051 @ 0°/42.5°V

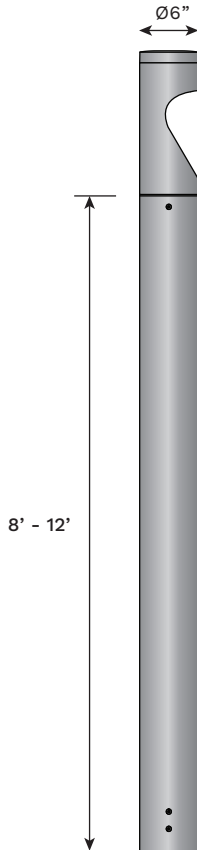
LUMEN CONVERSION FACTOR (LCF)		
CCT	CRI	LCF
2700K	80	0.94
3000K	80	0.97
3500K	80	0.99
4000K	80	1.00

LUMEN CONVERSION FACTOR (LCF)	
DISTRIBUTION	LCF
NR	0.94
FLD	1.00
VWD	0.97
LD3	0.76

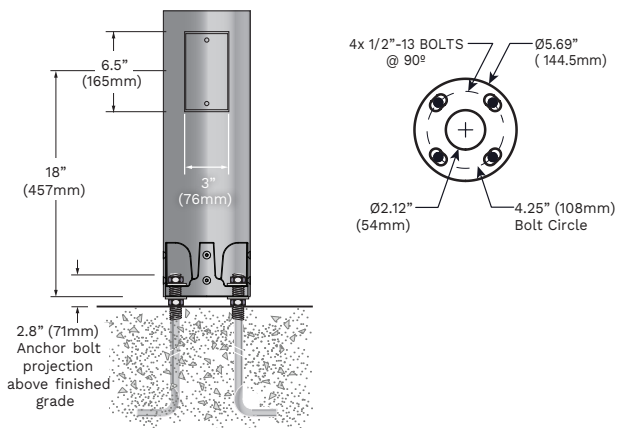
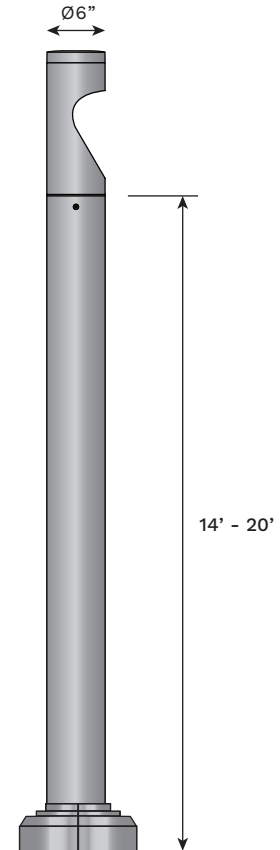
All Photometry shown use the 80CRI 4000K LEDs.  
Please visit our web site [www.luminis.com](http://www.luminis.com) for complete I.E.S. file.

**MOUNTING DETAILS**

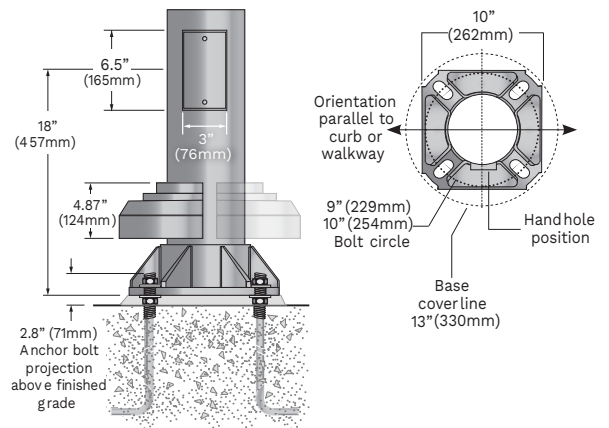
**INTERNAL BASE**  
(LNP696, LNP6120, LNP6144)



**EXTERNAL BASE**  
(LNP6168, LNP6192, LNP6216, LNP6240)

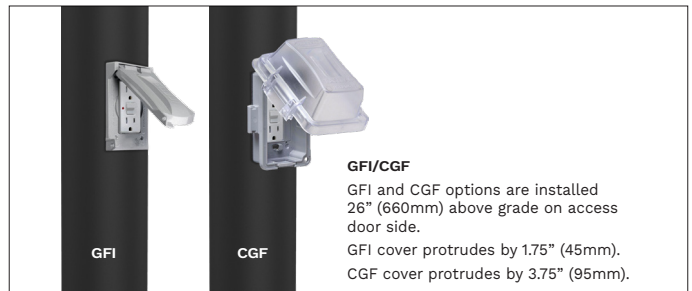
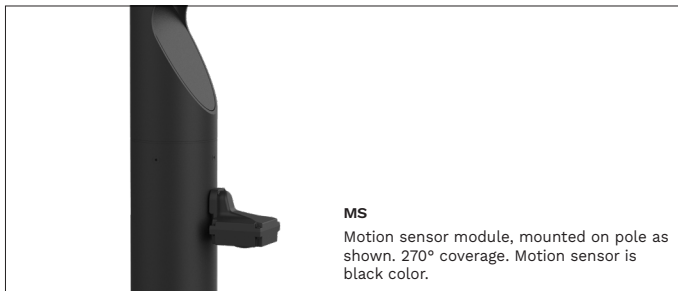


Pole is secured with a set of (4) 1/2"-13 x 18" lg. galvanized anchor bolts.



The cast aluminum base plate is secured with a set of (4) 3/4"-10 x 18" lg. galvanized anchor bolts.

OPTION DETAILS



FINISH DETAILS





**EPA**

The EPA (Effective Projected Area) is a coefficient used to evaluate the loads induced by the wind on a luminaire. It is calculated by multiplying the drag coefficient and the Frontal Projected Area of a luminaire (maximum achievable cross-sectional area in ft<sup>2</sup>).

The TOTAL EPA is the combination of the luminaire's EPA and pole's additional components' EPA. It should not exceed the maximum allowable EPA at the selected geographic location and their corresponding wind map.

	Pole Height ft	Pole Weight lb	Wall Thk in	Base	AASHTO 2013 EPA RATING (ft <sup>2</sup> )										
					80	90	100	110	120	130 mph	140	150	160	170	180
<b>LNP696</b>	8	22.6	0.125	Internal	11.25	11.25	11.25	11.30	11.30	11.30	11.30	9.75	8.44	7.50	6.59
<b>LNP6120</b>	10	28.3	0.125	Internal	9.13	9.13	9.13	9.13	9.13	9.13	9.01	7.92	6.85	6.01	5.21
<b>LNP6144</b>	12	33.9	0.125	Internal	7.50	7.50	7.50	7.50	7.50	7.50	7.50	6.59	5.70	5.00	4.28
<b>LNP6168</b>	14	39.6	0.125	External	6.17	6.17	6.17	6.17	6.17	6.17	6.17	5.34	4.57	3.91	3.38
<b>LNP6192</b>	16	45.3	0.125	External	5.14	5.14	5.14	5.14	5.14	5.14	5.00	4.28	3.61	3.04	2.57
<b>LNP6216</b>	18	50.9	0.125	External	4.22	4.22	4.22	4.22	4.22	4.22	4.00	3.38	2.85	2.37	1.90
<b>LNP6240</b>	20	56.6	0.125	External	3.38	3.38	3.38	3.38	3.38	3.38	3.16	2.67	2.14	1.69	1.33

	Pole Height ft	Pole Weight lb	Wall Thk in	Base	CSA EPA RATING (ft <sup>2</sup> )										
					200	287	373	460	546	633 q(Pa)	719	806	892	979	1065
<b>LNP696</b>	8	22.6	0.125	Internal	20.45	13.82	10.22	8.08	6.47	5.46	4.78	4.15	3.69	3.36	3.03
<b>LNP6120</b>	10	28.3	0.125	Internal	16.60	10.92	7.88	5.91	4.60	3.83	3.36	2.87	2.52	2.27	2.02
<b>LNP6144</b>	12	33.9	0.125	Internal	13.45	8.51	6.06	4.25	3.19	2.52	2.12	1.79	1.59	1.34	1.19
<b>LNP6168</b>	14	39.6	0.125	External	12.12	7.56	4.92	3.36	2.27	1.70	1.41	1.13	-	-	-
<b>LNP6192</b>	16	45.3	0.125	External	10.09	5.67	3.40	2.02	1.06	-	-	-	-	-	-
<b>LNP6216</b>	18	50.9	0.125	External	8.08	4.25	2.12	-	-	-	-	-	-	-	-
<b>LNP6240</b>	20	56.6	0.125	External	6.38	2.83	-	-	-	-	-	-	-	-	-

NOTE: Do not erect pole without the intended loading attached to avoid wind-induced vibration. Luminaires must be attached to pole when installed.

