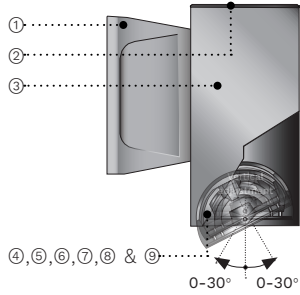


PROJECT NAME: _____ QUANTITY: _____ TYPE: _____

ORDERING CODE: _____



- ① Cast aluminum driver housing. Includes galvanized steel wall mount pressure plate.
- ② Cast aluminum ventilated top cover.
- ③ Seamless extruded aluminum housing.
- ④ Fully sealed cast aluminum up or down light assembly.
- ⑤ Sealed cast aluminum lens frame.
- ⑥ Clear tempered glass lens.
- ⑦ Faceted specular aluminum reflector.
- ⑧ Light module with $\pm 30^\circ$ tilting mechanism allowing forward and back light adjustability.
- ⑨ All stainless steel hardware.



SQ600



MATERIALS

Syrios Square is made of corrosion resistant 356 aluminum alloy with a copper (CU) content of less than 0.1%. The main housing is made of seamless extruded aluminum, with an integrally sealed LED light module designed for optimal heat dissipation, and lighting performance. Syrios Square is standard with a unique proprietary design allowing the sealed LED module to tilt within the housing. The top cast aluminum cover includes ventilation slots allowing air circulation and cooling of assembly.

ELECTRICAL DRIVER

Driver is 0-10V dimming-ready (dims to 10%) with: 120-277 multi-volt compatibility (50-60Hz), operating temperature range of $-40^\circ\text{C}/-40^\circ\text{F}$ to $55^\circ\text{C}/131^\circ\text{F}$, output over voltage protection, output over current protection and output short circuit protection with auto-recovery.

LED LIGHT ENGINE

Offered in 2700K/3000K/3500K/4000K CCT with 80 CRI. 70% LED lumen maintenance at 60,000 hours (L70/B50) based on IESNA LM-80-08 LED extrapolated life, calculated per IESNA TM-21-21. Optional true amber LED for turtle sensitive areas. Wavelengths: 585nm to 597nm.

FINISH

Five-stage preparation process includes preheating of cast aluminum parts for air extraction. Polyester powder coating is applied through an electrostatic process, and oven cured for long term finish.

CERTIFICATION

UL Certified to Canadian and U.S. safety standards. Certified for use in wet locations. Rated IP65. Photometric testing performed by an independent laboratory in accordance with IES LM-79-08 standards at 25°C . Actual performance may differ as a result of end-user environment and application.

WARRANTY

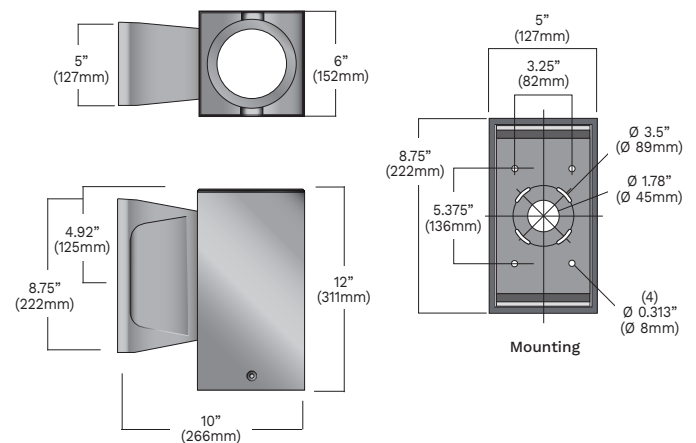
5-year limited warranty. This is the only warranty provided and no other statements in this specification sheet create any warranty of any kind. All other express and implied warranties are disclaimed. Complete warranty terms located at: <https://www.acuitybrands.com/support/warranty/terms-and-conditions>

MOUNTING


The mounting plate is designed to fit on a 4" (102mm) octagonal electrical box using 3.5" (89mm) C/C mounting holes. Additional mounting holes are provided as per site requirements.

MEASUREMENTS

Maximum weight: 9.5 lbs (4.3 kg)



ORDERING CODE

*SERIES	*LIGHT OUTPUT	*DISTRIBUTION	*CCT ⁴	*VOLTAGE	CONDUIT COVER
SQ600 	<u>Static White</u> L1L15 1599 lm / 15w L1L25 2543 lm / 26w L1L40 4102 lm / 48w <u>True Amber</u> L1LK2A 263 lm / 11w ¹ Delivered lumens calculated at 4000K/80CRI except for amber. Flood optic distribution. Typical power consumption. Refer to LCF table for outputs at other CCTs.	NR Narrow optic 15° FLD Flood optic 30° VWD Very wide optic 52°	27K 2700K 30K 3000K 35K 3500K 40K 4000K AMB 585nm to 597nm	120 120V 277 277V 347 347V 480 480V HVOLT 347V-480V MVOLT 120V-277V	SWK Decorative cover for 3/4" conduit junction box
	<u>Very Narrow Distribution</u> L1L20NR 1690 lm / 31w ² Delivered lumens calculated at 4000K/80CRI. Very narrow optic distribution. Typical power consumption. Refer to LCF table for outputs at other CCTs.	VNR Very narrow optic 9° ³			

MOUNTING DIRECTION	LENS/DIFFUSER	FUSE	PHOTOCELL	EMERGENCY	LOUVERS
UP Uplight position	LSL Linear spread lens SL Solite lens ⁵	FS Fuse	PH Photocell ⁶	REM7 Remote emergency battery, 90 min, 7W ⁷	HL Hexcell louver

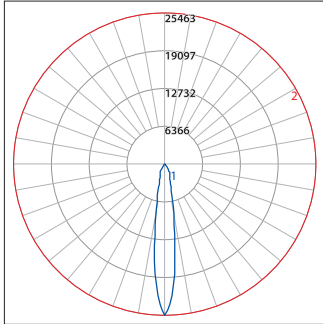
ADJUSTABILITY	*FINISH	WOOD FINISH ¹⁰	ENVIRONMENT	HEIGHT MATCHING
AR180 Light module with side-to-side adjustment	BKT Jet black BZT Bronze CHT Champagne DGT Gun metal GRT Titanium gray MST Matte silver SGT Steel gray WHT Snow white CMC Custom matched color ⁸ RAL RAL color ⁹	ADG American douglas BRC Birch CHN Chestnut CRY Cherry KNP Knotty pine MPL Maple OFL Oak RSW Rosewood TEK Teak WLN Walnut	MG Marine grade paint ¹¹ NT Natatorium suitable ¹²	UH Uniform height matching SY602

NOTES

- *- Denotes a required field
- 1- Available only with AMB option.
- 2- Available only with VNR distribution option. Not available with 27K, 35K or AMB.
- 3- Field angle 18°.
- 4- For IDA certification compliance, luminaire must be ordered with 3000K or warmer.
- 5- Lumen conversion factor (LCF) 0.9.
- 6- Not available with REM7, 347V, 480V or HVOLT.
- 7- Remote mount 50ft - 12" square enclosure with access cover. The remote enclosure must be interior. Cable between fixture and remote box is provided by others.
- 8- Contact factory to coordinate custom matching color.
- 9- Specify RAL number.
- 10- Faux wood finish not applied to driver housing, lens frame or accessories. Additional delay required. Not compatible with marine grade paint.
- 11- Marine grade paint for harsh, coastal environment and exposure to salt water. Additional delay required please contact factory for info.
- 12- Available only in WHT and BKT finish.

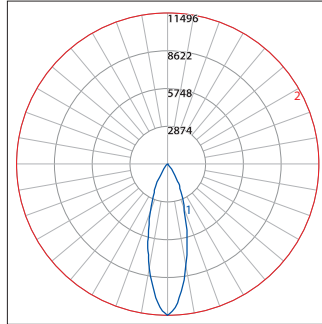
TYPICAL PHOTOMETRY SUMMARY

SQ600-L1L40-NR



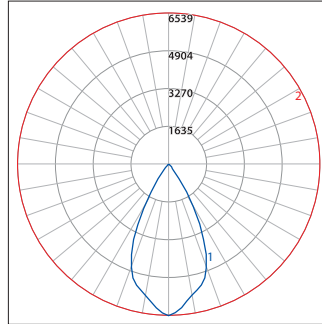
Total Lms: 3998 Lumens
Total Input Watts: 48 W
Efficacy: 83 Lumens/Watt
BUG: B3-U0-G0
CCT/CRI: 4000K/80
Maximum Candela: 25463 @ 0°

SQ600-L1L40-FLD



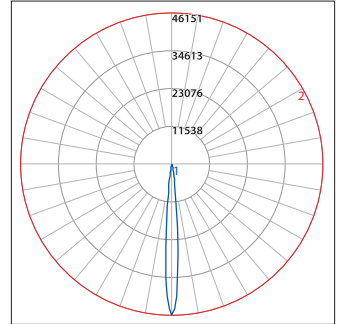
Total Lms: 4102 Lumens
Total Input Watts: 48 W
Efficacy: 85 Lumens/Watt
BUG: B3-U0-G0
CCT/CRI: 4000K/80
Maximum Candela: 11496 @ 0°

SQ600-L1L40-VWD



Total Lms: 4369 Lumens
Total Input Watts: 48 W
Efficacy: 91 Lumens/Watt
BUG: B3-U0-G0
CCT/CRI: 4000K/80
Maximum Candela: 6539 @ 0°

SQ600-L1L20NR-VNR



Total Lms: 1690 Lumens
Total Input Watts: 31 W
Efficacy: 55 Lumens/Watt
BUG: B2-U0-G0
CCT/CRI: 4000K/80
Maximum Candela: 46151 @ 0°

LUMEN CONVERSION FACTOR (LCF)		
CCT	CRI	LCF
2700K	80	0.91
3000K	80	0.94
3500K	80	0.98
4000K	80	1.00

All Photometry shown use the 80CRI 4000K LEDs.
 Please visit our web site www.luminis.com for complete I.E.S. file.

OPTION DETAILS

