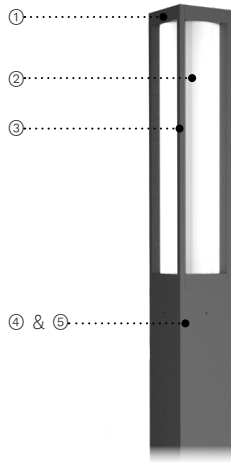
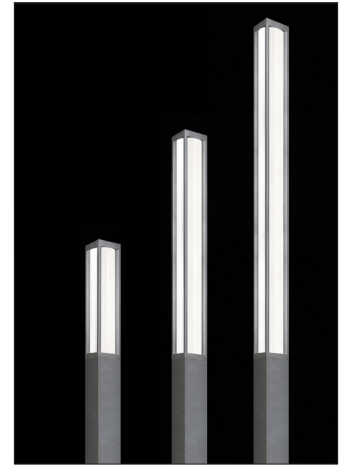


PROJECT NAME: _____ QUANTITY: _____ TYPE: _____

ORDERING CODE: _____



- ① Heavy cast aluminum top cover.
- ② Ø 6" (152mm) High impact white translucent acrylic diffuser UV stabilized. Available in three acrylic heights.
- ③ 4x extruded aluminum struts.
- ④ Cast aluminum driver housing.
- ⑤ 6" (152mm) x 6" (152mm) extruded aluminum square body.



LQ620/LQ640/LQ670

MATERIALS

Lumiquad column is made of 6061-T6 extruded aluminum alloy. All other parts are made of corrosion resistant 356 aluminum alloy with a copper (CU) content of less than 0.1%. LED is contained in a white UV stabilized high impact acrylic sealed cylinder. The assembly is designed to provide a uniform column illumination.

ELECTRICAL DRIVER

Driver is 0-10V dimming-ready (dims to 10%) with: 120-277 multi-volt compatibility (50-60Hz), operating temperatures of -40°C/-40°F to 55°C/131°F, output over voltage protection, output over current protection, output short circuit protection with auto-recovery.

LED LIGHT ENGINE

Offered in 2700K/3000K/3500K/4000K CCT with 80 CRI. Optional RGBW. 70% LED lumen maintenance at 60,000 hours (L70/B50) based on IESNA LM-80-08 LED extrapolated life, calculated per IESNA TM-21-21.

FINISH

Five-stage preparation process includes preheating of cast aluminum parts for air extraction. Polyester powder coating is applied through an electrostatic process, and oven cured for long term finish.

CERTIFICATION

UL Certified to Canadian and U.S. safety standards. Certified for use in wet locations. Rated IP65. Photometric testing performed by an independent laboratory in accordance with IES LM-79-08 standards at 25°C. Actual performance may differ as a result of end-user environment and application.

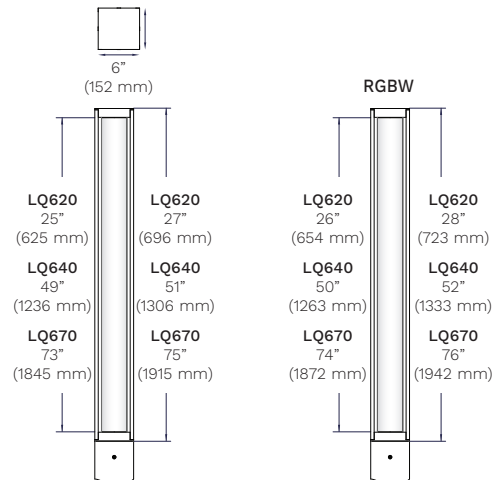
WARRANTY

5-year limited warranty. This is the only warranty provided and no other statements in this specification sheet create any warranty of any kind. All other express and implied warranties are disclaimed. Complete warranty terms located at: <https://www.acuitybrands.com/support/warranty/terms-and-conditions>


MOUNTING

Lumiquad column is designed for ease of access and installation. For overall heights of 96" (8FT) to 168" (14FT): The cast aluminum base plate is secured with a set of (4) 1/2"-13 x 18" lg. galvanized anchor bolts. For overall heights above 168" (14FT): The cast aluminum base plate is secured with a set of (4) 3/4"-10 x 18" lg. galvanized anchor bolts. Accessibility is done through a flush mount 2" x 4" (100mm x 178mm) hand hole cover plate.

MEASUREMENTS



ORDERING CODE

*SERIES	*LIGHT OUTPUT	*COLUMN POLE	*CCT	*VOLTAGE	
LQ620 	<u>Static White</u> L4L12 1311 lm/11w (656 lm/ft) L4L18 1990 lm/17w (995 lm/ft) L4L28 2849 lm/25w (1425 lm/ft) L4L40 4251 lm/39w (2126 lm/ft) L4L52 5381 lm/52w (2691 lm/ft) <u>RGBW</u> L4RGBW 2046 lm/35w (1023 lm/ft) ^{1,2}	LQP669 Square column 6' LQP693 Square column 8' LQP6117 Square column 10' LQP6141 Square column 12' LQP6165E Square column 14' ³ (external base)	27K 2700K 30K 3000K 35K 3500K 40K 4000K RGBW RGB + white 4000K	120 120V 277 277V 347 347V 480 480V MVOLT 120V-277V HVOLT 347V-480V	
	Delivered lumens calculated at 4000K/80CRI except for RGBW. Typical power consumption. Refer to LCF table for outputs at other CCTs. For RGBW, values are for total delivered lumens. For individual maximum output values, refer to RGBW details section.		For overall height by series refer to chart on pg 5.		


CONTROLS	FUSE	PHOTOCELL	SURGE PROTECTOR	GFI
NLTMSP nLight AIR 2.0 motion sensor mounted on pole ⁴	FS Fuse	PH Photocell	SP Surge protector	CGF Circuit ground fault interruption receptacle with clear in-use cover ^{5,6,7} GFI Circuit ground fault interruption receptacle ^{5,6}

SHIELDING ACCESSORIES	*FINISH	WOOD FINISHES ¹⁰	ENVIRONMENT	LESS ANCHOR BOLTS
BLS1 Blockout shield one side BLS2 Blockout shield two sides at 90° BLS3 Blockout shield three sides DECO1 Decorative shroud with aligned round holes DECO2 Decorative shroud with vertical slots	BKT Jet black BZT Bronze CHT Champagne DGT Gun metal GRT Titanium gray MST Matte silver SGT Steel gray WHT Snow white CMC Custom matched color ⁸ RAL RAL color ⁹	ADG American douglas BRC Birch CHN Chestnut CRY Cherry KNP Knotty pine MPL Maple OFL Oak RSW Rosewood TEK Teak WLN Walnut	MG Marine grade paint ¹¹	L/AB Less anchor bolts

NOTES

- *- Denotes a required field
- 1- Not available with 347V, 480V, HVOLT, PH or NLTMSP. OAH increases by 1" for RGBW models.
- 2- Available only with RGBW.
- 3- Not available in Canada.
- 4- Not available with PH.
- 5- GFI and CGF are installed 30" above grade on access door side.
- 6- GFI and CGF requires 120V feed.
- 7- CGF cover protrudes by 3.62" (92mm).
- 8- Contact factory to coordinate custom matching color.
- 9- Specify RAL number.
- 10- Faux wood finish not applied to the fixture head, accessories, base cover or hand-hole. Additional delay required. Not compatible with marine grade paint.
- 11- Marine grade paint for harsh, coastal environment and exposure to salt water. Additional delay required.

ORDERING CODE

*SERIES	*LIGHT OUTPUT	* COLUMN POLE	*CCT	*VOLTAGE
LQ640 	<u>Static White</u> L8L24 2623 lm/22w (656 lm/ft) L8L36 3708 lm/32w (927 lm/ft) L8L56 5698 lm/50w (1425 lm/ft) L8L80 8320 lm/76w (2080 lm/ft) L8L104 10762 lm/103w (2691 lm/ft) <u>RGBW</u> L8RGBW 4158 lm/71w (1039 lm/ft) ^{1,2} Delivered lumens calculated at 4000K/80CRI except for RGBW. Typical power consumption. Refer to LCF table for outputs at other CCTs. For RGBW, values are for total delivered lumens. For individual maximum output values, refer to RGBW details section.	LQP669 Square column 6' LQP693 Square column 8' LQP6117 Square column 10' LQP6141E Square column 12' (external base) LQP6165E Square column 14' ³ (external base)	27K 2700K 30K 3000K 35K 3500K 40K 4000K RGBW RGB + white 4000K	120 120V 277 277V 347 347V 480 480V MVOLT 120V-277V HVOLT 347V-480V
	For overall height by series refer to chart on pg 5.			


CONTROLS	FUSE	PHOTOCELL	SURGE PROTECTOR	GFI
NLTMSP nLight AIR 2.0 motion sensor mounted on pole ⁴	FS Fuse	PH Photocell	SP Surge protector	CGF Circuit ground fault interruption receptacle with clear in-use cover ^{5,6,7} GFI Circuit ground fault interruption receptacle ^{5,6}

SHIELDING ACCESSORIES	*FINISH	WOOD FINISHES ¹⁰	ENVIRONMENT	LESS ANCHOR BOLTS
BLS1 Blockout shield one side BLS2 Blockout shield two sides at 90° BLS3 Blockout shield three sides DECO1 Decorative shroud with aligned round holes DECO2 Decorative shroud with vertical slots	BKT Jet black BZT Bronze CHT Champagne DGT Gun metal GRT Titanium gray MST Matte silver SGT Steel gray WHT Snow white CMC Custom matched color ⁸ RAL RAL color ⁹	ADG American douglas BRC Birch CHN Chestnut CRY Cherry KNP Knotty pine MPL Maple OFL Oak RSW Rosewood TEK Teak WLN Walnut	MG Marine grade paint ¹¹	L/AB Less anchor bolts

NOTES

- *- Denotes a required field
- 1- Not available with 347V, 480V, HVOLT, PH or NLTMSP. OAH increases by 1" for RGBW models.
- 2- Available only with RGBW.
- 3- Not available in Canada.
- 4- Not available with PH.
- 5- GFI and CGF are installed 30" above grade on access door side.
- 6- GFI and CGF requires 120V feed.
- 7- CGF cover protrudes by 3.62" (92mm).
- 8- Contact factory to coordinate custom matching color.
- 9- Specify RAL number.
- 10- Faux wood finish not applied to the fixture head, accessories, base cover or hand-hole. Additional delay required. Not compatible with marine grade paint.
- 11- Marine grade paint for harsh, coastal environment and exposure to salt water. Additional delay required.

ORDERING CODE

*SERIES	*LIGHT OUTPUT	* COLUMN POLE	*CCT	*VOLTAGE	
LQ670 	<u>Static White</u> L12L36 3708 lm/32w (618 lm/ft) L12L54 5472 lm/47w (912 lm/ft) L12L84 8592 lm/76w (1432 lm/ft) L12L120 12616 lm/116w 2103 lm/ft) L12L156 15737 lm/150w (2623 lm/ft) <u>RGBW</u> L12RGBW 6272 lm/108w (1045 lm/ft) ^{1,2}	LQP669 Square column 6' LQP693 Square column 8' LQP6117E Square column 10' (external base) LQP6141E Square column 12' (external base) LQP6165E Square column 14' ³ (external base)	27K 2700K 30K 3000K 35K 3500K 40K 4000K RGBW RGB + white 4000K	120 120V 277 277V 347 347V 480 480V MVOLT 120V-277V HVOLT 347V-480V	
	Delivered lumens calculated at 4000K/80CRI except for RGBW. Typical power consumption. Refer to LCF table for outputs at other CCTs. For RGBW, values are for total delivered lumens. For individual maximum output values, refer to RGBW details section.		For overall height by series refer to chart on pg 5.		

CONTROLS	FUSE	PHOTOCELL	SURGE PROTECTOR	GFI
NLTMSP nLight AIR 2.0 motion sensor mounted on pole ⁴	FS Fuse	PH Photocell	SP Surge protector	CGF Circuit ground fault interruption receptacle with clear in-use cover ^{5,6,7} GFI Circuit ground fault interruption receptacle ^{5,6}

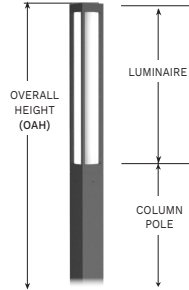
SHIELDING ACCESSORIES	*FINISH	WOOD FINISHES ¹⁰	ENVIRONMENT	LESS ANCHOR BOLTS
BLS1 Blockout shield one side BLS2 Blockout shield two sides at 90° BLS3 Blockout shield three sides DECO1 Decorative shroud with aligned round holes DECO2 Decorative shroud with vertical slots	BKT Jet black BZT Bronze CHT Champagne DGT Gun metal GRT Titanium gray MST Matte silver SGT Steel gray WHT Snow white CMC Custom matched color ⁹ RAL RAL color ⁹	ADG American douglas BRC Birch CHN Chestnut CRY Cherry KNP Knotty pine MPL Maple OFL Oak RSW Rosewood TEK Teak WLN Walnut	MG Marine grade paint ¹¹	L/AB Less anchor bolts

NOTES

- *- Denotes a required field
- 1- Not available with 347V, 480V, HVOLT, PH or NLTMSP. OAH increases by 1" for RGBW models.
- 2- Available only with RGBW.
- 3- Not available in Canada.
- 4- Not available with PH.
- 5- GFI and CGF are installed 30" above grade on access door side.
- 6- GFI and CGF requires 120V feed.
- 7- CGF cover protrudes by 3.62" (92mm).
- 8- Contact factory to coordinate custom matching color.
- 9- Specify RAL number.
- 10- Faux wood finish not applied to the fixture head, accessories, base cover or hand-hole. Additional delay required. Not compatible with marine grade paint.
- 11- Marine grade paint for harsh, coastal environment and exposure to salt water. Additional delay required.

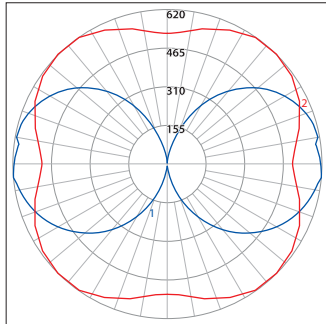
OVERALL HEIGHT (OAH) LUMINAIRE & COLUMN POLE

COLUMN POLE	LQ620	LQ640	LQ670
LQP669	96"	120"	144"
LQP693	120"	144"	168"
LQP6117	144"	168"	192"
LQP6141	168"	192"	216"
LQP6165	192"	216"	240"



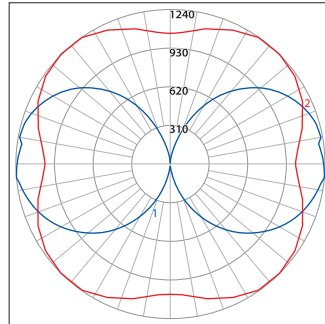
TYPICAL PHOTOMETRY SUMMARY

LQ620-L4L52



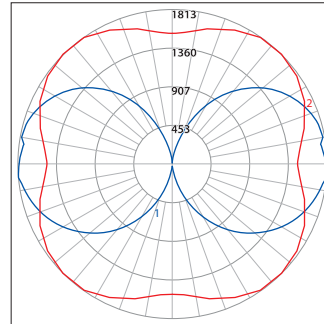
Total Lms: 5381 Lumens
Total Input Watts: 51,4 W
Efficacy: 104,6 Lumens/Watt
BUG: B2-U5-G3
CCT/CRI: 4000K/80
Maximum Candela: 618 @
 47.5°H/85°V

LQ640-L8L104



Total Lms: 10762 Lumens
Total Input Watts: 102,9 W
Efficacy: 104,6 Lumens/Watt
BUG: B3-U5-G4
CCT/CRI: 4000K/80
Maximum Candela: 1235 @
 47.5°H/85°V

LQ670-L12L156




Total Lms: 15737 Lumens
Total Input Watts: 150 W
Efficacy: 104,9 Lumens/Watt
BUG: B3-U5-G5
CCT/CRI: 4000K/80
Maximum Candela: 1806 @
 47.5°H/85°V

LUMEN CONVERSION FACTOR (LCF)

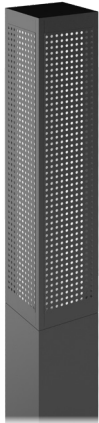
CCT	CRI	LCF
2700K	80	0.91
3000K	80	0.94
3500K	80	0.98
4000K	80	1.00

All Photometry shown use the 80CRI 4000K LEDs.
 Please visit our web site www.luminis.com for complete I.E.S. file.

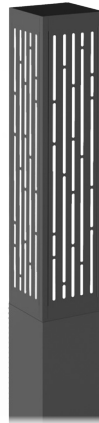
OPTION DETAILS



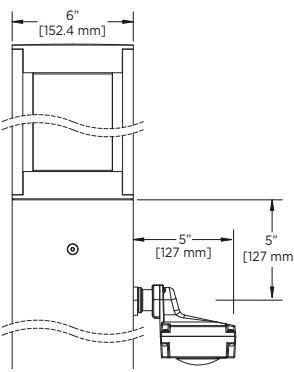
BLS1-BLS2-BLS3
 Blockout shield available on one side, two sides (at 90°) or three sides.




DECO1
 Decorative shroud.
 20% light transmission.



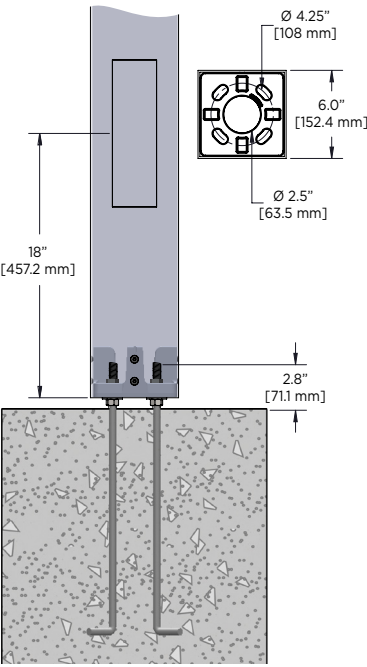
DECO2
 Decorative shroud.
 30% light transmission.



NLTMSP 
 nLight AIR 2.0 motion sensor module mounted on pole.
 270° coverage.
 Installed at 180° from hand hole.

MOUNTING DETAILS

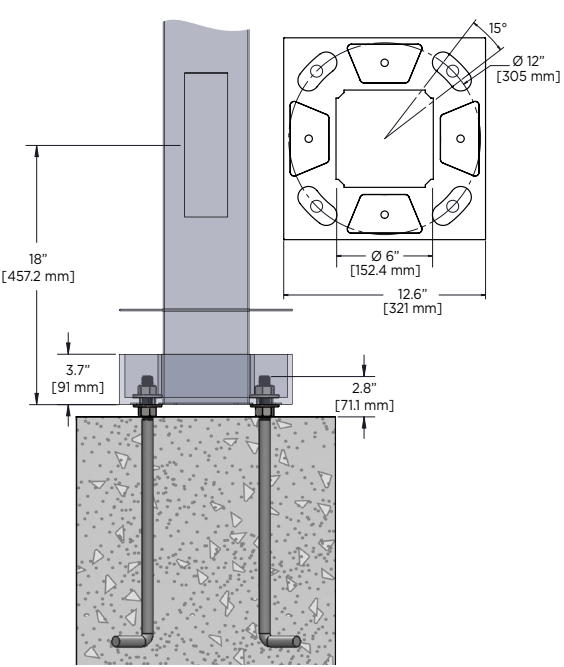
INTERNAL BASE - OVERALL HEIGHTS FROM 96" (8FT) TO 168" (14FT)



Ø 4.25" [108 mm]
 6.0" [152.4 mm]
 Ø 2.5" [63.5 mm]
 18" [457.2 mm]
 2.8" [71.1 mm]

COLUMN IS SECURED WITH A SET OF (4) 1/2"-13 X 18" LG GALVANIZED ANCHOR BOLTS

EXTERNAL BASE - OVERALL HEIGHTS ABOVE 168" (14FT)



15°
 Ø 12" [305 mm]
 18" [457.2 mm]
 3.7" [91 mm]
 2.8" [71.1 mm]
 Ø 6" [152.4 mm]
 12.6" [321 mm]

FOR HEIGHTS ABOVE 168" (14FT) THROUGH 240" (20 FT), COLUMN IS SECURED WITH A SET OF (4) 3/4"-10 X 18" LG GALVANIZED ANCHOR BOLTS

RGBW DMX DETAILS

TOTAL DELIVERED LUMENS

Maximum output values



	WHITE 4000K			TOT RGB			TOT		
	W	lm	lm/ft	W	lm	lm/ft	W	lm	lm/ft
LQ620	9	1041	521	26	1005	502	35	2046	1023
LQ640	19	2123	531	52	2035	508	71	4158	1039
LQ670	28	3205	534	80	3067	511	108	6272	1045

The fixtures will be delivered with the default address 1.

RGBW – DMX / RDM 4 CHANNELS

USERS CAN GENERATE ANY COLOR BY MIXING THE INTENSITY OF FOUR INDEPENDENT RED, GREEN, BLUE AND WHITE CHANNELS.

COLOR	R	G	B	W
CHANNEL	1	2	3	4

NOTE: Default factory settings. Controller supplied by others.