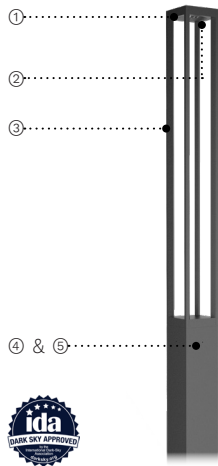
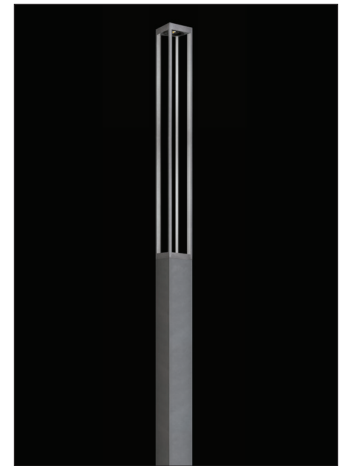


PROJECT NAME: _____ QUANTITY: _____ TYPE: _____

ORDERING CODE: _____



- ① Cast aluminum top cover.
- ② Optical system assembly.
- ③ 4x extruded aluminum struts.
- ④ Cast aluminum driver housing.
- ⑤ 6" (152mm) x 6" (152mm) extruded aluminum square body.



LQ641

MATERIALS

Lumiquad column is made of 6061-T6 extruded aluminum alloy. All other parts are made of corrosion resistant 356 aluminum alloy with a copper (CU) content of less than 0.1%.

ELECTRICAL DRIVER

Driver is 0-10V dimming-ready (dims to 10%) with: 120-277 multi-volt compatibility (50-60Hz), operating temperatures of -40°C/-40°F to 55°C/131°F, output over voltage protection, output over current protection, output short circuit protection with auto-recovery.

LED LIGHT ENGINE

Offered in 2700K/3000K/3500K/4000K CCT with 80 CRI. 70% LED lumen maintenance at 60,000 hours (L70/B50) based on IESNA LM-80-08 LED extrapolated life, calculated per IESNA TM-21-21. Optional true amber LED for turtle sensitive areas. Wavelengths: 585nm to 597nm.

FINISH

Five-stage preparation process includes preheating of cast aluminum parts for air extraction. Polyester powder coating is applied through an electrostatic process, and oven cured for long term finish.

CERTIFICATION

UL Certified to Canadian and U.S. safety standards. Certified for use in wet locations. Rated IP65. Photometric testing performed by an independent laboratory in accordance with IES LM-79-08 standards at 25°C. Actual performance may differ as a result of end-user environment and application.

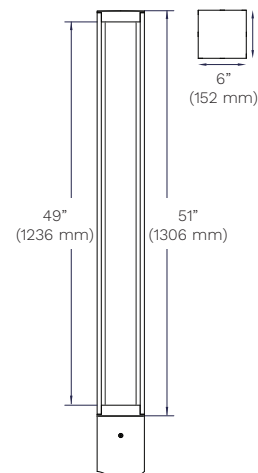
WARRANTY

5-year limited warranty. This is the only warranty provided and no other statements in this specification sheet create any warranty of any kind. All other express and implied warranties are disclaimed. Complete warranty terms located at: <https://www.acuitybrands.com/support/warranty/terms-and-conditions>


MOUNTING

Lumiquad column is designed for ease of access and installation. For overall heights of 96" (8FT) to 168" (14FT): The cast aluminum base plate is secured with a set of (4) 1/2"-13 x 18" lg. galvanized anchor bolts. For overall heights above 168" (14FT): The cast aluminum base plate is secured with a set of (4) 3/4"-10 x 18" lg. galvanized anchor bolts. Accessibility is done through a flush mount 2" x 4" (100mm x 178mm) hand hole cover plate.

MEASUREMENTS



ORDERING CODE

*SERIES	*LIGHT OUTPUT	DISTRIBUTION	*COLUMN POLE	*CCT ³	*VOLTAGE
LQ641 	<u>Static White</u> L1L15 1614 lm/17w L1L25 2627 lm/29w L1L50 5144 lm/69w <u>True Amber</u> L1LK2A 406 lm/12w ¹	LD2 Type II LD5 Type V Required field except with LVR option.	LQP669 Square column 6' LQP693 Square column 8' LQP6117 Square column 10' LQP6141E Square column 12' (external base) LQP6165E Square column 14' ² (external base)	27K 2700K 30K 3000K 35K 3500K 40K 4000K AMB Wavelengths: 585nm to 597nm	120 120V 277 277V 347 347V 480 480V MVOLT 120V-277V HVOLT 347V-480V
	Delivered lumens calculated at 4000K/80CRI except for amber. Type V distribution. Refer to reference table for outputs at other distribution types. Typical power consumption. Refer to LCF table for outputs at other CCTs.		For overall height by series refer to chart on pg 3.		

CONTROLS	FUSE	PHOTOCELL	SURGE PROTECTOR	GFI
NLTMS nLight AIR 2.0 motion sensor mounted on pole ³	FS Fuse	PH Photocell	SP Surge protector	CGF Circuit ground fault interruption receptacle with clear in-use cover ^{5,6} GFI Circuit ground fault interruption receptacle ⁵

SHIELDING ACCESSORIES	LOUVERS	*FINISH	WOOD FINISHES ¹²	ENVIRONMENT
BLS1 Blockout shield - one side ⁷ BLS2 Blockout shield - two sides at 90° ⁸ BLS3 Blockout shield - three sides ⁸	LVR Glare control louvers with 90° optic lens ⁹	BKT Jet black BZT Bronze CHT Champagne DGT Gun metal GRT Titanium gray MST Matte silver SGT Steel gray WHT Snow white CMC Custom matched color ¹⁰ RAL RAL color ¹¹	ADG American douglas BRC Birch CHN Chestnut CRY Cherry KNP Knotty pine MPL Maple OFL Oak RSW Rosewood TEK Teak WLN Walnut	MG Marine grade paint ¹³

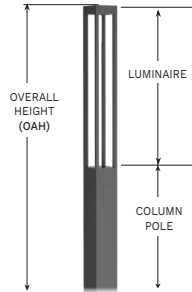
LESS ANCHOR BOLTS
L/AB Less anchor bolts

NOTES

- *- Denotes a required field
- 1- Available only with AMB.
- 2- Not available in Canada.
- 3- For IDA certification compliance, luminaire must be ordered with 3000K or warmer.
- 4- Not available with PH.
- 5- GFI and CGF are installed 30" above grade on access door side. GFI and CGF requires 120V feed.
- 6- CGF cover protrudes by 3.62" (92mm).
- 7- Installed on back side when distribution Type II is selected.
- 8- Not available with distribution Type II.
- 9- Not available with any BLS option. Not available with LD2 or LD5.
- 10- Contact factory to coordinate custom matching color.
- 11- Specify RAL number.
- 12- Faux wood finish not applied to the fixture head, accessories, base cover or hand-hole. Additional delay required. Not compatible with marine grade paint.
- 13- Marine grade paint for harsh, coastal environment and exposure to salt water. Additional delay required.

OVERALL HEIGHT (OAH) LUMINAIRE & COLUMN POLE

COLUMN POLE	LQ641
LQP669	120"
LQP693	144"
LQP6117	168"
LQP6141E	192"
LQP6165E	216"

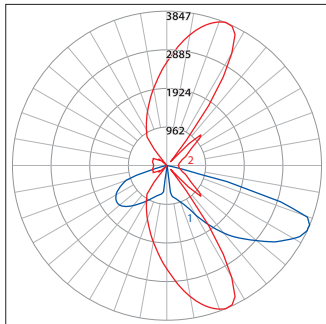


REFERENCE TABLE - LIGHT OUTPUT

SERIES	LIGHT OUTPUT - STATIC WHITE	LIGHT OUTPUT - AMBER
LQ641	Type II	Type II
	L1L15 1626 lm / 14w	L1LK2A 420 lm / 12w
	L1L25 2666 lm / 25w	
	L1L50 5137 lm / 56w	

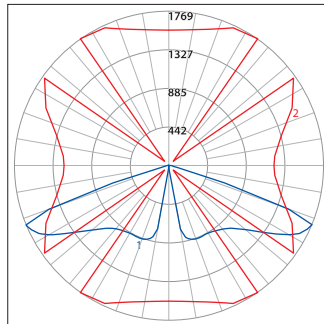
TYPICAL PHOTOMETRY SUMMARY

LQ641-L1L50-LD2



Total Lms: 5137 Lumens
Total Input Watts: 55,3 W
Efficacy: 92,9 Lumens/Watt
BUG: B2-U0-G2
CCT/CRI: 4000K/80
Maximum Candela: 3803 @ 55°H/42.5°V

LQ641-L1L50-LD5



Total Lms: 5144 Lumens
Total Input Watts: 69,1 W
Efficacy: 74,4 Lumens/Watt
BUG: B3-U0-G1
CCT/CRI: 4000K/80
Maximum Candela: 1738 @ 55°H/47.5°V

LUMEN CONVERSION FACTOR (LCF)		
CCT	CRI	LCF
2700K	80	0.91
3000K	80	0.94
3500K	80	0.98
4000K	80	1.00

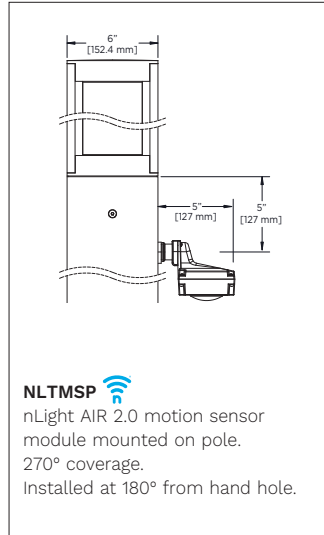
All Photometry shown use the 80CRI 4000K LEDs.
 Please visit our web site www.luminis.com for complete I.E.S. file.

LUMINIS.COM

Toll free: (866) 586-4647 | Fax: (514) 683-8872 | Email: info@luminis.com
 260 Labrosse, Pointe-Claire (QC) Canada H9R 5L5

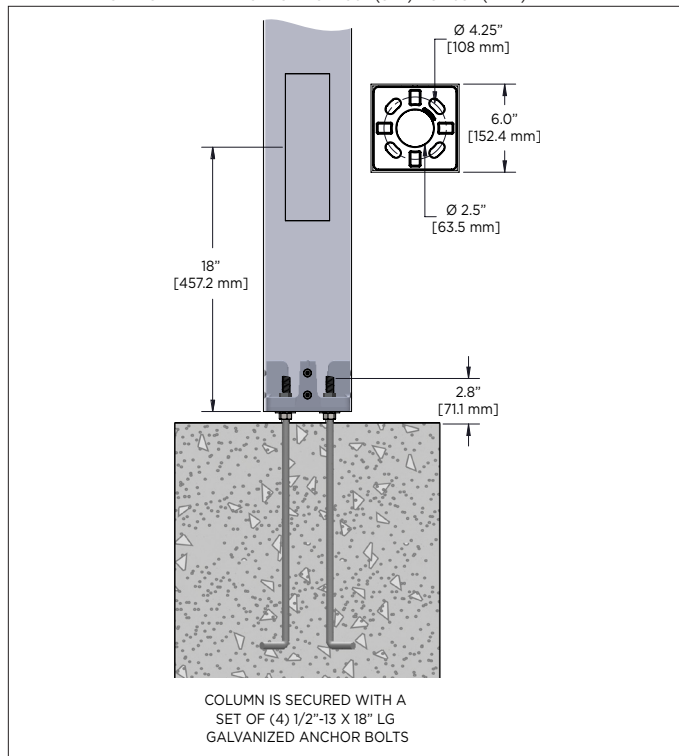
© 2024 Acuity Brands Lighting Canada, Inc. All rights reserved. Specifications subject to change without notice.

OPTION DETAILS



MOUNTING DETAILS

INTERNAL BASE - OVERALL HEIGHTS FROM 96" (8FT) TO 168" (14FT)



EXTERNAL BASE - OVERALL HEIGHTS ABOVE 168" (14FT)

