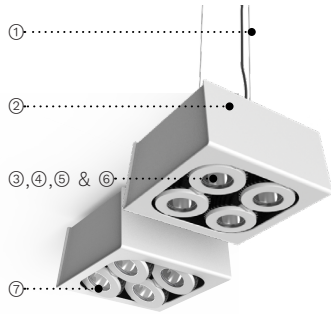


PROJECT NAME: \_\_\_\_\_ QUANTITY: \_\_\_\_\_ TYPE: \_\_\_\_\_

ORDERING CODE: \_\_\_\_\_



- ① Silver braided power cable with aircraft safety cable. Stem option available.
- ② Bent aluminum housing.
- ③ Sealed cast aluminum light assembly.
- ④ Sealed cast aluminum lens frame.
- ⑤ Clear tempered glass frame.
- ⑥ Faceted specular aluminum reflector.
- ⑦ Light module with  $\pm 30^\circ$  tilting mechanism allowing forward and back light adjustability. Standard fully adjustable  $358^\circ$  rotation. Regressed light module available as an option.



MU220



MU230

## MATERIALS

Multilux is made of corrosion resistant 356 aluminum alloy with a copper (CU) content of less than 0.1%. The main housing is made of bent aluminum, with an integrally sealed LED light module designed for optimal heat dissipation, and lighting performance. Multilux is standard with a unique proprietary design allowing the sealed LED module to be flush or regressed (optional) and to tilt within the housing. The internal assembly is designed to allow air circulation and cooling of parts.

## ELECTRICAL DRIVER

Driver is 0-10V dimming-ready (dims to 10%) with: 120-277 multi-volt compatibility (50-60Hz), operating temperature range of  $-20^\circ\text{C}/-4^\circ\text{F}$  to  $50^\circ\text{C}/122^\circ\text{F}$ , output over voltage protection, output over current protection and output short circuit protection with auto-recovery.

## LED LIGHT ENGINE

Offered in 2700K, 3000K, 3500K & 4000K with 80CRI. 70% LED lumen maintenance at 60,000 hours (L70/B50) based on IESNA LM-80-08 LED extrapolated life, calculated per IESNA TM-21-21.

## FINISH

Five-stage preparation process including preheating of cast aluminum parts for air extraction, and an environmentally friendly alloy sealant. Polyester powder coating is applied through an electrostatic process and oven cured for long term finish.

## CERTIFICATION

UL Certified to Canadian and U.S. safety standards. Certified for use in damp locations (under canopy). Rated IP33. Photometric testing performed by an independent laboratory in accordance with IES LM-79-08 standards at  $25^\circ\text{C}$ . Actual performance may differ as a result of end-user environment and application.

## WARRANTY

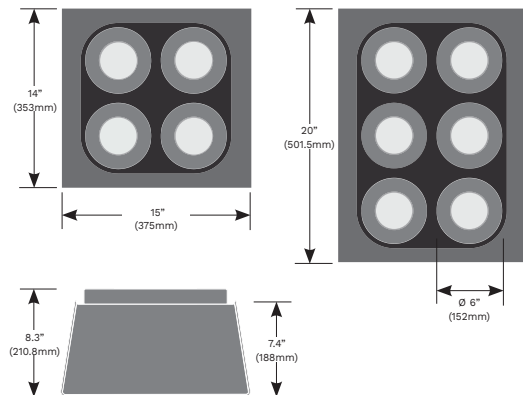
5-year limited warranty. This is the only warranty provided and no other statements in this specification sheet create any warranty of any kind. All other express and implied warranties are disclaimed. Complete warranty terms located at: <https://www.acuitybrands.com/support/warranty/terms-and-conditions>

## MOUNTING


The mounting plate is designed to fit on a 4" (102mm) octagonal electrical box using 3.5" (89mm) C/C mounting holes with a set of four (4) additional anchoring hardware by others. Additional mounting holes are provided per site requirements.

## MEASUREMENTS

**Maximum weight:** MU220 24.7 lbs (11.2 kg)  
 MU230 32.2 lbs (14.6 kg)



**ORDERING CODE**

*SERIES	*LIGHT OUTPUT	*DISTRIBUTION	*CCT	*VOLTAGE	*MOUNTING
<b>MU220</b> 	<u>Static White</u> <b>L4L15</b> 6083 lm / 58w <b>L4L25</b> 10121 lm / 102w <b>L4L40</b> 14152 lm / 153w  Delivered lumens calculated at 4000K/80CRI. Flood optic distribution. Typical power consumption. Refer to LCF table for outputs at other CCTs.	<b>NR</b> Narrow optic 15° <b>FLD</b> Flood optic 30° <b>VWD</b> Very wide optic 52°	<b>27K</b> 2700K <b>30K</b> 3000K <b>35K</b> 3500K <b>40K</b> 4000K	<b>120</b> 120V <b>277</b> 277V <b>347</b> 347V <sup>3</sup> <b>480</b> 480V <sup>3</sup> <b>HVOLT</b> 347V-480V <sup>3</sup> <b>MVOLT</b> 120V-277V	<b>SPG</b> Silver braided power cord with aircraft cable  <b>STM</b> Field-cutttable hang straight stem <sup>4</sup>
	<u>Very Narrow Distribution</u> <b>L4L15NR</b> 6014 lm / 102w <sup>1</sup>  Delivered lumens calculated at 4000K/80CRI. Very narrow optic distribution. Typical power consumption. Refer to LCF table for outputs at other CCTs.	<b>VNR</b> Very narrow optic 9° <sup>2</sup>			

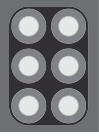
*SUSPENSION LENGTH	CONTROLS	LENS/DIFFUSER	FUSE	DUAL SWITCHING	EMERGENCY
<b>12IN</b> 12" <b>24IN</b> 24" <b>36IN</b> 36" <b>48IN</b> 48" <b>60IN</b> 60"  Available up to 240" in 12" increments.	<b>DMX</b> DMX/RDM dim to dark 0% <sup>5</sup>  <b>NLTAIR2</b> nLight AIR Control gen2 embedded in canopy, with black antenna <sup>6</sup>	<b>LSL</b> Linear spread lens <b>SL</b> Solite lens	<b>FS</b> Fuse	<b>DSL</b> Dual circuit switching - Linear <sup>7</sup>  <b>DSX</b> Dual circuit switching - Cross <sup>7</sup>	<b>EM10L</b> 10W integral emergency battery, 90 min - Linear <sup>8</sup>  <b>EM10X</b> 10W integral emergency battery, 90 min - Cross <sup>8</sup>

LOUVERS	REGRESSED	*FINISH	*LIGHT MODULE FINISH	ADDITIONAL FINISH	ENVIRONMENT
<b>HL</b> Hexcell louver	<b>RG</b> Regressed light module	<b>BKT</b> Jet black <b>BZT</b> Bronze <b>CHT</b> Champagne <b>DGT</b> Gun metal <b>GRT</b> Titanium gray <sup>9</sup> <b>MST</b> Matte silver <sup>9</sup> <b>SGT</b> Steel gray <b>WHT</b> Snow white <sup>9</sup>  <b>CMC</b> Custom matched color <sup>10</sup> <b>RAL</b> RAL color <sup>11</sup>	<b>LMB</b> Light module lens frame - Black  <b>LMM</b> Light module lens frame - Match housing color	<b>LIN</b> Black inner housing	<b>NT</b> Natatorium suitable <sup>12</sup>

NOTES

- \*- Denotes a required field
- 1- Available only with VNR distribution option. Not available with 27K or 35K.
- 2- Field angle 18°.
- 3- Available only with L4L15 and L4L25.
- 4- If DMX option is selected, STM maximum length is 36" (914mm).
- 5- Not available with EM10L, EM10X, 347V, 480V, HVOLT. Default dimming curve: Logarithmic. Factory set to address one unless otherwise specified. Refer to DMX Reference Guide for more information.
- 6- Available only with 120V or 277V. Installed in either Ø11" or Ø15" canopy with STM. Refer to the mounting image for more details. Not available with EM10L, EM10X, DMX, DS, SPG, NT, VNR.
- 7- Not available with EM10L, EM10X, DMX
- 8- Available only with L4L15. Powers half the light modules. Drivers can be dimmed to 1%.
- 9- Recommended addition of black inner liner (LIN) to minimize internal reflection.
- 10- Contact factory to coordinate custom matching color.
- 11- Specify RAL number.
- 12- Available only in WHT and BKT finish. Not available with SPG.

**ORDERING CODE**

*SERIES	*LIGHT OUTPUT	*DISTRIBUTION	*CCT	*VOLTAGE	*MOUNTING
<b>MU230</b> 	<u>Static White</u> <b>L6L15</b> 9315 lm / 88w <b>L6L25</b> 15182 lm / 154w <b>L6L40</b> 21227 lm / 230w  Delivered lumens calculated at 4000K/80CRI. Flood optic distribution. Typical power consumption. Refer to LCF table for outputs at other CCTs.	<b>NR</b> Narrow optic 15° <b>FLD</b> Flood optic 30° <b>VWD</b> Very wide optic 52°	<b>27K</b> 2700K <b>30K</b> 3000K <b>35K</b> 3500K <b>40K</b> 4000K	<b>120</b> 120V <b>277</b> 277V <b>347</b> 347V <sup>3</sup> <b>480</b> 480V <sup>3</sup> <b>HVOLT</b> 347V-480V <sup>3</sup> <b>MVOLT</b> 120V-277V	<b>SPG</b> Silver braided power cord with aircraft cable  <b>STM</b> Field-cutttable hang straight stem <sup>4</sup>
	<u>Very Narrow Distribution</u> <b>L6L15NR</b> 8453 lm / 141w <sup>1</sup>  Delivered lumens calculated at 4000K/80CRI. Very narrow optic distribution. Typical power consumption. Refer to LCF table for outputs at other CCTs.	<b>VNR</b> Very narrow optic 9° <sup>2</sup>			

*SUSPENSION LENGTH	CONTROLS	LENS/DIFFUSER	FUSE	DUAL SWITCHING	EMERGENCY
<b>12IN</b> 12" <b>24IN</b> 24" <b>36IN</b> 36" <b>48IN</b> 48" <b>60IN</b> 60"  Available up to 240" in 12" increments.	<b>DMX</b> DMX/RDM dim to dark 0% <sup>5</sup>  <b>NLTAIR2</b> nLight AIR Control gen2 embedded in canopy, with black antenna <sup>6</sup>	<b>LSL</b> Linear spread lens <b>SL</b> Solite lens	<b>FS</b> Fuse	<b>DSL</b> Dual circuit switching - Linear <sup>7</sup>  <b>DSX</b> Dual circuit switching - Cross <sup>7</sup>	<b>EM10L</b> 10W integral emergency battery, 90 min - Linear <sup>8</sup>  <b>EM10X</b> 10W integral emergency battery, 90 min - Cross <sup>8</sup>

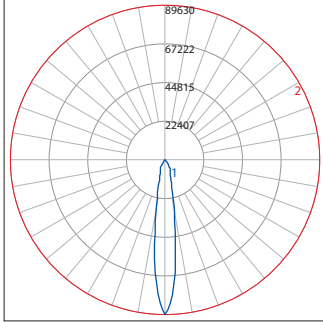
LOUVERS	REGRESSED	*FINISH	*LIGHT MODULE FINISH	ADDITIONAL FINISH	ENVIRONMENT
<b>HL</b> Hexcell louver	<b>RG</b> Regressed light module	<b>BKT</b> Jet black <b>BZT</b> Bronze <b>CHT</b> Champagne <b>DGT</b> Gun metal <b>GRT</b> Titanium gray <sup>9</sup> <b>MST</b> Matte silver <sup>9</sup> <b>SGT</b> Steel gray <b>WHT</b> Snow white <sup>9</sup>  <b>CMC</b> Custom matched color <sup>10</sup> <b>RAL</b> RAL color <sup>11</sup>	<b>LMB</b> Light module lens frame - Black  <b>LMM</b> Light module lens frame - Match housing color	<b>LIN</b> Black inner housing	<b>NT</b> Natatorium suitable <sup>12</sup>

**NOTES**

- \*- Denotes a required field
- 1- Available only with VNR distribution option. Not available with 27K or 35K.
- 2- Field angle 18°.
- 3- Available only with L6L15.
- 4- If DMX option is selected, STM maximum length is 36" (914mm).
- 5- Not available with EM10L, EM10X, 347V, 480V, HVOLT. For L6L40 lumen levels will be 20745. Default dimming curve: Logarithmic. Factory set to address one unless otherwise specified. Refer to DMX Reference Guide for more information (available on website).
- 6- Available only with 120V or 277V. Installed in either Ø11" or Ø15" canopy with STM. Refer to the mounting image for more details. Not available with L6L40, EM10L, EM10X, DMX, DS, SPG, NT, VNR.
- 7- Not available with L6L40, EM10L, EM10X, DMX.
- 8- Available only with L6L15. Powers half the light modules. Drivers can be dimmed to 1%.
- 9- Recommended addition of black inner liner (LIN) to minimize internal reflection.
- 10- Contact factory to coordinate custom matching color.
- 11- Specify RAL number.
- 12- Available only in WHT and BKT finish. Not available with SPG.

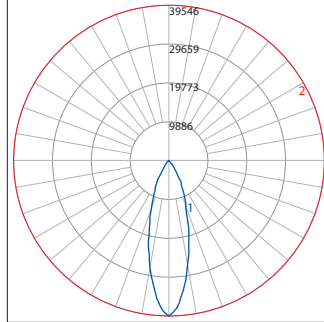
**TYPICAL PHOTOMETRY SUMMARY**

**MU220-L4L40-NR**



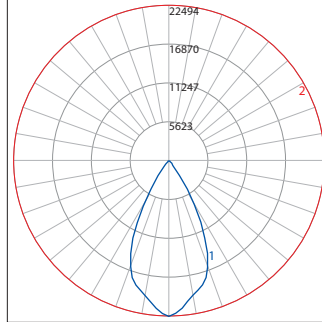
**Total Lms:** 13937 Lumens  
**Total Input Watts:** 153 W  
**Efficacy:** 91 Lumens/Watt  
**CCT/CRI:** 4000K/80  
**Maximum Candela:** 89630 @ 0°

**MU220-L4L40-FLD**



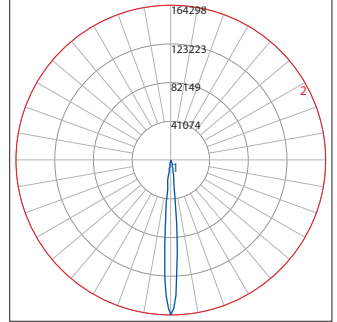
**Total Lms:** 14152 Lumens  
**Total Input Watts:** 153 W  
**Efficacy:** 92 Lumens/Watt  
**CCT/CRI:** 4000K/80  
**Maximum Candela:** 39546 @ 0°

**MU220-L4L40-VWD**



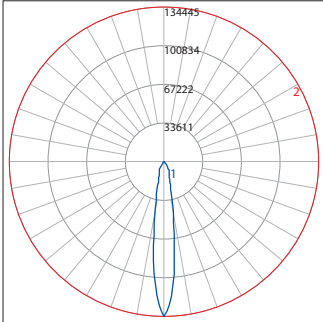
**Total Lms:** 15009 Lumens  
**Total Input Watts:** 153 W  
**Efficacy:** 98 Lumens/Watt  
**CCT/CRI:** 4000K/80  
**Maximum Candela:** 22494 @ 0°

**MU220-L4L15NR-VNR**



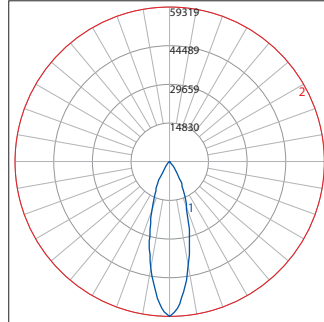
**Total Lms:** 6014 Lumens  
**Total Input Watts:** 102 W  
**Efficacy:** 59 Lumens/Watt  
**CCT/CRI:** 4000K/80  
**Maximum Candela:** 164298 @ 0°

**MU230-L6L40-NR**



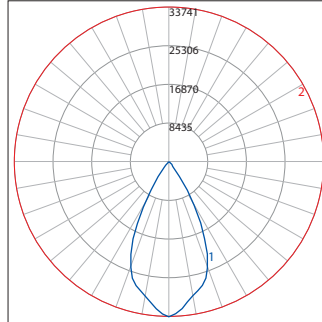
**Total Lms:** 20906 Lumens  
**Total Input Watts:** 230 W  
**Efficacy:** 91 Lumens/Watt  
**CCT/CRI:** 4000K/80  
**Maximum Candela:** 134445 @ 0°

**MU230-L6L40-FLD**



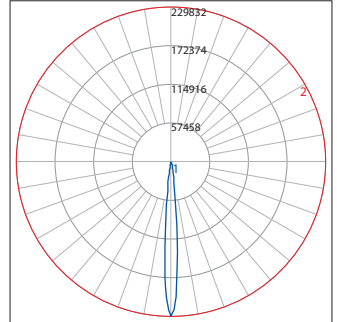
**Total Lms:** 21227 Lumens  
**Total Input Watts:** 230 W  
**Efficacy:** 92 Lumens/Watt  
**CCT/CRI:** 4000K/80  
**Maximum Candela:** 59319 @ 0°

**MU230-L6L40-VWD**



**Total Lms:** 22514 Lumens  
**Total Input Watts:** 230 W  
**Efficacy:** 98 Lumens/Watt  
**CCT/CRI:** 4000K/80  
**Maximum Candela:** 33741 @ 0°

**MU230-L6L15NR-VNR**

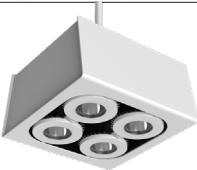


**Total Lms:** 8453 Lumens  
**Total Input Watts:** 141 W  
**Efficacy:** 60 Lumens/Watt  
**CCT/CRI:** 4000K/80  
**Maximum Candela:** 229832 @ 0°

LUMEN CONVERSION FACTOR (LCF)		
CCT	CRI	LCF
2700K	80	0.91
3000K	80	0.94
3500K	80	0.98
4000K	80	1.00

All Photometry shown use the 80CRI 4000K LEDs.  
 Please visit our web site [www.luminis.com](http://www.luminis.com) for complete I.E.S. file.

**OPTION DETAILS**

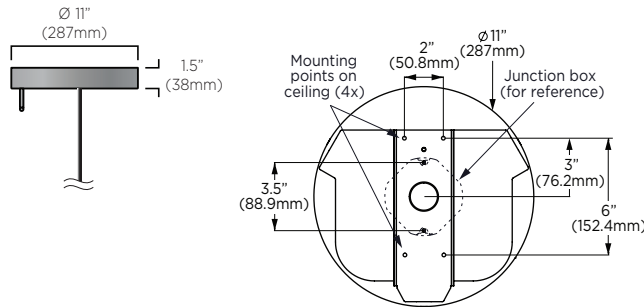


**STM**  
 Heavy duty 45° hang straight swivel, with Ø 5" (127mm) canopy and universal mounting plate. Ø 7/8" (22mm) X 36" Lg. (914mm) suspension stem with aircraft safety cable. Other lengths on request (specify STM with desired length).  
 NOTE: If DMX/RDM is selected, maximum length is 36" (914mm).




**SPG**  
 Silver braided power cable c/w on site adjustable aircraft safety cables.  
 NOTE: If DMX/RDM is selected, power cable and DMX cable will be separated.

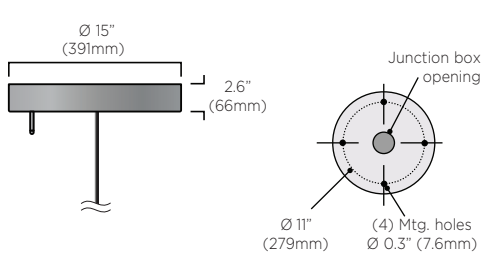
CANOPY TOP VIEW




Ø 11" (287mm)  
 1.5" (38mm)  
 Mounting points on ceiling (4x)  
 2" (50.8mm)  
 Ø 11" (287mm)  
 Junction box (for reference)  
 3" (76.2mm)  
 3.5" (88.9mm)  
 6" (152.4mm)

**NLTAIR2 (STM)**   
 Ø11" canopy with nLight AIR Control gen2 and black antenna.  
 For the following light sources:  
 L4L15

CANOPY TOP VIEW

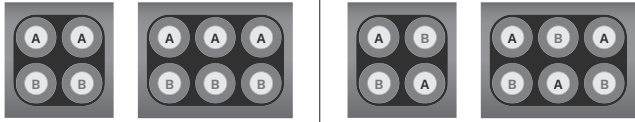


Ø 15" (391mm)  
 2.6" (66mm)  
 Junction box opening  
 Ø 11" (279mm)  
 (4) Mtg. holes Ø 0.3" (7.6mm)

**NLTAIR2 (STM)**   
 Ø15" canopy with nLight AIR Control gen2 and black antenna.  
 For the following light sources:  
 L4L25, L4L40  
 L6L15, L6L25



**RG**  
 Light modules regressed into the fixture. In tilted position the lens frame will not protrude from housing.



**DSL**  
 Configuration in linear pattern

**DSX**  
 Configuration in cross pattern