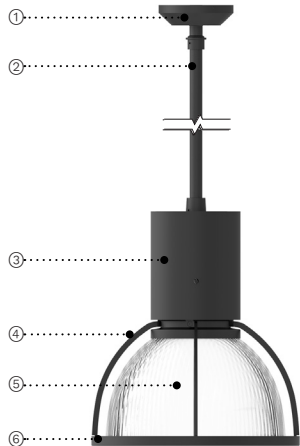


PROJECT NAME: \_\_\_\_\_ QUANTITY: \_\_\_\_\_ TYPE: \_\_\_\_\_

ORDERING CODE: \_\_\_\_\_



- ① Heavy duty 45° hang straight swivel, with Ø 5" (127mm) canopy and universal mounting plate.
- ② Field adjustable suspension stem or silver braided power cable with aircraft safety cable. Also, offered with a catenary suspension attachment.
- ③ Extruded aluminum driver housing.
- ④ Set of four side struts.
- ⑤ **PR1282:** Diffused acrylic prismatic refractor.  
**PR1287:** Aluminum reflector.  
 Inner surface: multi-faceted specular anodized.  
 Exterior surface: Satin anodized natural aluminum. Alternate exterior finish (Option RP)
- ⑥ Struts holder ring. Clear acrylic flat bottom lens (Option CF12) and diffused acrylic flat bottom lens (Option DF12) are available as options.



PR1282



PR1287

## MATERIALS

Prisma is made of an extruded aluminum housing designed to optimize the functionality of the driver and solid state components. Prisma is available with a choice of two interchangeable reflectors. Aluminum reflector designed to optimize light source performance and uniformity. Diffused acrylic prismatic refractor with a linear peripheral pattern providing general upward illumination with efficient down lighting.

## ELECTRICAL DRIVER

120V/277V driver is 0-10V dimming-ready (min. dim to 1%) with 120-277 multi-volt compatibility (50-60Hz), operating temperature range of -20°C/-4°F to +50°C/122°F, output over voltage protection, output over current protection and output short circuit protection with auto-recovery.

347V driver is 0-10V dimming ready (min. dim to 1%) with operating temperature range of -20°C/-4°F to +50°C/122°F, over current and output short circuit protection.

## LED LIGHT ENGINE

Offered in 2700K, 3000K, 3500K & 4000K with 80CRI. 70% LED lumen maintenance at 125,000 hours (L70/B50) based on IESNA LM-80-08 LED extrapolated life, calculated per IESNA TM-21-21.

## FINISH

Five-stage preparation process includes preheating of cast aluminum parts for air extraction. Polyester powder coating is applied through an electrostatic process, and oven cured for long term finish.

## CERTIFICATION

UL Certified to Canadian and U.S. safety standards. Certified for use in for damp location (exception: DMX models are dry location). Rated IP20. Photometric testing performed by an independent laboratory in accordance with IES LM-79-08 standards at 25°C. Actual performance may differ as a result of end-user environment and application.

## WARRANTY

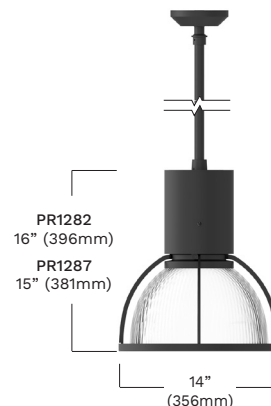
5-year limited warranty. This is the only warranty provided and no other statements in this specification sheet create any warranty of any kind. All other express and implied warranties are disclaimed. Complete warranty terms located at: <https://www.acuitybrands.com/support/warranty/terms-and-conditions>

## MOUNTING

Mounts on a standard 4" (102mm) octagonal electrical box with 3.5" (89mm) C/C mounting holes.

## MEASUREMENTS

Maximum weight: 10.3 lbs (4.7 kg)




## LUMINIS.COM

Toll free: (866) 586-4647 | Fax: (514) 683-8872 | Email: [info@luminis.com](mailto:info@luminis.com)  
 260 Labrosse, Pointe-Claire (QC) Canada H9R 5L5

## PR1282/PR1287

Rev. 11/26/24

**ORDERING CODE**

*SERIES	*LIGHT OUTPUT	*CCT	*VOLTAGE	CONTROLS
	<b>L1L10</b> 1424 lm / 11w	<b>27K</b> 2700K	<b>120</b> 120V	<b>DMX</b> DMX/RDM dim to dark 0%. <sup>4,5</sup> <b>NLTAIR2</b> nLight AIR 2.0 control embedded in canopy with black antenna <sup>6</sup>
	<b>L1L20</b> 2244 lm / 17w	<b>30K</b> 3000K	<b>277</b> 277V	
	<b>L1L30</b> 3298 lm / 24w	<b>35K</b> 3500K	<b>347</b> 347V <sup>2</sup>	
	<b>L1L40</b> 4061 lm / 31w	<b>40K</b> 4000K	<b>MVOLT</b> 120V-277V <sup>3</sup>	
	<b>L1L50</b> 5045 lm / 39w			
	<b>L1L60</b> 5995 lm / 48w <sup>1</sup>			
Delivered lumens calculated at 4000K/80CRI. Typical power consumption. Refer to LCF table for outputs at other CCTs.				


LENS/DIFFUSER	*MOUNTING	SUSPENSION LENGTH	FUSE
<b>CF12</b> Clear acrylic flat bottom lens <sup>7</sup>	<b>CAT3</b> Catenary suspension attachment	<b>12IN</b> 12"	<b>FS</b> Fuse
<b>DC12</b> Diffused acrylic prismatic bottom conical lens <sup>7</sup>	<b>SPG</b> Silver braided suspension power cord with aircraft cable	<b>24IN</b> 24"	
<b>DF12</b> Diffused acrylic flat bottom lens <sup>7</sup>	<b>STM</b> Field-cuttable hang straight suspension stem <sup>8</sup>	<b>36IN</b> 36"	
	<b>TA</b> 3/4" NPT conduit adaptor	<b>48IN</b> 48"	
		<b>60IN</b> 60"	
		Available up to 240" in 12" increments. Required field for SPG, STM.	

EMERGENCY	SHIELDING ACCESSORIES	*FINISH
<b>EM10</b> 10W integral emergency battery, 90 min <sup>9</sup>	<b>BC12</b> Aluminum lower diffuser band <sup>12</sup>	<b>BKT</b> Jet black
<b>EMC7</b> 7W integral emergency battery, 90 min. Within oversized ceiling canopy. <sup>10</sup>		<b>BZT</b> Bronze
<b>REM7</b> Remote emergency battery, 90 min, 7W <sup>11</sup>		<b>CHT</b> Champagne
		<b>DGT</b> Gun metal
		<b>GRT</b> Titanium gray
		<b>MST</b> Matte silver
		<b>SGT</b> Steel gray
		<b>WHT</b> Snow white
		<b>CMC</b> Custom matched color <sup>13</sup>
		<b>RAL</b> RAL color <sup>14</sup>

**NOTES**

- \*- Denotes a required field
- 1- Not available with DMX or EM10.
- 2- 347V not available with DMX, EM10, EMC7, REM7.
- 3- MVOLT not available with FS.
- 4- Default dimming curve: Logarithmic. Factory set to address one unless otherwise specified. Refer to DMX Reference Guide for more information (available on website).
- 5- Housing increases by 2.4" (60.9mm). Not available with L1L60, EM10, EMC7 or REM7. Mounting must be selected, choose between STM or SPG.
- 6- Available only with 120V or 277V. Installed in Ø11" canopy with STM/SPG. Refer to the mounting image for more details. Not available with DMX, REM7, EMC7, EM10, CAT3, TA.
- 7- Lumen conversion factor (LCF) 0.94.
- 8- If DMX option is selected, STM maximum length is 36" (914mm).
- 9- Housing will increase by 1.2" (30.5mm). Not available with L1L60. Not available with 347V.
- 10- EMC7 not available with CAT3 or TA options.
- 11- Remote mount 50ft - 12" square enclosure with access cover. The remote enclosure must be interior. Cable between fixture and remote box is provided by others. Not available with 347V or CAT3.
- 12- Available only with PR1282.
- 13- Contact factory to coordinate custom matching color.
- 14- Specify RAL number.

**ORDERING CODE**

*SERIES	*LIGHT OUTPUT	*CCT	*VOLTAGE	CONTROLS
	<b>L1L10</b> 1450 lm / 11w	<b>27K</b> 2700K	<b>120</b> 120V	<b>DMX</b> DMX/RDM dim to dark 0%. <sup>4,5</sup> <b>NLTAIR2</b> nLight AIR 2.0 control embedded in canopy with black antenna <sup>6</sup>
	<b>L1L20</b> 2284 lm / 17w	<b>30K</b> 3000K	<b>277</b> 277V	
	<b>L1L30</b> 3093 lm / 24w	<b>35K</b> 3500K	<b>347</b> 347V <sup>2</sup>	
	<b>L1L40</b> 4134 lm / 31w	<b>40K</b> 4000K	<b>MVOLT</b> 120V-277V <sup>3</sup>	
	<b>L1L50</b> 4890 lm / 38w			
	<b>L1L60</b> 5865 lm / 46w <sup>1</sup>			
Delivered lumens calculated at 4000K/80CRI. Typical power consumption. Refer to LCF table for outputs at other CCTs.				

LENS/DIFFUSER	*MOUNTING	SUSPENSION LENGTH	FUSE
<b>CF12</b> Clear acrylic flat bottom lens <sup>7</sup>	<b>CAT3</b> Catenary suspension attachment	<b>12IN</b> 12"	<b>FS</b> Fuse
<b>DC12</b> Diffused acrylic prismatic bottom conical lens <sup>7</sup>	<b>SPG</b> Silver braided suspension power cord with aircraft cable	<b>24IN</b> 24"	
<b>DF12</b> Diffused acrylic flat bottom lens <sup>7</sup>	<b>STM</b> Field-cuttable hang straight suspension stem <sup>8</sup>	<b>36IN</b> 36"	
	<b>TA</b> 3/4" NPT conduit adaptor	<b>48IN</b> 48"	
		<b>60IN</b> 60"	
Available up to 240" in 12" increments. Required field for SPG, STM.			

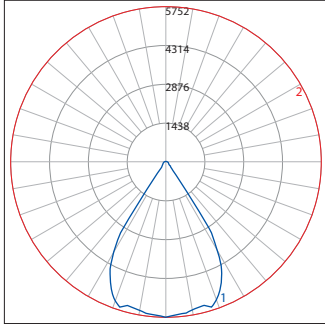
EMERGENCY	*FINISH	REFLECTOR FINISH
<b>EM10</b> 10W integral emergency battery, 90 min <sup>9</sup>	<b>BKT</b> Jet black	<b>RP</b> Exterior of aluminum reflector to match housing finish <sup>14</sup>
<b>EMC7</b> 7W integral emergency battery, 90 min. Within oversized ceiling canopy. <sup>10</sup>	<b>BZT</b> Bronze	
<b>REM7</b> Remote emergency battery, 90 min, 7W <sup>11</sup>	<b>CHT</b> Champagne	
	<b>DGT</b> Gun metal	
	<b>GRT</b> Titanium gray	
	<b>MST</b> Matte silver	
	<b>SGT</b> Steel gray	
	<b>WHT</b> Snow white	
	<b>CMC</b> Custom matched color <sup>12</sup>	
<b>RAL</b> RAL color <sup>13</sup>		

**NOTES**

- \*- Denotes a required field
- 1- Not available with DMX or EM10.
- 2- 347V not available with DMX, EM10, EMC7, REM7.
- 3- MVOLT not available with FS.
- 4- Default dimming curve: Logarithmic. Factory set to address one unless otherwise specified. Refer to DMX Reference Guide for more information (available on website).
- 5- Housing increases by 2.4" (60.9mm). Not available with L1L60, EM10, EMC7 or REM7. Mounting must be selected, choose between STM or SPG.
- 6- Available only with 120V or 277V. Installed in Ø11" canopy with STM/SPG. Refer to the mounting image for more details. Not available with DMX, REM7, EMC7, EM10, CAT3, TA.
- 7- Lumen conversion factor (LCF) 0.94.
- 8- If DMX option is selected, STM maximum length is 36" (914mm).
- 9- Housing will increase by 1.2" (30.5mm). Not available with L1L60. Not available with 347V.
- 10- EMC7 not available with CAT3 or TA options.
- 11- Remote mount 50ft - 12" square enclosure with access cover. The remote enclosure must be interior. Cable between fixture and remote box is provided by others. Not available with 347V or CAT3.
- 12- Contact factory to coordinate custom matching color.
- 13- Specify RAL number.
- 14- Available only with PR1287

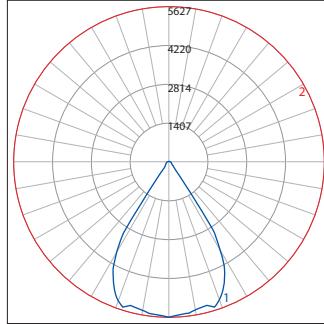
**TYPICAL PHOTOMETRY SUMMARY**

**PR1282-L1L60**



**Total Lms:** 5995 Lumens  
**Total Input Watts:** 47.7 W  
**Efficacy:** 126 Lumens/Watt  
**CCT/CRI:** 4000K/80  
**Maximum Candela:** 5,752 @ 0°H/0°V

**PR1287-L1L60**



**Total Lms:** 5865 Lumens  
**Total Input Watts:** 45.5 W  
**Efficacy:** 129 Lumens/Watt  
**CCT/CRI:** 4000K/80  
**Maximum Candela:** 5,627 @ 0°H/0°V

LUMEN CONVERSION FACTOR (LCF)		
CCT	CRI	LCF
2700K	80	0.92
3000K	80	0.95
3500K	80	0.98
4000K	80	1.00

All Photometry shown use the 80CRI 4000K LEDs.  
 Please visit our web site [www.luminis.com](http://www.luminis.com) for complete I.E.S. file.

## OPTION DETAILS

**NLTAIR2 (STM & SPG)**

Ø11" canopy with nLight AIR Control gen2 and black antenna.

For the following light outputs:  
 L1L10, L1L20, L1L30, L1L40,  
 L1L50, L1L60

**CF12**  
 Clear acrylic flat bottom lens with nickel plated clamp ring.

**DC12**  
 Diffused acrylic prismatic bottom conical lens with nickel plated clamp ring.

**DF12**  
 Diffused acrylic flat bottom lens with nickel plated clamp ring.

**CAT3**  
 Cast aluminum catenary junction box with 2 sealed connectors for 0.24"-0.47" (6mm-12mm) power cable. Ready to accept 1/4" or 1/2" stainless steel suspension cable.  
 Weight: 13.6 lbs (6.2 kg)  
 (Structural design, power cable, control cable, stainless steel catenary cable, cable fittings, and fittings for mounting to support structure provided by others.)


**ANGLE ADJUSTMENT MECHANISM**

**Power cable in:** 3 conductor x 14 gauge AWG. The 2 cable glands located at the top can accommodate a cable ranging from 10mm - 14mm.

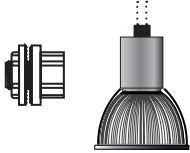
**Control cable in:** The 2 cable glands on the bottom can accommodate a cable ranging from 6mm - 11mm.

**SPG**  
 Silver braided power cord with onsite adjustable aircraft safety cable.  
 Second cord added to models with the following options: DMX.

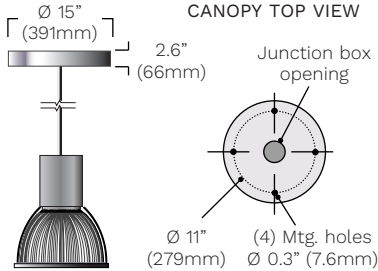
**OPTION DETAILS**



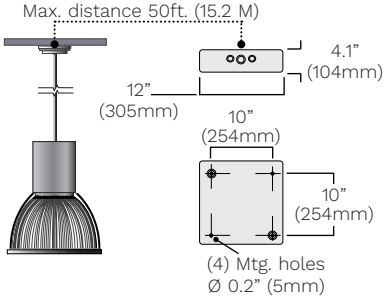
**STM**  
 Heavy duty 45° hang straight swivel, with  $\varnothing$  5" (127mm) canopy and universal mounting plate.  $\varnothing$  7/8" (22mm) X 36" lg. (914mm) suspension stem with aircraft safety cable.  
 NOTE: If DMX/RDM is selected, maximum length is 36" (914mm).



**TA**  
 3/4" NPT Suspension conduit adaptor (conduit by others). Supplied with 3 X 18 ga. X 36" lg. wiring. (Longer wires to be specified.)




**EMC7**  
 7W Canopy mount integral 120/277V emergency battery pack.



**REM7**  
 7W Remote mount 120/277V emergency battery pack. Test switch provided within enclosure with 5" (127mm) leads.



**BC12**  
 Aluminum lower diffuser band, same color as luminaire.  
 PR1282 only



**RP**  
 Inner reflector specular aluminum. Exterior same color as luminaire.  
 PR1287 only