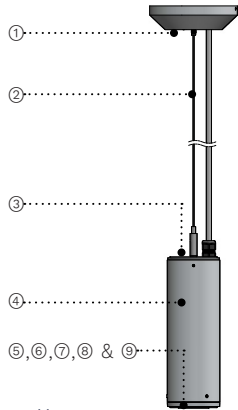


PROJECT NAME: _____ QUANTITY: _____ TYPE: _____

ORDERING CODE: _____



- ① Ø 5" (127mm) ceiling mount canopy.
- ② Field adjustable suspension stem or silver braided power cable with aircraft safety cable. Also, offered with a catenary suspension attachment.
- ③ Cast aluminum top cover.
- ④ Extruded aluminum cylindrical driver housing.
- ⑤ Sealed cast aluminum down light assembly.
- ⑥ Sealed cast aluminum lens frame.
- ⑦ Clear tempered glass lens.
- ⑧ Faceted specular aluminum reflector.
- ⑨ All stainless steel hardware.



SY305

MATERIALS

Syrios is made of corrosion resistant 356 aluminum alloy with a copper (CU) content of less than 0.1%. The main housing is made of seamless extruded aluminum, with an integrally sealed LED light module designed for optimal heat dissipation, and lighting performance.

ELECTRICAL DRIVER

Driver is 0-10V dimming-ready (dims to 10%) with: 120-277 multi-volt compatibility (50-60Hz), operating temperature range of -30°C/-22°F to 55°C/131°F, output over voltage protection, output over current protection and output short circuit protection with auto-recovery.

LED LIGHT ENGINE

Offered in 2700K/3000K/3500K/4000K CCT with 80 CRI. 70% LED lumen maintenance at 60,000 hours (L70/B50) based on IESNA LM-80-08 LED extrapolated life, calculated per IESNA TM-21-21. Optional true amber LED for turtle sensitive areas. Wavelengths: 585nm to 597nm.

FINISH

Five-stage preparation process including preheating of cast aluminum parts for air extraction, and an environmentally friendly alloy sealant. Polyester powder coating is applied through an electrostatic process and oven cured for long term finish.

CERTIFICATION

UL Certified to Canadian and U.S. safety standards. Certified for use in wet locations with CAT3 mounting only. Certified for use in damp locations. Rated IP52. Photometric testing performed by an independent laboratory in accordance with IES LM-79-08 standards at 25°C. Actual performance may differ as a result of end-user environment and application.

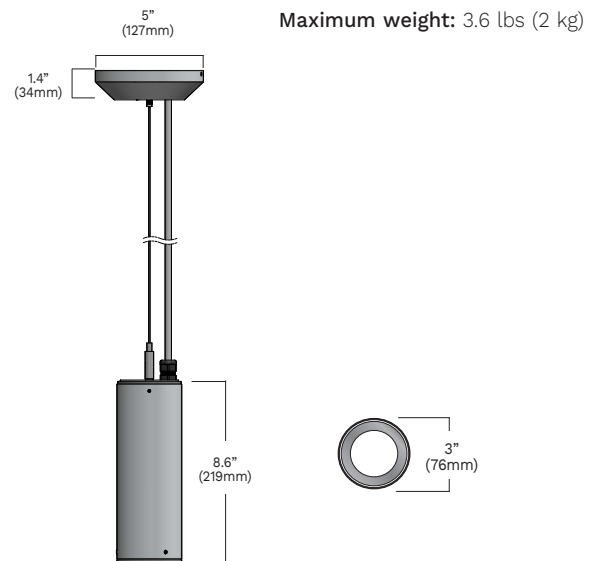
WARRANTY

5-year limited warranty. This is the only warranty provided and no other statements in this specification sheet create any warranty of any kind. All other express and implied warranties are disclaimed. Complete warranty terms located at: <https://www.acuitybrands.com/support/warranty/terms-and-conditions>

MOUNTING

The mounting plate is designed to fit on a 4" (102mm) octagonal electrical box using 3.5" (89mm) C/C mounting holes. For STM, fixture must be installed on a finished ceiling for exterior applications and/or when exposed to inclement weather. For CAT3: see option details.

MEASUREMENTS




LUMINIS.COM

Toll free: (866) 586-4647 | Fax: (514) 683-8872 | Email: info@luminis.com
 260 Labrosse, Pointe-Claire (QC) Canada H9R 5L5

SY305
 Rev. 12/16/24

ORDERING CODE

*SERIES	*LIGHT OUTPUT	*DISTRIBUTION	*CCT ⁴	*VOLTAGE	*MOUNTING
SY305 	<u>Static White</u> L1L10 924 lm / 13w <u>True Amber</u> L1LK2A 124 lm / 7w ¹ Delivered lumens calculated at 4000K/80CRI except for amber. Flood optic distribution. Typical power consumption. Refer to LCF table for outputs at other CCTs.	FLD Flood optic 29° WD Wide optic 42°	27K 2700K 30K 3000K 35K 3500K 40K 4000K AMB 585nm to 597nm	120 120V 277 277V MVOLT 120V-277V	SPG Silver braided power cord with aircraft cable ⁵ STM Field-cutttable hang straight stem CAT3 Catenary suspension attachment ⁶
	<u>Very Narrow Distribution</u> L1L5NR 539 lm / 10w ² Delivered lumens calculated at 4000K/80CRI. Very narrow optic distribution. Typical power consumption. Refer to LCF table for outputs at other CCTs.	VNR Very narrow optic 9° ³			

SUSPENSION LENGTH	CONTROLS	LENS/DIFFUSER	FUSE	EMERGENCY
12IN 12" 24IN 24" 36IN 36" 48IN 48" 60IN 60" Available up to 240" in 12" increments. Required field for SPG, STM.	NLTAIR2 nLight AIR 2.0 control embedded in canopy with black antenna ⁷	LSL Linear spread lens SL Solite lens ⁸	FS Fuse	REM7 Remote emergency battery, 90 min, 7W ⁹

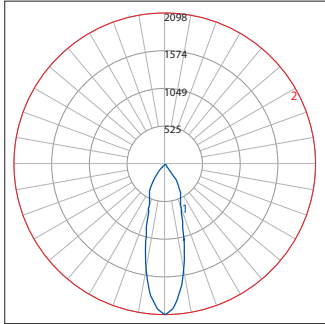
SHIELDING ACCESSORIES	LOUVERS	*FINISH	WOOD FINISH ¹³	ENVIRONMENT
SNT Snoot ¹⁰	HL Hexcell louver	BKT Jet black BZT Bronze CHT Champagne DGT Gun metal GRT Titanium gray MST Matte silver SGT Steel gray WHT Snow white CMC Custom matched color ¹¹ RAL RAL color ¹²	ADG American douglas BRC Birch CHN Chestnut CRY Cherry KNP Knotty pine MPL Maple OFL Oak RSW Rosewood TEK Teak WLN Walnut	MG Marine grade paint ¹⁴ NT Natatorium suitable ¹⁵

NOTES

- *- Denotes a required field
- 1- Available only with AMB option.
- 2- Available only with VNR distribution option. Not available with 27K, 35K or AMB.
- 3- Field angle 21°.
- 4- For IDA certification compliance, luminaire must be ordered with 3000K or warmer.
- 5- Not suitable for outdoor locations.
- 6- Not available with NLTAIR2 or REM7.
- 7- Available only with 120V or 277V. Installed in Ø11" canopy with SPG. Refer to the mounting image for more details. Not available with REM7, VNR, NT or AMB.
- 8- Lumen conversion factor (LCF) 0.9.
- 9- Remote mount 50ft - 12" square enclosure with access cover. The remote enclosure must be interior. Cable between fixture and remote box is provided by others.
- 10- To prevent reflections, interior painted black when a light color finish is selected (ex. WHT, MST, GRT and CHT). 1.5" (38mm) snoot.
- 11- Contact factory to coordinate custom matching color.
- 12- Specify RAL number.
- 13- Faux wood finish not applied to canopy, lens frame, accessories or stem (if selected). Additional delay required. Not compatible with marine grade paint.
- 14- Marine grade paint for harsh, coastal environment and exposure to salt water. Additional delay required please contact factory for info.
- 15- Available only in WHT and BKT finish.

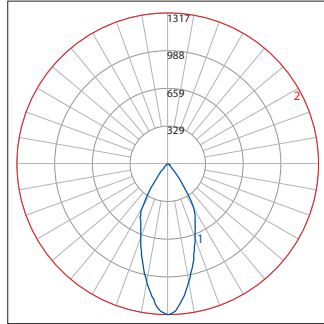
TYPICAL PHOTOMETRY SUMMARY

SY305-L1L10-FLD



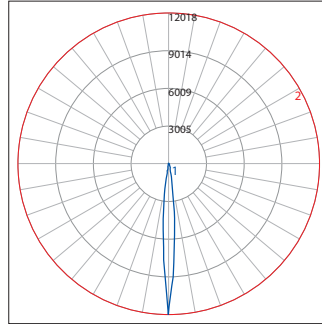
Total Lms: 924 Lumens
Total Input Watts: 13 W
Efficacy: 74 Lumens/Watt
BUG: B1-U0-G0
CCT/CRI: 4000K/80
Maximum Candela: 2098 @ 0°

SY305-L1L10-WD



Total Lms: 846 Lumens
Total Input Watts: 13 W
Efficacy: 68 Lumens/Watt
BUG: B1-U0-G0
CCT/CRI: 4000K/80
Maximum Candela: 1317 @ 0°

SY305-L1L5NR-VNR



Total Lms: 539 Lumens
Total Input Watts: 10 W
Efficacy: 53 Lumens/Watt
BUG: B1-U0-G0
CCT/CRI: 4000K/80
Maximum Candela: 12018 @ 0°

LUMEN CONVERSION FACTOR (LCF)		
CCT	CRI	LCF
2700K	80	0.91
3000K	80	0.94
3500K	80	0.98
4000K	80	1.00

All Photometry shown use the 80CRI 4000K LEDs.
 Please visit our web site www.luminis.com for complete I.E.S. file.

LUMINIS.COM

Toll free: (866) 586-4647 | Fax: (514) 683-8872 | Email: info@luminis.com
 260 Labrosse, Pointe-Claire (QC) Canada H9R 5L5

OPTION DETAILS

