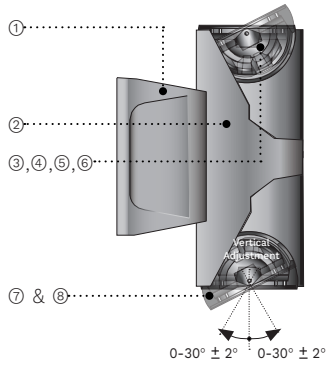


PROJECT NAME: _____ QUANTITY: _____ TYPE: _____

ORDERING CODE: _____



- ① Cast aluminum driver housing. Includes galvanized steel wall mount pressure plate.
- ② Seamless extruded aluminum cylindrical housing.
- ③ Fully sealed cast aluminum up/down light assembly.
- ④ Sealed cast aluminum lens frame.
- ⑤ Clear tempered glass lens.
- ⑥ Faceted specular aluminum reflector.
- ⑦ Light module with $\pm 30^\circ$ tilting mechanism allowing forward and back light adjustability. Optional fully adjustable 360° rotation. Regressed light module available as an option.
- ⑧ All stainless steel hardware.



SY602

MATERIALS

Syrios is made of corrosion resistant 356 aluminum alloy with a copper (CU) content of less than 0.1%. The main housing is made of seamless extruded aluminum, with an integrally sealed LED light module designed for optimal heat dissipation, and lighting performance. Syrios is standard with a unique proprietary design allowing the sealed LED module to tilt within the cylindrical housing.

ELECTRICAL DRIVER

Driver is 0-10V dimming-ready (dims to 10%) with: 120-277 multi-volt compatibility (50-60Hz), operating temperature range of $-40^\circ\text{C}/-40^\circ\text{F}$ to $55^\circ\text{C}/131^\circ\text{F}$, output over voltage protection, output over current protection and output short circuit protection with auto-recovery.

LED LIGHT ENGINE

Offered in 2700K/3000K/3500K/4000K CCT with 80 CRI. 70% LED lumen maintenance at 60,000 hours (L70/B50) based on IESNA LM-80-08 LED extrapolated life, calculated per IESNA TM-21-21. Optional true amber LED for turtle sensitive areas. Wavelengths: 585nm to 597nm.

FINISH

Five-stage preparation process including preheating of cast aluminum parts for air extraction, and an environmentally friendly alloy sealant. Polyester powder coating is applied through an electrostatic process and oven cured for long term finish.

CERTIFICATION

UL Certified to Canadian and U.S. safety standards. Certified for use in wet locations. Rated IP65. Photometric testing performed by an independent laboratory in accordance with IES LM-79-08 standards at 25°C . Actual performance may differ as a result of end-user environment and application.

WARRANTY

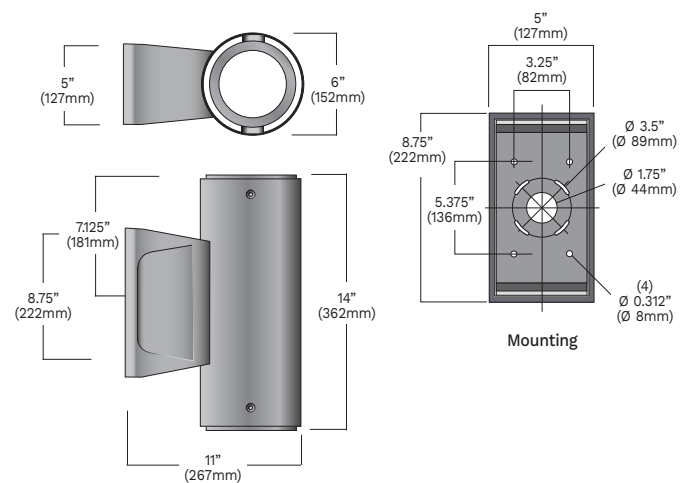
5-year limited warranty. This is the only warranty provided and no other statements in this specification sheet create any warranty of any kind. All other express and implied warranties are disclaimed. Complete warranty terms located at: <https://www.acuitybrands.com/support/warranty/terms-and-conditions>

MOUNTING

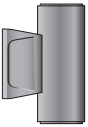
The mounting plate is designed to fit on a 4" (102mm) octagonal electrical box using 3.5" (89mm) C/C mounting holes. Additional mounting holes are provided as per site requirements.

MEASUREMENTS

Maximum weight: 11.7 lbs (5.3 kg)



ORDERING CODE

*SERIES	*LIGHT OUTPUT	*UPLIGHT DISTRIBUTION	* DOWNLIGHT DISTRIBUTION	*CCT	*VOLTAGE
SY602 	<u>Static White</u> L2L15 3198 lm / 31w L2L25 5087 lm / 51w L2L40 7630 lm / 86w <u>True Amber</u> L2LK2A 529 lm / 21w ¹ Delivered lumens calculated at 4000K/80CRI except for amber. Flood optic distribution. Typical power consumption. Refer to LCF table for outputs at other CCTs.	NRU Narrow optic 15° uplight FLDU Flood optic 30° uplight VWDU Very wide optic 52° uplight	NRD Narrow optic 15° downlight FLDD Flood optic 30° downlight VWDD Very wide optic 52° downlight	27K 2700K 30K 3000K 35K 3500K 40K 4000K AMB 585nm to 597nm	120 120V 277 277V 347 347V 480 480V HVOLT 347V-480V MVOLT 120V-277V
	<u>Very Narrow Distribution</u> L2L15NR 3144 lm / 56w ² Delivered lumens calculated at 4000K/80CRI. Very narrow optic distribution. Typical power consumption. Refer to LCF table for outputs at other CCTs.	VNRU Very narrow optic 9° uplight ³	VNRD Very narrow optic 9° downlight ³		

CONDUIT COVER	UPLIGHT LENS	DOWNLIGHT LENS	FUSE	PHOTOCELL	EMERGENCY
SWK Decorative cover for 3/4" conduit junction box	LSLU Linear spread lens uplight SLU Solite lens uplight ⁴	LSLD Linear spread lens downlight SLD Solite lens downlight ⁴	FS Fuse	PH Photocell ⁵	REM7 Remote emergency battery, 90 min, 7W ⁶

LOUVERS	ADJUSTABILITY	REGRESSED
HLD Hexcell louver - downlight HLU Hexcell louver - uplight HLUD Hexcell louver - uplight & downlight	A360D 360° adjustable rotation - downlight A360U 360° adjustable rotation - uplight A360UD 360° adjustable rotation - uplight & downlight	RGD Regressed light module - downlight ⁷ RGU Regressed light module - uplight ⁷ RGUD Regressed light module - uplight & downlight ⁷

*FINISH	WOOD FINISH ¹⁰	ENVIRONMENT
BKT Jet black BZT Bronze CHT Champagne DGT Gun metal GRT Titanium gray MST Matte silver SGT Steel gray WHT Snow white CMC Custom matched color ⁸ RAL RAL color ⁹	ADG American douglas BRC Birch CHN Chestnut CRY Cherry KNP Knotty pine MPL Maple OFL Oak RSW Rosewood TEK Teak WLN Walnut	MG Marine grade paint ¹¹ NT Natatorium suitable ¹²

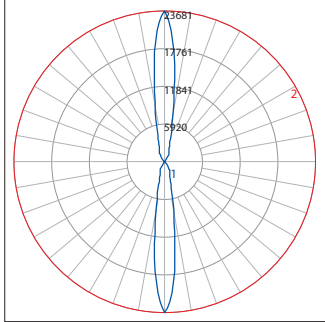
NOTES AT BOTTOM OF NEXT PAGE

LUMINIS.COM

Toll free: (866) 586-4647 | Fax: (514) 683-8872 | Email: info@luminis.com
 260 Labrosse, Pointe-Claire (QC) Canada H9R 5L5

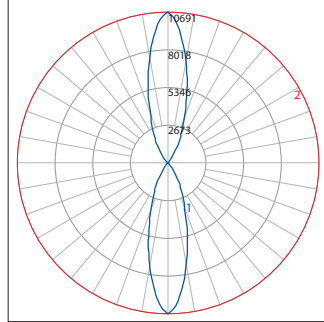
TYPICAL PHOTOMETRY SUMMARY

SY602-L2L40-NRU-NRD



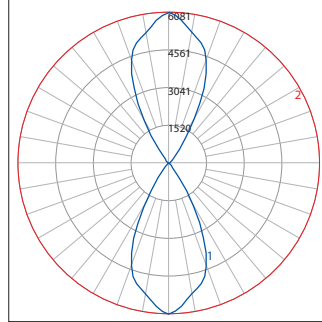
Total Lms: 7435 Lumens
Total Input Watts: 86 W
Efficacy: 87 Lumens/Watt
BUG: B3-U5-G0
CCT/CRI: 4000K/80
Maximum Candela: 23681 @ 0°

SY602-L2L40-FLDU-FLDD



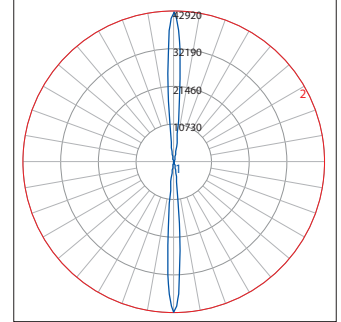
Total Lms: 7630 Lumens
Total Input Watts: 86 W
Efficacy: 89 Lumens/Watt
BUG: B3-U5-G0
CCT/CRI: 4000K/80
Maximum Candela: 10691 @ 0°

SY602-L2L40-VWDDU-VWDD



Total Lms: 8127 Lumens
Total Input Watts: 86 W
Efficacy: 95 Lumens/Watt
BUG: B3-U5-G0
CCT/CRI: 4000K/80
Maximum Candela: 6081 @ 0°

SY602-L2L15NR-VNRU-VNRD



Total Lms: 3144 Lumens
Total Input Watts: 56 W
Efficacy: 57 Lumens/Watt
BUG: B2-U5-G0
CCT/CRI: 4000K/80
Maximum Candela: 42920 @ 0°

LUMEN CONVERSION FACTOR (LCF)		
CCT	CRI	LCF
2700K	80	0.91
3000K	80	0.94
3500K	80	0.98
4000K	80	1.00

All Photometry shown use the 80CRI 4000K LEDs.
 Please visit our web site www.luminis.com for complete I.E.S. file.

NOTES

- *- Denotes a required field
- 1- Available only with AMB option.
- 2- Available only with VNR distribution option. Not available with 27K, 35K or AMB.
- 3- Field angle 18°.
- 4- Lumen conversion factor (LCF) 0.9.
- 5- Not available with REM7.
- 6- Remote mount 50ft - 12" square enclosure with access cover. The remote enclosure must be interior. Battery powers one downlight module unless otherwise specified. Cable between fixture and remote box is provided by others.
- 7- Cylindrical housing extended by 1.1" (27.9mm) per light module for increased cut-off.
- 8- Contact factory to coordinate custom matching color.
- 9- Specify RAL number.
- 10- Faux wood finish not applied to driver housing, lens frame or accessories. Additional delay required. Not compatible with marine grade paint.
- 11- Marine grade paint for harsh, coastal environment and exposure to salt water. Additional delay required please contact factory for info.
- 12- Available only in WHT and BKT finish.

LUMINIS.COM

Toll free: (866) 586-4647 | Fax: (514) 683-8872 | Email: info@luminis.com
 260 Labrosse, Pointe-Claire (QC) Canada H9R 5L5

SY602
 Rev. 11/25/24