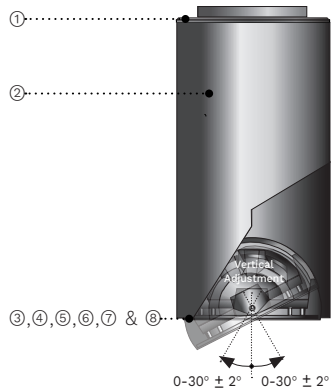


PROJECT NAME: _____ QUANTITY: _____ TYPE: _____

ORDERING CODE: _____



- ① Cast aluminum ventilated top cover with ceiling mounting plate.
- ② Seamless extruded aluminum cylindrical housing.
- ③ Fully sealed cast aluminum down light assembly.
- ④ Sealed cast aluminum lens frame.
- ⑤ Clear tempered glass lens.
- ⑥ Faceted specular aluminum reflector.
- ⑦ Light module with $\pm 30^\circ$ tilting mechanism allowing forward and back light adjustability. Optional fully adjustable 360° rotation. Regressed light module available as an option.
- ⑧ All stainless steel hardware.



SY810



MATERIALS

Syrios is made of corrosion resistant 356 aluminum alloy with a copper (CU) content of less than 0.1%. The main housing is made of seamless extruded aluminum, with an integrally sealed LED light module designed for optimal heat dissipation, and lighting performance. Syrios is standard with a unique proprietary design allowing the sealed LED module to tilt within the cylindrical housing. The top cast aluminum cover includes ventilation slots allowing air circulation and cooling of assembly.

ELECTRICAL DRIVER

Driver is 0-10V dimming-ready (dims to 10%) with: 120-277 multi-volt compatibility (50-60Hz), operating temperature range of $-40^\circ\text{C}/-40^\circ\text{F}$ to $55^\circ\text{C}/131^\circ\text{F}$, output over voltage protection, output over current protection and output short circuit protection with auto-recovery.

LED LIGHT ENGINE

Offered in 2700K/3000K/3500K/4000K CCT with 80 CRI. 70% LED lumen maintenance at 60,000 hours (L70/B50) based on IESNA LM-80-08 LED extrapolated life, calculated per IESNA TM-21-21. Optional true amber LED for turtle sensitive areas. Wavelengths: 585nm to 597nm.

FINISH

Five-stage preparation process including preheating of cast aluminum parts for air extraction, and an environmentally friendly alloy sealant. Polyester powder coating is applied through an electrostatic process and oven cured for long term finish.

CERTIFICATION

UL Certified to Canadian and U.S. safety standards. Certified for use in wet locations. Rated IP65. Photometric testing performed by an independent laboratory in accordance with IES LM-79-08 standards at 25°C . Actual performance may differ as a result of end-user environment and application.

WARRANTY

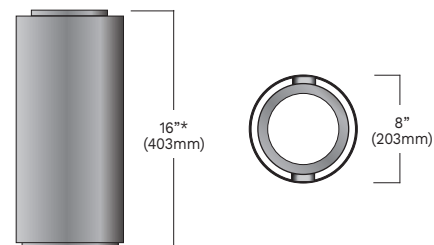
5-year limited warranty. This is the only warranty provided and no other statements in this specification sheet create any warranty of any kind. All other express and implied warranties are disclaimed. Complete warranty terms located at: <https://www.acuitybrands.com/support/warranty/terms-and-conditions>

MOUNTING

The mounting plate is designed to fit on a 4" (102mm) octagonal electrical box using 3.5" (89mm) C/C mounting holes. Fixture must be installed on a finished ceiling for exterior applications and/or exposed to inclement weather.

MEASUREMENTS

Maximum weight: 20.7 lbs (9.3 kg)




* For low wattage models (L1L15 thru L1L25) luminaire height is 8.25" (210mm)

LUMINIS.COM

Toll free: (866) 586-4647 | Fax: (514) 683-8872 | Email: info@luminis.com
260 Labrosse, Pointe-Claire (QC) Canada H9R 5L5

SY810
Rev. 11/25/24

ORDERING CODE

*SERIES	*LIGHT OUTPUT	*DISTRIBUTION	*CCT ⁵	*VOLTAGE	*FINISH
SY810 	<u>Static White</u> L1L20 2157 lm / 22w L1L35 3572 lm / 40w L1L50 5357 lm / 54w L1L75 7440 lm / 77w <u>True Amber</u> L1LK2A 440 lm / 11w ¹ Delivered lumens calculated at 4000K/80CRI except for amber. Flood optic distribution. Typical power consumption. Refer to LCF table for outputs at other CCTs.	NR Narrow optic 12° ³ FLD Flood optic 28° WD Wide optic 38° VWD Very wide optic 55°	27K 2700K 30K 3000K 35K 3500K 40K 4000K AMB 585nm to 597nm	120 120V 277 277V 347 347V ³ 480 480V ³ HVOLT 347V-480V ³ MVOLT 120V-277V	BKT Jet black BZT Bronze CHT Champagne DGT Gun metal GRT Titanium gray MST Matte silver SGT Steel gray WHT Snow white CMC Custom matched color ⁶ RAL RAL color ⁷
	<u>Very Narrow Distribution</u> L1L30NR 2954 lm / 50w ² Delivered lumens calculated at 4000K/80CRI. Very narrow optic distribution. Typical power consumption. Refer to LCF table for outputs at other CCTs.	VNR Very narrow optic 9° ⁴			

LENS/DIFFUSER	FUSE	EMERGENCY	LOUVERS	ADJUSTABILITY	REGRESSED
LSL Linear spread lens SL Solite lens ⁸	FS Fuse	REM7 Remote emergency battery, 90 min, 7W ⁹	HL Hexcell louver	A360 360° adjustable rotation	RG Regressed light module ¹⁰

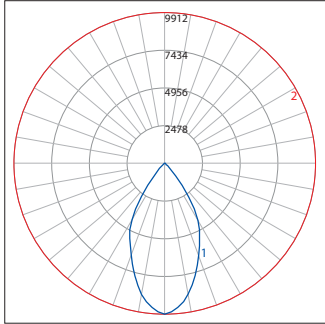
WOOD FINISH ¹¹	ENVIRONMENT
ADG American douglas BRC Birch CHN Chestnut CRY Cherry KNP Knotty pine MPL Maple OFL Oak RSW Rosewood TEK Teak WLN Walnut	MG Marine grade paint ¹² NT Natatorium suitable ¹³

NOTES

- *- Denotes a required field
- 1- Available only with AMB option.
- 2- Available only with VNR distribution option. Not available with 27K, 35K or AMB.
- 3- Not available with L1L75.
- 4- Field angle 21°.
- 5- For IDA certification compliance, luminaire must be ordered with 3000K or warmer.
- 6- Contact factory to coordinate custom matching color.
- 7- Specify RAL number.
- 8- Lumen conversion factor (LCF) 0.9.
- 9- Remote mount 50ft - 12" square enclosure with access cover. The remote enclosure must be interior. Cable between fixture and remote box is provided by others.
- 10- Cylindrical housing extended by 1" (25.4mm) per light module for increased cut-off.
- 11- Faux wood finish not applied to driver housing, lens frame or accessories. Additional delay required. Not compatible with marine grade paint.
- 12- Marine grade paint for harsh, coastal environment and exposure to salt water. Additional delay required please contact factory for info.
- 13- Available only in WHT and BKT finish.

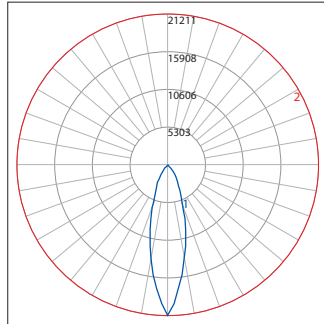
TYPICAL PHOTOMETRY SUMMARY

SY810-L1L50-NR



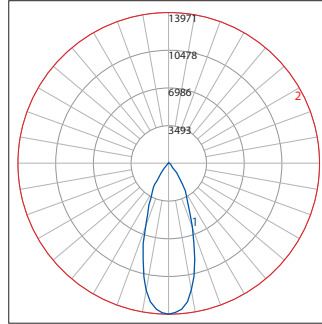
Total Lms: 4528 Lumens
Total Input Watts: 55 W
Efficacy: 82 Lumens/Watt
BUG: B3-U0-G0
CCT/CRI: 4000K/80
Maximum Candela: 48778 @ 0°

SY810-L1L75-FLD



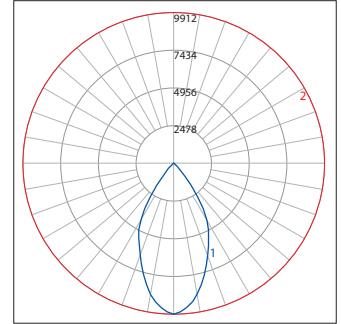
Total Lms: 7440 Lumens
Total Input Watts: 77 W
Efficacy: 97 Lumens/Watt
BUG: B4-U0-G0
CCT/CRI: 4000K/80
Maximum Candela: 212111 @ 0°

SY810-L1L75-WD



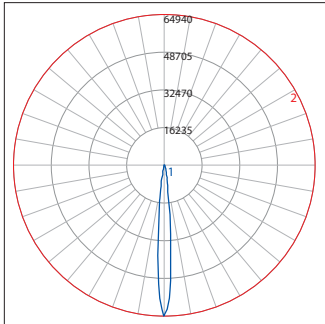
Total Lms: 7067 Lumens
Total Input Watts: 77 W
Efficacy: 92 Lumens/Watt
BUG: B4-U0-G0
CCT/CRI: 4000K/80
Maximum Candela: 13971 @ 0°

SY810-L1L75-VWD



Total Lms: 7528 Lumens
Total Input Watts: 77 W
Efficacy: 98 Lumens/Watt
BUG: B4-U0-G0
CCT/CRI: 4000K/80
Maximum Candela: 9912 @ 0°

SY810-L1L30NR-VNR



Total Lms: 2954 Lumens
Total Input Watts: 50 W
Efficacy: 59 Lumens/Watt
BUG: B3-U0-G0
CCT/CR: 4000K/80
Maximum Candela: 64940 @ 0°

LUMEN CONVERSION FACTOR (LCF)		
CCT	CRI	LCF
2700K	80	0.91
3000K	80	0.94
3500K	80	0.98
4000K	80	1.00

All Photometry shown use the 80CRI 4000K LEDs.
 Please visit our web site www.luminis.com for complete I.E.S. file.

LUMINIS.COM

Toll free: (866) 586-4647 | Fax: (514) 683-8872 | Email: info@luminis.com
 260 Labrosse, Pointe-Claire (QC) Canada H9R 5L5