

**JUNO****TRAC-LITES™  
10W LED  
R600L G2**

Project: \_\_\_\_\_

Fixture Type: \_\_\_\_\_

Location: \_\_\_\_\_

Contact/Phone: \_\_\_\_\_

**PRODUCT DESCRIPTION**

The R600L G2 Series 10W LED is an economical and affordable track fixture, with a simple and timeless aesthetic. It approximates the light output and distribution of 50W MR16 halogen lamps, utilizing about 20% of the energy and having a rated life of 50,000 hours. Versions are available in 2700K, 3000K, 3500K and 4000K color temperatures with a minimum 80 CRI. Optional high CRI versions are available with a minimum 90 CRI or 97 CRI. The R600L G2 Series LED is available in spot, narrow flood and flood beam distributions which can be achieved with interchangeable precision-molded custom optics. It is compatible with Juno Trac-Lites and Trac-Master track and system components.

**PRODUCT SPECIFICATIONS**

**Construction** Die cast aluminum heat sink provides outstanding thermal management of LED, yielding 70% average lumen maintenance at 50,000 hours of operation • Simple, timeless design complements any decor • Available in white, black, bronze and silver finishes.

**LED** High performance LED array provides outstanding reliability, performance and color quality/consistency • 2700K, 3000K, 3500K or 4000K white phosphor high performance LEDs • Chromaticity range within a 3-step MacAdam Ellipse • Exceptional 80 CRI minimum on standard product • Optional high CRI versions offer 90 CRI or 97 CRI minimum.

**Driver** Integrated into fixture housing behind LED light engine to minimize overall fixture footprint • Insulating air gap between driver and LED light engine, plus thermal potting compound, optimizes thermal operation • Provides quiet operation with or without dimming • Dimmable using high quality, factory-approved dimmers - see [R600LG2-DIM](#) • Solid state electronic, Class 2 compliant • Integral overcurrent and short circuit protection • Designed for greater than 50,000 hour operating life • FCC Certified to Part 15 Class B EMI standards.

**Optics** Proprietary, interchangeable thermoplastic optics available in three factory-configured beam spreads • Indicate specific beam spread desired or specify universal version which includes both narrow flood and flood lenses • Accessory optics also available to enable simple beam changes in the field.

**Lensholder** Bayonet mount lensholder facilitates optics changes in the field.

**Juno Universal Track Adapter** Universally compatible with both Trac-Master 1-circuit or 2-circuit track, Trac-Lites track, monopoints and special mountings • Also UL Recognized for use on ConTech® LT Series track • Copper alloy contacts provide precise spring action – no arcing and will not take a set • True, positive electrical ground • On /off switch included • Patented embossed polarity arrows on bottom of adapter • Spring-loaded positive latch with embossed polarity arrows secures track light to track • Two-position power contact provided for two-circuit application.

**Alternate GTYPE Track Adapter** Compatible with track systems based on GES type track, including Lithonia LT Commercial Track (not LTS type) • System specific and assembled to track fixture • Available in black, silver, and white finish only • Consult factory for additional information.

**Alternate HTYPE Track Adapter** Compatible with track systems which use a H-type track adapter, including Lithonia LTS Decorative Track (not LT type) • System specific and assembled to track fixture • Two-position power contact provided for two-circuit application • Available in black, silver, and white finish only • Consult factory for additional information.

**Alternate LTYPE Track Adapter** Compatible with track systems which use a L-type track adapter • System specific and assembled to track fixture • Two-position power contact provided for two-circuit application • Available in black and white finish only • Consult factory for additional information.

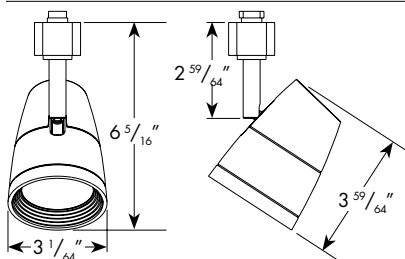
**Aiming** 350° horizontal coverage • 90° vertical aiming capability.

**Labels** UL and C-UL Listed • DLC Qualified where noted on Performance Data chart • 90CRI and 97CRI versions can be used to comply with California Title 24, Part 6 high efficacy LED light source requirements • Union made • Assembled in U.S.A.

**Buy American Act** This product is assembled in the USA and meets the Buy America(n) government procurement requirements under FAR, DFARS and DOT regulations. Please refer to [www.acuitybrands.com/buy-american](http://www.acuitybrands.com/buy-american) for additional information.

**Warranty** 5-year limited warranty. This is the only warranty provided and no other statements in this specification sheet create any warranty of any kind. All other express and implied warranties are disclaimed. Complete warranty terms located at: [www.acuitybrands.com/support/warranty/terms-and-conditions](http://www.acuitybrands.com/support/warranty/terms-and-conditions).

**Note:** Actual performance may differ as a result of end-user environment and application. All values are design or typical values, measured under laboratory conditions at 25 °C. Specifications subject to change without notice.

**DIMENSIONS**

ConTech is a registered trademark of ConTech Lighting.

# TRAC-LITES™

## 10W LED

### R600L G2

#### ORDERING INFORMATION

Ordering Example: R600L G2 27K 97CRI PDIM NFL BL

Series	Mounting Adapter Type	Generation	Color Temperature	Color Rendering Index	Dimming Compatibility
<b>R600L</b> Trac-Lites™ Economy Cone LED	<b>(Blank)</b> Universal 120V Track Adapter <b>GTYPE<sup>1</sup></b> G-Type Track Adapter <b>HTYPE<sup>1</sup></b> H-Type Track Adapter <b>LTYPE<sup>2</sup></b> L-Type Track Adapter See page 5 for Direct Canopy Mount Option (CPY) specifications.	<b>G2</b> Generation 2	<b>27K</b> 2700K <b>30K<sup>3</sup></b> 3000K <b>35K<sup>3</sup></b> 3500K <b>40K</b> 4000K	<b>80CRI</b> 80 CRI <b>90CRI</b> 90 CRI <b>97CRI</b> 97 CRI	<b>PDIM</b> Phase Dimmable

Distribution	Finish
<b>SP</b> Spot	<b>BL</b> Black
<b>NFL</b> Narrow Flood	<b>BZ</b> Bronze
<b>FL</b> Flood	<b>SL</b> Silver
<b>UNF</b> Universal - Narrow Flood, Flood	<b>WH</b> White

ACCESSORIES (Order Separately)			
<b>TIR4 SPT BLCK</b>	TIR Optic - Spot - Black	<b>TLENS4 NFLD</b>	Lens - Narrow Flood
<b>TIR4 SPT WHT</b>	TIR Optic - Spot - White	<b>TLENS4 FLD</b>	Lens - Flood

Other accessories can be found on specification sheet [D1.2.0](#).

Notes:

- 1 GTYPE and HTYPE adapters available in BL, SL, and WH finish only.
- 2 LTYPE adapter available in BL and WH finish only.
- 3 30K and 35K not available with 97CRI.

# TRAC-LITES™

## 10W LED

### R600L G2

#### PERFORMANCE DATA<sup>1</sup>

Catalog Number	Input Voltage	Watts (Typical)	Lumens	Efficacy (LPW)	Rated Life (Hours)	DLC Qualified
R600L G2 27K 80CRI SP	120V	9.5	926	98	50,000	X
R600L G2 27K 80CRI NFL	120V	9.5	751	79	50,000	X
R600L G2 27K 80CRI FL	120V	9.5	844	89	50,000	X
R600L G2 27K 90CRI SP	120V	9.5	763	80	50,000	X
R600L G2 27K 90CRI NFL	120V	9.5	618	65	50,000	
R600L G2 27K 90CRI FL	120V	9.5	695	73	50,000	
R600L G2 27K 97CRI SP	120V	9.5	695	73	50,000	
R600L G2 27K 97CRI NFL	120V	9.5	563	59	50,000	
R600L G2 27K 97CRI FL	120V	9.5	633	67	50,000	
R600L G2 30K 80CRI SP	120V	9.5	965	102	50,000	X
R600L G2 30K 80CRI NFL	120V	9.5	782	82	50,000	X
R600L G2 30K 80CRI FL	120V	9.5	879	93	50,000	X
R600L G2 30K 90CRI SP	120V	9.5	796	84	50,000	X
R600L G2 30K 90CRI NFL	120V	9.5	645	68	50,000	
R600L G2 30K 90CRI FL	120V	9.5	725	76	50,000	
R600L G2 30K 97CRI SP	120V	9.5	724	76	50,000	
R600L G2 30K 97CRI NFL	120V	9.5	587	62	50,000	
R600L G2 30K 97CRI FL	120V	9.5	659	69	50,000	
R600L G2 35K 80CRI SP	120V	9.5	984	104	50,000	X
R600L G2 35K 80CRI NFL	120V	9.5	798	84	50,000	X
R600L G2 35K 80CRI FL	120V	9.5	897	94	50,000	X
R600L G2 35K 90CRI SP	120V	9.5	813	86	50,000	X
R600L G2 35K 90CRI NFL	120V	9.5	658	69	50,000	
R600L G2 35K 90CRI FL	120V	9.5	740	78	50,000	
R600L G2 40K 80CRI SP	120V	9.5	997	105	50,000	X
R600L G2 40K 80CRI NFL	120V	9.5	808	85	50,000	X
R600L G2 40K 80CRI FL	120V	9.5	908	96	50,000	X
R600L G2 40K 90CRI SP	120V	9.5	820	86	50,000	X
R600L G2 40K 90CRI NFL	120V	9.5	665	70	50,000	
R600L G2 40K 90CRI FL	120V	9.5	747	79	50,000	
R600L G2 40K 97CRI SP	120V	9.5	753	79	50,000	X
R600L G2 40K 97CRI NFL	120V	9.5	610	64	50,000	
R600L G2 40K 97CRI FL	120V	9.5	686	72	50,000	

Note:

<sup>1</sup> Performance data, including Rated Life, is based on measurements of an individual fixture operating at 120V in a 25°C ambient.

#### ELECTRICAL DATA

Input Voltage	120V
Input Current (max.)	0.09A
Power Factor	>0.95
T.H.D.	<20%

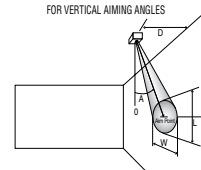
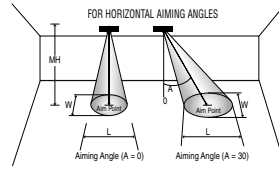
# TRAC-LITES™

## 10W LED

### R600L G2

**CBCP** • Centerbeam candlepower  
**FC** • Footcandles at beam center (aim point)

In vertical aiming applications, aim point (X) is determined by dividing distance from the wall (D) by the tangent of the desired aim angle (A) [0.5774 for 30°, 1.0 for 45°, 1.732 for 60°].



Fixture	Beam Type	Beam Spread	Rated Life	CBCP	Horizontal Aiming Angles									Vertical Aiming Angles														
					0°			30°			30°			45°				60°										
					MH	FC	L W	FC	L W	D	FC	X	L W	FC	X	L W	D	FC	X	L W								
<b>R600L G2</b> <b>10W LED,</b> <b>3000K, 80CRI</b> <b>Wide Spot</b>	SP	18°	50000	5081	5	203	1.6	1.6	132	2.2	1.9	2.0	159	3.5	2.8	1.3	449	2.0	1.3	0.9	4	206	2.3	1.7	1.5			
					6	141	1.9	1.9	92	2.6	2.2	2.5	102	4.3	3.5	1.6	287	2.5	1.7	1.1	5	132	2.9	2.2	1.9			
					7	104	2.3	2.3	67	3.0	2.6	3.0	71	5.2	4.2	1.9	200	3.0	2.0	1.4	6	92	3.5	2.6	2.2			
					8	79	2.6	2.6	52	3.5	3.0	3.5	52	6.1	4.9	2.3	147	3.5	2.3	1.6	7	67	4.0	3.0	2.6			
					9	63	2.9	2.9	41	3.9	3.3	4.0	40	6.9	5.6	2.6	112	4.0	2.6	1.8	8	52	4.6	3.5	3.0			
<b>R600L G2</b> <b>10W LED,</b> <b>3000K, 80CRI</b> <b>Narrow Flood</b>	NFL	24°	50000	1921	3	213	1.3	1.3	139	1.7	1.5	2.0	60	3.5	4.0	1.7	170	2.0	1.8	1.2	2	312	1.2	1.2	1.0			
					4	120	1.7	1.7	78	2.3	2.0	2.5	38	4.3	5.0	2.2	109	2.5	2.3	1.5	3	139	1.7	1.7	1.5			
					5	77	2.2	2.2	50	2.9	2.5	3.0	27	5.2	6.0	2.6	75	3.0	2.7	1.8	4	78	2.3	2.3	2.0			
					6	53	2.6	2.6	35	3.5	3.0	3.5	20	6.1	7.0	3.0	55	3.5	3.2	2.1	5	50	2.9	2.9	2.5			
					7	39	3.0	3.0	25	4.1	3.5	4.0	15	6.9	8.0	3.4	42	4.0	3.6	2.4	6	35	3.5	3.5	3.0			
<b>R600L G2</b> <b>10W LED,</b> <b>3000K, 80CRI</b> <b>Flood</b>	FL	43°	50000	1159	2	290	1.6	1.6	188	2.2	1.8	1.0	145	1.7	6.1	1.6	410	1.0	1.9	1.1	2	188	1.2	2.2	1.8			
					3	129	2.4	2.4	84	3.4	2.8	1.5	64	2.6	9.1	2.4	182	1.5	2.8	1.7	3	84	1.7	3.4	2.8			
					4	72	3.2	3.2	47	4.5	3.7	2.0	36	3.5	12.1	3.2	102	2.0	3.8	2.3	4	47	2.3	4.5	3.7			
					5	46	4.0	4.0	30	5.6	4.6	2.5	23	4.3	15.2	4.0	66	2.5	4.7	2.8	5	30	2.9	5.6	4.6			
					6	32	4.8	4.8	21	6.7	5.5	3.0	16	5.2	18.2	4.8	46	3.0	5.7	3.4	6	21	3.5	6.7	5.5			

CRI	CCT	Multiplier
80	27K	0.96
	30K	1.00
	35K	1.02
	40K	1.03
90	27K	0.79
	30K	0.82
	35K	0.84
	40K	0.85



# TRAC-LITES™

## 10W LED

### R600L G2

Project: \_\_\_\_\_

Fixture Type: \_\_\_\_\_

Location: \_\_\_\_\_

Contact/Phone: \_\_\_\_\_



## DIRECT CANOPY MOUNT

### PRODUCT DESCRIPTION

The R600L G2 Series 10W LED is an economical and affordable accent luminaire, with a simple and timeless aesthetic. It approximates the light output and distribution of 50W MR16 halogen lamps, utilizing about 20% of the energy and having a rated life of 50,000 hours. Versions are available in 2700K, 3000K, 3500K and 4000K color temperatures with a minimum 80 CRI. Optional high CRI versions are available with a minimum 90 CRI. The R600L G2 Series LED is available in spot, narrow flood and flood beam distributions which can be achieved with interchangeable precision-molded custom optics. The Canopy Mount version is designed to mount over a standard j-box and is available with a variety of performance options including 277V operation, 347V operation, phase-dimming, and 0-10V dimming.



### PRODUCT SPECIFICATIONS

**Construction** Die cast aluminum heat sink provides outstanding thermal management of LED, yielding 70% average lumen maintenance at 50,000 hours of operation • Simple, timeless design complements any decor • Available in white or black finishes.

**LED** High performance LED array provides outstanding reliability, performance and color quality/consistency • 2700K, 3000K, 3500K or 4000K white phosphor high performance LEDs • Chromaticity range within a 3-step MacAdam Ellipse • Exceptional 80 CRI minimum on standard product • Optional high CRI versions offer 90 CRI minimum.

**Electrical/Driver** Multi-volt (120-277V, 50/60Hz) phase-dimmable or 0-10V dimmable driver mounted in a deep canopy • Optional 347V 0-10V dimmable driver mounted in a deep canopy • 0-10V dimming requires two (2) additional low-voltage wires to be pulled.

**Dimming** MVOLT versions are phase-dimmable (120V only) down to 10% or less using high quality, factory-approved dimmers - see [R600LG2-DIM](#) • MVOLT versions are also 0-10V dimmable down to as low as 1% and require two (2) additional low-voltage wires to be pulled • 347V versions are 0-10V dimmable down to as low as 1% and require two (2) additional low-voltage wires to be pulled.

**Optics** Proprietary, interchangeable thermoplastic optics available in three factory-configured beam spreads • Indicate specific beam spread desired or specify universal version (UNF option) which includes both narrow flood and flood lenses • Accessory optics also available to enable simple beam changes in the field.

**Lensholder** Bayonet mount lensholder facilitates optics changes in the field.

**Mounting** Installs over a standard electrical j-box • Accent light is permanently, factory-assembled to the mounting canopy • Universal mounting plate accommodates octagon box and typical j-box mud rings • Mounting plate designed to be installed snug to mounting surface • May be ceiling or wall mounted in any orientation • Driver is assembled into mounting canopy – see Dimensions section for canopy type and dimensions based on option selected • Canopy is securely tethered to mounting plate to facilitate wiring terminations.

**Aiming** 330° horizontal coverage • 90° vertical aiming capability.

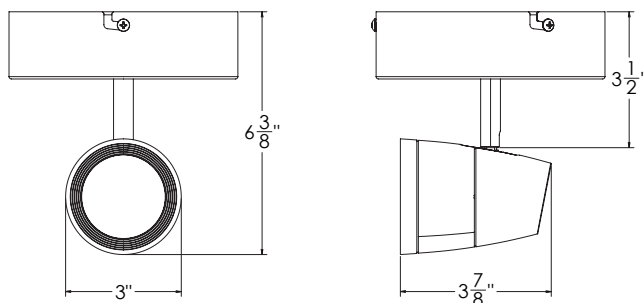
**Labels** UL and C-UL Damp Location Listed • Union made • Assembled in U.S.A.

**Buy American Act** This product is assembled in the USA and meets the Buy America(n) government procurement requirements under FAR, DFARS and DOT regulations. Please refer to [www.acuitybrands.com/buy-american](http://www.acuitybrands.com/buy-american) for additional information.

**Warranty** 5-year limited warranty. This is the only warranty provided and no other statements in this specification sheet create any warranty of any kind. All other express and implied warranties are disclaimed. Complete warranty terms located at: [www.acuitybrands.com/support/warranty/terms-and-conditions](http://www.acuitybrands.com/support/warranty/terms-and-conditions).

**Note:** Actual performance may differ as a result of end-user environment and application. All values are design or typical values, measured under laboratory conditions at 25 °C. Specifications subject to change without notice.

### DIMENSIONS



# TRAC-LITES™

## 10W LED

### R600L G2

#### DIRECT CANOPY MOUNT

### ORDERING INFORMATION

Ordering Example: R600L CPY G2 30K 80CRI MVOLT NFL BL

Series	Mounting Adapter Type	Generation	Color Temperature	Color Rendering Index	Input Voltage <sup>1</sup>
<b>R600L</b> Trac-Lites™ Economy Cone LED	<b>CPY</b> Canopy Mounting	<b>G2</b> Generation 2	<b>27K</b> 2700K <b>30K</b> 3000K <b>35K</b> 3500K <b>40K</b> 4000K	<b>80CRI</b> 80 CRI <b>90CRI</b> 90 CRI	<b>MVOLT</b> 120V/277V Operation <b>347</b> 347V Operation

Distribution	Finish
<b>SP</b> Spot	<b>BL</b> Black
<b>NFL</b> Narrow Flood	<b>WH</b> White
<b>FL</b> Flood	
<b>UNF</b> Universal - Narrow Flood, Flood	

ACCESSORIES (Order Separately)			
<b>TIR4 SPT BLCK</b>	TIR Optic - Spot - Black	<b>TLENS4 NFLD</b>	Lens - Narrow Flood
<b>TIR4 SPT WHT</b>	TIR Optic - Spot - White	<b>TLENS4 FLD</b>	Lens - Flood

Notes:

1 MVOLT option can be either phase-dimmed (120V) or 0-10V dimmed; 347V option is 0-10V dimming only.

# TRAC-LITES™

## 10W LED

### R600L G2

#### DIRECT CANOPY MOUNT

#### PERFORMANCE DATA<sup>1</sup>

Catalog Number	Input Voltage	Watts (Typical)	Lumens	Efficacy (LPW)	Rated Life (Hours)
R600L G2 27K 80CRI SP	120V	9.7	926	98	50,000
R600L G2 27K 80CRI NFL	120V	9.7	751	79	50,000
R600L G2 27K 80CRI FL	120V	9.7	844	89	50,000
R600L G2 27K 90CRI SP	120V	9.7	763	80	50,000
R600L G2 27K 90CRI NFL	120V	9.7	618	65	50,000
R600L G2 27K 90CRI FL	120V	9.7	695	73	50,000
R600L G2 27K 97CRI SP	120V	9.7	695	73	50,000
R600L G2 27K 97CRI NFL	120V	9.7	563	59	50,000
R600L G2 27K 97CRI FL	120V	9.7	633	67	50,000
R600L G2 30K 80CRI SP	120V	9.7	965	102	50,000
R600L G2 30K 80CRI NFL	120V	9.7	782	82	50,000
R600L G2 30K 80CRI FL	120V	9.7	879	93	50,000
R600L G2 30K 90CRI SP	120V	9.7	796	84	50,000
R600L G2 30K 90CRI NFL	120V	9.7	645	68	50,000
R600L G2 30K 90CRI FL	120V	9.7	725	76	50,000
R600L G2 30K 97CRI SP	120V	9.7	724	76	50,000
R600L G2 30K 97CRI NFL	120V	9.7	587	62	50,000
R600L G2 30K 97CRI FL	120V	9.7	659	69	50,000
R600L G2 35K 80CRI SP	120V	9.7	984	104	50,000
R600L G2 35K 80CRI NFL	120V	9.7	798	84	50,000
R600L G2 35K 80CRI FL	120V	9.7	897	94	50,000
R600L G2 35K 90CRI SP	120V	9.7	813	86	50,000
R600L G2 35K 90CRI NFL	120V	9.7	658	69	50,000
R600L G2 35K 90CRI FL	120V	9.7	740	78	50,000
R600L G2 40K 80CRI SP	120V	9.7	997	105	50,000
R600L G2 40K 80CRI NFL	120V	9.7	808	85	50,000
R600L G2 40K 80CRI FL	120V	9.7	908	96	50,000
R600L G2 40K 90CRI SP	120V	9.7	820	86	50,000
R600L G2 40K 90CRI NFL	120V	9.7	665	70	50,000
R600L G2 40K 90CRI FL	120V	9.7	747	79	50,000
R600L G2 40K 97CRI SP	120V	9.7	753	79	50,000
R600L G2 40K 97CRI NFL	120V	9.7	610	64	50,000
R600L G2 40K 97CRI FL	120V	9.7	686	72	50,000

Note:

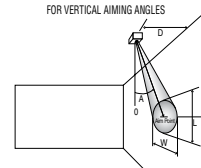
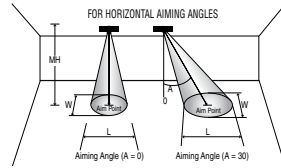
<sup>1</sup> Performance data, including Rated Life, is based on measurements of an individual fixture operating at 120V in a 25°C ambient.

ELECTRICAL DATA			
Input Voltage	120V	277V	347V
Input Wattage (typ.)	9.7	9.8	11
Input Current (max.)	0.09A	0.04A	0.05A
Power Factor	>0.99	>0.95	>0.78
T.H.D.	<10%	<20%	<30%

# TRAC-LITES™ 10W LED R600L G2 DIRECT CANOPY MOUNT

**CBCP** • Centerbeam candlepower  
**FC** • Footcandles at beam center (aim point)

In vertical aiming applications, aim point (X) is determined by dividing distance from the wall (D) by the tangent of the desired aim angle (A) (0.5774 for 30°, 1.0 for 45°, 1.732 for 60°).



Fixture	Beam Type	Beam Spread	Rated Life	CBCP	Horizontal Aiming Angles									Vertical Aiming Angles											
					0°			30°			30°			45°			60°								
					MH	FC	L W	FC	L W	D	FC	X	L W	FC	X	L W	D	FC	X	L W					
<b>R600L G2 10W LED, 3000K, 80CRI Wide Spot</b>	SP	18°	50000	5081	5	203	1.6	1.6	132	2.2	1.9	2.0	159	3.5	2.8	1.3	449	2.0	1.3	0.9	4	206	2.3	1.7	1.5
					6	141	1.9	1.9	92	2.6	2.2	2.5	102	4.3	3.5	1.6	287	2.5	1.7	1.1	5	132	2.9	2.2	1.9
					7	104	2.3	2.3	67	3.0	2.6	3.0	71	5.2	4.2	1.9	200	3.0	2.0	1.4	6	92	3.5	2.6	2.2
					8	79	2.6	2.6	52	3.5	3.0	3.5	52	6.1	4.9	2.3	147	3.5	2.3	1.6	7	67	4.0	3.0	2.6
					9	63	2.9	2.9	41	3.9	3.3	4.0	40	6.9	5.6	2.6	112	4.0	2.6	1.8	8	52	4.6	3.5	3.0
<b>R600L G2 10W LED, 3000K, 80CRI Narrow Flood</b>	NFL	24°	50000	1921	3	213	1.3	1.3	139	1.7	1.5	2.0	60	3.5	4.0	1.7	170	2.0	1.8	1.2	2	312	1.2	1.2	1.0
					4	120	1.7	1.7	78	2.3	2.0	2.5	38	4.3	5.0	2.2	109	2.5	2.3	1.5	3	139	1.7	1.7	1.5
					5	77	2.2	2.2	50	2.9	2.5	3.0	27	5.2	6.0	2.6	75	3.0	2.7	1.8	4	78	2.3	2.3	2.0
					6	53	2.6	2.6	35	3.5	3.0	3.5	20	6.1	7.0	3.0	55	3.5	3.2	2.1	5	50	2.9	2.9	2.5
					7	39	3.0	3.0	25	4.1	3.5	4.0	15	6.9	8.0	3.4	42	4.0	3.6	2.4	6	35	3.5	3.5	3.0
<b>R600L G2 10W LED, 3000K, 80CRI Flood</b>	FL	43°	50000	1159	2	290	1.6	1.6	188	2.2	1.8	1.0	145	1.7	6.1	1.6	410	1.0	1.9	1.1	2	188	1.2	2.2	1.8
					3	129	2.4	2.4	84	3.4	2.8	1.5	64	2.6	9.1	2.4	182	1.5	2.8	1.7	3	84	1.7	3.4	2.8
					4	72	3.2	3.2	47	4.5	3.7	2.0	36	3.5	12.1	3.2	102	2.0	3.8	2.3	4	47	2.3	4.5	3.7
					5	46	4.0	4.0	30	5.6	4.6	2.5	23	4.3	15.2	4.0	66	2.5	4.7	2.8	5	30	2.9	5.6	4.6
					6	32	4.8	4.8	21	6.7	5.5	3.0	16	5.2	18.2	4.8	46	3.0	5.7	3.4	6	21	3.5	6.7	5.5

CRI/CCT Multiplier		
CRI	CCT	Multiplier
80	27K	0.96
	30K	1.00
	35K	1.02
	40K	1.03
90	27K	0.79
	30K	0.82
	35K	0.84
	40K	0.85