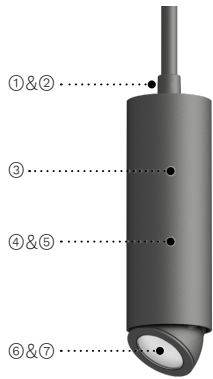


PROJECT NAME: \_\_\_\_\_ QUANTITY: \_\_\_\_\_ TYPE: \_\_\_\_\_

ORDERING CODE: \_\_\_\_\_



- ① Field adjustable stem or catenary suspension or braided steel cable mounting.
- ② Sturdy galvanized steel mounting plate.
- ③ Seamless extruded aluminum cylindrical housing.
- ④ Asymmetric heatsink for perfect blend of clean aesthetic and efficient heat dissipation.
- ⑤ Sleek and durable sealed cast aluminum down light assembly.
- ⑥ 30° tilt and 355° rotation for light adjustability. The module must be fixed in a horizontal position to meet IDA certification.
- ⑦ Faceted specular aluminum reflector offers smooth lighting and reduced glare (NR/FLD/VWD). While TIR collimator lens focuses light in a very narrow beam.



SYP405-STM



SYP405-SPG



SYP405-CAT3



## MATERIALS

Syrios Pro is made of corrosion resistant 360 aluminum alloy with a copper (CU) content of less than 0.1%. The main housing is made of seamless 6063 extruded aluminum, with an integrally sealed LED light module designed for optimal heat dissipation, and lighting performance.

## ELECTRICAL DRIVER

Driver is 0-10V dimming-ready (dims to 1%) with: 120-277 multivolt (50-60Hz) or 347-480 high-volt (50-60Hz), operating temperature range of -30°C/-22°F to 45°C/113°F, output over voltage protection, output over current protection and output short circuit protection with auto-recovery.

## LED LIGHT ENGINE

Offered in 2700K/3000K/3500K/4000K CCT with 80 CRI. 70% LED lumen maintenance at 60,000 hours (L70B50) based on IESNA. LM-80-08 LED extrapolated life, calculated per IESNA TM-21-21. Optional true amber LED for turtle sensitive areas. Wavelengths: 585nm to 597nm. RGBW with white CCT available in 3000K and 4000K. Quad chip technology, enabling optimal color mixing under each individual optic.

## FINISH

Five-stage preparation process including preheating of cast aluminum parts for air extraction, and an environmentally friendly alloy sealant. Polyester powder coating is applied through an electrostatic process and oven cured for long term finish.

## CERTIFICATION

UL Certified to Canadian and U.S. safety standards. Certified for use in wet locations. Rated IP65. Photometric testing performed by an independent laboratory in accordance with IES LM-79-08 standards at 25°C. Actual performance may differ as a result of end-user environment and application. Mounting with SPG cables for indoor only.

## WARRANTY

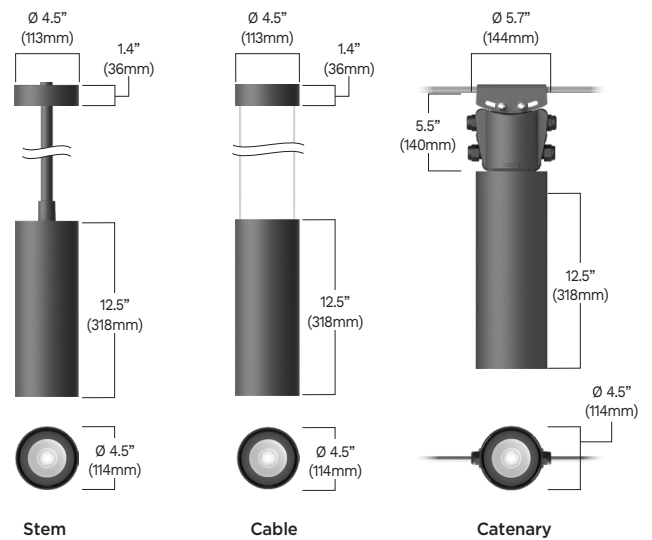
5-year limited warranty. This is the only warranty provided and no other statements in this specification sheet create any warranty of any kind. All other express and implied warranties are disclaimed. Complete warranty terms located at: <https://www.acuitybrands.com/support/warranty/terms-and-conditions>

## MOUNTING


The mounting plate is designed to fit on a 4" (102mm) octagonal electrical box using 3.5" (89mm) C/C mounting holes.

## MEASUREMENTS

Maximum weight: 9.3 lbs (4.2 kg)



**ORDERING CODE**

*SERIES	*DOWNLIGHT OUTPUT	*DOWNLIGHT DISTRIBUTION	CCT <sup>2</sup>	*VOLTAGE	DOWNLIGHT LENS	LOUVERS
<b>SYP405</b> 	<u>Static White</u> <b>L1L10</b> 1344 lm / 12w <b>L1L20</b> 2335 lm / 23w <b>L1L30</b> 3018 lm / 32w  <u>RGBW</u> <b>L1RGBW<sup>1-5</sup></b> 338 lm / 24w  <u>True Amber</u> <b>L1LK2A<sup>5</sup></b> 544 lm / 9w  Delivered lumens calculated at 4000K/80CRI except for RGBW and amber. Flood optic distribution. Typical power consumption. Refer to LCF table for outputs at other CCTs.	<b>NR</b> Narrow optic 15° <b>FLD</b> Flood optic 30° <b>VWD</b> Very wide optic 55°	<b>27K</b> 2700K <b>30K</b> 3000K <b>35K</b> 3500K <b>40K</b> 4000K	<b>120</b> 120V <b>277</b> 277V <b>347</b> 347V <b>480</b> 480V <b>HVOLT</b> 347V-480V <b>MVOLT</b> 120V-277V	<b>ESL</b> Elliptical spread lens <sup>3,5</sup> <b>SL</b> Solite lens <sup>4,5</sup>	<b>HL</b> Hexcell louver
	<u>Very Narrow Distribution</u> <b>L1L06</b> 661 lm / 15w  Delivered lumens calculated at 4000K/80CRI. Very narrow optic distribution. Typical power consumption. Refer to LCF table for outputs at other CCTs.	<b>VNR</b> Very narrow optic 6°	Required field for all outputs except True amber.			

*MOUNTING	SUSPENSION LENGTH	CONDUIT COVER	MOUNTING ACCESSORY	CONTROLS
<b>CAT3</b> Catenary suspension attachment  <b>SPG</b> Black power cord with adjustable suspension cables  <b>STM</b> Field-cutable hang straight suspension stem	<b>12IN</b> 12" <b>24IN</b> 24" <b>36IN</b> 36" <b>48IN</b> 48" <b>60IN</b> 60"  Available up to 240" in 12" increments. Required field for SPG, STM.	<b>SWK</b> Decorative cover for 3/4" conduit junction box	<b>STC</b> Set of 3 stabilizer cables <sup>6</sup>	<b>NLTAIR2</b> nLight AIR 2.0 wireless control <sup>7</sup>

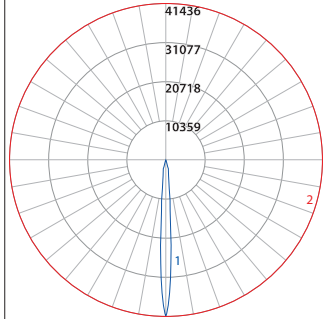
SURGE PROTECTOR	EMERGENCY	*FINISH	WOOD FINISH <sup>11</sup>	ENVIRONMENT	HEIGHT MATCHING
<b>SP</b> Surge protector	<b>REM7</b> Remote emergency battery, 90 min, 7W <sup>8</sup>	<b>BKT</b> Jet black <b>BZT</b> Bronze <b>CHT</b> Champagne <b>DGT</b> Gun metal <b>GRT</b> Titanium gray <b>MST</b> Matte silver <b>SGT</b> Steel gray <b>WHT</b> Snow white  <b>CMC</b> Custom matched color <sup>9</sup> <b>RAL</b> RAL color <sup>10</sup>	<b>ADG</b> American douglas <b>BRC</b> Birch <b>CHN</b> Chestnut <b>CRY</b> Cherry <b>KNP</b> Knotty pine <b>MPL</b> Maple <b>OFL</b> Oak <b>RSW</b> Rosewood <b>TEK</b> Teak <b>WLN</b> Walnut	<b>MG</b> Marine grade paint <sup>12</sup> <b>NT</b> Natatorium suitable <sup>13</sup>	<b>UH</b> Uniform height matching 16.5" (419mm) housing

NOTES

- \*- Denotes a required field
- 1- Delivered lumens with all channels turned on. RGBW uses DM512/RDM as a control input. Available only with 30K, 40K. Not available with 347, 480, HVOLT.
- 2- For IDA certification compliance, luminaire must be ordered with 3000K or warmer.
- 3- 37° x 80°.
- 4- Lumen conversion factor (LCF) 0.9.
- 5- Not available with HL.
- 6- Available only with STM.
- 7- Not available with 480V, HVOLT.
- 8- Remote mount 50ft - 12" (305mm) square enclosure with access cover. The remote enclosure must be interior (cable by others). Not available with 347V, 480V, HVOLT, NLTAIR2, CAT3.
- 9- Contact factory to coordinate custom matching color.
- 10- Specify RAL number.
- 11- Faux wood finish not applied to driver housing, lens frame or accessories. Additional delay required. Not compatible with marine grade paint.
- 12- Marine grade paint for harsh, coastal environment and exposure to salt water. Additional delay required.
- 13- Available only in WHT and BKT finish.

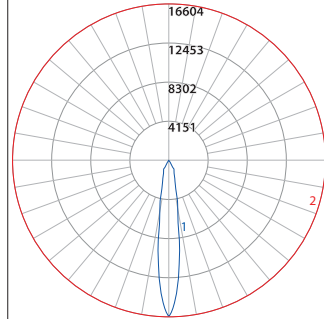
## TYPICAL PHOTOMETRY SUMMARY

SYP405-L1L06-VNR



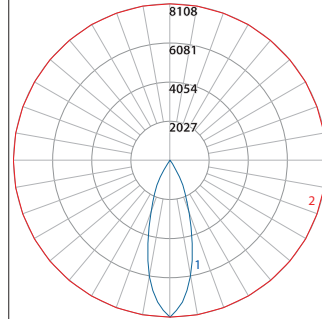
**Total Lms:** 661 Lumens  
**Total Input Watts:** 15 W  
**Efficacy:** 44.1 Lumens/Watt  
**BUG:** B1-U0-G0  
**CCT/CRI:** 4000K/80  
**Maximum Candela:** 41436 @ 0°

SYP405-L1L30-NR



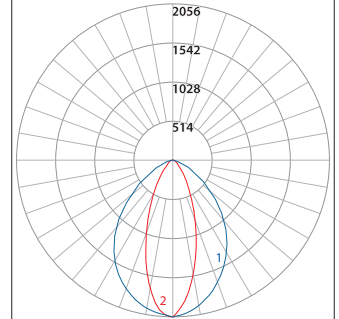
**Total Lms:** 2690 Lumens  
**Total Input Watts:** 32 W  
**Efficacy:** 84.1 Lumens/Watt  
**BUG:** B3-U0-G0  
**CCT/CRI:** 4000K/80  
**Maximum Candela:** 16604 @ 0°

SYP405-L1L30-FLD



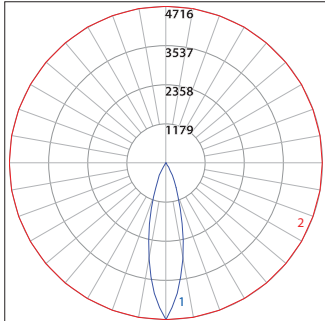
**Total Lms:** 3018 Lumens  
**Total Input Watts:** 32 W  
**Efficacy:** 94.3 Lumens/Watt  
**BUG:** B3-U0-G0  
**CCT/CRI:** 4000K/80  
**Maximum Candela:** 8107 @ 0°

SYP405-L1L30-FLD-ESL



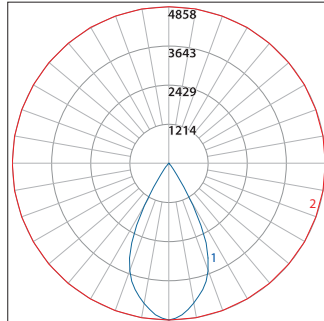
**Total Lms:** 2871 Lumens  
**Total Input Watts:** 32 W  
**Efficacy:** 89.7 Lumens/Watt  
**BUG:** B2-U0-G0  
**CCT/CRI:** 4000K/80  
**Maximum Candela:** 2657 @ 0°

SYP405-L1L30-FLD-HL



**Total Lms:** 1235 Lumens  
**Total Input Watts:** 32 W  
**Efficacy:** 38.6 Lumens/Watt  
**BUG:** B2-U0-G0  
**CCT/CRI:** 4000K/80  
**Maximum Candela:** 4716 @ 0°

SYP405-L1L30-VWD

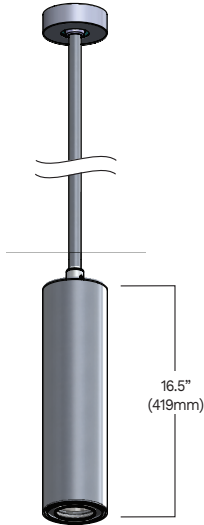


**Total Lms:** 3226 Lumens  
**Total Input Watts:** 32 W  
**Efficacy:** 100.8 Lumens/Watt  
**BUG:** B3-U0-G0  
**CCT/CRI:** 4000K/80  
**Maximum Candela:** 4857 @ 0°

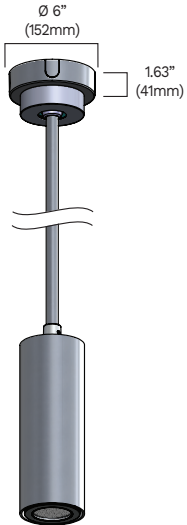
LUMEN CONVERSION FACTOR (LCF)		
CCT	CRI	LCF
2700K	80	0.91
3000K	80	0.94
3500K	80	0.98
4000K	80	1.00

All Photometry shown use the 80CRI 4000K LEDs.  
 Please visit our web site [www.luminis.com](http://www.luminis.com) for complete I.E.S. file.

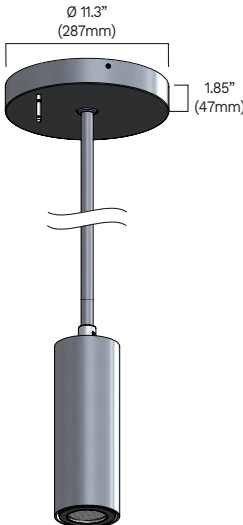
## OPTION DETAILS



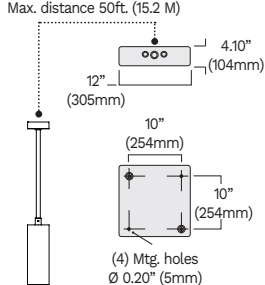
**UH**  
 Tall housing to match SYP402 or SYP406.



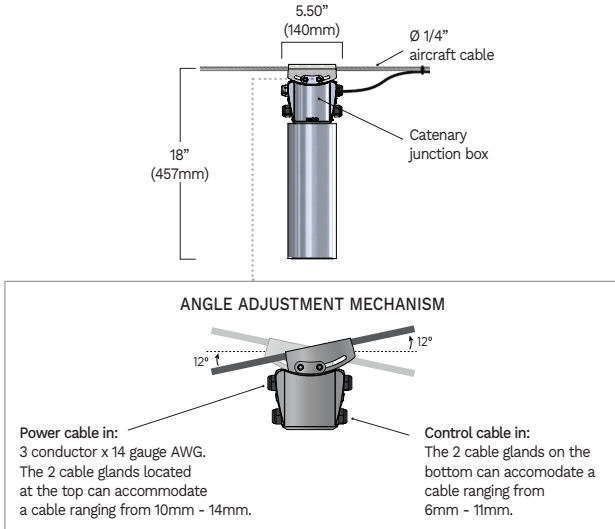
**SWK**  
 Adaptor box for surface 3/4" conduit feed (4 sides plus back entry).  
 NOTE: Shown with stem (STM) option.



**NLTAIR2**  
 nLight AIR 2.0 wireless control mounted on canopy and black antenna.  
 NOTE: Shown with stem (STM) option.



**REM7**  
 Remote mount 120/277V emergency battery pack (1110 lm/90 min). Test switch provided within enclosure with 5" (127mm) leads.




**CAT3**  
 Cast aluminum catenary junction box with 4 sealed connectors by Luminis and pre-inserted into housing.  
 Ready to accept 1/4" or 1/2" stainless steel suspension cable.  
 Weight: 9.8 lbs (4.4 kg)  
 (Structural design, power cable, control cable, stainless steel catenary cable, cable fittings, and fittings for mounting to support structure provided by others.)

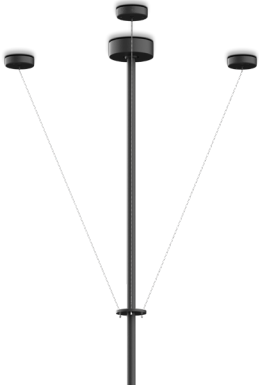
**ANGLE ADJUSTMENT MECHANISM**

Power cable in: 3 conductor x 14 gauge AWG. The 2 cable glands located at the top can accommodate a cable ranging from 10mm - 14mm.

Control cable in: The 2 cable glands on the bottom can accommodate a cable ranging from 6mm - 11mm.



**STM**  
 Standard heavy duty 45° hang straight swivel, with Ø 4.5" (114mm) canopy and universal mounting plate.



**STC**  
 Set of three stabilizer cables. For stem mount only.