

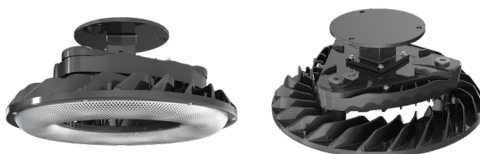
Catalog Number	
Notes	Type

HOLOBAY™

LED High Bay
Wet Location Listed
Crane Mount



HOLO1 CRN
(Small Optical, Large Electrical)



HOLO2 CRN
(Large Optical, Large Electrical)



Description

The low profile HOLOBAY™ LED is the next generation of robust round high bays for the most demanding environments. Designed with features and unmatched electrical, environmental and thermal ratings while providing superior efficiency, visual comfort, exceptional illumination and ease of installation.

Optics

- Prismatic borosilicate glass maintains the highest levels of luminosity over time.
- Glass doesn't fade, discolor, or otherwise degrade in harsh environments.
- Optional silicone rubber lens that will not brown, chip, shatter, or break.
- Five distributions available to achieve results from any mounting height.
- Prismatic optics combined with high efficiency LEDs achieve maximum spacing and superior uniformity.
- Optional uplight module provides 12-15% more output.
- Optics can be installed facing down or inverted (IVO)
- Certain airborne contaminants may adversely affect the functioning of LEDs and other electronic components, depending on various factors such as concentrations of the contaminants, ventilation, and temperature at the end-user location [Click here for a list of substances that may not be suitable for interaction with LEDs and other electronic components.](#)

Mechanical

- Robust A380 cast aluminum housing with low copper content (3.5%) withstands hot and dirty environments.
- Super durable TGIC thermoset powder coat finish coupled with corrosion resistant primer is a five-stage pre-treating and painting process that yields over 5,000 hours salt rating per ASTM B117.
- Stainless steel hardware (410SS).
- Hinged electrical enclosure for easy access to components.
- Includes 3 3/4" NPT hubs (uses A356.0-T6 aluminum plugs) for wiring access.
- Standard non-silicone gasket (EPDM).

Installation

- Crane Mount (CRN)
- Remote Crane Mount (CRN REM)
- Suitable for use in uncovered outdoor applications. (installer responsible to ensure watertight connections)
- Maximum remote distance: 70 feet with 18AWG, 120 feet with 16GA and 150 feet with 14GA wiring. ([see chart on page 17](#))

Electrical

- MVOLT (120-277V) Thermally protected, resetting, Class P, UL listed, CSA certified driver. (HOLO1 & HOLO2: all lumen packages)
- HVOLT (347-480V) Thermally protected, resetting, Class P, UL Listed, CSA Certified driver. (HOLO2: 100000LM only)
- XVOLT (277-480V) is a robust driver solution designed to assist with power quality issues and a dropped neutral in 277V input as derived from 480V Wye. (HOLO1: all lumen packages, HOLO2: 35000LM-90000LM only)
- Fault-tolerant LED light engine continues to provide light even in the failure of one LED.
- FCC Title 47, Part 15, Subpart A Compliant.
- 0-10V Dimming driver is standard, dims to 10%.
- 20 kV/10kA surge rated per ANSI C82.77-5-2015 (standard).
- Sulfur robust light engine is standard †

Listings

- CSA Certified to meet US and Canadian standards
- NOM Certified
- Suitable for use in wet locations
- -40°F (-40°C) to 167°F (75°C) ([see chart on page 5](#))
- 3G rated per ANSI C136.31
- IP65, IP66 rated per IEC60529
- NEMA 4X
- NEMA4X rated

Government Procurement

BAA – Buy America(n) Act: Product qualifies as a domestic end product under the Buy American Act as implemented in the FAR and DFARS. Product also qualifies as manufactured in the United States under DOT Buy America regulations.
BABA – Build America Buy America: Product qualifies as produced in the United States under the definitions of the Build America, Buy America Act.
Please refer to www.acuitybrands.com/buy-american for additional information.

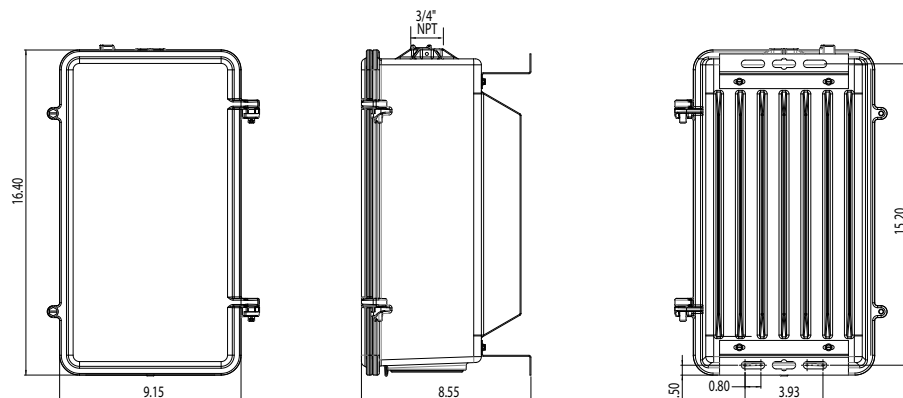
Warranty

5-year limited warranty. This is the only warranty provided and no other statements in this specification sheet create any warranty of any kind. All other express and implied warranties are disclaimed. Complete warranty terms located at: www.acuitybrands.com/support/warranty/terms-and-conditions

NOTE: Actual performance may differ as a result of end-user environment and application. All values are design or typical values, measured under laboratory conditions at 25 °C.

† Upgraded LED boards with sulfur robust solution does not change the warranty and standard terms apply which will not cover any damage due to exposure from sulfur.

REM Remote Electrical Enclosure (18.93 lbs w/3 drivers) or
IE18WCPHECWR Remote Battery Enclosure (finish will match luminaire)



Typical Applications

- Airplane Hanger
- Automotive
- Foundry
- Heavy Industrial
- Large Indoor
- Manufacturing
- Pulp & Paper Mill
- Steel Mill
- Warehouse
- Cranes/Catwalks

Dimensions: Inches (millimeters) unless otherwise noted.

Small Optical:

Diameter: 19.2in (487.68mm)
Height: 10.49in (266.45mm)
Weight: 40lbs (18.14kg)

Large Optical:

Diameter: 23.2in (589.2mm)
Height: 10.74in (272.8mm)
Weight: 50lbs (22.68kg)

Pallet Size:

HOLO1: 16 fixtures per pallet
HOLO2: 12 fixtures per pallet

ORDERING INFORMATION

Example: HOLO1 24000LM MD MVOLT 40K 80CRI CRN DWHXD

Series	Lumens	Distribution	Voltage	Color Temperature	CRI	Mounting	Remote
HOLO1 Small Optical	12000LM	12,000 Nominal Lumens	AD Aisle Glass	MVOLT 120-277VAC, 50/60 Hz	30K 3000K CCT	70CRI 70 CRI	CRN Crane Mount ‡ (blank) Integral driver REM Remote driver
	15000LM	15,000 Nominal Lumens	ADFR Aisle Frosted Glass	120 120VAC, 50/60 Hz	35K 3500K CCT	80CRI 80 CRI	
	18000LM	18,000 Nominal Lumens	FD Focus Glass	208 208VAC, 50/60 Hz	40K 4000K CCT	90CRI 90 CRI	
	24000LM	24,000 Nominal Lumens	FDFR Focus Frosted Glass	240 240VAC, 50/60 Hz	50K 5000K CCT		
	30000LM	30,000 Nominal Lumens	FSMG Focus Smooth Glass	277 277VAC, 50/60 Hz			
	35000LM	35,000 Nominal Lumens	MD Medium Glass	HVOLT 347-480VAC, 50/60 Hz ‡			
	40000LM	40,000 Nominal Lumens	MDFR Medium Frosted Glass	347 347VAC, 50/60Hz ‡			
	45000LM	45,000 Nominal Lumens	ND Narrow Glass	480 480VAC, 50/60 Hz ‡			
	50000LM	50,000 Nominal Lumens	NDFR Narrow Frosted Glass	XVOLT 277-480VAC, 50/60 Hz ‡			
	60000LM	60,000 Nominal Lumens	SOMD Silicone Optic ‡	277X 277VAC, 50/60 Hz ‡			
			SOWD Wide Silicone Optic ‡	347X 347VAC, 50/60 Hz ‡			
			WD Wide Glass	480X 480VAC, 50/60 Hz ‡			
			WDFR Wide Frosted Glass	125VDC 125V, DC Driver ‡ 250VDC 250V, DC Driver ‡			
HOLO2 Large Optical	35000LM	35,000 Nominal Lumens					
	40000LM	40,000 Nominal Lumens					
	45000LM	45,000 Nominal Lumens					
	50000LM	50,000 Nominal Lumens					
	60000LM	60,000 Nominal Lumens					
	70000LM	70,000 Nominal Lumens					
	80000LM	80,000 Nominal Lumens					
	90000LM	90,000 Nominal Lumens					
	100000LM	100,000 Nominal Lumens ‡					

Options	Primary Finish
<p>Emergency:</p> <p>ETS Emergency lighting control device for UL924 operation when using auxiliary generator or central inverter ‡</p> <p>IE07WCPHECW 7W Emergency battery pack, dual stage output, Certified in CA Title 20 MAEDBS, UL924 compliant, self-diagnostic, cold weather (-20°), internally mounted, wet location (120-277V) ‡</p> <p>E10WMCP 10W Emergency battery pack, constant power, Certified in CA Title 20 MAEDBS, UL924 compliant, self-diagnostic, (5°C min), internally mounted, wet location (120-277V) ‡</p> <p>IE18WCPHECWR 18W Emergency battery pack, constant power, Certified in CA Title 20 MAEDBS, UL924 compliant, IP67 test subject, cold weather (-20°), remote mounted, wet location (120-277V) ‡</p> <p>IE20WCPHER 20W Emergency battery pack, constant power, Certified in CA Title 20 MAEDBS, UL924 compliant, self-diagnostic, (0°), remote mounted, damp location (120-480V) ‡</p> <p>IE30WCPHER 30W Emergency battery pack, constant power, Certified in CA Title 20 MAEDBS, UL924 compliant, self-diagnostic, (0°), remote mounted, damp location (120-480V) ‡</p> <p>EMR 2470P Red emergency indicator, center cover plate painted red 24/7 Operation with emergency battery and 3 conductor cord or plug ‡</p> <p>Surge Protection: (blank) 20kV/10kA surge protection based on voltage selected (120-480V)</p> <p>Sensor Switch Embedded Controls:</p> <p>SBG6 360° High Mount Sensor, (15-30' mounting heights, more options available), on/off occupancy</p> <p>SBG10 OCC BTP 360° Low Mount Sensor, (8-15' mounting heights, more options available), on/off occupancy, utilizes smart hub for Bluetooth® programmability ‡</p> <p>See chart for additional control options</p> <p>nLight® Embedded Controls:</p> <p>NLTAIR2 Embedded wireless controls by nLight</p> <p>NLTAIREM2 Embedded wireless controls by nLight with UL924 listed emergency operation</p> <p>NLTAIRER2 Embedded wireless controls by nLight with UL924 listed emergency operation via power sense leads</p> <p>NLTAIR2 APIR Embedded wireless controls by nLight, Passive Infrared Occ sensor with auto-dimming photocell</p> <p>NLTAIREM2 APIR Embedded wireless controls by nLight with UL924 listed emergency operation, Passive Infrared Occ sensor with auto-dimming photocell</p> <p>NLTAIRER2 APIR Embedded wireless controls by nLight with UL924 listed emergency operation via power sense leads, Passive Infrared Occ sensor with auto-dimming photocell</p> <p>See chart for additional control options</p>	<p>Cord Sets:</p> <p>CNP16W Cord, no plug, 16 gauge, 3 conductors, white, 6 feet, other lengths available</p> <p>CNP16WWL Cord, no plug, 16 gauge, 3 conductors, white, 6 feet, other lengths available</p> <p>CNP164CW Cord, no plug, 16 gauge, 4 conductors for use with EM battery, white, 6 feet, other lengths available ‡</p> <p>CNP164CWWL Cord, no plug, 16 gauge, 4 conductors for use with EM battery, white, 6 feet, other lengths available ‡</p> <p>CNP165CW Cord, no plug, 16 gauge, 5 conductors for use with ER controls or ETS device with 2 power sources, white, 6 feet, other lengths available ‡</p> <p>CNP165CWWL Cord, no plug, 16 gauge, 5 conductors for use with ER controls or ETS device with 2 power sources, white, 6 feet, other lengths available ‡</p> <p>CNP165CDW Cord, no plug, 16 gauge, 5 conductors for 0-10V dimming, white, 6 feet, other lengths available ‡</p> <p>CNP165CDWWL Cord, no plug, 16 gauge, 5 conductors for 0-10V dimming, white, 6 feet, other lengths available ‡</p> <p>CPTL16W Cord with NEMA twist lock 15 amp plug, 16 gauge, white, damp location, 6 feet, other lengths available</p> <p>CPTL16WWL Cord with NEMA twist lock 15 amp plug, 16 gauge, white, wet location, 6 feet, other lengths available</p> <p>CPTL20A16W Cord with NEMA twist lock 20 amp plug, 16 gauge, white, damp location, 6 feet, other lengths available</p> <p>CPTL20A16WWL Cord with Brad Mini Change® male connector, non-metallic coupling nut, 3 pole, 16 gauge, yellow, wet location, 6 feet, other lengths available ‡</p> <p>CPSB16W Cord with NEMA straight blade 15 amp plug, white, damp location, 6 feet, other lengths available</p> <p>CMCMBH16YWL Cord with brad mini change male connector, 3 pole, 16 gauge, yellow, wet location, 6 feet, other lengths available ‡</p> <p>MCRMBH16WL Receptacle with Brad Mini Change® male connector, stainless steel coupling nut, 3 pole, 16 gauge leads, wet location</p> <p>See chart for additional cordset options</p> <p>Reloc®:</p> <p>OCS Reloc® One Pass® circuit selector system drop, 18 gauge, 3 conductors, dry location, 6 feet, other lengths available ‡</p> <p>OCS4C Reloc® One Pass® circuit selector system drop, 18-gauge, 4 conductors, for use with EM battery, dry location, 6 feet, other lengths available ‡</p> <p>See chart for additional Reloc® options</p> <p>Other Options:</p> <p>2PA Safety chain factory attached to two points on the luminaire ‡</p> <p>AO Adjustable output dimming ‡</p> <p>DL Damp Location ‡</p> <p>DRYLBL Dry Location ‡</p> <p>SCSS72 18-8 Stainless steel double loop safety chain, factory installed, 72in or 6ft long, other lengths available ‡</p> <p>UPL Uplight ‡</p> <p>WGX Factory installed zinc plated wire guard</p> <p>WGSS Stainless steel wire guard ‡</p>

SEE NEXT PAGE FOR ACCESSORIES

Option Value Ordering Restrictions & Notes	
Option value	Restriction
10000LM	Available with MVOLT, 120, 208, 240, 277 only.
125VDC, 250VDC	Not available with HOLO2 10000LM, SBG BTP sensors, ETS, ER controls, EM batteries (IE07WCPHECW, IE18WCPHECWR, IE20WCPHER, IE30WCPHER), Uplight (UPL).
2470P	Required when an EM battery and a 3 conductor cordset or RELOC cable is selected. The driver and EM battery power inputs will be tied together and the fixture will not be able to be turned off without controls. When ordered with a cordset that includes a plug, the max cord length will be 3 feet.
277X, 347X, 480X	Not available with HOLO2 10000LM.
2PA	Requires SCSS option called out. 2PA = second point of attachment and SCSS = overall length of the safety chain. Example: SCSS72 2PA = 72in or 6ft of SS safety chain attached to two points on the luminaire.
347, 480	Available with 10000LM only. Not available with any controls.
AO	Not available with Sensor Switch embedded dimming controls, nLight embedded controls, 5 conductor dual voltage (CNP165C) or 5 conductor dimming (CNP165CD) cordsets. Available with non-dimming Sensor Switch embedded controls (SBG6 or SBG10; occupancy only).
CMCMBH16YWL	Available in 6 or 12 feet lengths.
CNP164CW, CNP164CWWL	Available with EM battery only (IE07WCPHECW, IE18WCPHECWR, IE20WCPHER, IE30WCPHER).
CNP165CDW, CNP165CDWWL	Not available with EM Batteries (IE07WCPHECW, IE18WCPHECWR, IE20WCPHER, IE30WCPHER), ETS, AO, Sensor Switch embedded dimming controls, nLight embedded controls. Available with non-dimming Sensor Switch embedded controls (SBG6 or SBG10; occupancy only).
CNP165CW, CNP165CWWL	Available with ETS or ER controls only.
CRN	HOLO1 requires large electrical to accommodate crane mounting bracket. HA is not specified in the nomenclature as seen on the HOLOBAY pendant version.
DL	Used to indicate when an external damp rated option is selected such as a plug, battery, hook, or other misc option. The luminaire will include a wet location label unless a damp rated option is selected. A wet location rated fixture is suitable for use in a damp application.
DRYLBL	Used to indicate when a dry location rated RELOC cable is selected. The luminaire will include a wet location label unless RELOC is selected. A wet location rated fixture is suitable for use in a dry application.
E10WMCP	Internally mounted and wet location rated. Available with HOLO1 12000LM-40000LM only and 120-277V only. Available with 4 conductor (CNP164C) cordsets. Also available with 3 conductor (CNP16) cordsets or a cordset with a plug (CPTL16, CPTL20A16). Plug requires 2470P option with a max length of 3ft. Utilizes Power Sentry PS1055MCP battery.
ETS	Not available with EM batteries (IE07WCPHECW, IE18WCPHECWR, IE20WCPHER, IE30WCPHER), EM or ER controls, QD, QR mounting, Reloc (OCS, OCS4C), UPH Cordset (PHCB, PHCBL8480). 120-277V only. Available with a 5 conductor dual voltage cordset (CNP165C), but not required. For HOLO1 (all lumen packages) and HOLO2 35000LM-60000LM, an IOTA ETS DR will be used and a base fixture will be wet location rated. For HOLO2 70000LM-100000LM, an IOTA ETS 20 DR will be externally mounted and the fixture will be damp location rated.
HVOLT	Available with 10000LM only. Not available with any controls.
IE07WCPHECW	Internally mounted and wet location rated. Available with HOLO1 HOLO1 12000LM-40000LM and 120-277V only. Available with 4 conductor (CNP164C) cordsets. Also available with 3 conductor (CNP16) cordsets or a cordset with a plug (CPTL16, CPTL20A16). Plug requires 2470P option with a max length of 3ft. Utilizes IOTA ILBLP SP07 HE SD LC CW battery.
IE18WCPHECWR	Remote mounted and wet location rated. Available with HOLO1 HOLO1 12000LM-40000LM only. 120-277 only. Available with 4 conductor (CNP164C) cordsets. Also available with 3 conductor (CNP16) cordsets or a cordset with a plug (CPTL16, CPTL20A16). Plug requires 2470P option with a max length of 3ft. Utilizes IOTA ILB CP18 HE CW 1LA battery.
IE20WCPHER	Remote mounted and damp location rated. Available with all lumen packages. Available with 120-480V. Available with 4 conductor (CNP164C) cordsets. Also available with 3 conductor (CNP16) cordsets or a cordset with a plug (CPTL16, CPTL20A16). Plug requires 2470P option with a max length of 3ft. Test switch and supply power input located in a remote junction box between battery and luminaire. Utilizes IOTA ILBLP CP20 HE SD HV S for 120-277V and IOTA ILBHI CP20 HE SD HV S for 347-480V batteries.
IE30WCPHER	Remote mounted and damp location rated. Available with all lumen packages. Available with 120-480V. Available with 4 conductor (CNP164C) cordsets. Also available with 3 conductor (CNP16) cordsets or a cordset with a plug (CPTL16, CPTL20A16). Plug requires 2470P option with a max length of 3ft. Test switch and supply power input located in a remote junction box between battery and luminaire. Utilizes IOTA ILBLP CP30 HE SD HV S for 120-277V and IOTA ILBHI CP30 HE SD HV S for 347-480V batteries.
OCS	Available in 6, 10, 15, 20, 25 feet lengths. Example: OCS10FT = 10ft long. Dry location rated. Not available with ETS or ER controls. Must Specify voltage.
OCS4C	Available in 6, 10, 15, 20, 25 feet lengths. Example OCS4C20FT = 20ft long. Dry location rated. Available with EM batteries (IE07WCPHECW, IE18WCPHECWR, IE20WCPHER, IE30WCPHER) only. Must Specify voltage. Available with 120 or 277V only.
SBG10 OCC BTP	Not available with 125VDC or 250VDC (any lumen package) or HOLO2 70000LM-100000LM (any voltage).
SCSS72	Available in 36, 72, 120, 144 and 240 inch lengths. Example: SCSS120 = 120in or 10ft long.
SOMD, SOWD	Not available with HOLO2.
UPL	Damp location rated. 120-277V only. Not available with HOLO2 70000LM-100000LM (any voltage).
WGSS	Ships separately for field installation.
XVOLT	Not available with HOLO2 10000LM.

ACCESSORIES

SAFETY CHAIN OPTIONS

Example: HOLOCHAINSS 120IN

Series	Length
HOLOCHAINSS	36IN 36in or 3ft of 18-8 SS double loop chain
	72IN 72in or 6ft of 18-8 SS double loop chain
	120IN 120in or 10ft of 18-8 SS double loop chain
	144IN 144in or 12ft of 18-8 SS double loop chain
	240IN 240in or 20ft of 18-8 SS double loop chain

MISCELLANEOUS ACCESSORIES

Part Number	Description
HOLO1WG	Galvanized wire guard accessory (small)
HOLO1WGSS	Stainless Steel wire guard accessory (small)
HOLO2WG	Galvanized wire guard accessory (large)
HOLO2WGSS	Stainless Steel wire guard accessory (large)
HCMCFBH16YWL	Cord with Brad Mini Change® female connector, stainless steel coupling nut, 3 pole, 16 gauge, yellow, wet location, 6 feet, for use with the MCRMBH16WL receptacle
HMCRFBH16WL	Receptacle with Brad Mini Change® female connector, nonmetallic coupling nut, 3 pole, 16 gauge leads, wet location, for use with CMCMBH16YWL and CMCMBH16YWL12FT cordsets

ADDITIONAL CORDSET OPTIONS

Plug Option	Plug Type	Amperage	Gauge	# of conductors	Color	Location	Length
CNP Cord only	(blank) No plug option (for cord only option)	(blank) 15 amps	16 16 gauge	(blank) 3 conductors	(blank) Black	(blank) Damp	(blank) 6 feet
CP Cord with plug	TL Twist lock	20A 20 amps		4C 4 conductors (for use with EM battery)	W White	WL Wet ‡	3FT 3 feet
CMC Cord with mini change Plug ‡	SB Straight blade ‡			5C 5 conductors (for use with ETS or ER controls)	Y Yellow ‡		10FT 10 feet
RMC Mini change receptacle	MBH Male Brad Harrison			5CD 5 conductors (for use with 0-10V dimming)			12FT 12 feet
							15FT 15 feet
							20FT 20 feet
							25FT 25 feet
							30FT 30 feet

Notes ‡	
CMC	Available in 6ft or 12ft lengths only.
SB	Not available with WL.
WL	Not available with SB.
Y	Available with CMC or RMC only.

NEMA PLUG CONFIGURATIONS

Voltage	Straight Blade	15A Twist Lock	20A Twist Lock
MVOLT	NA	NA	NA
120	5-15P	L5-15P	L5-20P
208	NA	L6-15P	L6-20P
240	NA	L6-15P	L6-20P
277	7-15P	L7-15P	L7-20P
HVOLT	NA	NA	NA
347	NA	NA	L24-20P
480	NA	NA	L8-20P
XVOLT	NA	NA	NA
277X	NA	L7-15P	L7-20P
347X	NA	NA	L24-20P
480X	NA	NA	L8-20P



Example: OCS10

Part Number	Length
OCS (3) 18 AWG conductors, including ground	(blank) 6 feet
OCS4C (4) 18 AWG conductors, including ground, for use with EM batteries	10 10 feet
	15 15 feet
	20 20 feet
	25 25 feet

ADJUSTABLE OUTPUT PERFORMANCE

AO Position	Lumen Output	Wattage
1	19%	19%
2	29%	27%
3	42%	40%
4	55%	53%
5	70%	68%
6	81%	79%
7	95%	94%
8	100%	100%

EMERGENCY LUMEN PERFORMANCE

Option	Approximate Luminaire Efficacy	1 Minute	45 Minutes	90 Minutes
IE20WCPHER	100 LPW	2000	2000	2000
	110 LPW	2200	2200	2200
	120 LPW	2400	2400	2400
	130 LPW	2600	2600	2600
	140 LPW	2800	2800	2800
IE30WCPHER	100 LPW	3000	3000	3000
	110 LPW	3300	3300	3300
	120 LPW	3600	3600	3600
	130 LPW	3900	3900	3900
	140 LPW	4200	4200	4200
	150 LPW	4500	4500	4500

How to Estimate Delivered Lumens in Emergency Mode
 Use the formula below to estimate the delivered lumens in emergency mode
Delivered Lumens = P x LPW
 P = Output power of emergency driver
 LPW = Lumen per watt rating of the luminaire. (See charts on pages 7)
 The LPW rating is also available at [Designlight Consortium](#)

P = 7 watts for IE07WCPHECW
 P = 18 watts for IE18WCPHECWR
 P = 20 watts for IE20WCPHER
 P = 30 watts for IE30WCPHER

AMBIENT TEMPERATURE

Configuration †	Size	12,000LM (°C)	15,000LM (°C)	18,000LM (°C)	24,000LM (°C)	30,000LM (°C)	35,000LM (°C)	40,000LM (°C)	45,000LM (°C)	50,000LM (°C)	60,000LM (°C)
HOL01 CRN Base	Small Optical, Large Electrical	75	70	70	65	60	60	60	60	60	55
HOL01 CRN Base w/ Controls	Small Optical, Large Electrical	70	65	65	60	55	55	55	55	55	55
HOL01 CRN REM (Optical Only) †	Small Optical, Large Electrical, Remote Enclosure	75	75	75	75	70	65	65	60	60	55
w/ Internal Battery 7W †	Any	-20 to 45	-20 to 45	-20 to 45	-20 to 45	-20 to 45	-20 to 45	-20 to 45	NA	NA	NA
w/ Internal Battery 10W †	Any	5 to 50	5 to 50	5 to 50	5 to 50	5 to 50	5 to 50	5 to 50	NA	NA	NA
w/ Remote Battery 18W †	Any	-20 to 50	-20 to 50	-20 to 50	-20 to 50	-20 to 50	-20 to 50	-20 to 50	NA	NA	NA
w/ Remote Battery 20/30W †	Any	0 to 55	0 to 55	0 to 55	0 to 55	0 to 55	0 to 55	0 to 55	0 to 55	0 to 55	0 to 55

Configuration †	Size	35,000LM (°C)	40,000LM (°C)	45,000LM (°C)	50,000LM (°C)	60,000LM (°C)	70,000LM (°C)	80,000LM (°C)	90,000LM (°C)	100,000LM (°C)
HOL02 CRN Base	Large Optical, Large Electrical	65	65	60	60	60	55	45	45	40
HOL02 CRN Base w/ Controls	Large Optical, Large Electrical	60	60	55	55	55	50	40	40	35
HOL02 CRN REM (Optical Only) †	Large Optical, Large Electrical, Remote Enclosure	70	70	65	65	65	60	45	45	40
w/ External Battery 20/30W †	Any	0 to 55	0 to 55	0 to 55	0 to 55	0 to 55	0 to 55	0 to 55	0 to 55	0 to 55

Notes: †	
Configuration	Minimum Ambient is -40°C unless indicated.
HOL01 CRN REM (Optical Only), HOL02 CRN REM (Optical Only)	Ambient temps for LEDs only. REM option required. Electrical enclosure will be rated same as base ambient.
w/ Internal Battery (7W or 10W)	When an internal battery is paired with any of the above configurations, the ambient temperature is the lower of the two numbers.
w/ Remote Battery (18W or 20/30W)	When a battery is paired with any of the above configurations, the ambient temperature is the lowest of the two numbers.

OPERATING CHARACTERISTICS

Nominal Lumens	Distribution	Input Watts †	70CRI				80CRI				90CRI				
			30K	35K	40K	50K	30K	35K	40K	50K	30K	35K	40K	50K	
HOLO1 CRN 12000LM	AD	70	11760	12167	12539	12539	10878	11013	11489	11590	8031	8395	8692	9452	Lumens
			168	174	179	179	155	157	164	166	115	120	124	135	LPW
	ADFR		10095	10445	10764	10764	9338	9455	9862	9950	6895	7207	7462	8114	Lumens
			144	149	154	154	133	135	141	142	99	103	107	116	LPW
	FD		11814	12224	12598	12598	10929	11065	11542	11643	8068	8434	8732	9496	Lumens
			169	175	180	180	156	158	165	166	115	120	125	136	LPW
	FDFR		11602	12003	12371	12371	10733	10867	11335	11435	7924	8282	8576	9325	Lumens
			166	171	177	177	153	155	162	163	113	118	123	133	LPW
	FSMG		12088	12507	12890	12890	11182	11322	11810	11914	8854	9255	9582	10421	Lumens
			173	179	184	184	160	162	169	170	126	132	137	149	LPW
	MD		12475	12906	13302	13302	11541	11684	12188	12296	8519	8905	9221	10027	Lumens
			178	184	190	190	165	167	174	176	122	127	132	143	LPW
	MDFR		10380	10738	11067	11067	9601	9720	10140	10230	7088	7410	7672	8343	Lumens
			148	153	158	158	137	139	145	146	101	106	110	119	LPW
	ND		11917	12330	12706	12706	11024	11163	11643	11746	8138	8507	8809	9579	Lumens
			170	176	182	182	157	159	166	168	116	122	126	137	LPW
	NDFR		11645	12047	12416	12416	10771	10907	11376	11477	7952	8313	8607	9360	Lumens
			166	172	177	177	154	156	163	164	114	119	123	134	LPW
	SOMD		11939	12354	12732	12732	11045	11183	11664	11768	8634	9024	9344	10161	Lumens
			171	176	182	182	158	160	167	168	123	129	133	145	LPW
	SOWD		11899	12312	12689	12689	11008	11146	11625	11727	8831	9233	9559	10394	Lumens
			170	176	181	181	157	159	166	168	126	132	137	148	LPW
	WD		12531	12965	13361	13361	11589	11738	12243	12351	8557	8945	9262	10071	Lumens
			179	185	191	191	166	168	175	176	122	128	132	144	LPW
WDFR	10819	11193	11536	11536	10007	10132	10570	10664	7388	7724	7997	8696	Lumens		
	155	160	165	165	143	145	151	152	106	110	114	124	LPW		

Nominal Lumens	Distribution	Input Watts †	70CRI				80CRI				90CRI				
			30K	35K	40K	50K	30K	35K	40K	50K	30K	35K	40K	50K	
HOLO1 CRN 15000LM	AD	91	14917	15434	15907	15907	13799	13972	14574	14703	10188	10649	11026	11990	Lumens
			164	170	175	175	152	154	160	162	112	117	121	132	LPW
	ADFR		12806	13249	13654	13654	11846	11994	12511	12622	8745	9142	9465	10294	Lumens
			141	146	150	150	130	132	137	139	96	100	104	113	LPW
	FD		14988	15506	15981	15981	13865	14038	14642	14772	10235	10698	11077	12048	Lumens
			165	170	176	176	152	154	161	162	112	118	122	132	LPW
	FDFR		14717	15227	15693	15693	13615	13785	14379	14506	10052	10506	10878	11830	Lumens
			162	167	172	172	150	151	158	159	110	115	120	130	LPW
	FSMG		15335	15865	16351	16351	14185	14363	14981	15113	11232	11740	12157	13220	Lumens
			169	174	180	180	156	158	165	166	123	129	134	145	LPW
	MD		15825	16372	16874	16874	14639	14822	15460	15598	10806	11298	11698	12720	Lumens
			174	180	185	185	161	163	170	171	119	124	129	140	LPW
	MDFR		13166	13622	14040	14040	12179	12331	12863	12977	8992	9398	9731	10583	Lumens
			145	150	154	154	134	136	141	143	99	103	107	116	LPW
	ND		15118	15642	16120	16120	13985	14159	14769	14900	10324	10791	11175	12152	Lumens
			166	172	177	177	154	156	162	164	113	119	123	134	LPW
	NDFR		14771	15283	15751	15751	13665	13835	14431	14559	10088	10544	10919	11873	Lumens
			162	168	173	173	150	152	159	160	111	116	120	130	LPW
	SOMD		15147	15670	16150	16150	14011	14186	14797	14928	10951	11447	11852	12890	Lumens
			166	172	177	177	154	156	163	164	120	126	130	142	LPW
	SOWD		15097	15619	16097	16097	13965	14138	14747	14877	11203	11709	12126	13186	Lumens
			166	172	177	177	153	155	162	163	123	129	133	145	LPW
	WD		15894	16445	16947	16947	14704	14888	15529	15665	10854	11344	11751	12778	Lumens
			175	181	186	186	162	164	171	172	119	125	129	140	LPW
WDFR	13724	14198	14635	14635	12695	12855	13408	13526	9372	9796	10143	11032	Lumens		
	151	156	161	161	140	141	147	149	103	108	111	121	LPW		

Notes: †

Input Watts	120VAC.
Operating Characteristics	Absolute photometry calculated in accordance with IESNA LM-79-08 @ 25°C.

OPERATING CHARACTERISTICS

Nominal Lumens	Distribution	Input Watts †	70CRI				80CRI				90CRI				
			30K	35K	40K	50K	30K	35K	40K	50K	30K	35K	40K	50K	
HOLO1 CRN 18000LM	AD	108	17403	18004	18557	18557	16099	16300	17002	17153	11886	12423	12863	13989	Lumens
			161	167	172	172	149	151	157	159	110	115	119	130	LPW
	ADFR		14940	15457	15931	15931	13820	13992	14596	14725	10203	10665	11043	12009	Lumens
			138	143	148	148	128	130	135	136	94	99	102	111	LPW
	FD		17484	18091	18645	18645	16175	16376	17081	17232	11942	12482	12924	14054	Lumens
			162	168	173	173	150	152	158	160	111	116	120	130	LPW
	FDFR		17171	17765	18309	18309	15884	16082	16774	16923	11726	12257	12691	13801	Lumens
			159	164	170	170	147	149	155	157	109	113	118	128	LPW
	FSMG		17889	18510	19077	19077	16549	16755	17477	17632	13105	13696	14181	15421	Lumens
			166	171	177	177	153	155	162	163	121	127	131	143	LPW
	MD		18461	19100	19687	19687	17078	17291	18035	18194	12609	13179	13646	14840	Lumens
			171	177	182	182	158	160	167	168	117	122	126	137	LPW
	MDFR		15360	15891	16378	16378	14210	14387	15006	15139	10490	10965	11353	12347	Lumens
			142	147	152	152	132	133	139	140	97	102	105	114	LPW
	ND		17636	18245	18805	18805	16316	16518	17230	17383	12045	12590	13036	14177	Lumens
			163	169	174	174	151	153	160	161	112	117	121	131	LPW
	NDFR		17233	17829	18375	18375	15942	16140	16836	16985	11769	12301	12738	13852	Lumens
			160	165	170	170	148	149	156	157	109	114	118	128	LPW
	SOMD		17669	18282	18842	18842	16346	16550	17262	17415	12777	13355	13828	15037	Lumens
			164	169	174	174	151	153	160	161	118	124	128	139	LPW
	SOWD		17611	18220	18778	18778	16292	16495	17205	17357	13070	13661	14146	15384	Lumens
			163	169	174	174	151	153	159	161	121	126	131	142	LPW
	WD		18543	19183	19774	19774	17153	17367	18115	18276	12666	13239	13707	14906	Lumens
			172	178	183	183	159	161	168	169	117	123	127	138	LPW
WDFR	16011	16564	17071	17071	14812	14997	15642	15780	10935	11430	11834	12870	Lumens		
	148	153	158	158	137	139	145	146	101	106	110	119	LPW		

Nominal Lumens	Distribution	Input Watts †	70CRI				80CRI				90CRI				
			30K	35K	40K	50K	30K	35K	40K	50K	30K	35K	40K	50K	
HOLO1 CRN 24000LM	AD	137	23553	24366	25113	25113	21788	22059	23009	23213	16085	16813	17409	18930	Lumens
			172	178	183	183	159	161	168	169	117	123	127	138	LPW
	ADFR		20218	20917	21559	21559	18704	18937	19752	19927	13808	14433	14945	16252	Lumens
			148	153	157	157	137	138	144	145	101	105	109	119	LPW
	FD		23663	24480	25230	25230	21890	22163	23118	23322	16160	16891	17489	19020	Lumens
			173	179	184	184	160	162	169	170	118	123	128	139	LPW
	FDFR		23237	24041	24777	24777	21496	21764	22701	22902	15869	16588	17175	18678	Lumens
			170	175	181	181	157	159	166	167	116	121	125	136	LPW
	FSMG		24212	25048	25816	25816	22398	22677	23654	23863	17732	18535	19191	20871	Lumens
			177	183	188	188	163	166	173	174	129	135	140	152	LPW
	MD		24984	25849	26642	26642	23112	23400	24407	24625	17063	17833	18466	20084	Lumens
			182	189	194	194	169	171	178	180	125	130	135	147	LPW
	MDFR		20787	21505	22165	22165	19230	19470	20307	20487	14197	14840	15365	16708	Lumens
			152	157	162	162	140	142	148	150	104	108	112	122	LPW
	ND		23867	24693	25450	25450	22080	22355	23317	23523	16301	17038	17641	19184	Lumens
			174	180	186	186	161	163	170	172	119	124	129	140	LPW
	NDFR		23321	24129	24869	24869	21574	21843	22783	22985	15927	16649	17239	18745	Lumens
			170	176	182	182	157	159	166	168	116	122	126	137	LPW
	SOMD		23914	24741	25498	25498	22123	22398	23363	23569	17290	18075	18714	20352	Lumens
			175	181	186	186	161	163	171	172	126	132	137	149	LPW
	SOWD		23833	24657	25412	25412	22049	22323	23284	23491	17688	18488	19144	20817	Lumens
			174	180	185	185	161	163	170	171	129	135	140	152	LPW
	WD		25094	25962	26757	26757	23215	23504	24515	24733	17137	17914	18548	20173	Lumens
			183	190	195	195	169	172	179	181	125	131	135	147	LPW
WDFR	21667	22416	23106	23106	20045	20294	21168	21355	14799	15468	16016	17416	Lumens		
	158	164	169	169	146	148	155	156	108	113	117	127	LPW		

Notes: †

Input Watts	120VAC.
Operating Characteristics	Absolute photometry calculated in accordance with IESNA LM-79-08 @ 25°C.

OPERATING CHARACTERISTICS

Nominal Lumens	Distribution	Input Watts †	70CRI				80CRI				90CRI				
			30K	35K	40K	50K	30K	35K	40K	50K	30K	35K	40K	50K	
HOLO1 CRN 30000LM	AD	179	29590	30614	31552	31552	27373	27715	28908	29164	20209	21123	21872	23784	Lumens
			165	171	176	176	153	155	161	163	113	118	122	133	LPW
	ADFR		25402	26280	27086	27086	23498	23791	24816	25036	17349	18133	18776	20417	Lumens
			142	147	151	151	131	133	139	140	97	101	105	114	LPW
	FD		29727	30757	31699	31699	27500	27844	29043	29299	20304	21222	21974	23895	Lumens
			166	172	177	177	154	156	162	164	113	119	123	133	LPW
	FDFR		29194	30204	31129	31129	27006	27343	28522	28774	19936	20840	21579	23465	Lumens
			163	169	174	174	151	153	159	161	111	116	121	131	LPW
	FSMG		30417	31470	32435	32435	28139	28489	29716	29979	22279	23287	24113	26221	Lumens
			170	176	181	181	157	159	166	167	124	130	135	146	LPW
	MD		31390	32475	33472	33472	29038	29400	30667	30938	21438	22408	23201	25231	Lumens
			175	181	187	187	162	164	171	173	120	125	130	141	LPW
	MDFR		26117	27019	27848	27848	24160	24461	25513	25741	17837	18644	19304	20991	Lumens
			146	151	156	156	135	137	143	144	100	104	108	117	LPW
	ND		29986	31025	31974	31974	27739	28085	29295	29554	20479	21407	22165	24103	Lumens
			168	173	179	179	155	157	164	165	114	120	124	135	LPW
	NDFR		29301	30314	31243	31243	27106	27443	28626	28879	20012	20917	21658	23552	Lumens
			164	169	175	175	151	153	160	161	112	117	121	132	LPW
	SOMD		30044	31084	32036	32036	27793	28139	29351	29611	21724	22708	23512	25566	Lumens
			168	174	179	179	155	157	164	165	121	127	131	143	LPW
	SOWD		29943	30978	31928	31928	27699	28046	29253	29512	22224	23229	24051	26153	Lumens
			167	173	178	178	155	157	163	165	124	130	134	146	LPW
	WD		31529	32619	33618	33618	29166	29531	30802	31075	21532	22508	23304	25341	Lumens
			176	182	188	188	163	165	172	174	120	126	130	142	LPW
	WDFR		27223	28164	29028	29028	25183	25497	26594	26831	18593	19434	20122	21881	Lumens
			152	157	162	162	141	142	149	150	104	109	112	122	LPW

Nominal Lumens	Distribution	Input Watts †	70CRI				80CRI				90CRI				
			30K	35K	40K	50K	30K	35K	40K	50K	30K	35K	40K	50K	
HOLO1 CRN 35000LM	AD	217	33975	35149	36227	36227	31429	31821	33191	33486	23203	24253	25112	27309	Lumens
			157	162	167	167	145	147	153	154	107	112	116	126	LPW
	ADFR		29166	30175	31099	31099	26980	27317	28493	28746	19919	20819	21558	23443	Lumens
			134	139	143	143	124	126	131	132	92	96	99	108	LPW
	FD		34133	35314	36397	36397	31576	31969	33346	33642	23311	24366	25229	27436	Lumens
			157	163	168	168	146	147	154	155	107	112	116	126	LPW
	FDFR		33519	34678	35741	35741	31008	31395	32747	33036	22892	23928	24776	26943	Lumens
			154	160	165	165	143	145	151	152	105	110	114	124	LPW
	FSMG		34925	36133	37240	37240	32309	32711	34121	34422	25581	26737	27684	30106	Lumens
			161	167	172	172	149	151	157	159	118	123	128	139	LPW
	MD		36041	37288	38430	38430	33340	33757	35210	35522	24614	25728	26641	28970	Lumens
			166	172	177	177	154	156	162	164	113	119	123	134	LPW
	MDFR		29987	31023	31973	31973	27740	28086	29294	29553	20478	21405	22164	24103	Lumens
			138	143	147	147	128	129	135	136	94	99	102	111	LPW
	ND		34430	35621	36713	36713	31851	32247	33637	33935	23513	24578	25449	27674	Lumens
			159	164	169	169	147	149	155	156	108	113	117	128	LPW
	NDFR		33642	34806	35872	35872	31122	31510	32867	33158	22975	24017	24867	27042	Lumens
			155	160	165	165	143	145	151	153	106	111	115	125	LPW
	SOMD		34496	35689	36784	36784	31913	32310	33702	33999	25310	26070	27393	29355	Lumens
			159	164	170	170	147	149	155	157	117	120	126	135	LPW
	SOWD		34380	35569	36659	36659	31803	32199	33589	33885	25112	26249	27616	29556	Lumens
			158	164	169	169	147	148	155	156	116	121	127	136	LPW
	WD		36202	37453	38600	38600	33487	33904	35368	35681	24722	25841	26756	29097	Lumens
			167	173	178	178	154	156	163	164	114	119	123	134	LPW
	WDFR		31257	32337	33328	33328	28915	29275	30535	30808	21346	22311	23105	25124	Lumens
			144	149	154	154	133	135	141	142	98	103	106	116	LPW

Notes: †

Input Watts	120VAC.
Operating Characteristics	Absolute photometry calculated in accordance with IESNA LM-79-08 @ 25°C.

OPERATING CHARACTERISTICS

Nominal Lumens	Distribution	Input Watts †	70CRI				80CRI				90CRI				
			30K	35K	40K	50K	30K	35K	40K	50K	30K	35K	40K	50K	
HOLO1 CRN 40000LM	AD	252	39779	41155	42416	42416	36799	37257	38863	39206	27167	28396	29404	31975	Lumens
			158	163	168	168	146	148	154	156	108	113	117	127	LPW
	ADFR		34149	35331	36413	36413	31590	31984	33361	33657	23322	24378	25241	27448	Lumens
			136	140	144	144	125	127	132	134	93	97	100	109	LPW
	FD		39965	41348	42616	42616	36972	37433	39045	39390	27293	28529	29539	32123	Lumens
			159	164	169	169	147	149	155	156	108	113	117	127	LPW
	FDFR		39246	40604	41848	41848	36307	36759	38341	38680	26803	28016	29009	31546	Lumens
			156	161	166	166	144	146	152	153	106	111	115	125	LPW
	FSMG		40892	42306	43603	43603	37829	38300	39950	40303	29950	31307	32414	35250	Lumens
			162	168	173	173	150	152	159	160	119	124	129	140	LPW
	MD		42200	43659	44996	44996	39038	39523	41227	41591	28819	30124	31192	33920	Lumens
			167	173	179	179	155	157	164	165	114	120	124	135	LPW
	MDFR		35110	36323	37437	37437	32479	32884	34301	34604	23978	25063	25951	28221	Lumens
			139	144	149	149	129	130	136	137	95	99	103	112	LPW
	ND		40312	41706	42986	42986	37292	37757	39383	39732	27531	28777	29797	32403	Lumens
			160	166	171	171	148	150	156	158	109	114	118	129	LPW
	NDFR		39391	40752	42003	42003	36439	36894	38483	38823	26901	28120	29115	31662	Lumens
			156	162	167	167	145	146	153	154	107	112	116	126	LPW
	SOMD		40389	41786	43067	43067	37365	37829	39460	39808	29203	30526	31607	34371	Lumens
			160	166	171	171	148	150	157	158	116	121	125	136	LPW
	SOWD		40255	41646	42921	42921	37237	37701	39327	39675	29404	30734	31823	34607	Lumens
			160	165	170	170	148	150	156	157	117	122	126	137	LPW
	WD		42384	43852	45195	45195	39209	39697	41408	41773	28948	30258	31330	34067	Lumens
			168	174	179	179	156	158	164	166	115	120	124	135	LPW
WDFR	36597	37862	39024	39024	33855	34277	35754	36070	24994	26124	27051	29417	Lumens		
	145	150	155	155	134	136	142	143	99	104	107	117	LPW		

Nominal Lumens	Distribution	Input Watts †	70CRI				80CRI				90CRI				
			30K	35K	40K	50K	30K	35K	40K	50K	30K	35K	40K	50K	
HOLO1 CRN 45000LM	AD	256	43934	45452	46845	46845	40642	41147	42920	43300	30004	31362	32474	35313	Lumens
			172	178	183	183	159	161	168	169	117	123	127	138	LPW
	ADFR		37715	39019	40214	40214	34889	35324	36846	37172	25757	26923	27877	30315	Lumens
			147	152	157	157	136	138	144	145	101	105	109	118	LPW
	FD		44140	45666	47065	47065	40832	41340	43122	43503	30144	31509	32625	35477	Lumens
			172	178	184	184	160	161	168	170	118	123	127	139	LPW
	FDFR		43345	44843	46218	46218	40097	40597	42346	42721	29602	30942	32038	34840	Lumens
			169	175	181	181	157	159	165	167	116	121	125	136	LPW
	FSMG		45163	46724	48157	48157	41778	42298	44122	44512	33078	34575	35799	38930	Lumens
			176	183	188	188	163	165	172	174	129	135	140	152	LPW
	MD		46604	48216	49696	49696	43115	43652	45530	45933	31829	33268	34449	37461	Lumens
			182	188	194	194	168	171	178	179	124	130	135	146	LPW
	MDFR		38776	40116	41345	41345	35870	36317	37883	38218	26481	27681	28661	31167	Lumens
			151	157	162	162	140	142	148	149	103	108	112	122	LPW
	ND		44522	46061	47474	47474	41186	41698	43497	43881	30405	31784	32909	35787	Lumens
			174	180	185	185	161	163	170	171	119	124	129	140	LPW
	NDFR		43504	45008	46388	46388	40244	40745	42502	42877	29711	31056	32155	34968	Lumens
			170	176	181	181	157	159	166	167	116	121	126	137	LPW
	SOMD		44609	46152	47565	47565	41264	41778	43580	43965	32731	33713	35423	38522	Lumens
			174	180	186	186	161	163	170	172	128	132	138	150	LPW
	SOWD		44457	45996	47405	47405	41126	41639	43431	43816	32996	34488	35709	38220	Lumens
			174	180	185	185	161	163	170	171	129	135	139	149	LPW
	WD		46811	48430	49913	49913	43305	43845	45733	46137	31970	33416	34599	37626	Lumens
			183	189	195	195	169	171	179	180	125	131	135	147	LPW
WDFR	40420	41816	43096	43096	37390	37855	39488	39837	27603	28854	29875	32488	Lumens		
	158	163	168	168	146	148	154	156	108	113	117	127	LPW		

Notes: †

Input Watts	120VAC.
Operating Characteristics	Absolute photometry calculated in accordance with IESNA LM-79-08 @ 25°C.

OPERATING CHARACTERISTICS

Nominal Lumens	Distribution	Input Watts †	70CRI				80CRI				90CRI				
			30K	35K	40K	50K	30K	35K	40K	50K	30K	35K	40K	50K	
HOLO1 CRN 50000LM	AD	285	49178	50878	52437	52437	45493	46060	48045	48469	36533	38187	39540	42998	Lumens
			173	179	184	184	160	162	169	170	128	134	139	151	LPW
	ADFR		43794	45307	46696	46696	40511	41016	42783	43163	29908	31262	32369	35201	Lumens
			154	159	164	164	142	144	150	151	105	110	114	124	LPW
	FD		51252	53024	54650	54650	47413	48003	50071	50513	35002	36587	37883	41195	Lumens
			180	186	192	192	166	168	176	177	123	128	133	145	LPW
	FDFR		50331	52070	53666	53666	46559	47139	49170	49605	34372	35928	37202	40455	Lumens
			177	183	188	188	163	165	173	174	121	126	131	142	LPW
	FSMG		52440	54254	55917	55917	48512	49115	51231	51684	38408	40147	41570	45204	Lumens
			184	190	196	196	170	172	180	181	135	141	146	159	LPW
	MD		52169	53973	55626	55626	48261	48863	50967	51418	38755	40509	41946	45613	Lumens
			183	189	195	195	169	171	179	180	136	142	147	160	LPW
	MDFR		43405	44905	46282	46282	40152	40652	42405	42780	32245	33705	34899	37952	Lumens
			152	158	162	162	141	143	149	150	113	118	122	133	LPW
	ND		49837	51560	53141	53141	46103	46677	48689	49120	37023	38699	40070	43575	Lumens
			175	181	186	186	162	164	171	172	120	126	131	141	LPW
	NDFR		48698	50381	51925	51925	45049	45611	47574	47995	36176	37815	39154	42578	Lumens
			171	177	182	182	158	160	167	168	127	133	137	149	LPW
	SOMD		54317	56195	57916	57916	50246	50871	53062	53533	37452	39146	40533	44079	Lumens
			191	197	203	203	176	178	186	188	131	137	142	155	LPW
	SOWD		54133	56004	57721	57721	50075	50699	52885	53353	38312	40047	41466	45094	Lumens
			190	197	203	203	176	178	186	187	134	141	145	158	LPW
	WD		52401	54212	55873	55873	48473	49077	51194	51646	38927	40689	42130	45815	Lumens
			184	190	196	196	170	172	180	181	137	143	148	161	LPW
	WDFR		45244	46808	48242	48242	41853	42374	44202	44593	33611	35133	36377	39560	Lumens
			159	164	169	169	147	149	155	156	118	123	128	139	LPW

Nominal Lumens	Distribution	Input Watts †	70CRI				80CRI				90CRI				
			30K	35K	40K	50K	30K	35K	40K	50K	30K	35K	40K	50K	
HOLO1 CRN 60000LM	AD	367	59808	61875	63772	63772	55325	56015	58429	58945	40845	42694	44207	48073	Lumens
			163	169	174	174	151	153	159	161	111	116	120	131	LPW
	ADFR		51341	53118	54745	54745	47494	48087	50158	50602	35064	36651	37949	41268	Lumens
			140	145	149	149	129	131	137	138	96	100	103	112	LPW
	FD		60088	62165	64070	64070	55585	56278	58702	59221	41035	42894	44413	48296	Lumens
			164	169	175	175	151	153	160	161	112	117	121	132	LPW
	FDFR		59006	61047	62917	62917	54585	55266	57645	58155	40298	42122	43614	47429	Lumens
			161	166	171	171	149	151	157	158	110	115	119	129	LPW
	FSMG		61480	63606	65555	65555	56874	57583	60063	60594	45029	47068	48735	52997	Lumens
			168	173	179	179	155	157	164	165	123	128	133	144	LPW
	MD		63446	65640	67650	67650	58692	59422	61981	62529	43330	45290	46894	50996	Lumens
			173	179	184	184	160	162	169	170	118	123	128	139	LPW
	MDFR		52786	54612	56284	56284	48831	49440	51569	52026	36049	37683	39017	42430	Lumens
			144	149	153	153	133	135	141	142	98	103	106	116	LPW
	ND		60609	62705	64627	64627	56068	56767	59213	59736	41392	43267	44799	48717	Lumens
			165	171	176	176	153	155	161	163	113	118	122	133	LPW
	NDFR		59222	61270	63149	63149	54785	55467	57857	58370	40445	42277	43774	47602	Lumens
			161	167	172	172	149	151	158	159	110	115	119	130	LPW
	SOMD		60726	62825	64750	64750	56175	56876	59325	59849	43906	45895	47520	51675	Lumens
			165	171	176	176	153	155	162	163	120	125	129	141	LPW
	SOWD		60520	62612	64533	64533	55985	56682	59126	59648	44207	46210	47846	52032	Lumens
			165	171	176	176	153	154	161	163	120	126	130	142	LPW
	WD		63724	65927	67950	67950	58952	59687	62257	62806	43522	45492	47103	51223	Lumens
			174	180	185	185	161	163	170	171	119	124	128	140	LPW
	WDFR		55023	56926	58669	58669	50899	51535	53753	54230	37576	39280	40671	44228	Lumens
			150	155	160	160	139	140	146	148	102	107	111	121	LPW

Notes: †

Input Watts	120VAC.
Operating Characteristics	Absolute photometry calculated in accordance with IESNA LM-79-08 @ 25°C.

OPERATING CHARACTERISTICS

Nominal Lumens	Distribution	Input Watts †	70CRI				80CRI				90CRI				
			30K	35K	40K	50K	30K	35K	40K	50K	30K	35K	40K	50K	
HOLO2 CRN 35000LM	AD	202	34351	35539	36628	36628	31777	32173	33558	33856	23775	24851	25732	27982	Lumens
			170	176	181	181	157	159	166	167	118	123	127	138	LPW
	ADFR		29580	30604	31541	31541	27363	27706	28899	29154	20473	21400	22158	24096	Lumens
			146	151	156	156	135	137	143	144	101	106	110	119	LPW
	FD		33598	34760	35824	35824	31080	31467	32823	33113	23253	24306	25168	27368	Lumens
			166	172	177	177	154	156	162	164	115	120	125	135	LPW
	FDFR		29520	30540	31476	31476	27307	27648	28839	29094	20430	21355	22112	24046	Lumens
			146	151	156	156	135	137	143	144	101	106	109	119	LPW
	FSMG		33595	34757	35822	35822	31078	31465	32821	33111	23252	24305	25165	27366	Lumens
			166	172	177	177	154	156	162	164	115	120	124	135	LPW
	MD		36479	37740	38898	38898	33747	34166	35639	35953	25247	26390	27327	29716	Lumens
			180	187	192	192	167	169	176	178	125	131	135	147	LPW
	MDFR		31044	32118	33102	33102	28718	29077	30328	30596	21486	22459	23254	25289	Lumens
			154	159	164	164	142	144	150	151	106	111	115	125	LPW
	ND		34580	35776	36872	36872	31990	32388	33783	34081	23934	25017	25903	28169	Lumens
			171	177	182	182	158	160	167	169	118	124	128	139	LPW
	NDFR		31582	32674	33675	33675	29218	29580	30854	31127	21858	22848	23657	25726	Lumens
			156	162	167	167	145	146	153	154	108	113	117	127	LPW
	WD		36047	37291	38434	38434	33345	33760	35213	35524	24948	26077	27001	29361	Lumens
			178	184	190	190	165	167	174	176	123	129	134	145	LPW
WDFR	32283	33399	34422	34422	29863	30236	31538	31817	22344	23355	24182	26297	Lumens		
	160	165	170	170	148	150	156	157	111	116	120	130	LPW		

Nominal Lumens	Distribution	Input Watts †	70CRI				80CRI				90CRI				
			30K	35K	40K	50K	30K	35K	40K	50K	30K	35K	40K	50K	
HOLO2 CRN 40000LM	AD	238	39712	41086	42345	42345	36737	37195	38797	39140	27485	28730	29748	32349	Lumens
			167	173	178	178	154	156	163	164	115	121	125	136	LPW
	ADFR		34198	35380	36464	36464	31635	32030	33409	33705	23669	24740	25617	27858	Lumens
			144	149	153	153	133	135	140	142	99	104	108	117	LPW
	FD		38842	40185	41416	41416	35931	36379	37947	38282	26883	28099	29096	31640	Lumens
			163	169	174	174	151	153	159	161	113	118	122	133	LPW
	FDFR		34127	35306	36389	36389	31570	31964	33340	33635	23620	24689	25563	27800	Lumens
			143	148	153	153	133	134	140	141	99	104	107	117	LPW
	FSMG		38839	40182	41414	41414	35929	36377	37944	38280	26881	28098	29094	31638	Lumens
			163	169	174	174	151	153	159	161	113	118	122	133	LPW
	MD		42174	43632	44969	44969	39014	39500	41202	41566	29190	30510	31591	34354	Lumens
			177	183	189	189	164	166	173	175	123	128	133	144	LPW
	MDFR		35890	37131	38269	38269	33201	33614	35063	35373	24840	25964	26885	29236	Lumens
			151	156	161	161	140	141	147	149	104	109	113	123	LPW
	ND		39978	41360	42627	42627	36982	37443	39057	39402	27669	28922	29947	32565	Lumens
			168	174	179	179	155	157	164	166	116	122	126	137	LPW
	NDFR		36511	37774	38931	38931	33776	34196	35670	35985	25270	26414	27350	29742	Lumens
			153	159	164	164	142	144	150	151	106	111	115	125	LPW
	WD		41672	43113	44434	44434	38549	39030	40710	41071	28841	30147	31215	33946	Lumens
			175	181	187	187	162	164	171	173	121	127	131	143	LPW
WDFR	37321	38612	39796	39796	34525	34955	36461	36784	25831	27000	27957	30402	Lumens		
	157	162	167	167	145	147	153	155	109	113	117	128	LPW		

Notes: †

Input Watts	120VAC.
Operating Characteristics	Absolute photometry calculated in accordance with IESNA LM-79-08 @ 25°C.

OPERATING CHARACTERISTICS

Nominal Lumens	Distribution	Input Watts †	70CRI				80CRI				90CRI				
			30K	35K	40K	50K	30K	35K	40K	50K	30K	35K	40K	50K	
HOLO2 CRN 45000LM	AD	269	44646	46190	47606	47606	41301	41816	43617	44003	30900	32299	33444	36369	Lumens
			166	172	177	177	154	155	162	164	115	120	124	135	LPW
	ADFR		38446	39776	40995	40995	35566	36009	37560	37892	26609	27815	28800	31318	Lumens
			143	148	152	152	132	134	140	141	99	103	107	116	LPW
	FD		43668	45178	46562	46562	40396	40899	42661	43039	30223	31592	32711	35572	Lumens
			162	168	173	173	150	152	159	160	112	117	122	132	LPW
	FDFR		38368	39694	40911	40911	35493	35935	37483	37814	26555	27757	28740	31254	Lumens
			143	148	152	152	132	134	139	141	99	103	107	116	LPW
	FSMG		43664	45174	46559	46559	40393	40896	42658	43036	30222	31589	32709	35569	Lumens
			162	168	173	173	150	152	159	160	112	117	122	132	LPW
	MD		47413	49052	50557	50557	43861	44407	46320	46730	32817	34301	35516	38623	Lumens
			176	182	188	188	163	165	172	174	122	128	132	144	LPW
	MDFR		40349	41745	43023	43023	37326	37791	39419	39768	27926	29191	30225	32868	Lumens
			150	155	160	160	139	140	147	148	104	109	112	122	LPW
	ND		44945	46500	47925	47925	41578	42096	43910	44298	31107	32516	33668	36612	Lumens
			167	173	178	178	155	156	163	165	116	121	125	136	LPW
	NDFR		41048	42467	43768	43768	37972	38445	40101	40456	28410	29696	30748	33437	Lumens
			153	158	163	163	141	143	149	150	106	110	114	124	LPW
	WD		46850	48469	49955	49955	43339	43878	45768	46172	32425	33893	35094	38162	Lumens
			174	180	186	186	161	163	170	172	121	126	130	142	LPW
WDFR	41959	43410	44740	44740	38815	39298	40991	41354	29041	30355	31430	34179	Lumens		
	156	161	166	166	144	146	152	154	108	113	117	127	LPW		

Nominal Lumens	Distribution	Input Watts †	70CRI				80CRI				90CRI				
			30K	35K	40K	50K	30K	35K	40K	50K	30K	35K	40K	50K	
HOLO2 CRN 50000LM	AD	285	49789	51512	53090	53090	46059	46633	48641	49072	34461	36020	37297	40558	Lumens
			175	181	186	186	162	164	171	172	121	126	131	142	LPW
	ADFR		42875	44358	45717	45717	39663	40157	41887	42258	29675	31018	32117	34926	Lumens
			150	156	160	160	139	141	147	148	104	109	113	123	LPW
	FD		48698	50382	51925	51925	45049	45611	47576	47996	33705	35231	36478	39669	Lumens
			171	177	182	182	158	160	167	168	118	124	128	139	LPW
	FDFR		42787	44267	45623	45623	39581	40074	41800	42170	29614	30954	32051	34854	Lumens
			150	155	160	160	139	141	147	148	104	109	112	122	LPW
	FSMG		48694	50378	51923	51923	45046	45607	47572	47993	33702	35228	36476	39666	Lumens
			171	177	182	182	158	160	167	168	118	124	128	139	LPW
	MD		52875	54704	56380	56380	48913	49524	51656	52113	36596	38252	39609	43071	Lumens
			186	192	198	198	172	174	181	183	128	134	139	151	LPW
	MDFR		44997	46553	47979	47979	41626	42145	43960	44349	31143	32553	33706	36655	Lumens
			158	163	168	168	146	148	154	156	109	114	118	129	LPW
	ND		50122	51855	53445	53445	46367	46944	48967	49400	34690	36262	37546	40830	Lumens
			176	182	188	188	163	165	172	173	122	127	132	143	LPW
	NDFR		45776	47359	48810	48810	42346	42874	44721	45117	31683	33117	34290	37289	Lumens
			161	166	171	171	149	150	157	158	111	116	120	131	LPW
	WD		52246	54052	55709	55709	48330	48933	51041	51492	36161	37796	39136	42558	Lumens
			183	190	195	195	170	172	179	181	127	133	137	149	LPW
WDFR	46792	48410	49894	49894	43286	43826	45713	46118	32386	33851	35051	38116	Lumens		
	164	170	175	175	152	154	160	162	114	119	123	134	LPW		

Notes: †

Input Watts	120VAC.
Operating Characteristics	Absolute photometry calculated in accordance with IESNA LM-79-08 @ 25°C.

OPERATING CHARACTERISTICS

Nominal Lumens	Distribution	Input Watts †	70CRI				80CRI				90CRI				
			30K	35K	40K	50K	30K	35K	40K	50K	30K	35K	40K	50K	
HOLO2 CRN 60000LM	AD	353	60912	63018	64950	64950	56347	57050	59507	60034	42158	44066	45628	49618	Lumens
			173	179	184	184	160	162	169	170	119	125	129	141	LPW
	ADFR		52453	54268	55930	55930	48523	49128	51244	51697	36304	37947	39292	42728	Lumens
			149	154	158	158	137	139	145	146	103	107	111	121	LPW
	FD		59576	61637	63525	63525	55112	55799	58203	58718	41233	43100	44628	48530	Lumens
			169	175	180	180	156	158	165	166	117	122	126	137	LPW
	FDFR		52344	54155	55814	55814	48423	49026	51138	51590	36229	37869	39211	42640	Lumens
			148	153	158	158	137	139	145	146	103	107	111	121	LPW
	FSMG		59573	61633	63522	63522	55109	55796	58200	58715	41231	43098	44625	48527	Lumens
			169	175	180	180	156	158	165	166	117	122	126	137	LPW
	MD		64687	66923	68974	68974	59840	60586	63197	63756	44770	46798	48456	52693	Lumens
			183	190	195	195	170	172	179	181	127	133	137	149	LPW
	MDFR		55048	56953	58697	58697	50924	51559	53780	54255	38101	39825	41236	44843	Lumens
			156	161	166	166	144	146	152	154	108	113	117	127	LPW
	ND		61319	63439	65385	65385	56724	57432	59906	60436	42441	44361	45933	49950	Lumens
			174	180	185	185	161	163	170	171	120	126	130	142	LPW
	NDFR		56001	57939	59714	59714	51806	52451	54711	55195	38760	40514	41950	45618	Lumens
			159	164	169	169	147	149	155	156	110	115	119	129	LPW
	WD		63916	66126	68153	68153	59126	59864	62442	62996	44237	46241	47879	52066	Lumens
			181	187	193	193	167	170	177	178	125	131	136	147	LPW
WDFR	57244	59225	61038	61038	52956	53615	55926	56420	39620	41414	42881	46631	Lumens		
	162	168	173	173	150	152	158	160	112	117	121	132	LPW		

Nominal Lumens	Distribution	Input Watts †	70CRI				80CRI				90CRI				
			30K	35K	40K	50K	30K	35K	40K	50K	30K	35K	40K	50K	
HOLO2 CRN 70000LM	AD	411	68445	70812	72981	72981	63317	64106	66867	67459	47372	49516	51271	55754	Lumens
			167	172	178	178	154	156	163	164	115	120	125	136	LPW
	ADFR		58940	60978	62847	62847	54524	55204	57581	58091	40793	42640	44151	48012	Lumens
			143	148	153	153	133	134	140	141	99	104	107	117	LPW
	FD		66944	69259	71382	71382	61928	62700	65400	65979	46333	48430	50147	54532	Lumens
			163	169	174	174	151	153	159	161	113	118	122	133	LPW
	FDFR		58818	60852	62718	62718	54412	55089	57462	57970	40709	42552	44059	47913	Lumens
			143	148	153	153	132	134	140	141	99	104	107	117	LPW
	FSMG		66940	69254	71376	71376	61924	62696	65397	65976	46330	48427	50143	54529	Lumens
			163	169	174	174	151	153	159	161	113	118	122	133	LPW
	MD		72687	75200	77504	77504	67240	68077	71011	71640	50308	52585	54448	59210	Lumens
			177	183	189	189	164	166	173	174	122	128	132	144	LPW
	MDFR		61857	63996	65957	65957	57223	57935	60432	60967	42812	44750	46336	50388	Lumens
			151	156	160	160	139	141	147	148	104	109	113	123	LPW
	ND		68903	71286	73470	73470	63739	64534	67313	67909	47690	49847	51614	56128	Lumens
			168	173	179	179	155	157	164	165	116	121	126	137	LPW
	NDFR		62928	65104	67099	67099	58213	58938	61477	62021	43553	45525	47138	51260	Lumens
			153	158	163	163	142	143	150	151	106	111	115	125	LPW
	WD		71821	74305	76582	76582	66439	67266	70166	70786	49707	51960	53800	58505	Lumens
			175	181	186	186	162	164	171	172	121	126	131	142	LPW
WDFR	64324	66549	68588	68588	59505	60246	62842	63397	44520	46535	48184	52398	Lumens		
	157	162	167	167	145	147	153	154	108	113	117	127	LPW		

Notes: †

Input Watts	120VAC.
Operating Characteristics	Absolute photometry calculated in accordance with IESNA LM-79-08 @ 25°C.

OPERATING CHARACTERISTICS

Nominal Lumens	Distribution	Input Watts †	70CRI				80CRI				90CRI				
			30K	35K	40K	50K	30K	35K	40K	50K	30K	35K	40K	50K	
HOLO2 CRN 80000LM	AD	477	77534	80216	82673	82673	71725	72619	75747	76417	53663	56092	58080	63159	Lumens
			163	168	173	173	150	152	159	160	113	118	122	132	LPW
	ADFR		66768	69077	71193	71193	61765	62535	65228	65805	46211	48303	50015	54389	Lumens
			140	145	149	149	129	131	137	138	97	101	105	114	LPW
	FD		75834	78457	80861	80861	70153	71027	74087	74743	52486	54862	56805	61774	Lumens
			159	164	170	170	147	149	155	157	110	115	119	130	LPW
	FDFR		66630	68934	71045	71045	61637	62406	65094	65670	46116	48203	49912	54276	Lumens
			140	145	149	149	129	131	136	138	97	101	105	114	LPW
	FSMG		75829	78452	80856	80856	70148	71022	74081	74737	52484	54859	56803	61771	Lumens
			159	164	170	170	147	149	155	157	110	115	119	129	LPW
	MD		82340	85188	87797	87797	76170	77119	80441	81154	56988	59567	61679	67072	Lumens
			173	179	184	184	160	162	169	170	119	125	129	141	LPW
	MDFR		70072	72495	74716	74716	64822	65630	68456	69062	48498	50694	52490	57080	Lumens
			147	152	157	157	136	138	144	145	102	106	110	120	LPW
	ND		78053	80752	83226	83226	72204	73104	76254	76929	54022	56468	58468	63581	Lumens
			164	169	174	174	151	153	160	161	113	118	123	133	LPW
	NDFR		71285	73750	76010	76010	65944	66765	69641	70258	49337	51571	53399	58069	Lumens
			149	155	159	159	138	140	146	147	103	108	112	122	LPW
	WD		81359	84173	86752	86752	75264	76202	79483	80187	56310	58859	60945	66273	Lumens
			171	176	182	182	158	160	167	168	118	123	128	139	LPW
WDFR	72867	75387	77697	77697	67407	68247	71187	71817	50433	52715	54583	59357	Lumens		
	153	158	163	163	141	143	149	151	106	111	114	124	LPW		

Nominal Lumens	Distribution	Input Watts †	70CRI				80CRI				90CRI				
			30K	35K	40K	50K	30K	35K	40K	50K	30K	35K	40K	50K	
HOLO2 CRN 90000LM	AD	555	88472	91531	94336	94336	81843	82863	86432	87197	61233	64005	66273	72068	Lumens
			159	165	170	170	147	149	156	157	110	115	119	130	LPW
	ADFR		76186	78821	81236	81236	70478	71356	74430	75088	52730	55117	57069	62060	Lumens
			137	142	146	146	127	129	134	135	95	99	103	112	LPW
	FD		86533	89524	92268	92268	80048	81045	84538	85286	59890	62602	64819	70489	Lumens
			156	161	166	166	144	146	152	154	108	113	117	127	LPW
	FDFR		76029	78658	81068	81068	70333	71208	74276	74933	52620	55003	56952	61933	Lumens
			137	142	146	146	127	128	134	135	95	99	103	112	LPW
	FSMG		86527	89520	92262	92262	80043	81041	84531	85281	59887	62598	64816	70483	Lumens
			156	161	166	166	144	146	152	154	108	113	117	127	LPW
	MD		93956	97204	100182	100182	86915	87998	91789	92600	65028	67970	70381	76535	Lumens
			169	175	181	181	157	159	165	167	117	122	127	138	LPW
	MDFR		79957	82722	85257	85257	73966	74887	78113	78804	55339	57844	59894	65132	Lumens
			144	149	154	154	133	135	141	142	100	104	108	117	LPW
	ND		89064	92145	94967	94967	82391	83418	87011	87781	61642	64433	66716	72550	Lumens
			160	166	171	171	148	150	157	158	111	116	120	131	LPW
	NDFR		81341	84154	86733	86733	75246	76184	79465	80169	56296	58845	60931	66259	Lumens
			147	152	156	156	136	137	143	144	101	106	110	119	LPW
	WD		92836	96048	98989	98989	85880	86951	90696	91499	64254	67161	69543	75625	Lumens
			167	173	178	178	155	157	163	165	116	121	125	136	LPW
WDFR	83146	86021	88658	88658	76916	77874	81229	81948	57546	60151	62284	67730	Lumens		
	150	155	160	160	139	140	146	148	104	108	112	122	LPW		

Notes: †

Input Watts	120VAC.
Operating Characteristics	Absolute photometry calculated in accordance with IESNA LM-79-08 @ 25°C.

OPERATING CHARACTERISTICS

Nominal Lumens	Distribution	Input Watts ‡	70CRI				80CRI				90CRI				
			30K	35K	40K	50K	30K	35K	40K	50K	30K	35K	40K	50K	
HOLO2 CRN 10000LM	AD	641	100516	103992	107179	107179	92985	94143	98199	99068	69569	72718	75295	81879	Lumens
			157	162	167	167	145	147	153	155	109	113	117	128	LPW
	ADFR		86558	89551	92295	92295	80072	81070	84562	85311	59908	62620	64839	70509	Lumens
			135	140	144	144	125	126	132	133	93	98	101	110	LPW
	FD		98312	101712	104829	104829	90946	92079	96046	96896	68043	71124	73644	80083	Lumens
			153	159	164	164	142	144	150	151	106	111	115	125	LPW
	FDFR		86380	89367	92104	92104	79907	80902	84388	85135	59784	62491	64706	70364	Lumens
			135	139	144	144	125	126	132	133	93	97	101	110	LPW
	FSMG		98306	101706	104822	104822	90940	92074	96040	96890	68039	71119	73639	80079	Lumens
			153	159	164	164	142	144	150	151	106	111	115	125	LPW
	MD		106746	110438	113820	113820	98747	99978	104285	105208	73881	77225	79961	86954	Lumens
			167	172	178	178	154	156	163	164	115	120	125	136	LPW
	MDFR		90842	93983	96862	96862	84035	85082	88747	89533	62873	65719	68048	73999	Lumens
			142	147	151	151	131	133	138	140	98	103	106	115	LPW
	ND		101189	104687	107895	107895	93608	94773	98856	99732	70035	73205	75799	82427	Lumens
			158	163	168	168	146	148	154	156	109	114	118	129	LPW
	NDFR		92414	95610	98540	98540	85490	86555	90284	91083	63961	66857	69225	75280	Lumens
			144	149	154	154	133	135	141	142	100	104	108	117	LPW
	WD		105474	109121	112466	112466	97571	98787	103042	103955	72999	76306	79009	85919	Lumens
			165	170	175	175	152	154	161	162	114	119	123	134	LPW
WDFR	94465	97732	100727	100727	87387	88476	92287	93104	65381	68341	70762	76950	Lumens		
	147	152	157	157	136	138	144	145	102	107	110	120	LPW		

Notes: ‡

Input Watts	120VAC.
Operating Characteristics	Absolute photometry calculated in accordance with IESNA LM-79-08 @ 25°C.

UPLIGHT OPERATING CHARACTERISTICS

Configuration	Lumen Package	70CRI				80CRI				90CRI				Input Watts
		30K	35K	40K	50K	30K	35K	40K	50K	30K	35K	40K	50K	
HOL01 CRN - Small Optical, Large Electrical (3 bars)	12000LM	1906	1972	2033	2033	1764	1786	1863	1879	1302	1361	1409	1532	11
	15000LM	2287	2366	2439	2439	2116	2142	2234	2254	1562	1633	1690	1838	13
	18000LM	2847	2945	3036	3036	2634	2667	2781	2806	1944	2032	2104	2288	17
	24000LM	3750	3880	3999	3999	3469	3512	3664	3696	2561	2677	2772	3014	23
	30000LM	4618	4777	4924	4924	4272	4325	4511	4551	3153	3296	3413	3712	29
	35000LM	5354	5539	5709	5709	4953	5015	5231	5277	3657	3822	3958	4304	37
	40000LM	6146	6358	6553	6553	5685	5756	6004	6057	4197	4387	4542	4940	43
	45000LM	6918	7157	7376	7376	6399	6479	6758	6818	4724	4938	5113	5560	50
	50000LM	7421	7678	7913	7913	6865	6950	7250	7314	5068	5297	5485	5965	54
60000LM	7421	7678	7913	7913	6865	6950	7250	7314	5068	5297	5485	5965	54	

Configuration	Lumen Package	70CRI				80CRI				90CRI				Input Watts
		30K	35K	40K	50K	30K	35K	40K	50K	30K	35K	40K	50K	
HOL02 CRN- Large optical, Large Electrical (3 bars)	35000LM	5354	5539	5709	5709	4953	5015	5231	5277	3657	3822	3958	4304	36
	40000LM	6146	6358	6553	6553	5685	5756	6004	6057	4197	4387	4542	4940	42
	45000LM	6918	7157	7376	7376	6399	6479	6758	6818	4724	4938	5113	5560	48
	50000LM	7421	7678	7913	7913	6865	6950	7250	7314	5068	5297	5485	5965	52
	60000LM	7421	7678	7913	7913	6865	6950	7250	7314	5068	5297	5485	5965	52

LUMEN AMBIENT TEMPERATURE (LAT) MULTIPLIERS

HOLO1 CRN (SMALL OPTICAL, LARGE ELECTRICAL)

Ambient °C	12000LM	15000LM	18000LM	24000LM	30000LM	35000LM	40000LM	45000LM	50000LM	60000LM
-40	1.05	1.06	1.06	1.06	1.07	1.07	1.08	1.07	1.07	1.08
-35	1.05	1.05	1.06	1.06	1.07	1.07	1.07	1.06	1.07	1.08
-30	1.05	1.05	1.05	1.06	1.06	1.06	1.07	1.06	1.06	1.07
-25	1.05	1.05	1.05	1.05	1.06	1.06	1.06	1.06	1.06	1.07
-20	1.04	1.04	1.05	1.05	1.05	1.05	1.06	1.05	1.05	1.06
-15	1.04	1.04	1.04	1.04	1.05	1.05	1.05	1.05	1.05	1.05
-10	1.04	1.04	1.04	1.04	1.04	1.04	1.05	1.04	1.04	1.05
-5	1.03	1.03	1.03	1.04	1.04	1.04	1.04	1.04	1.04	1.04
0	1.03	1.03	1.03	1.03	1.03	1.03	1.03	1.03	1.03	1.04
5	1.02	1.02	1.02	1.02	1.03	1.03	1.03	1.03	1.03	1.03
10	1.02	1.02	1.02	1.02	1.02	1.02	1.02	1.02	1.02	1.02
15	1.01	1.01	1.01	1.01	1.01	1.01	1.01	1.01	1.01	1.02
20	1.01	1.01	1.01	1.01	1.01	1.01	1.01	1.01	1.01	1.01
25	1.00	1.00	1.00	1.00	1.00	1.00	1.00	1.00	1.00	1.00
30	0.99	0.99	0.99	0.99	0.99	0.99	0.99	0.99	0.99	0.99
35	0.99	0.99	0.99	0.99	0.98	0.98	0.98	0.99	0.98	0.98
40	0.98	0.98	0.98	0.98	0.98	0.98	0.98	0.98	0.98	0.97
45	0.97	0.97	0.97	0.97	0.97	0.97	0.97	0.97	0.97	0.97
50	0.97	0.97	0.96	0.96	0.96	0.96	0.96	0.96	0.96	0.96
55	0.96	0.96	0.96	0.95	0.95	0.95	0.95	0.95	0.95	0.95
60	0.95	0.95	0.95	0.95	0.94	0.94	0.94	0.94	0.94	
65	0.94	0.94	0.94	0.94	0.93	0.93	0.93			
70	0.93	0.93	0.93	0.93	0.92					
75	0.93	0.92	0.92							

LUMEN AMBIENT TEMPERATURE (LAT) MULTIPLIERS

HOLO2 CRN (LARGE OPTICAL, LARGE ELECTRICAL)

Ambient °C	35000LM	40000LM	45000LM	50000LM	60000LM	70000LM	80000LM	90000LM	100000LM
-40	1.06	1.06	1.07	1.07	1.07	1.08	1.09	1.10	1.10
-35	1.06	1.06	1.06	1.06	1.07	1.08	1.08	1.09	1.10
-30	1.05	1.06	1.06	1.06	1.07	1.07	1.08	1.08	1.09
-25	1.05	1.05	1.06	1.06	1.06	1.07	1.07	1.08	1.08
-20	1.05	1.05	1.05	1.05	1.06	1.06	1.07	1.07	1.08
-15	1.04	1.05	1.05	1.05	1.05	1.06	1.06	1.06	1.07
-10	1.04	1.04	1.04	1.04	1.05	1.05	1.05	1.06	1.06
-5	1.03	1.04	1.04	1.04	1.04	1.04	1.05	1.05	1.05
0	1.03	1.03	1.03	1.03	1.03	1.04	1.04	1.04	1.05
5	1.02	1.02	1.03	1.03	1.03	1.03	1.03	1.03	1.04
10	1.02	1.02	1.02	1.02	1.02	1.02	1.02	1.03	1.03
15	1.01	1.01	1.01	1.01	1.01	1.02	1.02	1.02	1.02
20	1.01	1.01	1.01	1.01	1.01	1.01	1.01	1.01	1.01
25	1.00	1.00	1.00	1.00	1.00	1.00	1.00	1.00	1.00
30	0.99	0.99	0.99	0.99	0.99	0.99	0.99	0.99	0.99
35	0.99	0.99	0.99	0.99	0.98	0.98	0.98	0.98	0.98
40	0.98	0.98	0.98	0.98	0.98	0.97	0.97	0.97	0.97
45	0.97	0.97	0.97	0.97	0.97	0.97	0.96	0.96	
50	0.96	0.96	0.96	0.96	0.96	0.96			
55	0.96	0.95	0.95	0.95	0.95	0.95			
60	0.95	0.95	0.94	0.94	0.94	0.94			
65	0.94	0.94	0.93	0.93	0.93				
70	0.93	0.93							

REMOTE ENCLOSURE MAXIMUM WIRING DISTANCE

AWG Wire Size (solid)	Resistance per Foot (Ohms)														
	10'	20'	30'	40'	50'	60'	70'	80'	90'	100'	110'	120'	130'	140'	150'
18	0.06	0.13	0.19	0.26	0.32	0.38	0.45	NA	NA	NA	NA	NA	NA	NA	NA
16	0.04	0.08	0.12	0.16	0.2	0.24	0.18	0.32	0.36	0.4	0.44	0.48	NA	NA	NA
14	0.03	0.05	0.08	0.1	0.13	0.15	0.18	0.2	0.23	0.25	0.28	0.3	0.33	0.35	0.38

LUMEN MAINTENANCE

HOLO1 12,000LM Ambient °C	Operating Hours						
	0	15000	30000	45000	60000	70000	100000
25	100	98.11	97.86	97.62	97.38	97.21	96.73
30	100	98.11	97.86	97.62	97.38	97.21	96.73
35	100	98.11	97.86	97.62	97.38	97.21	96.73
40	100	98.11	97.86	97.62	97.38	97.21	96.73
45	100	97.90	97.69	97.47	97.25	97.11	96.68
50	100	97.90	97.69	97.47	97.25	97.11	96.68
55	100	97.90	97.69	97.47	97.25	97.11	96.68
60	100	97.90	97.69	97.47	97.25	97.11	96.68
65	100	97.90	97.69	97.47	97.25	97.11	96.68
70	100	97.90	97.69	97.47	97.25	97.11	96.68
75	100	97.90	97.69	97.47	97.25	97.11	96.68

HOLO1 35,000LM Ambient °C	Operating Hours						
	0	15000	30000	45000	60000	70000	100000
25	100	98.11	97.86	97.62	97.38	97.21	96.73
30	100	97.90	97.69	97.47	97.25	97.11	96.68
35	100	97.90	97.69	97.47	97.25	97.11	96.68
40	100	97.90	97.69	97.47	97.25	97.11	96.68
45	100	97.90	97.69	97.47	97.25	97.11	96.68
50	100	97.90	97.69	97.47	97.25	97.11	96.68
55	100	97.90	97.69	97.47	97.25	97.11	96.68
60	100	96.67	95.81	94.95	94.09	93.53	91.86
65	100	96.67	95.81	94.95	94.09	93.53	91.86

HOLO1 15,000LM Ambient °C	Operating Hours						
	0	15000	30000	45000	60000	70000	100000
25	100	98.11	97.86	97.62	97.38	97.21	96.73
30	100	98.11	97.86	97.62	97.38	97.21	96.73
35	100	98.11	97.86	97.62	97.38	97.21	96.73
40	100	98.11	97.86	97.62	97.38	97.21	96.73
45	100	97.90	97.69	97.47	97.25	97.11	96.68
50	100	97.90	97.69	97.47	97.25	97.11	96.68
55	100	97.90	97.69	97.47	97.25	97.11	96.68
60	100	97.90	97.69	97.47	97.25	97.11	96.68
65	100	97.90	97.69	97.47	97.25	97.11	96.68
70	100	97.90	97.69	97.47	97.25	97.11	96.68
75	100	96.67	95.81	94.95	94.09	93.53	91.86

HOLO1 40,000LM Ambient °C	Operating Hours						
	0	15000	30000	45000	60000	70000	100000
25	100	97.90	97.69	97.47	97.25	97.11	96.68
30	100	97.90	97.69	97.47	97.25	97.11	96.68
35	100	97.90	97.69	97.47	97.25	97.11	96.68
40	100	97.90	97.69	97.47	97.25	97.11	96.68
45	100	97.90	97.69	97.47	97.25	97.11	96.68
50	100	97.90	97.69	97.47	97.25	97.11	96.68
55	100	96.67	95.81	94.95	94.09	93.53	91.86
60	100	96.67	95.81	94.95	94.09	93.53	91.86
65	100	96.67	95.81	94.95	94.09	93.53	91.86

HOLO1 18,000LM Ambient °C	Operating Hours						
	0	15000	30000	45000	60000	70000	100000
25	100	98.11	97.86	97.62	97.38	97.21	96.73
30	100	98.11	97.86	97.62	97.38	97.21	96.73
35	100	98.11	97.86	97.62	97.38	97.21	96.73
40	100	97.90	97.69	97.47	97.25	97.11	96.68
45	100	97.90	97.69	97.47	97.25	97.11	96.68
50	100	97.90	97.69	97.47	97.25	97.11	96.68
55	100	97.90	97.69	97.47	97.25	97.11	96.68
60	100	97.90	97.69	97.47	97.25	97.11	96.68
65	100	97.90	97.69	97.47	97.25	97.11	96.68
70	100	96.67	95.81	94.95	94.09	93.53	91.86

HOLO1 45,000LM Ambient °C	Operating Hours						
	0	15000	30000	45000	60000	70000	100000
25	100	97.90	97.69	97.47	97.25	97.11	96.68
30	100	97.90	97.69	97.47	97.25	97.11	96.68
35	100	97.90	97.69	97.47	97.25	97.11	96.68
40	100	97.90	97.69	97.47	97.25	97.11	96.68
45	100	97.90	97.69	97.47	97.25	97.11	96.68
50	100	97.90	97.69	97.47	97.25	97.11	96.68
55	100	96.67	95.81	94.95	94.09	93.53	91.86
60	100	96.67	95.81	94.95	94.09	93.53	91.86

HOLO1 24,000LM Ambient °C	Operating Hours						
	0	15000	30000	45000	60000	70000	100000
25	100	98.11	97.86	97.62	97.38	97.21	96.73
30	100	98.11	97.86	97.62	97.38	97.21	96.73
35	100	97.90	97.69	97.47	97.25	97.11	96.68
40	100	97.90	97.69	97.47	97.25	97.11	96.68
45	100	97.90	97.69	97.47	97.25	97.11	96.68
50	100	97.90	97.69	97.47	97.25	97.11	96.68
55	100	97.90	97.69	97.47	97.25	97.11	96.68
60	100	97.90	97.69	97.47	97.25	97.11	96.68
65	100	96.67	95.81	94.95	94.09	93.53	91.86
70	100	96.67	95.81	94.95	94.09	93.53	91.86

HOLO1 50,000LM Ambient °C	Operating Hours						
	0	15000	30000	45000	60000	70000	100000
25	100	97.90	97.69	97.47	97.25	97.11	96.68
30	100	97.90	97.69	97.47	97.25	97.11	96.68
35	100	97.90	97.69	97.47	97.25	97.11	96.68
40	100	97.90	97.69	97.47	97.25	97.11	96.68
45	100	97.90	97.69	97.47	97.25	97.11	96.68
50	100	97.90	97.69	97.47	97.25	97.11	96.68
55	100	96.67	95.81	94.95	94.09	93.53	91.86
60	100	96.67	95.81	94.95	94.09	93.53	91.86

HOLO1 30,000LM Ambient °C	Operating Hours						
	0	15000	30000	45000	60000	70000	100000
25	100	98.11	97.86	97.62	97.38	97.21	96.73
30	100	97.90	97.69	97.47	97.25	97.11	96.68
35	100	97.90	97.69	97.47	97.25	97.11	96.68
40	100	97.90	97.69	97.47	97.25	97.11	96.68
45	100	97.90	97.69	97.47	97.25	97.11	96.68
50	100	97.90	97.69	97.47	97.25	97.11	96.68
55	100	97.90	97.69	97.47	97.25	97.11	96.68
60	100	96.67	95.81	94.95	94.09	93.53	91.86
65	100	96.67	95.81	94.95	94.09	93.53	91.86

HOLO1 60,000LM Ambient °C	Operating Hours						
	0	15000	30000	45000	60000	70000	100000
25	100	97.90	97.69	97.47	97.25	97.11	96.68
30	100	97.90	97.69	97.47	97.25	97.11	96.68
35	100	97.90	97.69	97.47	97.25	97.11	96.68
40	100	97.90	97.69	97.47	97.25	97.11	96.68
45	100	96.67	95.81	94.95	94.09	93.53	91.86
50	100	96.67	95.81	94.95	94.09	93.53	91.86
55	100	96.67	95.81	94.95	94.09	93.53	91.86

LUMEN MAINTENANCE

HOLO2 35,000LM Ambient °C	Operating Hours						
	0	15000	30000	45000	60000	70000	100000
25	100	98.11	97.86	97.62	97.38	97.21	96.73
30	100	98.11	97.86	97.62	97.38	97.21	96.73
35	100	97.90	97.69	97.47	97.25	97.11	96.68
40	100	97.90	97.69	97.47	97.25	97.11	96.68
45	100	97.90	97.69	97.47	97.25	97.11	96.68
50	100	97.90	97.69	97.47	97.25	97.11	96.68
55	100	97.90	97.69	97.47	97.25	97.11	96.68
60	100	97.90	97.69	97.47	97.25	97.11	96.68
65	100	97.90	97.69	97.47	97.25	97.11	96.68
70	100	96.67	95.81	94.95	94.09	93.53	91.86

HOLO2 70,000LM Ambient °C	Operating Hours						
	0	15000	30000	45000	60000	70000	100000
25	100	97.90	97.69	97.47	97.25	97.11	96.68
30	100	97.90	97.69	97.47	97.25	97.11	96.68
35	100	97.90	97.69	97.47	97.25	97.11	96.68
40	100	97.90	97.69	97.47	97.25	97.11	96.68
45	100	96.67	95.81	94.95	94.09	93.53	91.86
50	100	96.67	95.81	94.95	94.09	93.53	91.86
55	100	96.67	95.81	94.95	94.09	93.53	91.86
60	100	96.67	95.81	94.95	94.09	93.53	91.86

HOLO2 40,000LM Ambient °C	Operating Hours						
	0	15000	30000	45000	60000	70000	100000
25	100	98.11	97.86	97.62	97.38	97.21	96.73
30	100	98.11	97.86	97.62	97.38	97.21	96.73
35	100	97.90	97.69	97.47	97.25	97.11	96.68
40	100	97.90	97.69	97.47	97.25	97.11	96.68
45	100	97.90	97.69	97.47	97.25	97.11	96.68
50	100	97.90	97.69	97.47	97.25	97.11	96.68
55	100	97.90	97.69	97.47	97.25	97.11	96.68
60	100	97.90	97.69	97.47	97.25	97.11	96.68
65	100	96.67	95.81	94.95	94.09	93.53	91.86
70	100	96.67	95.81	94.95	94.09	93.53	91.86

HOLO2 80,000LM Ambient °C	Operating Hours						
	0	15000	30000	45000	60000	70000	100000
25	100	97.90	97.69	97.47	97.25	97.11	96.68
30	100	97.90	97.69	97.47	97.25	97.11	96.68
35	100	96.67	95.81	94.95	94.09	93.53	91.86
40	100	96.67	95.81	94.95	94.09	93.53	91.86
45	100	96.67	95.81	94.95	94.09	93.53	91.86

HOLO2 45,000LM Ambient °C	Operating Hours						
	0	15000	30000	45000	60000	70000	100000
25	100	98.11	97.86	97.62	97.38	97.21	96.73
30	100	97.90	97.69	97.47	97.25	97.11	96.68
35	100	97.90	97.69	97.47	97.25	97.11	96.68
40	100	97.90	97.69	97.47	97.25	97.11	96.68
45	100	97.90	97.69	97.47	97.25	97.11	96.68
50	100	97.90	97.69	97.47	97.25	97.11	96.68
55	100	97.90	97.69	97.47	97.25	97.11	96.68
60	100	96.67	95.81	94.95	94.09	93.53	91.86
65	100	96.67	95.81	94.95	94.09	93.53	91.86

HOLO2 90,000LM Ambient °C	Operating Hours						
	0	15000	30000	45000	60000	70000	100000
25	100	97.90	97.69	97.47	97.25	97.11	96.68
30	100	96.67	95.81	94.95	94.09	93.53	91.86
35	100	96.67	95.81	94.95	94.09	93.53	91.86
40	100	96.67	95.81	94.95	94.09	93.53	91.86
45	100	96.67	95.81	94.95	94.09	93.53	91.86

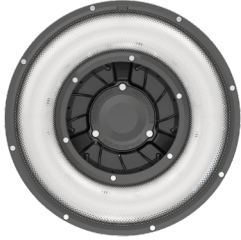
HOLO2 50,000LM Ambient °C	Operating Hours						
	0	15000	30000	45000	60000	70000	100000
25	100	98.11	97.86	97.62	97.38	97.21	96.73
30	100	97.90	97.69	97.47	97.25	97.11	96.68
35	100	97.90	97.69	97.47	97.25	97.11	96.68
40	100	97.90	97.69	97.47	97.25	97.11	96.68
45	100	97.90	97.69	97.47	97.25	97.11	96.68
50	100	97.90	97.69	97.47	97.25	97.11	96.68
55	100	97.90	97.69	97.47	97.25	97.11	96.68
60	100	96.67	95.81	94.95	94.09	93.53	91.86
65	100	96.67	95.81	94.95	94.09	93.53	91.86

HOLO2 100,000LM Ambient °C	Operating Hours						
	0	15000	30000	45000	60000	70000	100000
25	100	96.67	95.81	94.95	94.09	93.53	91.86
30	100	96.67	95.81	94.95	94.09	93.53	91.86
35	100	96.67	95.81	94.95	94.09	93.53	91.86
40	100	96.67	95.81	94.95	94.09	93.53	91.86

HOLO2 60,000LM Ambient °C	Operating Hours						
	0	15000	30000	45000	60000	70000	100000
25	100	97.90	97.69	97.47	97.25	97.11	96.68
30	100	97.90	97.69	97.47	97.25	97.11	96.68
35	100	97.90	97.69	97.47	97.25	97.11	96.68
40	100	97.90	97.69	97.47	97.25	97.11	96.68
45	100	97.90	97.69	97.47	97.25	97.11	96.68
50	100	97.90	97.69	97.47	97.25	97.11	96.68
55	100	96.67	95.81	94.95	94.09	93.53	91.86
60	100	96.67	95.81	94.95	94.09	93.53	91.86
65	100	96.67	95.81	94.95	94.09	93.53	91.86

IMAGES

HOLO1 CRN Bottom
(Small Optical, Large Electrical)



HOLO1 CRN Top
(Small Optical, Large Electrical)



HOLO1 CRN Side
(Small Optical, Large Electrical)



HOLO2 CRN Bottom
(Large Optical, Large Electrical)



HOLO2 CRN Top
(Large Optical, Large Electrical)



HOLO2 CRN Side
(Large Optical, Large Electrical)



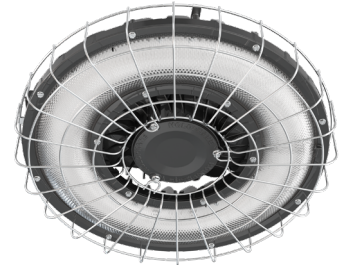
nLight Air Embedded Sensor
(NLTAIR2 APIR)



Sensor Switch Embedded Sensor
(SBG, SBG BTP)

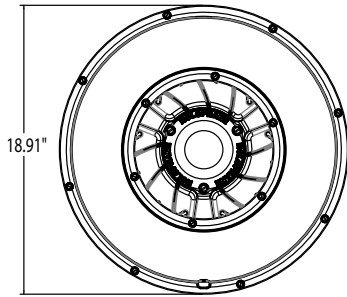


Wireguard
(WGX, HOLO1WG, HOLO2WG)

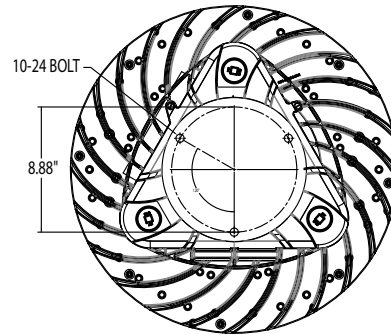


DIMENSIONS

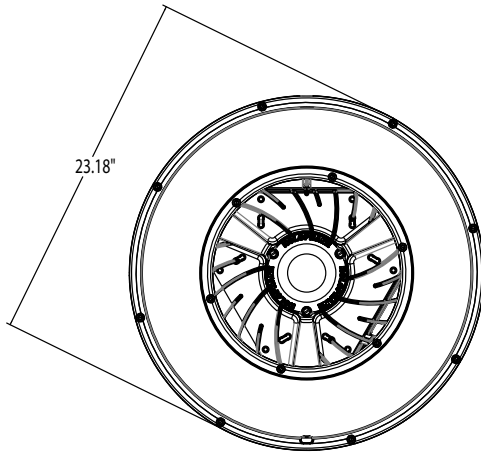
HOLO1 CRN Bottom



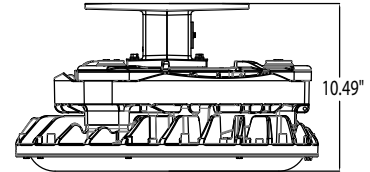
HOLO2 CRN Top
(HOLO1 CRN & HOLO2 CRN share the same mounting temp-late)



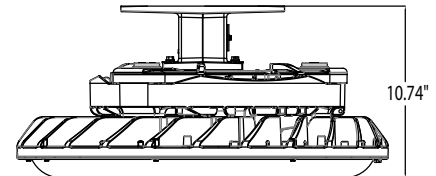
HOLO2 CRN Bottom



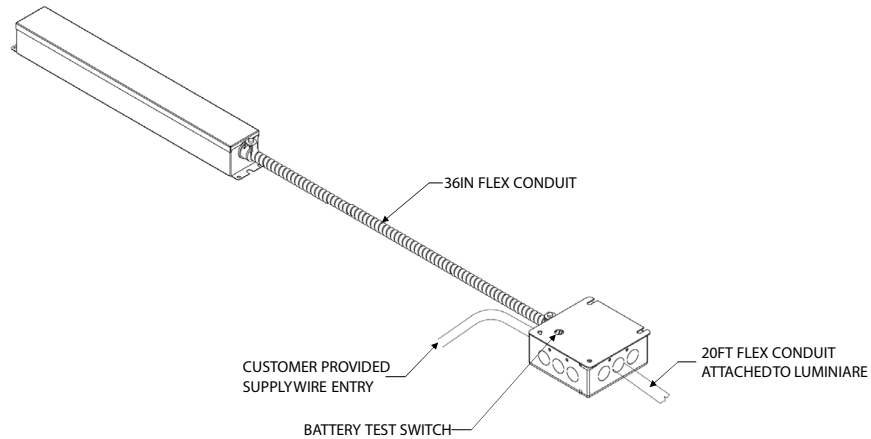
HOLO1 CRN Side



HOLO2 CRN Side



IE20WCPHER or IE30WCPHER Remote Batteries



EMBEDDED LUMINAIRE TECHNOLOGY GUIDE

Control Type	Sensor Nomenclature	Sensor Used		Out Of The Box Settings					Notes
				Unoccupied Time Until Dim	Dim to Off Time Delay	Occupied Dim Level	Unoccupied Dim Level	Daylighting Set Point	
Sensor Switch Embedded Controls	SBG10	SBG 10 EZ WH OV		5M	n/a	100%	0V	n/a	360° Low mount standalone embedded sensor (8-15ft), on/off occupancy
	SBG10 D 3V	SBG 10 EZ WH 3V		5M	n/a	100%	30%	n/a	360° Low mount standalone embedded sensor (8-15ft), occupancy controlled high/low dimming, 30% min dim level
	SBG10 P	SBG 10 EZ P WH OV 10M		10M	n/a	100%	0V	5FC	360° Low mount standalone embedded sensor (8-15ft), on/off photocell
	SBG6	SBG 6 EZ WH OV		5M	n/a	100%	0V	n/a	360° High mount standalone embedded sensor (15-30ft), on/off occupancy
	SBG6 D 3V	SBG 6 EZ WH 3V		5M	n/a	100%	30%	n/a	360° High mount standalone embedded sensor (15-30ft), occupancy controlled high/low dimming, 30% min dim level
	SBG6 P	SBG 6 EZ P WH OV 10M		10M	n/a	100%	0V	5FC	360° High mount standalone embedded sensor (15-30ft), on/off photocell
Sensor Switch Embedded Controls	SBG10 ER	SBG 10 EZ WH OV	ETS DR	5M	n/a	100%	0V	n/a	360° Low mount standalone embedded sensor (8-15ft), on/off occupancy, UL924 emergency operation, includes IOTA ETS DR, 5 conductor power input
	SBG10 D 3V ER	SBG 10 EZ WH 3V	ETS DR	5M	n/a	100%	30%	n/a	360° Low mount standalone embedded sensor (8-15ft), occupancy controlled high/low dimming, 30% min dim level, UL924 emergency operation, includes IOTA ETS DR, 5 conductor power input
	SBG10 P ER	SBG 10 EZ P WH OV 10M	ETS DR	10M	n/a	100%	0V	5FC	360° Low mount standalone embedded sensor (8-15ft), on/off photocell, UL924 emergency operation, includes IOTA ETS DR, 5 conductor power input
	SBG6 ER	SBG 6 EZ WH OV	ETS DR	5M	n/a	100%	0V	n/a	360° High mount standalone embedded sensor (15-30ft), on/off occupancy, UL924 emergency operation, includes IOTA ETS DR, 5 conductor power input
	SBG6 D 3V ER	SBG 6 EZ WH 3V	ETS DR	5M	n/a	100%	30%	n/a	360° High mount standalone embedded sensor (15-30ft), occupancy controlled high/low dimming, 30% min dim level, UL924 emergency operation, includes IOTA ETS DR, 5 conductor power input
	SBG6 P ER	SBG 6 EZ P WH OV 10M	ETS DR	10M	n/a	100%	0V	5FC	360° High mount standalone embedded sensor (15-30ft), on/off photocell, UL924 emergency operation, includes IOTA ETS DR, 5 conductor power input
Bluetooth® Embedded Controls	SBG10 OCC BTP	SBG10 BTP OCC		10M	n/a	10V	n/a	n/a	360° Low mount Bluetooth embedded sensor (7-15ft), on/off occupancy
	SBG10 HL BTP	SBG10 BTP HL		10M	2.5M	10V	10%	n/a	360° Low mount Bluetooth embedded sensor (7-15ft), high/low(off) occupancy dimming
	SBG10 ADC BTP	SBG10 BTP ADC		10M	2.5M	10V	10%	50FC	360° Low mount Bluetooth embedded sensor (7-15ft), on/off occupancy with auto dimming photocell
	SBG10 ANL BTP	SBG10 BTP ANL		10M	n/a	10V	10%	50FC	360° Low mount Bluetooth embedded sensor (7-15ft), high/low(off) occupancy dimming with auto dimming photocell
	SBG6 OCC BTP	SBG6 BTP OCC		10M	n/a	10V	n/a	n/a	360° High mount Bluetooth embedded sensor (15-45ft), on/off occupancy
	SBG6 HL BTP	SBG6 BTP HL		10M	2.5M	10V	10%	n/a	360° High mount Bluetooth embedded sensor (15-45ft), high/low(off) occupancy dimming
	SBG6 ADC BTP	SBG6 BTP ADC		10M	2.5M	10V	10%	50FC	360° High mount Bluetooth embedded sensor (15-45ft), on/off occupancy with auto dimming photocell
	SBG6 ANL BTP	SBG6 BTP ANL		10M	n/a	10V	10%	50FC	360° High mount Bluetooth embedded sensor (15-45ft), high/low(off) occupancy dimming with auto dimming photocell
Bluetooth® Embedded Controls	SBG10 OCC BTP ER	SBG10 BTP OCC	ETS DR	10M	n/a	10V	n/a	n/a	360° Low mount Bluetooth embedded sensor (7-15ft), on/off occupancy, UL924 emergency operation, includes IOTA ETS DR, 5 conductor power input
	SBG10 HL BTP ER	SBG10 BTP HL	ETS DR	10M	2.5M	10V	10%	n/a	360° Low mount Bluetooth embedded sensor (7-15ft), high/low(off) occupancy dimming, UL924 emergency operation, includes IOTA ETS DR, 5 conductor power input
	SBG10 ADC BTP ER	SBG10 BTP ADC	ETS DR	10M	2.5M	10V	10%	50FC	360° Low mount Bluetooth embedded sensor (7-15ft), on/off occupancy with auto dimming photocell, UL924 emergency operation, includes IOTA ETS DR, 5 conductor power input
	SBG10 ANL BTP ER	SBG10 BTP ANL	ETS DR	10M	n/a	10V	10%	50FC	360° Low mount Bluetooth embedded sensor (7-15ft), high/low(off) occupancy dimming with auto dimming photocell, UL924 emergency operation, includes IOTA ETS DR, 5 conductor power input
	SBG6 OCC BTP ER	SBG6 BTP OCC	ETS DR	10M	n/a	10V	n/a	n/a	360° High mount Bluetooth embedded sensor (15-45ft), on/off occupancy, includes IOTA ETS DR, 5 conductor power input
	SBG6 HL BTP ER	SBG6 BTP HL	ETS DR	10M	2.5M	10V	10%	n/a	360° High mount Bluetooth embedded sensor (15-45ft), high/low(off) occupancy dimming, UL924 emergency operation, includes IOTA ETS DR, 5 conductor power input
	SBG6 ADC BTP ER	SBG6 BTP ADC	ETS DR	10M	2.5M	10V	10%	50FC	360° High mount Bluetooth embedded sensor (15-45ft), on/off occupancy with auto dimming photocell, UL924 emergency operation, includes IOTA ETS DR, 5 conductor power input
	SBG6 ANL BTP ER	SBG6 BTP ANL	ETS DR	10M	n/a	10V	10%	50FC	360° High mount Bluetooth embedded sensor (15-45ft), high/low(off) occupancy dimming with auto dimming photocell, UL924 emergency operation, includes IOTA ETS DR, 5 conductor power input

EMBEDDED LUMINAIRE TECHNOLOGY GUIDE (cont.)

Control Type	Sensor Nomenclature	Sensor Used		Out Of The Box Settings					Notes
				Unoccupied Time Until Dim	Dim to Off Time Delay	Occupied Dim Level	Unoccupied Dim Level	Daylighting Set Point	
nLight Air Embedded Controls	NLTAIR2 APIR	RSBG 10 ZTS WH G2		7.5M	2.5M	100%	10%	50FC	360° Low mount nLight air embedded sensor (8-15ft), combined daylight and occupancy dimming, fully programmable with Clarity+ Pro app
	NLTAIR2 APIRM	RSBG 6 ZTS WH G2		7.5M	2.5M	100%	10%	50FC	360° High mount nLight air embedded sensor (15-30ft), combined daylight and occupancy dimming, fully programmable with Clarity+ Pro app
	NLTAIR2 APIRH	RSBG 40 ZTS WH G2		7.5M	2.5M	100%	10%	50FC	360° High bay nLight air embedded sensor (40ft), combined daylight and occupancy dimming, fully programmable with Clarity+ Pro app
	NLTAIREM2 APIR	RSBG 10 ZT EM WH G2		7.5M	2.5M	100%	10%	50FC	360° Low mount nLight air embedded sensor (8-15ft), combined daylight and occupancy dimming, fully programmable with Clarity+ Pro app, UL924 emergency operation, 3 conductor power input
	NLTAIREM2 APIRM	RSBG 6 ZT EM WH G2		7.5M	2.5M	100%	10%	50FC	360° High mount nLight air embedded sensor (15-30ft), combined daylight and occupancy dimming, fully programmable with Clarity+ Pro app, UL924 emergency operation, 3 conductor power input
	NLTAIREM2 APIRH	RSBG 40 ZT EM WH G2		7.5M	2.5M	100%	10%	50FC	360° High bay nLight air embedded sensor (40ft), combined daylight and occupancy dimming, fully programmable with Clarity+ Pro app, UL924 emergency operation, 3 conductor power input
	NLTAIRER2 APIR	RSBG 10 ZTS WH G2	ETS DR	7.5M	2.5M	100%	10%	50FC	360° Low mount nLight air embedded sensor (8-15ft), combined daylight and occupancy dimming, fully programmable with Clarity+ Pro app, UL924 emergency operation, includes IOTA ETS DR, 5 conductor power input
	NLTAIRER2 APIRM	RSBG 40 ZTS WH G2	ETS DR	7.5M	2.5M	100%	10%	50FC	360° High mount nLight air embedded sensor (15-30ft), combined daylight and occupancy dimming, fully programmable with Clarity+ Pro app, UL924 emergency operation, includes IOTA ETS DR, 5 conductor power input
	NLTAIRER2 APIRH	RSBG 40 ZTS WH G2	ETS DR	7.5M	2.5M	100%	10%	50FC	360° High bay nLight air embedded sensor (40ft), combined daylight and occupancy dimming, fully programmable with Clarity+ Pro app, UL924 emergency operation, includes IOTA ETS DR, 5 conductor power input
	NLTAIR2	RIO ZTS EXTDB ACWH 180D G2		n/a	n/a	80%	n/a	n/a	nLight air embedded network interface, fully programmable with Clarity+ Pro app
	NLTAIREM2	RIO ZT EM EXTDB ACWH 180D G2		n/a	n/a	80%	n/a	n/a	nLight air embedded network interface, fully programmable with Clarity+ Pro app, UL924 emergency operation, 3 conductor power input
	NLTAIRER2	RIO ZTS EXTDB ACWH 180D G2	ETS DR	n/a	n/a	80%	n/a	n/a	nLight air embedded network interface, fully programmable with Clarity+ Pro app, UL924 emergency operation, includes IOTA ETS DR, 5 conductor power input