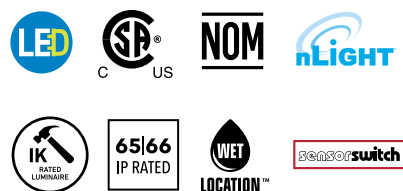


Catalog Number	
Notes	Type

HOLOBAY™

LED High Bay
Wet Location Listed
HOL02 (Large Optical)



Description

The low profile HOLOBAY™ LED is the next generation of robust round high bays for the most demanding environments. Designed with features and unmatched electrical, environmental and thermal ratings while providing superior efficiency, visual comfort, exceptional illumination and ease of installation.

Optics

- Prismatic borosilicate glass maintains the highest levels of luminosity over time.
- Glass doesn't fade, discolor, or otherwise degrade in harsh environments.
- Five distributions available to achieve results from any mounting height.
- Prismatic optics combined with high efficiency LEDs achieve maximum spacing and superior uniformity.
- Optional upright module provides 12-15% more output.
- Optics can be installed facing down or inverted (IVO)
- Certain airborne contaminants may adversely affect the functioning of LEDs and other electronic components, depending on various factors such as concentrations of the contaminants, ventilation, and temperature at the end-user location. [Click here for a list of substances that may not be suitable for interaction with LEDs and other electronic components.](#)

Mechanical

- Robust A380 cast aluminum housing with low copper content (3.5%) withstands hot and dirty environments.
- Super durable TGIC thermoset powder coat finish coupled with corrosion resistant primer is a five-stage pre-treating and painting process that yields over 5,000 hours salt rating per ASTM B117.
- Stainless steel hardware (410SS).
- Hinged electrical enclosure for easy access to components.
- Includes 3 additional 3/4" NPT hubs (uses A356.0-T6 aluminum plugs) for wiring access in addition to the center pendant opening.
- Standard non-silicone gasket (EPDM).

Installation

- Pendant Mount (PM, QD, NDT), 3/4" NPT hub
- Surface Mount (QD, NDT, YK90)
- Hook Mount (7 hook/loop options)
- Universal Power Hook (UPH/PHCB)
- Suspended Mount (Aircraft Cable: AC or ACSS)
- Wall Mount (072331, 072332)
- Twin Arm Mount (TA, HOLOTWINARM)
- Retrofit (NR, QR), existing QDH or NDT top required
- Suitable for use in uncovered outdoor applications. (installer responsible to ensure watertight connections)

Typical Applications

- | | |
|---------------------|---------------------|
| • Airplane Hanger | • Manufacturing |
| • Athletic Facility | • Natatorium |
| • Automotive | • Pulp & Paper Mill |
| • Foundry | • Retail |
| • Heavy Industrial | • Steel Mill |
| • Large Indoor | • Warehouse |

Electrical

- MVOLT (120-277V), Thermally protected, resetting, Class P, UL listed, CSA certified driver. (all lumen packages)
- HVOLT (347-480V) Thermally protected, resetting, Class P, UL Listed, CSA Certified driver. (10000LM only)
- XVOLT (277-480V) is a robust driver solution designed to assist with power quality issues and a dropped neutral in 277V input as derived from 480V Wye. (35000LM-90000LM only)
- Fault-tolerant LED light engine continues to provide light even in the failure of one LED.
- FCC Title 47, Part 15, Subpart A Compliant.
- 0-10V Dimming driver is standard, dims to 10%.
- 20 kV/10kA surge rated per ANSI C82.77-5-2015 is standard.
- Sulfur robust light engine is standard ‡

Listings

- CSA Certified to meet US and Canadian standards
- NOM Certified
- Suitable for use in wet locations
- -40°F (-40°C) to 158°F (70°C) ([see chart on page 6](#))
- 1G rated per ANSI C136.31
- IP65, IP66 rated per IEC60529
- NEMA 4X rated

Warranty

5-year limited warranty. This is the only warranty provided and no other statements in this specification sheet create any warranty of any kind. All other express and implied warranties are disclaimed. Complete warranty terms located at: www.acuitybrands.com/support/warranty/terms-and-conditions

NOTE: Actual performance may differ as a result of end-user environment and application. All values are design or typical values, measured under laboratory conditions at 25 °C.

‡ Upgraded LED boards with sulfur robust solution does not change the warranty and standard terms apply which will not cover any damage due to exposure from sulfur.

Dimensions: Inches (millimeters) unless otherwise noted.

Diameter: 23.2in (589.28mm)
Height: 7.5in (190.5mm)
Weight: 45lbs (20.41kg)
Pallet Size: 12 fixtures per pallet

ORDERING INFORMATION

Example: HOLO2 60000LM MD MVOLT 35K 80CRI PM NLTAIR2 HK646 DWHXD

Series	Lumens	Distribution	Voltage	Color Temperature	CRI	Mounting
HOLO2 Large Optical	35000LM 35,000 Nominal Lumens	AD Aisle Glass	MVOLT 120-277VAC, 50/60 Hz	30K 3000K CCT	70CRI 70 CRI	PM Pendant Mount
	40000LM 40,000 Nominal Lumens	ADFR Aisle Frosted Glass	120 120VAC, 50/60 Hz	35K 3500K CCT	80CRI 80 CRI	QD Quick Disconnect †
	45000LM 45,000 Nominal Lumens	FD Focus Glass	208 208VAC, 50/60 Hz	40K 4000K CCT	90CRI 90 CRI	QR Quick Disconnect Retrofit †
	50000LM 50,000 Nominal Lumens	FDFR Focus Frosted Glass	240 240VAC, 50/60 Hz	50K 5000K CCT		NDT Non-Disconnect Thru-Wire †
	60000LM 60,000 Nominal Lumens	FSMG Focus Smooth Glass	277 277VAC, 50/60 Hz			NR Non-Disconnect Thru-Wire Retrofit †
	70000LM 70,000 Nominal Lumens	MD Medium Glass	HVOLT 347-480VAC, 50/60 Hz †			YK90 Yoke Mount (3045S)
	80000LM 80,000 Nominal Lumens	MDFR Medium Frosted Glass	347 347VAC, 50/60Hz †			
	90000LM 90,000 Nominal Lumens	ND Narrow Glass	480 480VAC, 50/60 Hz †			
	90000LM 90,000 Nominal Lumens	NDFR Narrow Frosted Glass	XVOLT 277-480VAC, 50/60 Hz †			
	100000LM 100,000 Nominal Lumens †	WD Wide Glass	277X 277VAC, 50/60 Hz †			
	WDFR Wide Frosted Glass	347X 347VAC, 50/60 Hz †				
			480X 480VAC, 50/60 Hz †			
			125VDC 125V, DC Driver †			
			250VDC 250V, DC Driver †			

Options			Primary Finish	
<p>Emergency:</p> <p>ETS Emergency lighting control device for UL924 operation when using auxiliary generator or central inverter †</p> <p>IE20WCPHER 20W Emergency battery pack, constant power, Certified in CA Title 20 MAEDBS, UL924 compliant, self-diagnostic, (0°), remote mounted, damp location (120-480V) †</p> <p>IE30WCPHER 30W Emergency battery pack, constant power, Certified in CA Title 20 MAEDBS, UL924 compliant, self-diagnostic, (0°), remote mounted, damp location (120-480V) †</p> <p>EMR Red emergency indicator, center cover plate painted red</p> <p>2470P 24/7 Operation with emergency battery and 3 conductor cord or plug †</p> <p>Surge Protection: †</p> <p>(blank) Standard 20kV/10kA surge protection based on voltage selected (120-480V)</p> <p>Sensor Switch Embedded Controls:</p> <p>SBG6 360° High Mount Sensor, (15-30' mounting heights, more options available), on/off occupancy</p> <p>SBG10 OCC BTP 360° Low Mount Sensor, (8-15' mounting heights, more options available), on/off occupancy, utilizes smart hub for Bluetooth® programmability †</p> <p>See chart for additional control options</p> <p>nLight® Embedded Controls:</p> <p>NLTAIR2 Embedded wireless controls by nLight</p> <p>NLTAIREM2 Embedded wireless controls by nLight with UL924 listed emergency operation</p> <p>NLTAIRER2 Embedded wireless controls by nLight with UL924 listed emergency operation via power sense leads</p> <p>NLTAIR2 APIR Embedded wireless controls by nLight, Passive Infrared Occ sensor with auto-dimming photocell</p> <p>NLTAIREM2 APIR Embedded wireless controls by nLight with UL924 listed emergency operation, Passive Infrared Occ sensor with auto-dimming photocell</p> <p>NLTAIRER2 APIR Embedded wireless controls by nLight with UL924 listed emergency operation via power sense leads, Passive Infrared Occ sensor with auto-dimming photocell</p> <p>See chart for additional control options</p>	<p>Cord Sets:</p> <p>CNP16W Cord, no plug, 16 gauge, 3 conductors, white, 6 feet, other lengths available</p> <p>CNP16WWL Cord, no plug, 16 gauge, 3 conductors, white, 6 feet, other lengths available</p> <p>CNP164CW Cord, no plug, 16 gauge, 4 conductors for use with EM battery, white, 6 feet, other lengths available †</p> <p>CNP164CWWL Cord, no plug, 16 gauge, 4 conductors for use with EM battery, white, 6 feet, other lengths available †</p> <p>CNP165CW Cord, no plug, 16 gauge, 5 conductors for use with ER controls or ETS device with 2 power sources, white, 6 feet, other lengths available †</p> <p>CNP165CWWL Cord, no plug, 16 gauge, 5 conductors for use with ER controls or ETS device with 2 power sources, white, 6 feet, other lengths available †</p> <p>CNP165CDW Cord, no plug, 16 gauge, 5 conductors for 0-10V dimming, white, 6 feet, other lengths available †</p> <p>CNP165CDWWL Cord, no plug, 16 gauge, 5 conductors for 0-10V dimming, white, 6 feet, other lengths available †</p> <p>CPTL16W Cord with NEMA twist lock 15 amp plug, 16 gauge, white, damp location, 6 feet, other lengths available</p> <p>CPTL16WWL Cord with NEMA twist lock 15 amp plug, 16 gauge, white, wet location, 6 feet, other lengths available</p> <p>CPTL20A16W Cord with NEMA twist lock 20 amp plug, 16 gauge, white, damp location, 6 feet, other lengths available</p> <p>CPTL20A16WWL Cord with NEMA twist lock 20 amp plug, 16 gauge, white, wet location, 6 feet, other lengths available</p> <p>CPSB16W Cord with NEMA straight blade 15 amp plug, white, damp location, 6 feet, other lengths available</p> <p>CMCMBH16YWL Cord with Brad Mini Change® male connector, non-metallic coupling nut, 3 pole, 16 gauge, yellow, wet location, 6 feet, other lengths available †</p> <p>MCRMBH16WL Receptacle with Brad Mini Change® male connector, stainless steel coupling nut, 3 pole, 16 gauge leads, wet location</p> <p>See chart for additional cordset options</p> <p>Reloc®:</p> <p>OCS Reloc® One Pass® circuit selector system drop, 18 gauge, 3 conductors, dry location, 6 feet, other lengths available †</p> <p>OCS4C Reloc® One Pass® circuit selector system drop, 18-gauge, 4 conductors, for use with EM battery, dry location, 6 feet, other lengths available †</p> <p>See chart for additional Reloc® options</p> <p>Accessory Mounting Options:</p> <p>AC120 Galvanized aircraft cable, 120in or 10ft long, other lengths available (ships as pair) †</p> <p>ACSS240 316L Stainless steel aircraft cable, 240in or 20ft long, other lengths available (ships as pair) †</p> <p>072331 Wall mount arm for a single luminaire †</p> <p>072332 Wall mount arm for two luminaires †</p> <p>H72 3/4" Stem, 72in or 6ft long, other lengths available †</p> <p>TA Twin arm †</p> <p>See chart for additional accessory mounting options</p>	<p>Universal Power Hook Cordsets and Hangers:</p> <p>PHCB Cord, plug and loop assembly for use with UPH power hooks (120-347V) †</p> <p>PHCBL8480 Cord, plug and loop assembly for use with UPH power hooks (480V) †</p> <p>UPH35 Universal power hook for use with PHCB assembly, thru-wire surface mount †</p> <p>UPH36 Universal power hook for use with PHCB assembly, 3/4" pendant mount †</p> <p>Hooks and Loops: †</p> <p>HK646 Wet location solid hook, 3/4" male (PF-646), zinc plated iron †</p> <p>HK646SS Wet location solid hook, 3/4" male (PF-646SS), 316 stainless steel †</p> <p>HKM455 Damp location safety hook, 3/4" male (PF-455), aluminum</p> <p>HKMAR Damp location anti-rotational hook, 3/4" male (PF-129), zinc plated iron</p> <p>HKMD Damp location safety hook, 3/4" male (PF-121-A), zinc plated iron</p> <p>HKMW Wet location gasketed hook, 3/4" male (PF-291), zinc plated iron</p> <p>LPMD Damp location loop, 3/4" male (PF-105), zinc plated iron</p> <p>Other Options:</p> <p>2PA Safety chain factory attached to two points on the luminaire †</p> <p>AO Adjustable output dimming †</p> <p>DL Damp Location †</p> <p>DRYLBL Dry Location †</p> <p>IVO Inverted optical assembly †</p> <p>SCSS72 18-8 Stainless steel double loop safety chain, factory installed, 72in or 6ft long, other lengths available †</p> <p>UPL Uplight †</p> <p>WGX Factory installed zinc plated wire guard</p> <p>WGXSS Stainless steel wire guard †</p>	<p>DBXD Super durable corrosion resistant black</p> <p>DGXD Super durable corrosion resistant grey</p> <p>DWHXD Super durable corrosion resistant white</p> <p>DNXD Super durable corrosion resistant satin nickel</p> <p>DGRXD Super durable corrosion resistant graphite</p>	

SEE NEXT PAGE FOR ACCESSORIES

Option Value Ordering Restrictions & Notes †	
Option value	Restriction
072331, 072332	Finish will match luminaire. Shipped separately. Not available with yoke mount (YK90), stem (H72), any cordset that includes a plug (CPTL16, CPTL20A16, CPSB16, CMCMBH16YWL, MCRMBH16WL), modular wiring (OCS, OCS4C), UPH cordset (PHCB, PHCBL8480) or a hook or loop (HK646, HK646SS, HKM455, HKMAR, HKMD, HKMW, LPMD), aircraft cable (AC, ACSS), twin arm, (TA).
100000LM	Available with MVOLT, 120, 208, 240, 277 only.
125VDC, 250VDC	Not available with 100000LM, SBG BTP sensors, ETS, ER controls, EM batteries (IE20WCPHER, IE30WCPHER), Uplight (UPL).
2470P	Required when an EM battery and a 3 conductor cordset or RELOC cable or QD, QR mounting or PHCB UPH cordset is selected. The driver and EM battery power inputs will be tied together and the fixture will not be able to be turned off without controls. When ordered with a cordset that includes a plug, the max cord length will be 3 feet.
277X, 347X, 480X	Not available with 100000LM.
347, 480	Available with 100000LM only. Not available with any controls.
2PA	Requires SCSS option called out. 2PA = second point of attachment and SCSS = overall length of the safety chain. Example: SCSS72 2PA = 72in or 6ft of SS safety chain attached to two points on the luminaire.
AC120	Available in 120 or 240 inch lengths. Can be shortened in the field as necessary. Example: AC240 = 240in or 20ft long. Not available with wall mount arm (072331, 072332), UPH cordsets (PHCB, PHCBL8480), yoke mount (YK90), Stem (H72) or twin arm (TA). 18" legs are standard on the Y assembly.
ACSS240	Available in 120 or 240 inch lengths. Can be shortened in the field as necessary. Example: ACSS120 = 120in or 10ft long. Not available with UPH cordsets (PHCB, PHCBL8480), yoke mount (YK90), stem (H72) or twin arm (TA). 18" legs are standard on the Y assembly.
AO	Not available with Sensor Switch embedded dimming controls, nLight embedded controls, 5 conductor dual voltage (CNP165C) or 5 conductor dimming (CNP165CD) cordsets. Available with non-dimming Sensor Switch embedded controls (SBG6 or SBG10; occupancy only).
CMCMBH16YWL	Available in 6 or 12 feet lengths.
CNP164CW, CNP164CWWL	Available with EM battery only (IE20WCPHER, IE30WCPHER).
CNP165CDW, CNP165CDWWL	Not available with EM Batteries (IE20WCPHER, IE30WCPHER), ETS, AO, Sensor Switch embedded dimming controls, nLight embedded controls. Available with non-dimming Sensor Switch embedded controls (SBG6 or SBG10; occupancy only).
CNP165CW, CNP165CWWL	Available with ETS or ER controls only.
DL	Used to indicate when an external damp rated option is selected such as a plug, battery, hook, or other misc option. The luminaire will include a wet location label unless a damp rated option is selected. A wet location rated fixture is suitable for use in a damp application.
DRYLBL	Used to indicate when a dry location rated RELOC cable is selected. The luminaire will include a wet location label unless RELOC is selected. A wet location rated fixture is suitable for use in a dry application.
ETS	Not available with EM batteries (IE20WCPHER, IE30WCPHER), EM or ER controls, QD, QR mounting, Reloc (OCS, OCS4C), UPH Cordset (PHCB, PHCBL8480). 120-277V only. Available with a 5 conductor dual voltage cordset (CNP165C), but not required. For 35000LM-60000LM, an IOTA ETS DR will be used and a base fixture will be wet location rated. For 70000LM-100000LM, an IOTA ETS 20 DR will be externally mounted and the fixture will be damp location rated.
H72	Damp location rated. Finish will match luminaire. Available in 18, 24, 36, 48, 60, 72, 96 inch lengths. Shipped separately as STEM H72. Requires PM, QD or NDT mounting. Not available with aircraft cable (AC, ACSS), twin arm (TA), YK90, any cordset that includes a plug (CPTL16, CPTL20A16, CPSB16, CMCMBH16YWL, MCRMBH16WL), modular wiring (OCS, OCS4C), UPH cordsets (PHCB, PHCBL8480) or a hook or loop (HK646, HK646SS, HKM455, HKMAR, HKMD, HKMW, LPMD).
HK646, HK646SS	Solid hook and no opening available for cord or input wiring. Input wiring or cordset will need to be routed to extra opening on top of the electrical enclosure. PM only. Not available with quick disconnect (QD, QR) non-disconnect thru-wire (NDT, NR) or yoke mount (YK90).
HVOLT	Available with 100000LM only. Not available with any controls.
Hooks and Loops	Available for field or factory installation. PM mounting required. Field and factory installable hooks and loops share the same nomenclature. Example: HKMAR. This can be ordered as factory installed by including in the fixture nomenclature or can be ordered separately. All hooks and loops shown require a 3/4" threaded opening.
IE20WCPHER	Remote mounted and damp location rated. Available with all lumen packages. Available with 120-480V. Available with 4 conductor (CNP164C) cordsets. Also available with 3 conductor (CNP16) cordsets or a cordset with a plug (CPTL16, CPTL20A16). Plug requires 2470P option with a max length of 3ft. Test switch and supply power input located in a remote junction box between battery and luminaire. Utilizes IOTA ILBLP CP20 HE SD HV S for 120-277V and IOTA ILBHI CP20 HE SD HV S for 347-480V batteries.
IE30WCPHER	Remote mounted and damp location rated. Available with all lumen packages. Available with 120-480V. Available with 4 conductor (CNP164C) cordsets. Also available with 3 conductor (CNP16) cordsets or a cordset with a plug (CPTL16, CPTL20A16). Plug requires 2470P option with a max length of 3ft. Test switch and supply power input located in a remote junction box between battery and luminaire. Utilizes IOTA ILBLP CP30 HE SD HV S for 120-277V and IOTA ILBHI CP30 HE SD HV S for 347-480V batteries.
IVO	Not available with adjustable output (AO) or any controls (sensor switch embedded controls: SBG, nLight embedded controls: NLTAIR2).
NDT	Damp location rated. The NDT (non-disconnect thru-wiring) system is made up of 2 parts. The top portion is removable and is meant to be installed in the ceiling. The bottom portion is factory installed to the fixture. The 2 part junction box used on top of the fixture will be empty. Not available with twin arm (TA), hooks and loops (HK646, HK646SS, HKM455, HKMAR, HKMD, HKMW, LPMD), UPH cordsets (PHCB, PHCBL8480), modular wiring (OCS, OCS4C) or any other cordset.
NR	Damp location rated. Ordering this option assumes the top portion of the NDT option is already installed. This is for retrofit applications only. Not available with wall mount arm (072331, 072332), stems (H72), twin arm (TA), a hook or loop (HK646, HK646SS, HKM455, HKMAR, HKMD, HKMW, LPMD), UPH cordsets (PHCB, PHCBL8480), modular wiring (OCS, OCS4C) or any other cordset.
OCS	Available in 6, 10, 15, 20, 25 feet lengths. Example: OCS10FT = 10ft long. Dry location rated. Not available with quick disconnect (QD, QR) non-disconnect thru-wire (NDT, NR), wall mount arm (072331, 072332), stems (H72), or ETS and ER controls. Must Specify voltage.
OCS4C	Available in 6, 10, 15, 20, 25 feet lengths. Example OCS4C20FT = 20ft long. Dry location rated. Available with EM batteries (IE07WCPHECW, IE18WCPHECW, IE20WCPHER, IE30WCPHER) only. Not available with quick disconnect (QD, QR) non-disconnect thru-wire (NDT, NR), wall mount arm (072331), stems (H72), or ETS and ER controls. Available with 120 or 277V only.
PHCB	Damp location rated. Must specify voltage. UPH accessory required. Includes 2ft long, 16 gauge cord, non NEMA twist lock plug and LPMD loop. Not available with wall mount arm (072331, 072332), aircraft cable (AC120, ACSS240), ETS or ER controls, stem (H72), a hook or loop (HK646, HK646SS, HKM455, HKMAR, HKMD, HKMW, LPMD), quick disconnect (QD, QR) non-disconnect thru-wire (NDT, NR), yoke mount (YK90), modular wiring (OCS, OCS4C) or any other cordset.
PHCBL8480	Damp location rated. Available with 480V only. UPH accessory required. Includes 2ft long, 16 gauge cord, NEMA L8-15P twist lock plug and LPMD loop. Not available with wall mount arm (072331, 072332), aircraft cable (AC120, ACSS240), ETS or ER controls, stem (H72), a hook or loop (HK646, HK646SS, HKM455, HKMAR, HKMD, HKMW, LPMD), quick disconnect (QD, QR) non-disconnect thru-wire (NDT, NR), yoke mount (YK90), modular wiring (OCS, OCS4C) or any other cordset.
QD	Damp location rated. The QD (quick disconnect) system is made up of 2 parts. The top portion "QDH" ships separately to be installed in the ceiling. The Bottom portion is factory installed to the fixture. The 2 part quick disconnect will include components to allow voltage to pass between the top and bottom portions. Not available with twin arm (TA), hooks and loops (HK646, HK646SS, HKM455, HKMAR, HKMD, HKMW, LPMD), UPH cordsets (PHCB, PHCBL8480), modular wiring (OCS, OCS4C) or any other cordset.
QR	Damp location rated. Ordering this option assumes the top portion of the QD option (QDH) is already installed. This is for retrofit applications only. Not available with wall mount arm (072331, 072332), stems (H72), twin arm (TA), hooks and loops (HK646, HK646SS, HKM455, HKMAR, HKMD, HKMW, LPMD), UPH cordsets (PHCB, PHCBL8480), modular wiring (OCS, OCS4C) or any other cordset.
SBG10 OCC BTP	Not available with 125VDC or 250VDC (any lumen package) or 70000LM-100000LM (any voltage).
SCSS72	Available in 36, 72, 120, 144 and 240 inch lengths. Example: SCSS120 = 120in or 10ft long.
Surge Protection	20kV/10kA will not be specified in the nomenclature.
TA	Damp location rated. Twin arm allows for 2 luminaires to be mounted to a single hook. Will break out with (2) PM luminaires with 3' cords, (1) twin arm and (1) hook or loop. To be assembled in the field. Not available with aircraft cable (AC120, ACSS120), wall mount arm (072331, 072332), stems (H72), any cordset that includes a plug (CPTL16, CPTL20A16, CPSB16, CMCMBH16YWL, MCRMBH16WL), yoke mount (YK90), quick disconnect (QD, QR), non-disconnect thru-wire (NDT, NR).
UPH35, UPH36	Damp location rated. Must specify voltage. PHCB option required. Not available with wall mount arm (072331, 072332), aircraft cable (AC120, ACSS240), ETS or ER controls, stem (H72), a hook or loop (HK646, HK646SS, HKM455, HKMAR, HKMD, HKMW, LPMD), quick disconnect (QD, QR) non-disconnect thru-wire (NDT, NR), yoke mount (YK90), modular wiring (OCS, OCS4C) or any other cordset.
UPL	Damp location rated. 120-277V only. Not available with 125VDC or 250VDC (any lumen package) or 70000LM-100000LM (any voltage). Not available with any controls (sensor switch embedded controls: SBG, nLight embedded controls: NLTAIR2).
XVOLT	Not available with 100000LM.
WGXSS	Ships separately for field installation.

ADDITIONAL CORDSET OPTIONS

Plug Option	Plug Type	Amperage	Gauge	# of conductors	Color	Location	Length
CNP Cord only	(blank) No plug option (for cord only option)	(blank) 15 amps	16 16 gauge	(blank) 3 conductors	(blank) Black	(blank) Damp	(blank) 6 feet
CP Cord with plug		20A 20 amps		4C 4 conductors (for use with EM battery)	W White Y Yellow ‡	WL Wet ‡	3FT 3 feet 10FT 10 feet 12FT 12 feet
CMC Cord with mini change Plug ‡	TL Twist lock SB Straight blade ‡			5C 5 conductors (for use with ETS or ER controls)			15FT 15 feet 20FT 20 feet 25FT 25 feet
RMC Mini change receptacle	MBH Male Brad Harrison			5CD 5 conductors (for use with 0-10V dimming)			30FT 30 feet

Notes ‡	
CMC	Available in 6ft or 12ft lengths only.
SB	Not available with WL.
WL	Not available with SB.
Y	Available with CMC or RMC only.

NEMA PLUG CONFIGURATIONS

Voltage	Straight Blade	15A Twist Lock	20A Twist Lock
MVOLT	NA	NA	NA
120	5-15P	L5-15P	L5-20P
208	NA	L6-15P	L6-20P
240	NA	L6-15P	L6-20P
277	7-15P	L7-15P	L7-20P
HVOLT	NA	NA	NA
347	NA	NA	L24-20P
480	NA	NA	L8-20P
XVOLT	NA	NA	NA
277X	NA	L7-15P	L7-20P
347X	NA	NA	L24-20P
480X	NA	NA	L8-20P



Example: OCS10

Part Number	Length
OCS (3) 18 AWG conductors, including ground	(blank) 6 feet
OCS4C (4) 18 AWG conductors, including ground, for use with EM batteries	10 10 feet 15 15 feet 20 20 feet 25 25 feet

ACCESSORIES

AIRCRAFT CABLE OPTIONS Example: HOLOAC 72IN

Part Number	Length
HOLOAC ‡ Galvanized aircraft cable	120IN 120in or 10ft
HOLOACSS ‡ 316L Stainless steel aircraft cable	240IN 240in or 20ft

WALL MOUNT ARM OPTIONS Example: 072331 DGXD CR

Series	Finish	Primer
072331 ‡ (1) luminaire	DBXD Super durable black	CR Corrosion Resistant
072332 ‡ (2) luminaires	DGXD Super durable grey DWHXD Super durable white DNXD Super durable satin nickel DGRXD Super durable graphite	

STEM OPTIONS Example: STEM H48 DWHXD CR

Series	Length	Finish	Primer
STEM ‡	H18 18in or 1.5ft, 3/4" stem H36 36in or 3ft, 3/4" stem H48 48in or 4ft, 3/4" stem H60 60in or 5ft, 3/4" stem H72 72in or 6ft, 3/4" stem H96 96in or 8ft, 3/4" stem	DBXD Super durable black DGXD Super durable grey DWHXD Super durable white DNXD Super durable satin nickel DGRXD Super durable graphite	CR Corrosion Resistant

ACCESSORY HOOK & LOOP OPTIONS

Part Number	Description
HK646	Wet location solid hook, 3/4" male (PF646), zinc plated iron
HK646SS	Wet location solid hook, 3/4" male (PF646SS), 316 stainless steel
HKFD	Damp Location safety hook, 3/4" female, (PF-122-A), zinc plated iron
HKMAR	Damp location anti-rotational hook, 3/4" male (PF-129), zinc plated iron
HKMD	Damp location safety hook, 3/4" male (PF-121-A), zinc plated iron
HKMW	Wet location gasketed hook, 3/4" male (PF-291), zinc plated iron
LPFD	Damp Location loop, 3/4" female, (PF-116-A), zinc plated iron
LPMD	Damp location loop, 3/4" male (PF-105), zinc plated iron

TWIN ARM OPTIONS Example: HOLOTWINARM DNXD CR

Series	Finish	Primer
TWINARM ‡	DBXD Super durable black DGXD Super durable grey DWHXD Super durable white DNXD Super durable satin nickel DGRXD Super durable graphite	CR Corrosion Resistant

QDH ACCESSORY OPTIONS Example: QDH DBXD CR

Series	Finish	Primer
QDH ‡	DBXD Super durable black DGXD Super durable grey DWHXD Super durable white DNXD Super durable satin nickel DGRXD Super durable graphite	CR Corrosion Resistant

UNIVERSAL POWER HOOK OPTIONS Example: UPH 35SM 277 DWHXD CR

Series	Mounting	Voltage	Finish	Primer
UPH ‡	35SM Surface 36SM Pendant	120 120V 208 208V 240 240V 277 277V 347 347V L8480 480V	DWHXD Super durable white	CR Corrosion Resistant

SAFETY CHAIN OPTIONS Example: HOLOCHAINSS 120IN

Series	Length
HOLOCHAINSS	36IN 36in or 3ft of 18-8 SS double loop chain 72IN 72in or 6ft of 18-8 SS double loop chain 120IN 120in or 10ft of 18-8 SS double loop chain 144IN 144in or 12ft of 18-8 SS double loop chain 240IN 240in or 20ft of 18-8 SS double loop chain

MISCELLANEOUS ACCESSORIES

Part Number	Description
HOLO2WG	Galvanized wire guard accessory (large)
HOLO2WGSS	Stainless steel wire guard accessory (large)
PHCB ‡	Cord, plug and loop assembly for use with UPH power hooks (120-347V)
PHCBL8480 ‡	Cord, plug and loop assembly for use with UPH power hooks (480V)
HCMCFBH16YWL	Cord with Brad Mini Change® female connector, stainless steel coupling nut, 3 pole, 16 gauge, yellow, wet location, 6 feet, for use with the MCRMBH16WL receptacle
HMCRFBH16WL	Receptacle with Brad Mini Change® female connector, nonmetallic coupling nut, 3 pole, 16 gauge leads, wet location, for use with CMCMBH16YWL and CMCMBH16YWL12FT cordsets

Notes ‡	
072331, 072332	Shipped separately. Requires PM mounting. Not available with any cordset that includes a plug (CPTL16, CPTL20A16, CPSB16, CMCMBH16YWL, MCRMBH16WL), modular wiring (OCS, OCS4C), UPH cordset (PHCB, PHCBL8480) or a hook or loop (HK646, HK646SS, HKM455, HKMAR, HKMD, HKMW, LPMD).
HOLOAC, HOLOACSS	Can be shortened in the field as necessary. Not available with yoke mount (YK90), twin arm (TA) or wall mount arm (072331, 072332). 18" legs are standard on the Y assembly.
TWINARM	Damp Location Rated. Requires PM mounting. Twin arm allows for 2 luminaires to be mounted with a single hook. Not available with aircraft cable (HOLOAC, HOLOACSS), wall mount arm (072331, 072332), stems (STEM HXX), any cordset that includes a plug (CPTL16, CPTL20A16, CPSB16, CMCMBH16YWL, MCRMBH16WL), yoke mount (YK90), quick disconnect (QD, QR), non-disconnect thru-wire (NDT, NR).
PHCB	Damp location rated. Must specify voltage. UPH accessory required. Includes 2ft long, 16 gauge cord, non NEMA twist lock plug and LPMD loop.
PHCBL8480	Damp location rated. Must specify voltage. UPH accessory required. Includes 2ft long, 16 gauge cord, NEMA L8-20P twist lock plug and LPMD loop.
STEM	Available with 480V only. Damp location rated. Requires PM, QD or NDT mounting.
QDH	For replacement only, ships standard with QD mounting option.
UPH	Damp location rated. Requires PHCB or PHCBL8480 option. Must Specify voltage. 120-347V uses a non-NEMA twist lock, L8480 utilizes a L8-20P receptacle.

ADJUSTABLE OUTPUT PERFORMANCE

AO Position	Lumen Output	Wattage
1	19%	19%
2	29%	27%
3	42%	40%
4	55%	53%
5	70%	68%
6	81%	79%
7	95%	94%
8	100%	100%

EMERGENCY LUMEN PERFORMANCE

Option	Approximate Luminaire Efficacy	1 Minute	45 Minutes	90 Minutes
IE20WCPHER	100 LPW	2000	2000	2000
	110 LPW	2200	2200	2200
	120 LPW	2400	2400	2400
	130 LPW	2600	2600	2600
	140 LPW	2800	2800	2800
	150 LPW	3000	3000	3000
IE30WCPHER	100 LPW	3000	3000	3000
	110 LPW	3300	3300	3300
	120 LPW	3600	3600	3600
	130 LPW	3900	3900	3900
	140 LPW	4200	4200	4200
	150 LPW	4500	4500	4500

How to Estimate Delivered Lumens in Emergency Mode
 Use the formula below to estimate the delivered lumens in emergency mode
Delivered Lumens = P x LPW
 P = Output power of emergency driver
 LPW = Lumen per watt rating of the luminaire. (See charts on pages 7)
 The LPW rating is also available at [Designlight Consortium](#)
 P = 20 watts for IE20WCPHER
 P = 30 watts for IE30WCPHER

AMBIENT TEMPERATURE

Configuration	Size	35,000LM (°C)	40,000LM (°C)	45,000LM (°C)	50,000LM (°C)	60,000LM (°C)	70,000LM (°C)	80,000LM (°C)	90,000LM (°C)	100,000LM (°C)
Base	Large Optical, Large Electrical	75	70	65	65	65	65	55	55	55
Base w/ Controls	Large Optical, Large Electrical	65	65	60	60	65	55	55	55	55
REM Option (Optical Only) ‡	Large Optical, Large Electrical, Remote Enclosure	75	75	70	70	70	65	55	55	55
w/ Remote Battery 20/30W †	Any	0 to 55	0 to 55	0 to 55	0 to 55	0 to 55	0 to 55	0 to 55	0 to 55	0 to 55
YK90 Mounting Option	Any	-5	-5	-5	-5	-5	-5	-5	-5	-5
IVO Mounting Option	Any	-10	-10	-10	-10	-10	-10	-10	-10	-10

Notes: †	
Configuration	Minimum Ambient is -40°C unless indicated.
IVO Mounting Option	Temperature reduction when applied to Base, Base w/ Controls or REM Option (Optical Only).
REM Option (Optical Only)	Ambient temps for LEDs only. REM option required. See HOLOBAY™ Remote Mount Spec Sheet . Electrical enclosure will be rated same as Base ambient.
w/ External Battery 20/30W	When a remote battery is paired with any of the above configurations, the ambient temperature is the lower of the two numbers.
YK90 Mounting Option	Temperature reduction when applied to Base, Base w/ Controls or REM Option (Optical Only).

OPERATING CHARACTERISTICS

Nominal Lumens	Distribution	Input Watts †	70CRI				80CRI				90CRI				
			30K	35K	40K	50K	30K	35K	40K	50K	30K	35K	40K	50K	
35000LM	AD	202	34351	35539	36628	36628	31777	32173	33558	33856	23775	24851	25732	27982	Lumens
			170	176	181	181	157	159	166	167	118	123	127	138	LPW
	ADFR		29580	30604	31541	31541	27363	27706	28899	29154	20473	21400	22158	24096	Lumens
			146	151	156	156	135	137	143	144	101	106	110	119	LPW
	FD		33598	34760	35824	35824	31080	31467	32823	33113	23253	24306	25168	27368	Lumens
			166	172	177	177	154	156	162	164	115	120	125	135	LPW
	FDFR		29520	30540	31476	31476	27307	27648	28839	29094	20430	21355	22112	24046	Lumens
			146	151	156	156	135	137	143	144	101	106	109	119	LPW
	FSMG		33595	34757	35822	35822	31078	31465	32821	33111	23252	24305	25165	27366	Lumens
			166	172	177	177	154	156	162	164	115	120	124	135	LPW
	MD		36479	37740	38898	38898	33747	34166	35639	35953	25247	26390	27327	29716	Lumens
			180	187	192	192	167	169	176	178	125	131	135	147	LPW
	MDFR		31044	32118	33102	33102	28718	29077	30328	30596	21486	22459	23254	25289	Lumens
			154	159	164	164	142	144	150	151	106	111	115	125	LPW
	ND		34580	35776	36872	36872	31990	32388	33783	34081	23934	25017	25903	28169	Lumens
			171	177	182	182	158	160	167	169	118	124	128	139	LPW
	NDFR		31582	32674	33675	33675	29218	29580	30854	31127	21858	22848	23657	25726	Lumens
			156	162	167	167	145	146	153	154	108	113	117	127	LPW
	WD		36047	37291	38434	38434	33345	33760	35213	35524	24948	26077	27001	29361	Lumens
			178	184	190	190	165	167	174	176	123	129	134	145	LPW
WDFR	32283	33399	34422	34422	29863	30236	31538	31817	22344	23355	24182	26297	Lumens		
	160	165	170	170	148	150	156	157	111	116	120	130	LPW		

Nominal Lumens	Distribution	Input Watts †	70CRI				80CRI				90CRI				
			30K	35K	40K	50K	30K	35K	40K	50K	30K	35K	40K	50K	
40000LM	AD	238	39712	41086	42345	42345	36737	37195	38797	39140	27485	28730	29748	32349	Lumens
			167	173	178	178	154	156	163	164	115	121	125	136	LPW
	ADFR		34198	35380	36464	36464	31635	32030	33409	33705	23669	24740	25617	27858	Lumens
			144	149	153	153	133	135	140	142	99	104	108	117	LPW
	FD		38842	40185	41416	41416	35931	36379	37947	38282	26883	28099	29096	31640	Lumens
			163	169	174	174	151	153	159	161	113	118	122	133	LPW
	FDFR		34127	35306	36389	36389	31570	31964	33340	33635	23620	24689	25563	27800	Lumens
			143	148	153	153	133	134	140	141	99	104	107	117	LPW
	FSMG		38839	40182	41414	41414	35929	36377	37944	38280	26881	28098	29094	31638	Lumens
			163	169	174	174	151	153	159	161	113	118	122	133	LPW
	MD		42174	43632	44969	44969	39014	39500	41202	41566	29190	30510	31591	34354	Lumens
			177	183	189	189	164	166	173	175	123	128	133	144	LPW
	MDFR		35890	37131	38269	38269	33201	33614	35063	35373	24840	25964	26885	29236	Lumens
			151	156	161	161	140	141	147	149	104	109	113	123	LPW
	ND		39978	41360	42627	42627	36982	37443	39057	39402	27669	28922	29947	32565	Lumens
			168	174	179	179	155	157	164	166	116	122	126	137	LPW
	NDFR		36511	37774	38931	38931	33776	34196	35670	35985	25270	26414	27350	29742	Lumens
			153	159	164	164	142	144	150	151	106	111	115	125	LPW
	WD		41672	43113	44434	44434	38549	39030	40710	41071	28841	30147	31215	33946	Lumens
			175	181	187	187	162	164	171	173	121	127	131	143	LPW
WDFR	37321	38612	39796	39796	34525	34955	36461	36784	25831	27000	27957	30402	Lumens		
	157	162	167	167	145	147	153	155	109	113	117	128	LPW		

Notes: †	
Input Watts	120VAC.
Operating Characteristics	Absolute photometry calculated in accordance with IESNA LM-79-08 @ 25°C.

OPERATING CHARACTERISTICS

Nominal Lumens	Distribution	Input Watts †	70CRI				80CRI				90CRI				
			30K	35K	40K	50K	30K	35K	40K	50K	30K	35K	40K	50K	
45000LM	AD	269	44646	46190	47606	47606	41301	41816	43617	44003	30900	32299	33444	36369	Lumens
			166	172	177	177	154	155	162	164	115	120	124	135	LPW
	ADFR		38446	39776	40995	40995	35566	36009	37560	37892	26609	27815	28800	31318	Lumens
			143	148	152	152	132	134	140	141	99	103	107	116	LPW
	FD		43668	45178	46562	46562	40396	40899	42661	43039	30223	31592	32711	35572	Lumens
			162	168	173	173	150	152	159	160	112	117	122	132	LPW
	FDFR		38368	39694	40911	40911	35493	35935	37483	37814	26555	27757	28740	31254	Lumens
			143	148	152	152	132	134	139	141	99	103	107	116	LPW
	FSMG		43664	45174	46559	46559	40393	40896	42658	43036	30222	31589	32709	35569	Lumens
			162	168	173	173	150	152	159	160	112	117	122	132	LPW
	MD		47413	49052	50557	50557	43861	44407	46320	46730	32817	34301	35516	38623	Lumens
			176	182	188	188	163	165	172	174	122	128	132	144	LPW
	MDFR		40349	41745	43023	43023	37326	37791	39419	39768	27926	29191	30225	32868	Lumens
			150	155	160	160	139	140	147	148	104	109	112	122	LPW
	ND		44945	46500	47925	47925	41578	42096	43910	44298	31107	32516	33668	36612	Lumens
			167	173	178	178	155	156	163	165	116	121	125	136	LPW
	NDFR		41048	42467	43768	43768	37972	38445	40101	40456	28410	29696	30748	33437	Lumens
			153	158	163	163	141	143	149	150	106	110	114	124	LPW
	WD		46850	48469	49955	49955	43339	43878	45768	46172	32425	33893	35094	38162	Lumens
			174	180	186	186	161	163	170	172	121	126	130	142	LPW
WDFR	41959	43410	44740	44740	38815	39298	40991	41354	29041	30355	31430	34179	Lumens		
	156	161	166	166	144	146	152	154	108	113	117	127	LPW		

Nominal Lumens	Distribution	Input Watts †	70CRI				80CRI				90CRI				
			30K	35K	40K	50K	30K	35K	40K	50K	30K	35K	40K	50K	
50000LM	AD	285	49789	51512	53090	53090	46059	46633	48641	49072	34461	36020	37297	40558	Lumens
			175	181	186	186	162	164	171	172	121	126	131	142	LPW
	ADFR		42875	44358	45717	45717	39663	40157	41887	42258	29675	31018	32117	34926	Lumens
			150	156	160	160	139	141	147	148	104	109	113	123	LPW
	FD		48698	50382	51925	51925	45049	45611	47576	47996	33705	35231	36478	39669	Lumens
			171	177	182	182	158	160	167	168	118	124	128	139	LPW
	FDFR		42787	44267	45623	45623	39581	40074	41800	42170	29614	30954	32051	34854	Lumens
			150	155	160	160	139	141	147	148	104	109	112	122	LPW
	FSMG		48694	50378	51923	51923	45046	45607	47572	47993	33702	35228	36476	39666	Lumens
			171	177	182	182	158	160	167	168	118	124	128	139	LPW
	MD		52875	54704	56380	56380	48913	49524	51656	52113	36596	38252	39609	43071	Lumens
			186	192	198	198	172	174	181	183	128	134	139	151	LPW
	MDFR		44997	46553	47979	47979	41626	42145	43960	44349	31143	32553	33706	36655	Lumens
			158	163	168	168	146	148	154	156	109	114	118	129	LPW
	ND		50122	51855	53445	53445	46367	46944	48967	49400	34690	36262	37546	40830	Lumens
			176	182	188	188	163	165	172	173	122	127	132	143	LPW
	NDFR		45776	47359	48810	48810	42346	42874	44721	45117	31683	33117	34290	37289	Lumens
			161	166	171	171	149	150	157	158	111	116	120	131	LPW
	WD		52246	54052	55709	55709	48330	48933	51041	51492	36161	37796	39136	42558	Lumens
			183	190	195	195	170	172	179	181	127	133	137	149	LPW
WDFR	46792	48410	49894	49894	43286	43826	45713	46118	32386	33851	35051	38116	Lumens		
	164	170	175	175	152	154	160	162	114	119	123	134	LPW		

Notes: †	
Input Watts	120VAC.
Operating Characteristics	Absolute photometry calculated in accordance with IESNA LM-79-08 @ 25°C.

OPERATING CHARACTERISTICS

Nominal Lumens	Distribution	Input Watts †	70CRI				80CRI				90CRI				
			30K	35K	40K	50K	30K	35K	40K	50K	30K	35K	40K	50K	
60000LM	AD	353	60912	63018	64950	64950	56347	57050	59507	60034	42158	44066	45628	49618	Lumens
			173	179	184	184	160	162	169	170	119	125	129	141	LPW
	ADFR		52453	54268	55930	55930	48523	49128	51244	51697	36304	37947	39292	42728	Lumens
			149	154	158	158	137	139	145	146	103	107	111	121	LPW
	FD		59576	61637	63525	63525	55112	55799	58203	58718	41233	43100	44628	48530	Lumens
			169	175	180	180	156	158	165	166	117	122	126	137	LPW
	FDFR		52344	54155	55814	55814	48423	49026	51138	51590	36229	37869	39211	42640	Lumens
			148	153	158	158	137	139	145	146	103	107	111	121	LPW
	FSMG		59573	61633	63522	63522	55109	55796	58200	58715	41231	43098	44625	48527	Lumens
			169	175	180	180	156	158	165	166	117	122	126	137	LPW
	MD		64687	66923	68974	68974	59840	60586	63197	63756	44770	46798	48456	52693	Lumens
			183	190	195	195	170	172	179	181	127	133	137	149	LPW
	MDFR		55048	56953	58697	58697	50924	51559	53780	54255	38101	39825	41236	44843	Lumens
			156	161	166	166	144	146	152	154	108	113	117	127	LPW
	ND		61319	63439	65385	65385	56724	57432	59906	60436	42441	44361	45933	49950	Lumens
			174	180	185	185	161	163	170	171	120	126	130	142	LPW
	NDFR		56001	57939	59714	59714	51806	52451	54711	55195	38760	40514	41950	45618	Lumens
			159	164	169	169	147	149	155	156	110	115	119	129	LPW
	WD		63916	66126	68153	68153	59126	59864	62442	62996	44237	46241	47879	52066	Lumens
			181	187	193	193	167	170	177	178	125	131	136	147	LPW
WDFR	57244	59225	61038	61038	52956	53615	55926	56420	39620	41414	42881	46631	Lumens		
	162	168	173	173	150	152	158	160	112	117	121	132	LPW		

Nominal Lumens	Distribution	Input Watts †	70CRI				80CRI				90CRI				
			30K	35K	40K	50K	30K	35K	40K	50K	30K	35K	40K	50K	
70000LM	AD	411	68445	70812	72981	72981	63317	64106	66867	67459	47372	49516	51271	55754	Lumens
			167	172	178	178	154	156	163	164	115	120	125	136	LPW
	ADFR		58940	60978	62847	62847	54524	55204	57581	58091	40793	42640	44151	48012	Lumens
			143	148	153	153	133	134	140	141	99	104	107	117	LPW
	FD		66944	69259	71382	71382	61928	62700	65400	65979	46333	48430	50147	54532	Lumens
			163	169	174	174	151	153	159	161	113	118	122	133	LPW
	FDFR		58818	60852	62718	62718	54412	55089	57462	57970	40709	42552	44059	47913	Lumens
			143	148	153	153	132	134	140	141	99	104	107	117	LPW
	FSMG		66940	69254	71376	71376	61924	62696	65397	65976	46330	48427	50143	54529	Lumens
			163	169	174	174	151	153	159	161	113	118	122	133	LPW
	MD		72687	75200	77504	77504	67240	68077	71011	71640	50308	52585	54448	59210	Lumens
			177	183	189	189	164	166	173	174	122	128	132	144	LPW
	MDFR		61857	63996	65957	65957	57223	57935	60432	60967	42812	44750	46336	50388	Lumens
			151	156	160	160	139	141	147	148	104	109	113	123	LPW
	ND		68903	71286	73470	73470	63739	64534	67313	67909	47690	49847	51614	56128	Lumens
			168	173	179	179	155	157	164	165	116	121	126	137	LPW
	NDFR		62928	65104	67099	67099	58213	58938	61477	62021	43553	45525	47138	51260	Lumens
			153	158	163	163	142	143	150	151	106	111	115	125	LPW
	WD		71821	74305	76582	76582	66439	67266	70166	70786	49707	51960	53800	58505	Lumens
			175	181	186	186	162	164	171	172	121	126	131	142	LPW
WDFR	64324	66549	68588	68588	59505	60246	62842	63397	44520	46535	48184	52398	Lumens		
	157	162	167	167	145	147	153	154	108	113	117	127	LPW		

Notes †	
Input Watts	120VAC.
Operating Characteristics	Absolute photometry calculated in accordance with IESNA LM-79-08 @ 25°C.

OPERATING CHARACTERISTICS

Nominal Lumens	Distribution	Input Watts †	70CRI				80CRI				90CRI				
			30K	35K	40K	50K	30K	35K	40K	50K	30K	35K	40K	50K	
80000LM	AD	477	77534	80216	82673	82673	71725	72619	75747	76417	53663	56092	58080	63159	Lumens
			163	168	173	173	150	152	159	160	113	118	122	132	LPW
	ADFR		66768	69077	71193	71193	61765	62535	65228	65805	46211	48303	50015	54389	Lumens
			140	145	149	149	129	131	137	138	97	101	105	114	LPW
	FD		75834	78457	80861	80861	70153	71027	74087	74743	52486	54862	56805	61774	Lumens
			159	164	170	170	147	149	155	157	110	115	119	130	LPW
	FDFR		66630	68934	71045	71045	61637	62406	65094	65670	46116	48203	49912	54276	Lumens
			140	145	149	149	129	131	136	138	97	101	105	114	LPW
	FSMG		75829	78452	80856	80856	70148	71022	74081	74737	52484	54859	56803	61771	Lumens
			159	164	170	170	147	149	155	157	110	115	119	129	LPW
	MD		82340	85188	87797	87797	76170	77119	80441	81154	56988	59567	61679	67072	Lumens
			173	179	184	184	160	162	169	170	119	125	129	141	LPW
	MDFR		70072	72495	74716	74716	64822	65630	68456	69062	48498	50694	52490	57080	Lumens
			147	152	157	157	136	138	144	145	102	106	110	120	LPW
	ND		78053	80752	83226	83226	72204	73104	76254	76929	54022	56468	58468	63581	Lumens
			164	169	174	174	151	153	160	161	113	118	123	133	LPW
	NDFR		71285	73750	76010	76010	65944	66765	69641	70258	49337	51571	53399	58069	Lumens
			149	155	159	159	138	140	146	147	103	108	112	122	LPW
	WD		81359	84173	86752	86752	75264	76202	79483	80187	56310	58859	60945	66273	Lumens
			171	176	182	182	158	160	167	168	118	123	128	139	LPW
WDFR	72867	75387	77697	77697	67407	68247	71187	71817	50433	52715	54583	59357	Lumens		
	153	158	163	163	141	143	149	151	106	111	114	124	LPW		

Nominal Lumens	Distribution	Input Watts †	70CRI				80CRI				90CRI				
			30K	35K	40K	50K	30K	35K	40K	50K	30K	35K	40K	50K	
90000LM	AD	555	88472	91531	94336	94336	81843	82863	86432	87197	61233	64005	66273	72068	Lumens
			159	165	170	170	147	149	156	157	110	115	119	130	LPW
	ADFR		76186	78821	81236	81236	70478	71356	74430	75088	52730	55117	57069	62060	Lumens
			137	142	146	146	127	129	134	135	95	99	103	112	LPW
	FD		86533	89524	92268	92268	80048	81045	84538	85286	59890	62602	64819	70489	Lumens
			156	161	166	166	144	146	152	154	108	113	117	127	LPW
	FDFR		76029	78658	81068	81068	70333	71208	74276	74933	52620	55003	56952	61933	Lumens
			137	142	146	146	127	128	134	135	95	99	103	112	LPW
	FSMG		86527	89520	92262	92262	80043	81041	84531	85281	59887	62598	64816	70483	Lumens
			156	161	166	166	144	146	152	154	108	113	117	127	LPW
	MD		93956	97204	100182	100182	86915	87998	91789	92600	65028	67970	70381	76535	Lumens
			169	175	181	181	157	159	165	167	117	122	127	138	LPW
	MDFR		79957	82722	85257	85257	73966	74887	78113	78804	55339	57844	59894	65132	Lumens
			144	149	154	154	133	135	141	142	100	104	108	117	LPW
	ND		89064	92145	94967	94967	82391	83418	87011	87781	61642	64433	66716	72550	Lumens
			160	166	171	171	148	150	157	158	111	116	120	131	LPW
	NDFR		81341	84154	86733	86733	75246	76184	79465	80169	56296	58845	60931	66259	Lumens
			147	152	156	156	136	137	143	144	101	106	110	119	LPW
	WD		92836	96048	98989	98989	85880	86951	90696	91499	64254	67161	69543	75625	Lumens
			167	173	178	178	155	157	163	165	116	121	125	136	LPW
WDFR	83146	86021	88658	88658	76916	77874	81229	81948	57546	60151	62284	67730	Lumens		
	150	155	160	160	139	140	146	148	104	108	112	122	LPW		

Notes: †	
Input Watts	120VAC.
Operating Characteristics	Absolute photometry calculated in accordance with IESNA LM-79-08 @ 25°C.

OPERATING CHARACTERISTICS

Nominal Lumens	Distribution	Input Watts †	70CRI				80CRI				90CRI				
			30K	35K	40K	50K	30K	35K	40K	50K	30K	35K	40K	50K	
100000LM	AD	641	100516	103992	107179	107179	92985	94143	98199	99068	69569	72718	75295	81879	Lumens
			157	162	167	167	145	147	153	155	109	113	117	128	LPW
	ADFR		86558	89551	92295	92295	80072	81070	84562	85311	59908	62620	64839	70509	Lumens
			135	140	144	144	125	126	132	133	93	98	101	110	LPW
	FD		98312	101712	104829	104829	90946	92079	96046	96896	68043	71124	73644	80083	Lumens
			153	159	164	164	142	144	150	151	106	111	115	125	LPW
	FDFR		86380	89367	92104	92104	79907	80902	84388	85135	59784	62491	64706	70364	Lumens
			135	139	144	144	125	126	132	133	93	97	101	110	LPW
	FSMG		98306	101706	104822	104822	90940	92074	96040	96890	68039	71119	73639	80079	Lumens
			153	159	164	164	142	144	150	151	106	111	115	125	LPW
	MD		106746	110438	113820	113820	98747	99978	104285	105208	73881	77225	79961	86954	Lumens
			167	172	178	178	154	156	163	164	115	120	125	136	LPW
	MDFR		90842	93983	96862	96862	84035	85082	88747	89533	62873	65719	68048	73999	Lumens
			142	147	151	151	131	133	138	140	98	103	106	115	LPW
	ND		101189	104687	107895	107895	93608	94773	98856	99732	70035	73205	75799	82427	Lumens
			158	163	168	168	146	148	154	156	109	114	118	129	LPW
	NDFR		92414	95610	98540	98540	85490	86555	90284	91083	63961	66857	69225	75280	Lumens
			144	149	154	154	133	135	141	142	100	104	108	117	LPW
	WD		105474	109121	112466	112466	97571	98787	103042	103955	72999	76306	79009	85919	Lumens
			165	170	175	175	152	154	161	162	114	119	123	134	LPW
WDFR	94465	97732	100727	100727	87387	88476	92287	93104	65381	68341	70762	76950	Lumens		
	147	152	157	157	136	138	144	145	102	107	110	120	LPW		

Notes: †	
Input Watts	120VAC.
Operating Characteristics	Absolute photometry calculated in accordance with IESNA LM-79-08 @ 25°C.

UPLIGHT OPERATING CHARACTERISTICS

Configuration	Lumen package	70CRI				80CRI				90CRI				Input Watts
		30K	35K	40K	50K	30K	35K	40K	50K	30K	35K	40K	50K	3 bars
HOLO2 - Large optical, Large Electrical (3 bars)	35000LM	5354	5539	5709	5709	4953	5015	5231	5277	3657	3822	3958	4304	36
	40000LM	6146	6358	6553	6553	5685	5756	6004	6057	4197	4387	4542	4940	42
	45000LM	6918	7157	7376	7376	6399	6479	6758	6818	4724	4938	5113	5560	48
	50000LM	7421	7678	7913	7913	6865	6950	7250	7314	5068	5297	5485	5965	52
	60000LM	7421	7678	7913	7913	6865	6950	7250	7314	5068	5297	5485	5965	52

LUMEN AMBIENT TEMPERATURE (LAT) MULTIPLIERS

HOLO2 (Large Optical, Large Electrical)

Ambient °C	35000LM	40000LM	45000LM	50000LM	60000LM	70000LM	80000LM	90000LM	100000LM
-40	1.06	1.06	1.07	1.07	1.07	1.08	1.09	1.10	1.10
-35	1.06	1.06	1.06	1.06	1.07	1.08	1.08	1.09	1.10
-30	1.05	1.06	1.06	1.06	1.07	1.07	1.08	1.08	1.09
-25	1.05	1.05	1.06	1.06	1.06	1.07	1.07	1.08	1.08
-20	1.05	1.05	1.05	1.05	1.06	1.06	1.07	1.07	1.08
-15	1.04	1.05	1.05	1.05	1.05	1.06	1.06	1.06	1.07
-10	1.04	1.04	1.04	1.04	1.05	1.05	1.05	1.06	1.06
-5	1.03	1.04	1.04	1.04	1.04	1.04	1.05	1.05	1.05
0	1.03	1.03	1.03	1.03	1.03	1.04	1.04	1.04	1.05
5	1.02	1.02	1.03	1.03	1.03	1.03	1.03	1.03	1.04
10	1.02	1.02	1.02	1.02	1.02	1.02	1.02	1.03	1.03
15	1.01	1.01	1.01	1.01	1.01	1.02	1.02	1.02	1.02
20	1.01	1.01	1.01	1.01	1.01	1.01	1.01	1.01	1.01
25	1.00	1.00	1.00	1.00	1.00	1.00	1.00	1.00	1.00
30	0.99	0.99	0.99	0.99	0.99	0.99	0.99	0.99	0.99
35	0.99	0.99	0.99	0.99	0.98	0.98	0.98	0.98	0.98
40	0.98	0.98	0.98	0.98	0.98	0.97	0.97	0.97	0.97
45	0.97	0.97	0.97	0.97	0.97	0.97	0.96	0.96	
50	0.96	0.96	0.96	0.96	0.96	0.96			
55	0.96	0.95	0.95	0.95	0.95	0.95			
60	0.95	0.95	0.94	0.94	0.94	0.94			
65	0.94	0.94	0.93	0.93	0.93				
70	0.93	0.93							

LUMEN MAINTENANCE

HOLO2 35,000LM Ambient °C	Operating Hours						
	0	15000	30000	45000	60000	70000	100000
25	100	98.11	97.86	97.62	97.38	97.21	96.73
30	100	98.11	97.86	97.62	97.38	97.21	96.73
35	100	97.90	97.69	97.47	97.25	97.11	96.68
40	100	97.90	97.69	97.47	97.25	97.11	96.68
45	100	97.90	97.69	97.47	97.25	97.11	96.68
50	100	97.90	97.69	97.47	97.25	97.11	96.68
55	100	97.90	97.69	97.47	97.25	97.11	96.68
60	100	97.90	97.69	97.47	97.25	97.11	96.68
65	100	97.90	97.69	97.47	97.25	97.11	96.68
70	100	96.67	95.81	94.95	94.09	93.53	91.86

HOLO2 70,000LM Ambient °C	Operating Hours						
	0	15000	30000	45000	60000	70000	100000
25	100	97.90	97.69	97.47	97.25	97.11	96.68
30	100	97.90	97.69	97.47	97.25	97.11	96.68
35	100	97.90	97.69	97.47	97.25	97.11	96.68
40	100	97.90	97.69	97.47	97.25	97.11	96.68
45	100	96.67	95.81	94.95	94.09	93.53	91.86
50	100	96.67	95.81	94.95	94.09	93.53	91.86
55	100	96.67	95.81	94.95	94.09	93.53	91.86
60	100	96.67	95.81	94.95	94.09	93.53	91.86

HOLO2 40,000LM Ambient °C	Operating Hours						
	0	15000	30000	45000	60000	70000	100000
25	100	98.11	97.86	97.62	97.38	97.21	96.73
30	100	98.11	97.86	97.62	97.38	97.21	96.73
35	100	97.90	97.69	97.47	97.25	97.11	96.68
40	100	97.90	97.69	97.47	97.25	97.11	96.68
45	100	97.90	97.69	97.47	97.25	97.11	96.68
50	100	97.90	97.69	97.47	97.25	97.11	96.68
55	100	97.90	97.69	97.47	97.25	97.11	96.68
60	100	97.90	97.69	97.47	97.25	97.11	96.68
65	100	96.67	95.81	94.95	94.09	93.53	91.86
70	100	96.67	95.81	94.95	94.09	93.53	91.86

HOLO2 80,000LM Ambient °C	Operating Hours						
	0	15000	30000	45000	60000	70000	100000
25	100	97.90	97.69	97.47	97.25	97.11	96.68
30	100	97.90	97.69	97.47	97.25	97.11	96.68
35	100	96.67	95.81	94.95	94.09	93.53	91.86
40	100	96.67	95.81	94.95	94.09	93.53	91.86
45	100	96.67	95.81	94.95	94.09	93.53	91.86

HOLO2 45,000LM Ambient °C	Operating Hours						
	0	15000	30000	45000	60000	70000	100000
25	100	98.11	97.86	97.62	97.38	97.21	96.73
30	100	97.90	97.69	97.47	97.25	97.11	96.68
35	100	97.90	97.69	97.47	97.25	97.11	96.68
40	100	97.90	97.69	97.47	97.25	97.11	96.68
45	100	97.90	97.69	97.47	97.25	97.11	96.68
50	100	97.90	97.69	97.47	97.25	97.11	96.68
55	100	97.90	97.69	97.47	97.25	97.11	96.68
60	100	96.67	95.81	94.95	94.09	93.53	91.86
65	100	96.67	95.81	94.95	94.09	93.53	91.86

HOLO2 90,000LM Ambient °C	Operating Hours						
	0	15000	30000	45000	60000	70000	100000
25	100	97.90	97.69	97.47	97.25	97.11	96.68
30	100	96.67	95.81	94.95	94.09	93.53	91.86
35	100	96.67	95.81	94.95	94.09	93.53	91.86
40	100	96.67	95.81	94.95	94.09	93.53	91.86
45	100	96.67	95.81	94.95	94.09	93.53	91.86

HOLO2 50,000LM Ambient °C	Operating Hours						
	0	15000	30000	45000	60000	70000	100000
25	100	98.11	97.86	97.62	97.38	97.21	96.73
30	100	97.90	97.69	97.47	97.25	97.11	96.68
35	100	97.90	97.69	97.47	97.25	97.11	96.68
40	100	97.90	97.69	97.47	97.25	97.11	96.68
45	100	97.90	97.69	97.47	97.25	97.11	96.68
50	100	97.90	97.69	97.47	97.25	97.11	96.68
55	100	97.90	97.69	97.47	97.25	97.11	96.68
60	100	96.67	95.81	94.95	94.09	93.53	91.86
65	100	96.67	95.81	94.95	94.09	93.53	91.86

HOLO2 100,000LM Ambient °C	Operating Hours						
	0	15000	30000	45000	60000	70000	100000
25	100	96.67	95.81	94.95	94.09	93.53	91.86
30	100	96.67	95.81	94.95	94.09	93.53	91.86
35	100	96.67	95.81	94.95	94.09	93.53	91.86
40	100	96.67	95.81	94.95	94.09	93.53	91.86

HOLO2 60,000LM Ambient °C	Operating Hours						
	0	15000	30000	45000	60000	70000	100000
25	100	97.90	97.69	97.47	97.25	97.11	96.68
30	100	97.90	97.69	97.47	97.25	97.11	96.68
35	100	97.90	97.69	97.47	97.25	97.11	96.68
40	100	97.90	97.69	97.47	97.25	97.11	96.68
45	100	97.90	97.69	97.47	97.25	97.11	96.68
50	100	97.90	97.69	97.47	97.25	97.11	96.68
55	100	96.67	95.81	94.95	94.09	93.53	91.86
60	100	96.67	95.81	94.95	94.09	93.53	91.86
65	100	96.67	95.81	94.95	94.09	93.53	91.86

IMAGES

Bottom



Top



Side



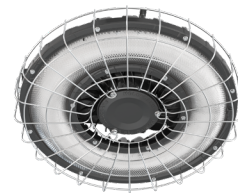
nLight Air Embedded Sensor (NLTAIR2 APIR)



Sensor Switch Embedded Sensor (SBG, SBG BTP)



Wireguard (WGX, HOLO2WG)



Hinge Open



Inverted (IVO)



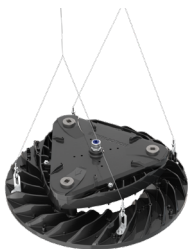
Pendant (PM)



Uplight (UPL)



Aircraft Cable (AC, ACSS, HOLOAC, HOLOACSS)



Wall Mount (072331)



Wall Mount (072332)



QD or NDT Mount



Universal Power Hook (UPH)



Twin Arm (TA, HOLOTWINARM)



Yoke Mount (YK90)

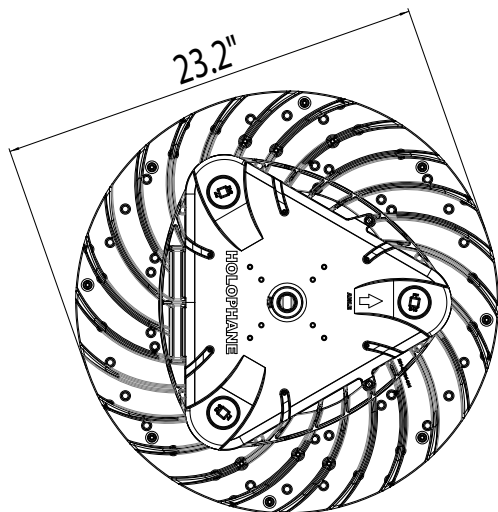


Hook Mount (HKMD)

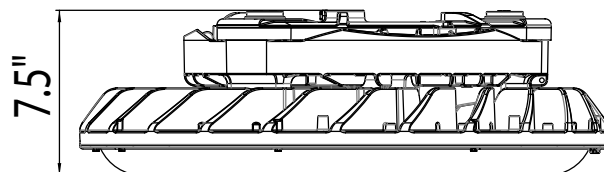


DIMENSIONS

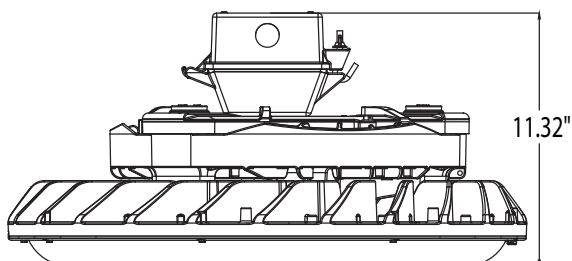
HOL02 Top



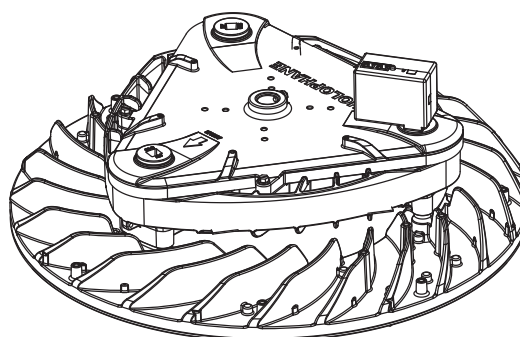
HOL02 Side



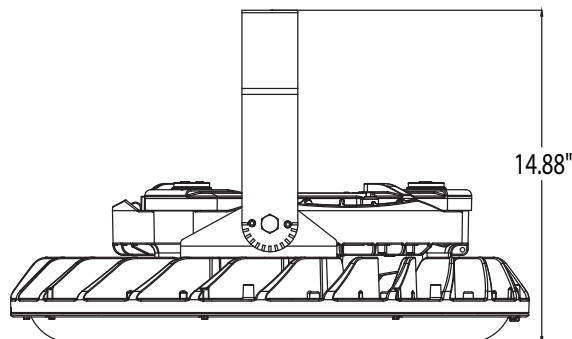
**Quick Disconnect
(QD, NDT)**



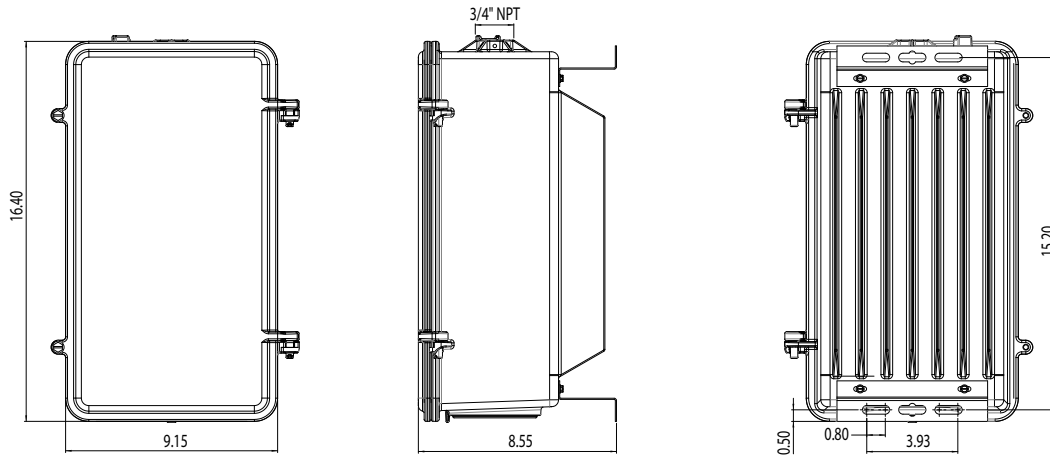
**Power Pack
(NLTAIR2KO, NLIGHTKO)**



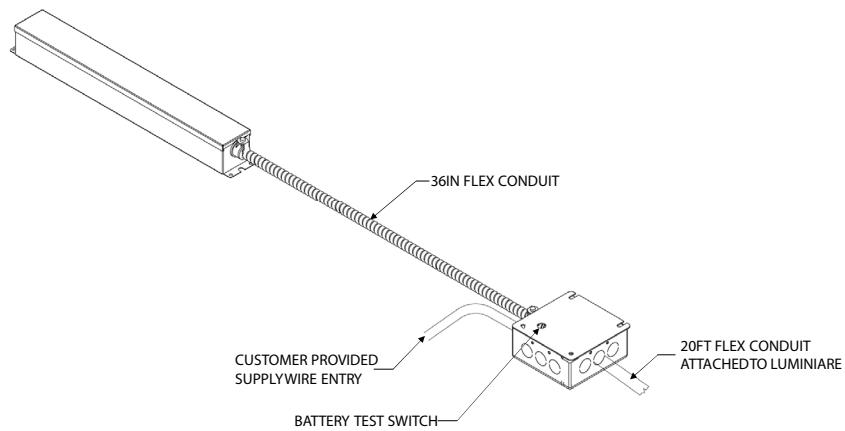
**Yoke Mount
(YK90)**



IE18WCPHECWR Remote Battery Enclosure (finish will match luminaire)



IE20WCPHER or IE30WCPHER Remote Batteries



EMBEDDED LUMINAIRE TECHNOLOGY GUIDE

Control Type	Sensor Nomenclature	Sensor Used (click on part number to link to sensor spec sheet)		Out of the box settings					Notes
				Unoccupied Time Until Dim	Dim to Off Time Delay	Occupied Dim Level	Unoccupied Dim Level	Daylighting Set Point	
Sensor Switch Embedded Controls	SBG10	SBG 10 EZ WH OV		5M	n/a	100%	0V	n/a	360° Low mount standalone embedded sensor (8-15ft), on/off occupancy
	SBG10 D 3V	SBG 10 EZ WH 3V		5M	n/a	100%	30%	n/a	360° Low mount standalone embedded sensor (8-15ft), occupancy controlled high/low dimming, 30% min dim level
	SBG10 P	SBG 10 EZ P WH OV 10M		10M	n/a	100%	0V	5FC	360° Low mount standalone embedded sensor (8-15ft), on/off photocell
	SBG6	SBG 6 EZ WH OV		5M	n/a	100%	0V	n/a	360° High mount standalone embedded sensor (15-30ft), on/off occupancy
	SBG6 D 3V	SBG 6 EZ WH 3V		5M	n/a	100%	30%	n/a	360° High mount standalone embedded sensor (15-30ft), occupancy controlled high/low dimming, 30% min dim level
	SBG6 P	SBG 6 EZ P WH OV 10M		10M	n/a	100%	0V	5FC	360° High mount standalone embedded sensor (15-30ft), on/off photocell
Sensor Switch Embedded Controls	SBG10 ER	SBG 10 EZ WH OV + ETS20 DR HITEMP	ETS DR	5M	n/a	100%	0V	n/a	360° Low mount standalone embedded sensor (8-15ft), on/off occupancy, UL924 emergency operation, includes IOTA ETS20 DR HITEMP, 5 conductor power input
	SBG10 D 3V ER	SBG 10 EZ WH 3V + ETS20 DR HITEMP	ETS DR	5M	n/a	100%	30%	n/a	360° Low mount standalone embedded sensor (8-15ft), occupancy controlled high/low dimming, 30% min dim level, UL924 emergency operation, includes IOTA ETS20 DR HITEMP, 5 conductor power input
	SBG10 P ER	SBG 10 EZ P WH OV 10M + ETS20 DR HITEMP	ETS DR	10M	n/a	100%	0V	5FC	360° Low mount standalone embedded sensor (8-15ft), on/off photocell, UL924 emergency operation, includes IOTA ETS20 DR HITEMP, 5 conductor power input
	SBG6 ER	SBG 6 EZ WH OV + ETS20 DR HITEMP	ETS DR	5M	n/a	100%	0V	n/a	360° High mount standalone embedded sensor (15-30ft), on/off occupancy, UL924 emergency operation, includes IOTA ETS20 DR HITEMP, 5 conductor power input
	SBG6 D 3V ER	SBG 6 EZ WH 3V + ETS20 DR HITEMP	ETS DR	5M	n/a	100%	30%	n/a	360° High mount standalone embedded sensor (15-30ft), occupancy controlled high/low dimming, 30% min dim level, UL924 emergency operation, includes IOTA ETS20 DR HITEMP, 5 conductor power input
	SBG6 P ER	SBG 6 EZ P WH OV 10M + ETS20 DR HITEMP	ETS DR	10M	n/a	100%	0V	5FC	360° High mount standalone embedded sensor (15-30ft), on/off photocell, UL924 emergency operation, includes IOTA ETS20 DR HITEMP, 5 conductor power input
Bluetooth® Embedded Controls	SBG10 OCC BTP	SBG10 BTP OCC		10M	n/a	10V	n/a	n/a	360° Low mount Bluetooth embedded sensor (7-15ft), on/off occupancy
	SBG10 HL BTP	SBG10 BTP HL		10M	2.5M	10V	10%	n/a	360° Low mount Bluetooth embedded sensor (7-15ft), high/low/(off) occupancy dimming
	SBG10 ADC BTP	SBG10 BTP ADC		10M	2.5M	10V	10%	50FC	360° Low mount Bluetooth embedded sensor (7-15ft), on/off occupancy with auto dimming photocell
	SBG10 ANL BTP	SBG10 BTP ANL		10M	n/a	10V	10%	50FC	360° Low mount Bluetooth embedded sensor (7-15ft), high/low/(off) occupancy dimming with auto dimming photocell
	SBG6 OCC BTP	SBG6 BTP OCC		10M	n/a	10V	n/a	n/a	360° High mount Bluetooth embedded sensor (15-45ft), on/off occupancy
	SBG6 HL BTP	SBG6 BTP HL		10M	2.5M	10V	10%	n/a	360° High mount Bluetooth embedded sensor (15-45ft), high/low/(off) occupancy dimming
	SBG6 ADC BTP	SBG6 BTP ADC		10M	2.5M	10V	10%	50FC	360° High mount Bluetooth embedded sensor (15-45ft), on/off occupancy with auto dimming photocell
	SBG6 ANL BTP	SBG6 BTP ANL		10M	n/a	10V	10%	50FC	360° High mount Bluetooth embedded sensor (15-45ft), high/low/(off) occupancy dimming with auto dimming photocell
Bluetooth® Embedded Controls	SBG10 OCC BTP ER	SBG10 BTP OCC + ETS20 DR HITEMP	ETS DR	10M	n/a	10V	n/a	n/a	360° Low mount Bluetooth embedded sensor (7-15ft), on/off occupancy, UL924 emergency operation, includes IOTA ETS DR, 5 conductor power input
	SBG10 HL BTP ER	SBG10 BTP HL + ETS20 DR HITEMP	ETS DR	10M	2.5M	10V	10%	n/a	360° Low mount Bluetooth embedded sensor (7-15ft), high/low/(off) occupancy dimming, UL924 emergency operation, includes IOTA ETS DR, 5 conductor power input
	SBG10 ADC BTP ER	SBG10 BTP ADC + ETS20 DR HITEMP	ETS DR	10M	2.5M	10V	10%	50FC	360° Low mount Bluetooth embedded sensor (7-15ft), on/off occupancy with auto dimming photocell, UL924 emergency operation, includes IOTA ETS DR, 5 conductor power input
	SBG10 ANL BTP ER	SBG10 BTP ANL + ETS20 DR HITEMP	ETS DR	10M	n/a	10V	10%	50FC	360° Low mount Bluetooth embedded sensor (7-15ft), high/low/(off) occupancy dimming with auto dimming photocell, UL924 emergency operation, includes IOTA ETS DR, 5 conductor power input
	SBG6 OCC BTP ER	SBG6 BTP OCC + ETS20 DR HITEMP	ETS DR	10M	n/a	10V	n/a	n/a	360° High mount Bluetooth embedded sensor (15-45ft), on/off occupancy, includes IOTA ETS DR, 5 conductor power input
	SBG6 HL BTP ER	SBG6 BTP HL + ETS20 DR HITEMP	ETS DR	10M	2.5M	10V	10%	n/a	360° High mount Bluetooth embedded sensor (15-45ft), high/low/(off) occupancy dimming, UL924 emergency operation, includes IOTA ETS DR, 5 conductor power input
	SBG6 ADC BTP ER	SBG6 BTP ADC + ETS20 DR HITEMP	ETS DR	10M	2.5M	10V	10%	50FC	360° High mount Bluetooth embedded sensor (15-45ft), on/off occupancy with auto dimming photocell, UL924 emergency operation, includes IOTA ETS DR, 5 conductor power input
	SBG6 ANL BTP ER	SBG6 BTP ANL + ETS20 DR HITEMP	ETS DR	10M	n/a	10V	10%	50FC	360° High mount Bluetooth embedded sensor (15-45ft), high/low/(off) occupancy dimming with auto dimming photocell, UL924 emergency operation, includes IOTA ETS DR, 5 conductor power input

EMBEDDED LUMINAIRE TECHNOLOGY GUIDE

Control Type	Sensor Nomenclature	Sensor Used (click on part number to link to sensor spec sheet)		Out of the box settings					Notes
				Unoccupied Time Until Dim	Dim to Off Time Delay	Occupied Dim Level	Unoccupied Dim Level	Daylighting Set Point	
nLight Air Embedded Controls	NLTAIR2 APIR	RSBG 10 ZTS WH G2		7.5M	2.5M	100%	10%	50FC	360° Low mount nLight air embedded sensor (8-15ft), combined daylight and occupancy dimming, fully programmable with Clarity+ Pro app
	NLTAIR2 APIRM	RSBG 6 ZTS WH G2		7.5M	2.5M	100%	10%	50FC	360° High mount nLight air embedded sensor (15-30ft), combined daylight and occupancy dimming, fully programmable with Clarity+ Pro app
	NLTAIR2 APIRH	RSBG 40 ZTS WH G2		7.5M	2.5M	100%	10%	50FC	360° High bay nLight air embedded sensor (40ft), combined daylight and occupancy dimming, fully programmable with Clarity+ Pro app
	NLTAIREM2 APIR	RSBG 10 ZT EM WH G2		7.5M	2.5M	100%	10%	50FC	360° Low mount nLight air embedded sensor (8-15ft), combined daylight and occupancy dimming, fully programmable with Clarity+ Pro app, UL924 emergency operation, 3 conductor power input
	NLTAIREM2 APIRM	RSBG 6 ZT EM WH G2		7.5M	2.5M	100%	10%	50FC	360° High mount nLight air embedded sensor (15-30ft), combined daylight and occupancy dimming, fully programmable with Clarity+ Pro app, UL924 emergency operation, 3 conductor power input
	NLTAIREM2 APIRH	RSBG 40 ZT EM WH G2		7.5M	2.5M	100%	10%	50FC	360° High bay nLight air embedded sensor (40ft), combined daylight and occupancy dimming, fully programmable with Clarity+ Pro app, UL924 emergency operation, 3 conductor power input
	NLTAIRER2 APIR	RSBG 10 ZTS WH G2	ETS DR	7.5M	2.5M	100%	10%	50FC	360° Low mount nLight air embedded sensor (8-15ft), combined daylight and occupancy dimming, fully programmable with Clarity+ Pro app, UL924 emergency operation, includes IOTA ETS DR, 5 conductor power input
	NLTAIRER2 APIRM	RSBG 40 ZTS WH G2	ETS DR	7.5M	2.5M	100%	10%	50FC	360° High mount nLight air embedded sensor (15-30ft), combined daylight and occupancy dimming, fully programmable with Clarity+ Pro app, UL924 emergency operation, includes IOTA ETS DR, 5 conductor power input
	NLTAIRER2 APIRH	RSBG 40 ZTS WH G2	ETS DR	7.5M	2.5M	100%	10%	50FC	360° High bay nLight air embedded sensor (40ft), combined daylight and occupancy dimming, fully programmable with Clarity+ Pro app, UL924 emergency operation, includes IOTA ETS DR, 5 conductor power input
	NLTAIR2	RIO ZTS EXTDB ACWH 180D G2		n/a	n/a	80%	n/a	n/a	nLight air embedded network interface, fully programmable with Clarity+ Pro app
	NLTAIREM2	RIO ZT EM EXTDB ACWH 180D G2		n/a	n/a	80%	n/a	n/a	nLight air embedded network interface, fully programmable with Clarity+ Pro app, UL924 emergency operation, 3 conductor power input
	NLTAIRER2	RIO ZTS EXTDB ACWH 180D G2	ETS DR	n/a	n/a	80%	n/a	n/a	nLight air embedded network interface, fully programmable with Clarity+ Pro app, UL924 emergency operation, includes IOTA ETS DR, 5 conductor power input