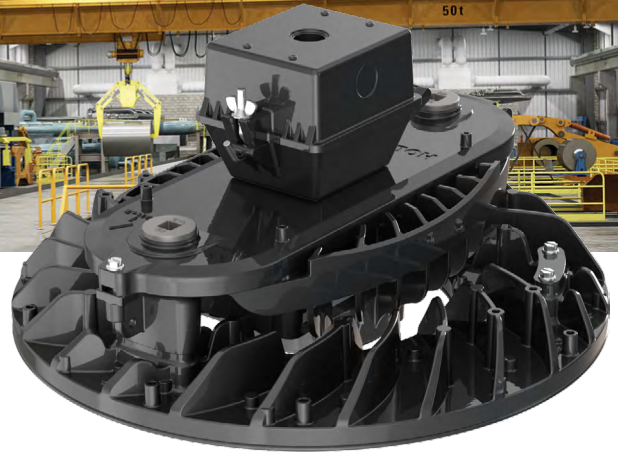




**HOLOPHANE®**

## Quick Disconnect and Non-Disconnect Mounting



Quick-Disconnect (QD) and Non-Disconnect (NDT) are designed to complement select Holophane® fixtures that allows the fixture to be easily replaced or maintained.

Holophane offers a cost-saving alternative to traditional installation methods.

Reduce costs for both new installations and renovation work, while enhancing the safety of maintenance and operations.

### Disconnect Under Load & Safety

Replace or maintain fixtures without shutting off power to avoid operational disruptions and loss of production time  
QD is UL rated to be disconnected under load.

### Save Time & Cost

For renovation work, no wiring connections are required if existing installation already has a QD box.  
For new constructions, get a head start by allowing electricians to easily hook up QD boxes and avoid waiting for the fixture installation.

## Compatible with HOLOBAY™, PHG, PHS, PHV, PHZ, and PHZL



# Easy Installation for QD



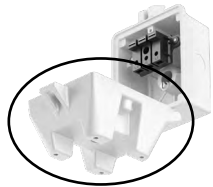
1. Electrician installs the QD box. (For QR mount, QDH Hanger is reused from existing installation)
2. Hang fixture on QDH hinge.
3. Swing the fixture up, latch the J-bolt to the hanger, and secure the ballast assembly with the captive wing nut. Hand tighten the wing nut only

## Options

### Quick Disconnect (QD)



QD Top Lid  
*ships separately*



QD System Bottom  
*factory installed to the fixture*

The 2 part QD will include components to allow voltage to pass between the top and bottom.

### Non-Disconnect Thru-Wiring (NDT)



NDT Top Lid  
*Removable and installed on the ceiling*



NDT System Bottom  
*factory installed to the fixture*

The 2 part NDT used on top of the fixture will be empty.

### Quick Disconnect Retrofit (QR)

Order QR if the top lid of the QD or the top lid of the NDT is already installed.

For retrofit applications only.



### Non-Disconnect Thru-Wiring Retrofit (NR)

Order NR if the top lid of the QD or the top lid of the NDT is already installed.

For retrofit applications only.

