



Consistent with LEED® goals & Green Globes™ criteria for light pollution reduction



Buy American

Autobahn Series ATBS Roadway & Security Lighting

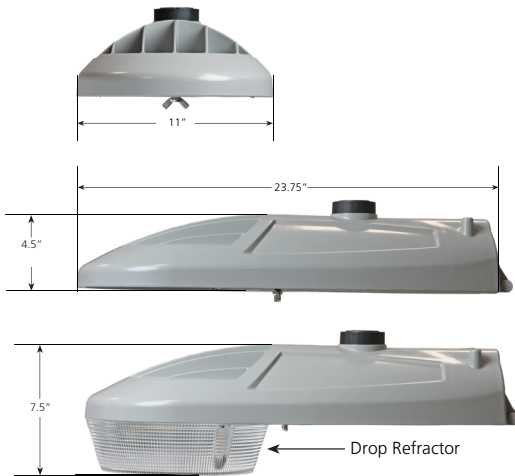
PRODUCT OVERVIEW



Applications:

Residential streets
Parking lots
General security lighting

DIMENSIONS



Effective Projected Area (EPA) The EPA for the ATBS is 0.3 sq. ft.,
Approx. Wt. = 12 lbs. (5 kg)

STANDARDS

DesignLights Consortium® (DLC) qualified product. Not all versions of this product may be DLC qualified. Please check the DLC Qualified Products List at www.designlights.org/QPL to confirm which versions are qualified.

Color temperatures of $\leq 3000\text{K}$ must be specified for International Dark-Sky Association certification.

Rated for -40°C to 40°C ambient

CSA Certified to U.S. and Canadian standards

Complies with ANSI: C136.2, C136.10, C136.14, C136.31, C136.15, C136.37

BUY AMERICAN — Product with the BAA option is assembled in the USA and meets the Buy America(n) government procurement requirements under FAR, DFARS and DOT. Please refer to www.acuitybrands.com/buy-american for additional information.

Note: Actual performance may differ as a result of end-user environment and application. Specifications subject to change without notice.

Features:

OPTICAL

Same Light: Performance is comparable to 100W – 200W HPS and up to 175W Mercury Vapor roadway and security lighting luminaires.

White Light: Correlated color temperature - 4000K, 70 CRI minimum, 3000K, 70 CRI minimum or optional 5000K, 70 CRI minimum.

IP66 rated borosilicate glass optics ensure longevity and minimize dirt depreciation. Unique IP66 rated LED light engines provide 0% uplight and restrict backlight to within sidewalk depth, providing optimal application coverage and optimal pole spacing.

Available distributions are Type II, III, and V roadway distributions. When used with the optional acrylic refractor the unit provides approximately 10% uplight and increased vertical foot-candles

ELECTRICAL

Expected Life: LED light engines are rated $>100,000$ hours at 25°C , L70. Electronic driver has an expected life of 100,000 hours at a 25°C ambient.

Lower Energy: Saves an expected 40-60% over comparable HID luminaires.

Standard surge protection is 20kV/10kA "Extreme Level" per ANSI C136.2. An optional MOV pack provides 10kV/5kA "Enhanced Level".

Luminaire ships with a 0-10v dimmable driver. Luminaire is continuous and step dimming capable via AO option or controls installed on P7 photocontrol receptacle option.

MECHANICAL

Includes standard AEL lineman-friendly features such as tool-less entry, 3 station terminal block and quick disconnects. Bubble level located inside the electrical compartment for easy leveling at installation.

Rugged die-cast aluminum housing and door are polyester powder-coated for durability and corrosion resistance. Rigorous five-stage pre-treating and painting process yields a finish that achieves a scribe creepage rating of 8 (per ASTM D1654) after over 5000 hours exposure to salt fog chamber (operated per ASTM B117).

Mast arm mount is adjustable for arms from 1-1/4" to 2" (1-5/8" to 2-3/8" O.D.) diameter. The 2 – bolt clamping mechanism provides 3G vibration rating per ANSI C136.31.

The Wildlife shield is cast into the housing (not a separate piece).

CONTROLS

NEMA 3 pin photocontrol receptacle is standard, with the Acuity designed ANSI standard 7 pin receptacles optionally available.

Premium solid state locking-style photocontrol – PCSS (10 year rated life) Extreme long life solid state locking-style photocontrol – PCL1 (20 year rated life)

Optional onboard Adjustable Output module allows the light output and input wattage to be modified to meet site specific requirements, and also can allow a single fixture to be flexibly applied in many different applications.

Autobahn Series ATBS

Roadway & Security Lighting

ORDERING INFORMATION

Series	Performance Packages	Voltage	Optics
ATBS Autobahn LED Roadway & Security	P10 5,500 lumens P20 6,800 lumens P30 8,300 lumens P40 9,400 lumens P50 10,800 lumens P60 ⁴ 11,850 lumens	MVOLT Multi-volt, 120-277V 347 347V 480 480V	R2 Roadway Type II R3 Roadway Type III R5 Roadway Type V D3 Type III, Drop Refractor included D5 Type V, Drop Refractor included

Options

Color Temperature (CCT)

(Blank)	4000K CCT, 70 CRI Min.
3K	3000K CCT, 70 CRI Min.
5K	5000K CCT, 70 CRI Min.

Paint

Blank	Gray (Standard)
BK	Black
WH	White
BZ	Bronze

Surge Protection

Blank	Standard 20kV/10kA SPD
MP	MOV Pack 10kV/5kA

Misc.

HS	House Side Shield
NL	NEMA Label
XL	Not CSA Certified
VR ³	Visual Comfort Optic

UMR-XX	8" Horizontal Arm for Round Pole, Painted to match Fixture
UMS-XX	8" Horizontal Arm for Square Pole, Painted to match Fixture
UMR-GALV	8" Horizontal Arm for Round Pole, Painted to match Fixture
UMS-GALV	8" Horizontal Arm for Square Pole, Painted to match Fixture
BAA	Buy America(n) Act Compliant

Controls

(Blank)	3 Pin NEMA Photocontrol Receptacle
NR ¹	No Photocontrol Receptacle
DM ²	0V-10V Dimmable Driver
P7	7 Pin Photocontrol Receptacle (dimmable driver included)
PCSS ¹	DTL DSS Photocontrol
PCL1 ¹	DTL DLL Photocontrol 120-277V
AO	Field Adjustable Output
SH	Shorting Cap

Packages

(Blank)	Standard Pack
JP	Job Pack (54/pallet)

Install Packages

PKGS	DTL DSS Photocontrol
PKGL	DTL DLL Photocontrol

Packages ship with selected photocontrol, 24", 1 1/4" diameter arm, 5' of prewire and mounting hardware

Accessories

ATBSREF	Drop Refractor for field installation
ATBSHSS	House Side Shield for field installation
ATBSLTS	Light Trespass Shield for field installation
ATBS LOUVER KIT	Louver Kit for field installation
ATBSVR-XX	Visual Comfort Refractor and painted skirt for field installation

Notes

1. Not available with Install Packages.
2. Not available with AO option.
3. Not available with D3 or D5 option.
4. Not available with 347V and 480V supply voltage options.



AEL Headquarters, 3825 Columbus Road, Granville, OH 43023
 www.americanelectriclighting.com
 © 2014-2022 Acuity Brands Lighting, Inc. All Rights Reserved. Rev. 04/04/22 ATBS

Warranty Five-year limited warranty. This is the only warranty provided and no other statements in this specification sheet create any warranty of any kind. All other express and implied warranties are disclaimed. Complete warranty terms located at: www.acuitybrands.com/support/warranty/terms-and-conditions
 Actual performance may differ as a result of end-user environment and application. All values are design or typical values, measured under laboratory conditions at 25 °C. Specifications subject to change without notice.

Please contact your sales representative for the latest product information.

Autobahn Series ATBS

Roadway & Security Lighting

PERFORMANCE PACKAGE

ATBS

Performance Package	Distribution	Input Watts	3K (3000K CCT, 70 CRI)					4K/5K (4000K/5000K CCT, 70 CRI)					LLD @ 25°C		
			Lumens	LPW	B	U	G	Lumens	LPW	B	U	G	50k Hours	75k Hours	100k Hours
P10	R2	40	5,360	134	1	0	2	5,577	139	1	0	2	0.92	0.89	0.85
	R3		5,287	132	1	0	1	5,524	138	1	0	1			
	R5		5,576	139	3	0	1	5,758	144	3	0	1			
	D3		4,963	124	1	3	3	5,163	129	1	3	3			
	D5		5,372	134	2	3	3	5,590	140	2	3	3			
P20	R2	50	6,707	134	1	0	2	6,809	136	1	0	2	0.92	0.89	0.85
	R3		6,687	134	2	0	2	6,760	135	2	0	2			
	R5		6,926	139	3	0	1	7,108	142	3	0	1			
	D3		6,496	130	2	3	4	6,244	125	1	3	4			
	D5		7,032	141	3	4	4	7,317	146	3	4	4			
P30	R2	60	8,092	135	2	0	2	8,067	134	1	0	1	0.92	0.89	0.85
	R3		7,971	133	2	0	2	8,328	139	2	0	2			
	R5		8,470	141	3	0	2	8,760	146	3	0	2			
	D3		7,491	125	2	3	4	7,795	130	2	3	4			
	D5		8,110	135	3	4	4	8,438	141	3	4	4			
P40	R2	70	9,138	131	2	0	2	9,533	136	2	0	2	0.92	0.89	0.85
	R3		9,136	131	2	0	2	9,355	134	2	0	2			
	R5		9,868	141	3	0	2	9,710	139	3	0	2			
	D3		8,460	121	2	3	4	8,802	126	2	3	5			
	D5		9,158	131	3	4	5	9,529	136	3	4	5			
P50	R2	82	10,628	130	2	0	3	10,829	132	2	0	3	0.92	0.89	0.85
	R3		10,624	130	2	0	2	10,826	132	2	0	2			
	R5		11,450	140	4	0	2	11,181	136	4	0	2			
	D3		10,143	124	2	4	5	10,553	129	2	4	5			
	D5		10,651	130	3	4	5	11,082	135	3	4	5			
P60	R2	92	11,050	120	2	0	3	11,848	129	2	0	3	0.92	0.89	0.85
	R3		10,911	119	2	0	2	11,862	129	2	0	2			
	R5		12,199	133	4	0	2	12,756	139	4	0	2			
	D3		10,230	111	2	4	5	10,644	116	2	4	5			
	D5		11,074	120	3	4	5	11,523	125	3	4	5			

ATBS with VR

Performance Package	Distribution	Input Watts	3K (3000K CCT, 70 CRI)					4K/5K (4000K/5000K CCT, 70 CRI)					LLD @ 25°C		
			Lumens	LPW	B	U	G	Lumens	LPW	B	U	G	50k Hours	75k Hours	100k Hours
P10	R2 with VR	40	4,450	111	1	0	1	4,561	114	1	0	1	0.92	0.89	0.85
	R3 with VR		4,273	107	1	0	1	4,605	115	1	0	1			
	R5 with VR		4,539	113	2	0	1	4,679	117	2	0	1			
P20	R2 with VR	50	5,491	110	1	0	1	5,550	111	1	0	1	0.92	0.89	0.85
	R3 with VR		5,379	108	1	0	1	5,582	112	2	0	1			
	R5 with VR		5,647	113	2	0	1	5,692	114	2	0	1			
P30	R2 with VR	60	6,479	108	2	0	1	6,530	109	2	0	1	0.92	0.89	0.85
	R3 with VR		6,400	107	2	0	1	6,564	109	2	0	1			
	R5 with VR		6,703	112	3	0	1	6,693	112	2	0	1			
P40	R2 with VR	70	7,307	104	2	0	1	7,561	108	2	0	1	0.92	0.89	0.85
	R3 with VR		7,347	105	2	0	1	7,638	109	2	0	1			
	R5 with VR		7,693	110	3	0	1	7,749	111	3	0	1			
P50	R2 with VR	82	8,552	104	2	0	2	8,711	106	2	0	2	0.92	0.89	0.85
	R3 with VR		8,494	104	2	0	1	8,814	107	2	0	1			
	R5 with VR		8,895	108	3	0	1	8,911	109	3	0	1			
P60	R2 with VR	92	8,989	98	2	0	2	9,815	107	2	0	2	0.92	0.89	0.85
	R3 with VR		8,899	97	2	0	1	9,857	107	2	0	2			
	R5 with VR		9,309	101	3	0	1	10,256	111	3	0	1			

Note: Individual fixture performance may vary. Specifications subject to change without notice.



AEL Headquarters, 3825 Columbus Road, Granville, OH 43023
www.americanelectricalighting.com
© 2014-2022 Acuity Brands Lighting, Inc. All Rights Reserved.

Rev. 04/04/22 ATBS

Warranty Five-year limited warranty. This is the only warranty provided and no other statements in this specification sheet create any warranty of any kind. All other express and implied warranties are disclaimed. Complete warranty terms located at www.acuitybrands.com/support/warranty/terms-and-conditions
Actual performance may differ as a result of end-user environment and application. All values are design or typical values, measured under laboratory conditions at 25 °C. Specifications subject to change without notice.

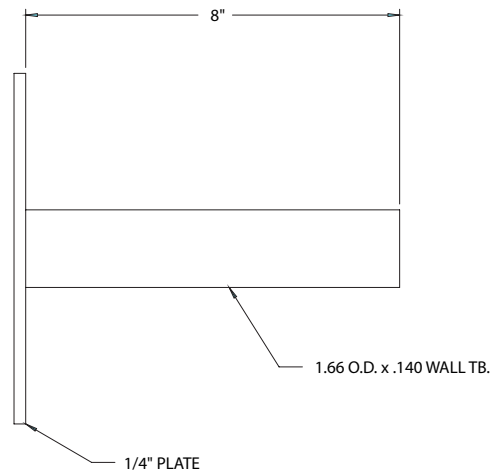
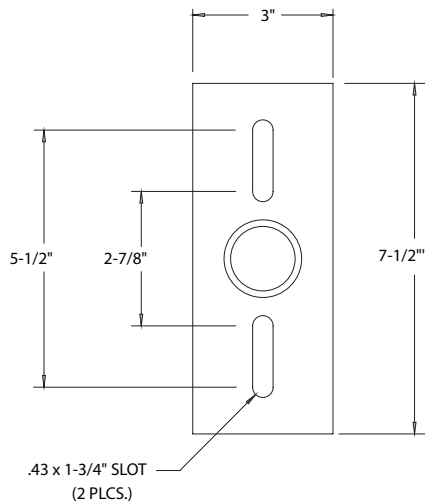
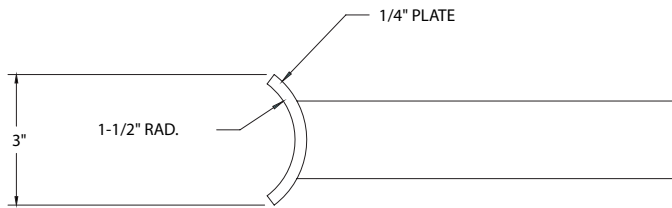
Please contact your sales representative for the latest product information.

Autobahn Series ATBS

Roadway & Security Lighting

UMR POLE ADAPTOR

RECOMMENDED FOR USE WITH POLES OF 4" DIAMETER OR SMALLER



UMS POLE ADAPTOR



AEL Headquarters, 3825 Columbus Road, Granville, OH 43023
www.americanelectriclighting.com
© 2014-2022 Acuity Brands Lighting, Inc. All Rights Reserved. Rev. 04/04/22 ATBS

Warranty Five-year limited warranty. This is the only warranty provided and no other statements in this specification sheet create any warranty of any kind. All other express and implied warranties are disclaimed. Complete warranty terms located at: www.acuitybrands.com/support/warranty/terms-and-conditions
Actual performance may differ as a result of end-user environment and application. All values are design or typical values, measured under laboratory conditions at 25 °C. Specifications subject to change without notice.

Please contact your sales representative for the latest product information.