



TPS3 SERIES

Yoke Mount Chip on Board, LED Floodlight

HIGHLIGHTS

- "Taper Lock" Yoke infinitely adjust from 0 degrees to 90 degrees for precise aiming
- Copper Free aluminum housing to meet the most demanding lighting environments
- Programmable driver with 0-10V dimming
- CCTs: 30K, 40K, 50K
- Optional 6KV surge protector
- Four precision optical distributions

5
YEAR
warranty



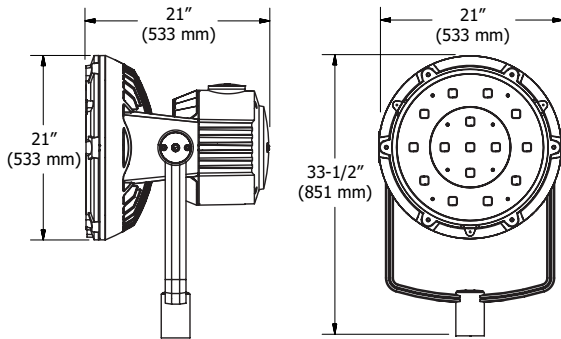
IP66



Specifications

EPA:	3.51 ft ² 0.195 m ²
Length:	21"
Width:	533 mm
Height:	33-1/2" 851 mm
Height ² :	21" 533 mm
Weight:	105 lbs

DIMENSIONS



LUMEN PACKAGES

	NFL	MFL	FL	WFL
Delivered Lumens	43,349	42,177	40,209	38,747
Watts	557	557	557	557
LPW	78	76	72	70

Note: Information based on 4000K

ORDERING INFORMATION
EXAMPLE: TPS3 15COB 960mA 40K MVOLT FL YM BL

Series*	Lamp type*	Milliamp*	Color*	Voltage*	Distribution*	Mounting*
TPS3	15COB	760mA	760 milliamp	30K 3000°K Color Temp	MVOLT (120-277 volt)	YMF ² Yoke Mount with slipfitter for T25 (2-7/8") tenon
		960mA	960 milliamp	40K 4000°K Color Temp		MFL Medium Flood
				50K 5000°K Color Temp		FL Flood
					WFL Wide Flood	Note: Yoke includes a T25 slipfitter

Mounting Accessory	Accessories	Options	Finish*	Listing
TNM25 Tenon	Internal	Controls	BL Black	NT ^{3,4} Natatorium Construction
PED25 Pedestal Mount w/ Tenon	IHL Internal Honeycomb Louver	PDGR ¹ Programmable Driver	BZ Bronze	
SM1825 Stanchion Mount w/ Tenon	External	LDIM 0-10V Dimming	DDB Dark Bronze	
	GS Glare Shield	Protection	DNA Natural Aluminum	
	FGS Full Glare Shield	SPD6KV Surge Protector (optional)	GN Green	STG Steel Gray
	LASC Safety Cable <i>Safety Cable recommended for all pole mounted applications</i>	40C ² For continuous ambient temp. 40°C and above	GR Gray	TVG Terra Verde Green
				WH White
				__Z ³ Zinc Undercoat
				CF Custom
				RALTB D RAL Paint Finishes
				Note: RALTB D for pricing only, replace with applicable RAL call out when ready to order. See the RALBROCHURE for available options. It is recommended that Hydrel products only use textured paint.

* Required Field

Notes:

- Consult factory for custom operating settings.
- For ambient temp 40°C and above fixture will be run at 760mA, output will be decreased (consult factory).
- Zinc undercoat - for harsh environments.
- Natorium rated Hydrel luminaires are built to withstand the elevated temperatures, high humidity and corrosive environments typically associated with natatoriums. Luminaires ordered with the "NT" nomenclature will have a zinc primer undercoat, zinc-infused super durable top coat, stainless steel hardware and IP67 ingress protection. NT is only available with 760mA

ELECTRICAL LOAD

Light Engines	Drive Current (mA)	System Watts	Current (A)					
			120	208	240	277	347	480
15COB	760	438	3.65	2.11	1.83	1.58	1.26	0.91
15COB	960	565	4.71	2.72	2.35	2.04	1.63	1.18

PROJECTED LED LUMEN MAINTENANCE

Data references the extrapolated performance projections for the Fixture platform in a 25°C ambient, based on 10,000 hours of LED testing (tested per IESNA LM-80-08 and projected per IESNA TM-21-11).

To calculate LLF, use the lumen maintenance factor that corresponds to the desired number of operating hours below. For other lumen maintenance values, contact factory.

Operating Hours	0	25,000	50,000	100,000
Lumen Maintenance Factor	1.0	0.91	0.85	0.74

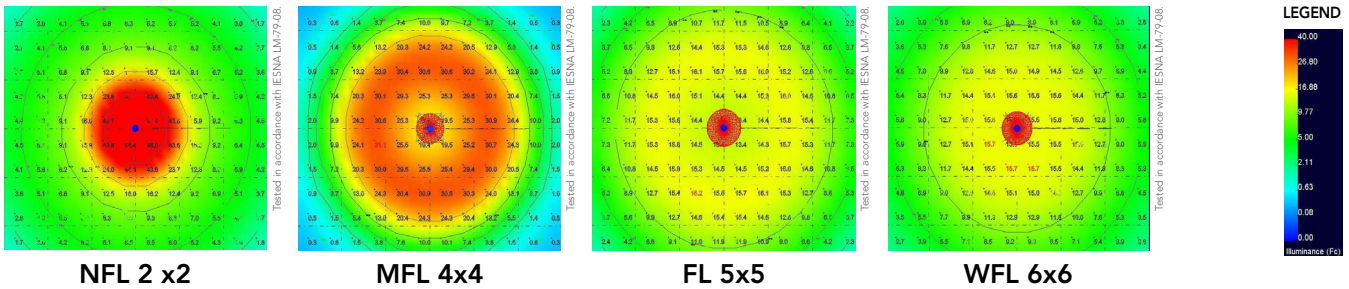
LUMEN AMBIENT TEMPERATURE (LAT) MULTIPLIERS

Use these factors to determine relative lumen output for average ambient temperatures from 0-40°C (32-104°F).

Ambient	Lumen Multiplier
0°C	1.05
10°C	1.03
20°C	1.01
25°C	1.00
30°C	0.99
40°C	0.97

PERFORMANCE DATA

Isocandela plots for TPS3 COB



To see complete photometric reports or download .ies files for this product, visit www.hydrel.com

LUMEN OUTPUT

Lumen values are from photometric tests performed in accordance with IESNA LM-79-08. Data is considered to be representative of the configurations shown, within the tolerances allowed by Lighting Facts. Actual performance may differ as a result of end-user environment and application. Contact factory for performance data on any configurations not shown here.

Light Engines	Drive Current (mA)	Dist. Type	Nema Type	Beam Angle (50%)		Field Angle (10%)		30K			
				°H	°V	°H	°V	Watts	LPW	Delivered Lumens	CRI
15COB	960mA	NFL	3 x 3	15.2	15.2	37.7	37.7	567.3	67	38368.24	82
		MFL	4 x 4	56.7	42.0	66.9	57.0	563.8	66.97	37755.12	82
		FL	5 x 5	74.0	60.5	93.0	83.7	564	59.1	33327.23	82
		WFL	6 x 6	74.0	64.1	104.3	100.1	564.3	62.1	35030.28	82

Light Engines	Drive Current (mA)	Dist. Type	Nema Type	Beam Angle (50%)		Field Angle (10%)		34K			
				°H	°V	°H	°V	Watts	LPW	Delivered Lumens	CRI
15COB	960mA	NFL	3 x 3	14.7	14.7	37.7	37.7	557.3	77.78	43349	77
		MFL	4 x 4	50.9	48.2	66.9	57.0	556.9	75.74	42177	77
		FL	5 x 5	73.7	60.5	93.0	83.7	556.5	72.25	40209	77
		WFL	6 x 6	70.4	64.1	104.3	100.1	557.4	69.51	38747	77

Light Engines	Drive Current (mA)	Dist. Type	Nema Type	Beam Angle (50%)		Field Angle (10%)		50K			
				°H	°V	°H	°V	Watts	LPW	Delivered Lumens	CRI
15COB	960mA	NFL	3 x 3	15.2	15.2	37.7	37.7	567.3	80.19	45211.5	77
		MFL	4 x 4	56.7	42.0	66.9	57.0	563.8	77.08	43729.92	77
		FL	5 x 5	74.0	60.5	93.0	83.7	564	73.75	41596.46	77
		WFL	6 x 6	74.0	64.1	104.3	100.1	564.3	70.58	39829.12	77

LED LIFE: L70/86,000 hours

OPERATING TEMPERATURE: -45°C Through 40°C

EXTERNAL ACCESSORIES



FGS — Full Glare Shield
Formed aluminum with A360 die-cast mounting ring, field installable.



GS — Glare Shield
Formed aluminum with A360 die-cast mounting ring, field installable.

SPECIFICATIONS AND FEATURES

MATERIAL: Die Cast Aluminum (A360) housing, Galvanized Steel brackets, black silicone gaskets with stainless steel fasteners.

LED: Monochromatic LED to 564 watts. Nichia COB 108. All within 3 MacAdam ellipses.

VOLTAGE: MVOLT, 347V, 480V.

DISTRIBUTION: See order guide.

REFLECTORS: Precision formed injection molded polycarbonate with vacuum metalized finish to meet beam spread requirements.

LENS: Flat tempered glass for maximum resistance to impact.

MOUNTING: Yoke mounted with 2-7/8 OD tenon and 10' of 16-3 STW flexible cord, 16-5 cord for LDIM.

GLARE CONTROL: Internal glare control and external glare control available.

POWER SUPPLY: 120-277, 347, & 480 LED Power Supply. Maximum ambient temperature: 40° C.

CONTROLS: 0 - 10V, 50% Reduction.

FINISH: Super durable polyester TGIC powder coat finish (standard). Optional zinc undercoat for harsh environments.

FASTENERS: Stainless steel.

LISTING: cCSAus, Wet Location, Laboratory tests conducted by CSA to UL Standards UL-1598 & UL-8750

PATENT NO.: US D663,877 S

GOVERNMENT PROCUREMENT

BAA – Buy America(n) Act: Product qualifies as a domestic end product under the Buy American Act as implemented in the FAR and DFARS. Product also qualifies as manufactured in the United States under DOT Buy America regulations.

BABA – Build America Buy America: Product qualifies as produced in the United States under the definitions of the Build America, Buy America Act. Please refer to www.acuitybrands.com/resources/buy-american for additional information.

WARRANTY: 5-year limited warranty. This is the only warranty provided and no other statements in this specification sheet create any warranty of any kind. All other express and implied warranties are disclaimed. Complete warranty terms located at:

www.acuitybrands.com/support/warranty/terms-and-conditions

Consult factory for details