

SLOT 6

RECESSED
DYNAMIC RGBW

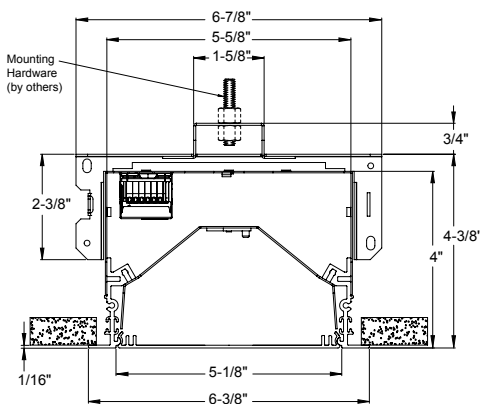
HIGHLIGHTS

- Two lens depths: OD (Flush) and 1D (1" Regress)
- 3 direct distributions: Lambertian, Batwing, or Asymmetric
- Two lens treatment options: Continuous and Flush
- DMX with Remote Device Management
- White, black or silver paint with satin finish

DIMENSIONS

Section View

FL Trim with OD Lens Regress



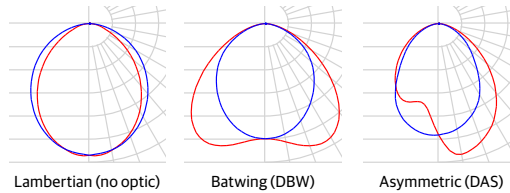
FIXTURE PERFORMANCE

Nominal Lumens/Foot	Direct				
	Red	Green	Blue	4000K	All Channels 100%
Delivered Lumens/Foot	225	402	142	890	658
Input Watts/Foot	5.42	8.61	7.55	9.79	9.84
Lumens/Watt	42	47	19	91	67

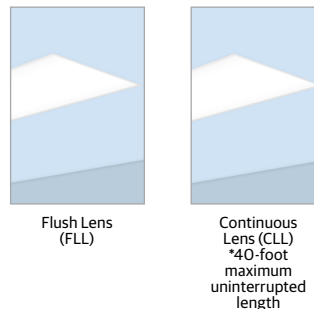
Based on a 4FT 90CRI ARTC RGBW fixture with 0" depth lens regress (OD), standard lambertian distribution, and flush lens (FLL)



DIRECT DISTRIBUTION



DIFFUSERS/SHIELDING

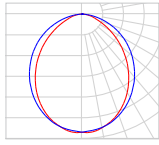


ORDERING

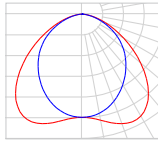
Example: S6RD LOP 7FT OD TG 90CRI ARTC RGBW 1000LMF SCT DARK FLL MVOLT SLVT DMX WL

Series S6RD Slot 6 Recessed Direct		Linear Plan LOP Optimized Length		Total Run Length .FT_ Specify continuous linear feet to nearest 1/8" increments starting at 2FT (Example: 24' - 6 1/8" = 24FT6.125) .FT' Specify continuous linear feet to whole foot increments starting at 2FT (Example: 24' = 24FT) Unit length may affect available options. For runs longer than 8FT: ALWAYS order the run by the TOTAL RUN LENGTH. Ordering these sections individually will not provide the correct joining hardware to allow run connections in the field. 1. Use whole foot increment when using DRP05, DRP1, DRP15, LVRR, or LVRRRA options.		Lens Regress Depth OD 0" Depth 1D ^{1,2,3} 1" Depth 1. Available with FLL or CLL Optional Shielding only. 2. Not available with Direct Distribution options. 3. Not available with FLINB or GBINB		Ceiling Type FL 5/8IN Flange (sheetrock) GB Gypsum Board (sheetrock) FLINB 5/8IN Flange (sheetrock) Install From Below GBINB Gypsum Board (sheetrock) Install From Below TG Grid Ceiling: 9/16" Flat Tee with Lay-In Tile, 9/16" Flat Tee with Tegular Tile, 9/16" Slot Tee with Tegular Tile, 15/16" Flat Tee with Lay-In Tile, & 15/16" Flat Tee with Tegular Tile FLW ¹ 5/8IN Flange (sheetrock) Wall Mounted GBW ¹ Gypsum Board (sheetrock) Wall Mounted 1. When using FLW or GBW options, FLW will change to FL & GBW will change to GB for shipping lines to designate same fixture as ceiling mounted units. *For compatibility with metal pans, hardwood, or other ceiling types, consult technical support.		Direct Light Source Color Rendering 90CRI 90CRI		Direct Dynamic Feature ARTC Archtainment Color	
Direct Dynamic Range RGBW Dynamic Color: Red, Green, Blue, White		Direct LED Light Output 1000LMF 1,000 Lumens per Foot		Direct Distribution ¹ <blank> Lambertian DAS Direct asymmetric distribution DBW Direct Batwing Distribution 1. Direct Distribution options are only available with FLL Direct Shielding and OD Lens Regress Depth option.		Switching SCT Single Circuit		Minimum Dimming Level DARK Constant Current, Dimming to 0.1%		Optional Shielding CLL ^{1,3} Continuous Flush Lens FLL ² Flush Lens 1. CLL is not available with DAS or DBW distributions. 2. When using distribution options, FLL will change to FLLC to designate a co-extruded lens with white and clear material. 3. 40-foot maximum uninterrupted length.			
Voltage MVOLT 120-277V		Finish WHTT White (Satin) AMF Antimicrobial White BLKT Black (Satin) SLVT Silver (Satin) RALTB ¹ RAL Paint Finish 1. RALTB is for pricing only. Replace with applicable RAL number & sheen when placing order		Control Input DMX DMX		Options <blank> No Options WL ^{1,2,3} Wet Location CP Chicago Plenum BAA Buy America(n) Act and/or Build America Buy America Qualified 1. Lens is not sealed or gasketed. 2. Not available for vertical surface installation. 3. Available as individual fixture sections, starting at 2FT through 8FT maximum run length.							

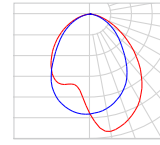
PHOTOMETRICS



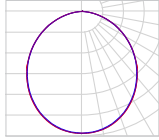
Test Report: ISF25 000625AP8561
IES LM79-08
Catalog #: S6RD 4FT OD 90CRI ARTC RGBW ALL ON 1000LMF STD FLL
Lumens: 2631
Wattage: 39.37
Efficacy: 66.83



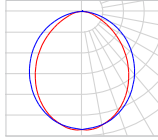
Test Report: ISF25 036529P1555
IES LM79-08
Catalog #: S6RD 4FT OD 90CRI ARTC RGBW ALL ON 1000LMF DBW FLLC
Lumens: 2617
Wattage: 39.37
Efficacy: 66.47



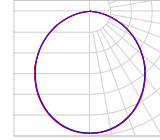
Test Report: ISF25 024633P2570
IES LM79-08
Catalog #: S6RD 4FT OD 90CRI ARTC RGBW ALL ON 1000LMF DAS FLLC
Lumens: 2860
Wattage: 39.37
Efficacy: 72.64



Test Report: ISF25 024629P3870
IES LM79-08
Catalog #: S6RD 4FT OD 90CRI ARTC RGBW ALL ON 1000LMF STD CLL
Lumens: 2608
Wattage: 39.37
Efficacy: 66.24



Test Report: ISF25 000625AP8566
IES LM79-08
Catalog #: S6RD 4FT 1D 90CRI ARTC RGBW ALL ON 1000LMF STD FLL
Lumens: 2567
Wattage: 39.37
Efficacy: 65.20



Test Report: ISF25 024629P363
IES LM79-08
Catalog #: S6RD 4FT 1D 90CRI ARTC RGBW ALL ON 1000LMF STD CLL
Lumens: 2462
Wattage: 39.37
Efficacy: 62.53

PROJECT LED LUMEN MAINTENANCE

Data references the extrapolated performance projections for the platforms noted in a 25°C ambient, based on 10,000 hours of LED testing (tested per IESNA LM-80-08 and projected per IESNA TM-21-11).

To calculate LLF, use the lumen maintenance factor that corresponds to the desired number of operating hours below. For other lumen maintenance values, contact factory.

Operating Hours	0	10,000	60,000	100,000
Lumen Maintenance Factor	1	0.98	0.84	0.75

OPTICAL SCALING CHARTS

DISTRIBUTIONS	MULTIPLIER
LAMBERTIAN	1.00
DBW	0.99
DAS	1.09
SHIELDING	MULTIPLIER
CLL	0.99
FLL	1.00

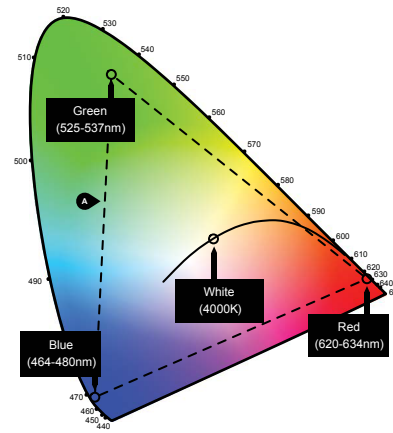
*Base fixture with Lambertian distribution and flush lens (FLL)

REGRESS DEPTH SCALING CHART

LENS REGRESS DEPTH	MULTIPLIER
OD	1.00
1D	0.94

*Base fixture with Lambertian distribution, 0" depth lens regress (OD), and flush lens (FLL)

RGBW GAMUT AND RANGE

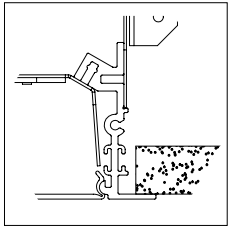


ARCHITAINMENT COLOR GPHD

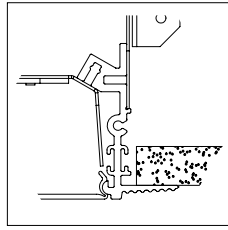
- Gamut: Triangular
- Path: Full RGB gamut
- Handle: Four Handles: Red, Green, Blue, White
- Data: DMX512/RDM

Ⓐ RGB Range within triangle formed by RGB

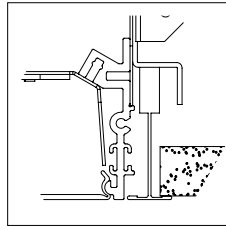
CEILING TRIMS



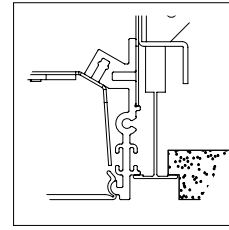
FL
5/8IN Flange (sheetrock)
Install Before Sheetrock



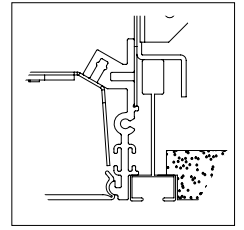
GB
Gypsum Board (sheetrock)
Install Before Sheetrock



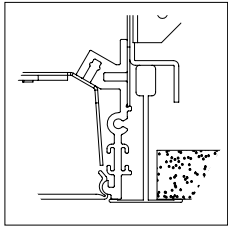
TG
9/16" Flat Tee w/ Lay-in Tile



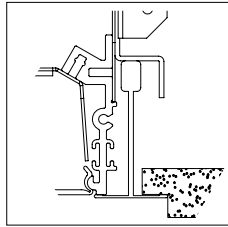
TG
9/16" Flat Tee w/ Tegular Tile



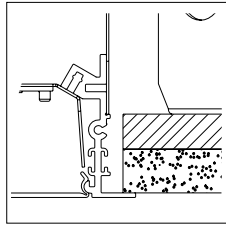
TG
9/16" Slot Tee w/ Tegular Tile



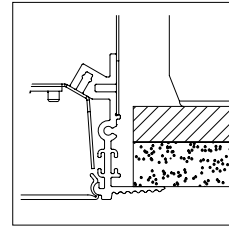
TG
15/16" Flat Tee w/ Lay-in Tile



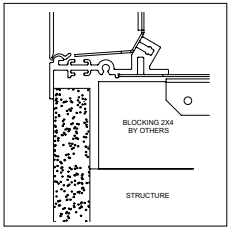
TG
15/16" Flat Tee w/ Tegular Tile



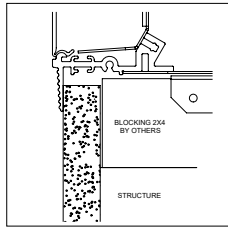
FLINB
5/8IN Flange (sheetrock)
Install From Below



GBINB
Gypsum Board (sheetrock)
Install From Below



FLW
5/8IN Flange (sheetrock)
Wall Mounted



GBW
Gypsum Board (sheetrock)
Wall Mounted

*For compatibility with metal pans, hardwood, or other ceiling types, consult technical support.
*TG ceiling trim types are compatible with Armstrong 6" TECHZONE ceiling grid.

LINEAR PLAN

Mark Lighting calculates a continuous run based on optimizing fixture section length and options selected.

LOP- Linear Optimized Length

This linear plan supplies the run length based on defined length combinations, resulting in an optimized solution with the fewest segments. LOP

8FT	4FT	3FT
-----	-----	-----

Total Run Length

This system is not modular. Runs longer than 8FT will be automatically configured with left, intermediate, and right sections based on nomenclature ordered. Always order the total run length required and not individual sections.

Example: This run to be ordered as one 32FT run.

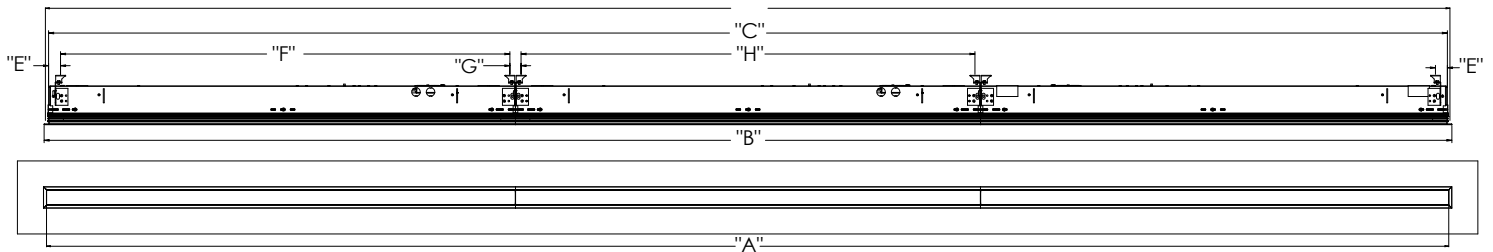
8FT	8FT	8FT	8FT
-----	-----	-----	-----

Example: This run to be ordered as four 8FT runs. Note: Individual fixtures sections cannot be joined together in the field.

8FT	8FT	8FT	8FT
-----	-----	-----	-----

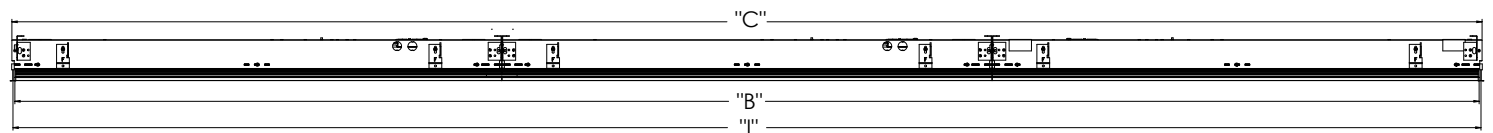
MOUNTING

FL and GB Trim Run



FL Run Configurations							
"A" (Illuminated Length)	"B" (Trim Length)	"C" (Housing Length)	"D" (Cut Opening Length)	"E" (End Mounting Location)	"F" (End Fixture Middle Mounting Point)	"G" (Mounting Point to Mounting Point)	"H" (Mounting Point to Mounting Point Intermediate Fixtures)
Order Length	Ordered Length + 15/16" (FL) + 113/16" (GB)	Order length + 9/16"	Order length + 13/16"	1 1/4"	Fixture length - 1 1/2"	1 1/16"	Fixture length - 1 1/16"

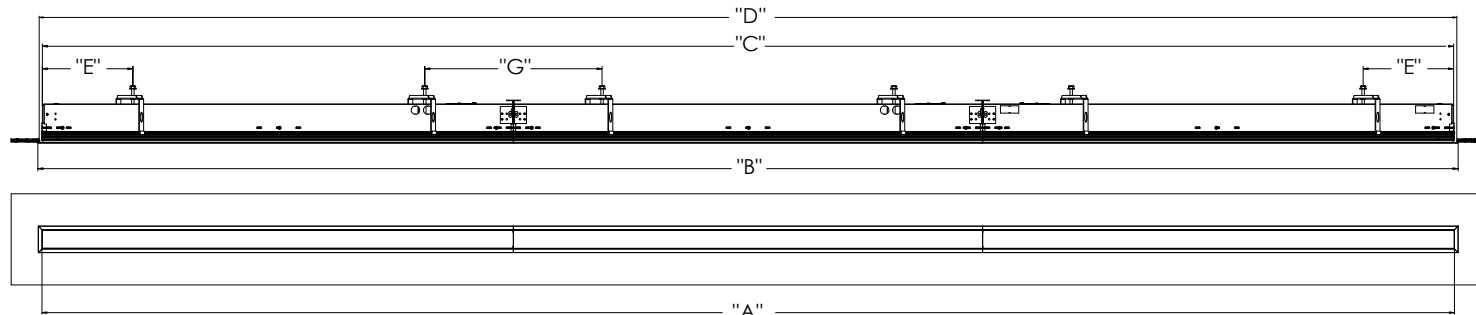
TG Trim Run



Grid Run Configurations			
"A" (Illuminated Length)	"B" (Trim Length)	"C" (Housing Length)	"I" (Grid Center to Center)
Order Length - 13/16"	Ordered Length - 5/8"	Order length - 1/32"	Order length + 13/16"

MOUNTING (continued)

FLINB and GBINB Trim Run



FL Run Configurations					
"A" (Illuminated Length)	"B" (Trim Length)	"C" (Housing Length)	"D" (Cut Opening Length)	"E" (End Mounting Location)	"G" (Mounting Point to Mounting Point)
Order Length	Order Length + 1 5/16"(FLINB) + 1 13/16"(GBINB)	Order length +9/16"	Order length +13/16"	6 1/4" 9 1/4"	1' 0 1/2" 1' 3 1/2" 1' 6 1/2"

NOTE: Dimension "E" depends on length (inconsistent across family). **NOTE:** Dimension "G" depends on fixture combination.

Ceiling Cut Out Dimensions

		2-Foot	3-Foot	4-Foot	5-Foot	6-Foot	7-Foot	8-Foot
TG	GRID CL LENGTH(IN)	24	36	48	60	72	84	96
	GRID CL WIDTH(IN)	6	6	6	6	6	6	6
FL or FLINB	LENGTH(IN)	24.813	36.813	48.81	60.813	72.813	84.81	96.813
	WIDTH(IN)	5.885	5.885	5.89	5.885	5.885	5.89	5.885
GB or GBINB	LENGTH(IN)	24.813	36.813	48.81	60.813	72.813	84.81	96.813
	WIDTH(IN)	5.885	5.885	5.89	5.885	5.885	5.89	5.885

CEILING OPENING DIMENSIONS FOR INSTALLATION, +/-0.13"

MOUNTING (continued)

FIXTURE DIMENSIONS AND WEIGHTS

			2-Foot	3-Foot	4-Foot	5-Foot	6-Foot	7-Foot	8-Foot	
TG	Individual	GRID CL (IN)	24	36	48	60	72	84	96	
		OVERALL LENGTH (IN)	23.375	35.375	47.375	59.375	71.375	83.375	95.375	
		HOUSING LENGTH (IN)	23.938	35.938	47.938	59.938	71.938	83.938	95.938	
		APERTURE (IN)	23.125	35.125	47.125	59.125	71.125	83.128	95.125	
	Left or Right			2-Foot	3-Foot	4-Foot	5-Foot	6-Foot	7-Foot	8-Foot
		GRID CL(IN)	24	36	48	60	72	84	96	
		PRODUCT LENGTH(IN)	23.688	35.688	47.688	59.688	71.688	83.688	95.688	
		HOUSING LENGTH(IN)	23.938	35.938	47.938	59.938	71.938	83.938	95.938	
	Intermediate			2-Foot	3-Foot	4-Foot	5-Foot	6-Foot	7-Foot	8-Foot
		GRID CL(IN)	24	36	48	60	72	84	96	
		PRODUCT LENGTH(IN)	24	36	48	60	72	84	96	
		HOUSING LENGTH(IN)	23.938	35.938	47.938	59.938	71.938	83.938	95.938	
			2-Foot	3-Foot	4-Foot	5-Foot	6-Foot	7-Foot	8-Foot	
			24	36	48	60	72	84	96	
			24	36	48	60	72	84	96	
			24	36	48	60	72	84	96	

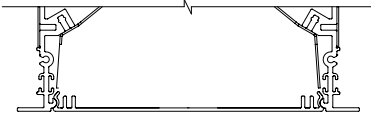
			2-Foot	3-Foot	4-Foot	5-Foot	6-Foot	7-Foot	8-Foot	
FL or FLINB	Individual	APERTURE(IN)	24	36	48	60	72	84	96	
		PRODUCT LENGTH(IN)	25.250	37.250	49.250	61.250	73.250	85.250	97.250	
		HOUSING LENGTH(IN)	24.563	36.563	48.563	60.563	72.563	84.563	96.563	
	Left or Right			2-Foot	3-Foot	4-Foot	5-Foot	6-Foot	7-Foot	8-Foot
		APERTURE(IN)	24	36	48	60	72	84	96	
		PRODUCT LENGTH(IN)	24.625	36.625	48.625	60.625	72.625	84.625	96.625	
	Intermediate			2-Foot	3-Foot	4-Foot	5-Foot	6-Foot	7-Foot	8-Foot
		APERTURE(IN)	24	36	48	60	72	84	96	
		PRODUCT LENGTH(IN)	24	36	48	60	72	84	96	
				2-Foot	3-Foot	4-Foot	5-Foot	6-Foot	7-Foot	8-Foot
				24	36	48	60	72	84	96
				23.938	35.938	47.938	59.938	71.938	83.938	95.938

			2-Foot	3-Foot	4-Foot	5-Foot	6-Foot	7-Foot	8-Foot	
GB or GBINB		APERTURE(IN)	24	36	48	60	72	84	96	
		PRODUCT LENGTH(IN)	25.750	37.750	49.750	61.750	73.750	85.750	97.750	
		HOUSING LENGTH(IN)	24.563	36.563	48.563	60.563	72.563	84.563	96.563	
				2-Foot	3-Foot	4-Foot	5-Foot	6-Foot	7-Foot	8-Foot
		APERTURE(IN)	24	36	48	60	72	84	96	
		PRODUCT LENGTH(IN)	24.875	36.875	48.875	60.875	72.875	84.875	96.875	
				2-Foot	3-Foot	4-Foot	5-Foot	6-Foot	7-Foot	8-Foot
		APERTURE(IN)	24	36	48	60	72	84	96	
		PRODUCT LENGTH(IN)	24	36	48	60	72	84	96	
				2-Foot	3-Foot	4-Foot	5-Foot	6-Foot	7-Foot	8-Foot
				24	36	48	60	72	84	96
				23.938	35.938	47.938	59.938	71.938	83.938	95.938

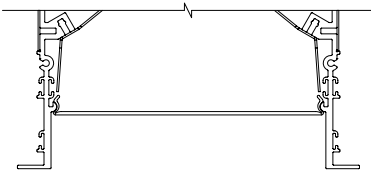
*All values rounded to +/- 1/16"

Approximate Fixture Section Weights			2-Foot	3-Foot	4-Foot	5-Foot	6-Foot	7-Foot	8-Foot
		WEIGHT(LBS)	12	15	18	27	30	33	36

DIRECT SHIELDING & OPTIONS



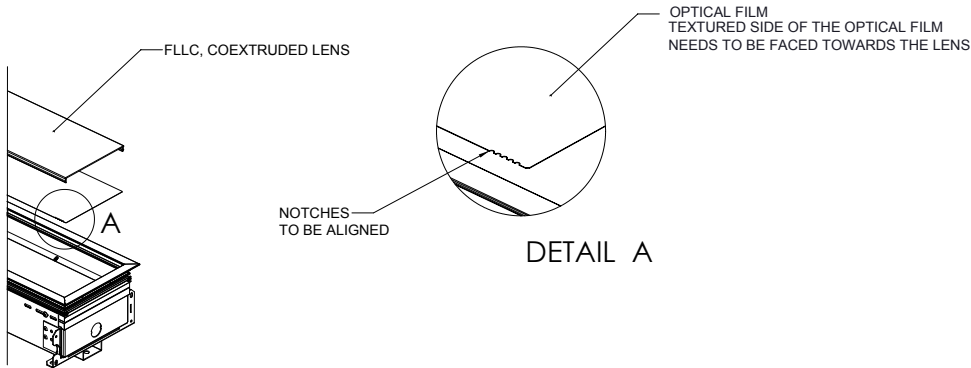
Flush Lens (FLL)
Continuous Lens (CLL)



1" Regress with
FLL or CLL

DIRECT DISTRIBUTION

Optical Film for DAS and DBW distributions with co-extruded lens standard.
Direction of light for DAS distribution will be in the direction of the notches on the film.



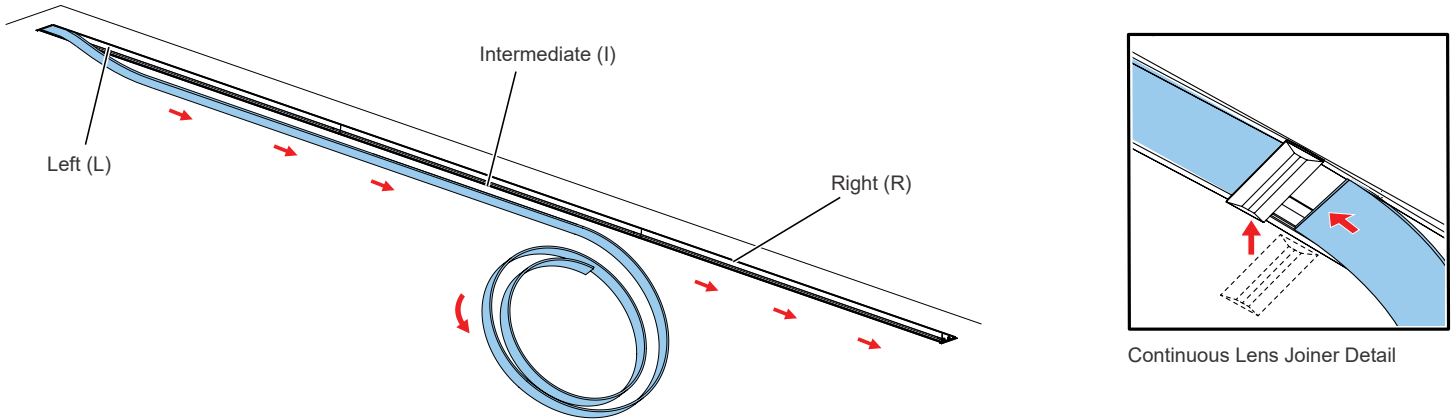
Optical Film	Number of Notches
Diffuser	4
Direct Asymmetric (DAS)	1
Direct Batwing (DBW)	2



When ordering distribution options, use FLL designation. FLL will automatically change to FLLC on shipped product, to designate this co-extruded lens with white and clear material.

CONTINUOUS LENS

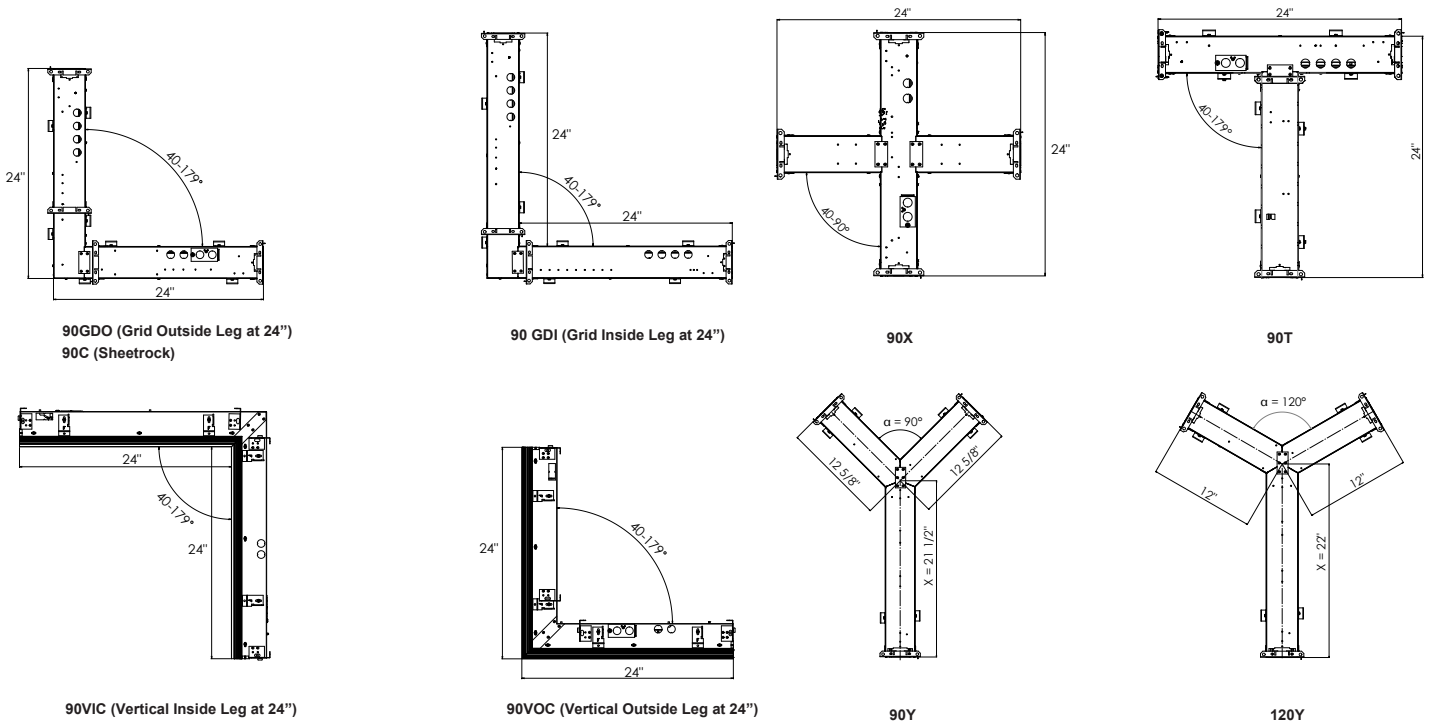
40-foot maximum uninterrupted length. From 40-foot 1/8-inch to 106-foot, visible joiner required and supplied with lens rolls. Joiner will match color of trim. Continuous lens and joiners, if required, ship separate from the fixture. Reference installation instructions for further details and steps.



RUN PATTERNS, CORNERS, & JUNCTIONS

Patterns can be configured in 1° increments with illuminated L (corner), X, Y, & T connectors. Standard corner has 2' leg segments. Standard L (corner) connector angles are available in 40-179 degrees in 1 degree increments. Standard T & Y connector angles are available in 40-179 degrees in 1 degree increments. Standard X connector angle available in 40-90 degrees in 1 degree increments.

See separate pattern spec sheet for more details.



NOTE: For Y intersections, dimension X varies depending on the angle α .
Angle α can be in a range of 40-179°.

INTELLIGENT LUMINAIRE GUIDE

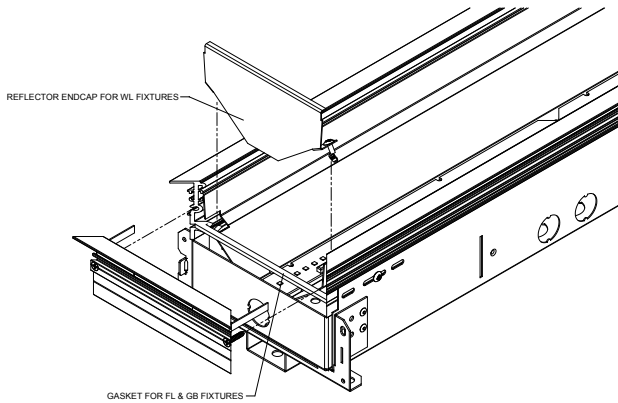
Choose nomenclature
from these columns

Driver Configuration (MVOLT)	Minimum Dimming Level	Control Input	Driver	Dimming Range	Notes
	DARK	DMX	eldoLED Powerdrive DMX/RDM Compatible	100% to 0.1%	Linear (LIN) dimming curve.

ADDITIONAL OPTIONS

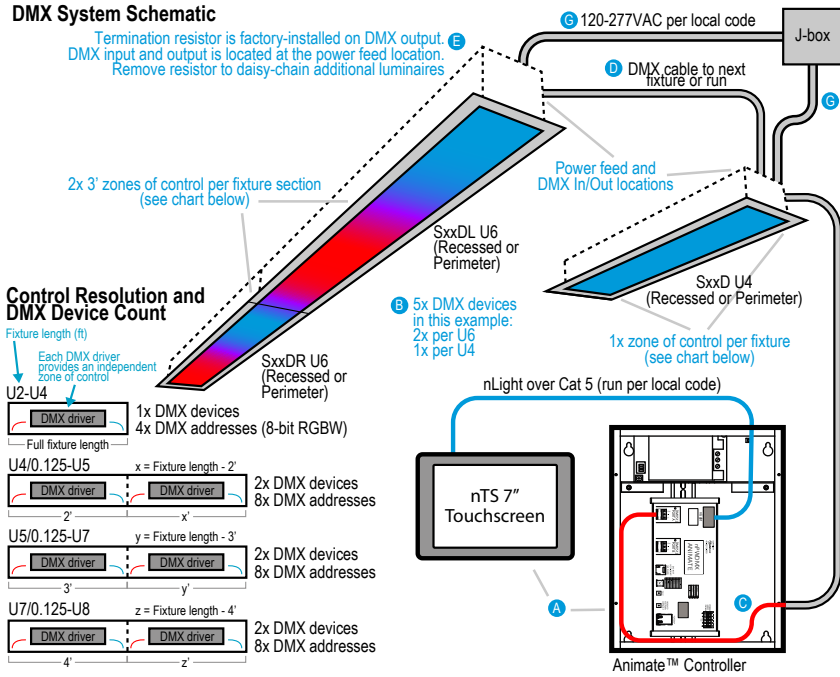
Wet Location (WL)

- * Wet location fixtures can be recognized by the reflector end cap which is already installed into the fixture.
- * Wet location fixtures are available as individual fixture sections starting at 2FT through 8FT maximum run length.
- * Wet location is suitable for covered ceiling mount installation only, where any water exposure is from beneath the non-porous mount surface.
- * Lens is not sealed or gasketed.



BASIC SYSTEM WIRING INFORMATION WITH DMX

This very basic system wiring diagram provides an overview of components and materials required for a simple installation of Slot Recessed luminaires controlled by a DMX controller. These diagrams should not be used in place of actual installation instructions or submittal drawings prepared for a specific project.



- A** DMX controller providing DMX-512 control. To supply a complete system DMX/RDM set-up and playback control solution, use one of the following options:
 - Animate™ Controller by nLight® with nTS Touchscreen by nLight®
 - DMX control on the nLight network for smooth fades and stunning dynamics
 - Control up to 500 RGBx zones with maximum "pixel" resolution with U4 option
 - Built-in logic engine to automate lighting rhythms, holiday Looks and scheduling
 - Program with Pathscope software from Pathway Connectivity Solutions®, loaded with built in effects allowing unlimited control of color, speed and transitions
 - Not compatible with Fresco
 - nPWDMX ANIMATE U1 controls up to 128 RGBx zones and provides two DMX runs (each run supports 32 DMX devices and 1000ft of total cable length) Add one or more PWREP splitters for systems with more than 64 DMX devices.
 - Fresco
 - Manage multiple light sources in multiple lighting zones, all from one controller
 - On screen lighting design and set-up, no computer required or Ethernet connection for remote configuration and advanced control
 - All device settings are stored on-board in non-volatile memory
 - Not compatible with Animate™ Controller
 - Fresco provides one DMX run. Add one or more PWREP splitters for systems with more than 32 DMX devices
- B** A maximum of 32 DMX Devices can be connected to a single DMX run from any DMX controller. The maximum length of cord and luminaire run combined is 1000 feet per DMX/RDM specification.
- C** DMX run to luminaires. Belden 9829 cable is the preferred communication/data cable used to carry the DMX signal to and from the controllers and luminaires. The total length of this cable must not exceed 1000 feet from the DMX controller to the last DMX device. No luminaires should be installed between DMX Controller and any PWREP. Belden 9829 cable is not plenum rated, so run in conduit per local code in plenum spaces.
- D** Data can be daisy-chained from fixture to fixture in conduits. Use Belden 9829 for data and do not exceed the maximum DMX device count or cable run length per DMX run. Consult fixture installation instructions for fixture connection and termination recommendations.
- E** To ensure data integrity, a termination with 120 Ohm resistor is required on the DMX output of the last luminaire in each run. Mark Slot fixtures have DMX input and output at the feed location of all feed fixtures (PWRF in fixture nomenclature) with a 120 Ohm resistor factory-installed on the output. Remove for daisy-chaining to additional fixtures or runs. See installation instructions for detail.
- G** Power should be run to luminaire junction box locations in conduits per local code.

PATHWAY CONNECTIVITY SOLUTIONS - DMX NETWORKING AND ADVANCED CONTROL

DMX512 networks create dynamic lighting. Dynamic lighting often brings a lot of color and movement to spaces. The DMX512 lighting protocol was created to serve the needs of performance lighting, such as in theaters or music venues. A DMX network is designed to support large amounts of data continually moving between controllers and luminaires, and at very high speeds. Many non-performance lighting applications also rely on DMX networks, to support RGB LED luminaires featured in applications such as building façades, hotel lobbies and corporate reception areas.

A DMX network always includes a controller and luminaires that are compatible with the DMX protocol. Also, DMX lighting systems must include network devices that route the DMX data to different locations between the controllers and luminaires.

Pathway Connectivity provides these network devices, creating robust and secure network backbones. Pathway devices create bridges between Ethernet and DMX, and DMX and other kinds of lighting control protocols, such as RDM, nLight® or 0-10v.

DMX Splitter

Model
PWREP WM P4 TERM RDM REPEATER DMX/RDM OPTO-SPLITTER (Must be purchased separately)

The PWREP serves as a 4-run splitter enabling up to 128 DMX devices to be controlled from a single device. Use for installations containing more DMX devices than can be supported by your controller's outputs. Refer to the PWREP spec sheet for dimensions and mounting details.



PWREP DMX/RDM Opto-Splitter [PWREP WM P4 TERM RDM]

nTS Touchscreen by nLight® [nTS 7IN]

Animate™ Controller by nLight® [nPWDMX ANIMATE...U1]

Fresco Control System [FCS 7TSN X]

SPECIFICATIONS

Housing

Nominal 6" x 2', 3', 4', 5', 6', 7', 8' and continuous rows in 1/8" increments starting at 2', as standard. Upper housing fabricated from cold-rolled steel with extruded aluminum ceiling trim.

Finish

Standard colors for fixture trims are polyester powder coated white, anti-microbial white, black, or silver with satin sheen. Consult factory for custom colors or specify RAL colors from Architectural brochure.

Reflector

Precision-formed steel; high reflectance matte white powder coat; 93% reflectivity.

Optics (Distribution)

Direct Batwing (DBW) and Direct Asymmetric (DAS) incorporate co-extruded lenses and films.

Lenses/Shielding

Extruded acrylic lens, (CLL, FLL).

Mounting

Sheetrock: Recessed ceiling only to accommodate sheetrock, 1/2" minimum to 1-1/2" maximum depth for FL, GB, FLINB or GBINB trim options. Grid: To accommodate 9/16" Flat Tee with Lay-In Tile, 9/16" Flat Tee with Tegular Tile, 9/16" Slot Tee with Tegular Tile, 15/16" Flat Tee with Lay-In Tile, & 15/16" Flat Tee with Tegular Tile.

LED Source

LED's in a single row at 1:1 ratio (1xRed, 1xGreen, 1xBlue, 1xWhite) Red (623 nm), Green (528nm), Blue (470nm) and White 4000K 90CRI diodes provide a full range of color. The Acuity Brands circuit boards for the linear LED components use a precise binning algorithm which creates a consistent color temperature from board to board. Color variation of no greater than a 2.5 Step MacAdam (2.55DECM) along the black body locus from board to board.

Electrical

Long-life LEDs, coupled with high-efficiency drivers, provide superior quantity and quality of illumination for extended service life. 90% LED lumen maintenance at 60,000 hours (L90/60,000).

Circuits

Single switching option only.

Dimming Driver

Factory tuned constant current electronic dimming driver is standard. Flicker free dimming available down to <1%. LED drivers perform within the recommended operating areas for flicker as a function of frequency and modulation (%) IEEE Standard 1789-2015 (IEEE Recommended Practices for Modulating Current in High-Brightness LEDs for Mitigating Health Risks to Viewers), in typical operating conditions at representative dimming levels. Electrical specifications at maximum driver load: PF > 0.9 and THD <20%. Meets FCC Title 47 Class A or Class B. All drivers are RoHS compliant.

Controls System Networking Options

DMX512/remote device management protocol, may be controlled with EasyL, Fresco, or any DMX512 interface system.

Resolution(DMX/RDM)

Resolution varies depending upon length of fixture. U2 - U4 = 1 DMX Device (complete fixture length) U4/0.125 - U5 = 2 DMX devices (2-foot length & remaining length) U5/0.125 - U7 = 2 DMX devices (3-foot length & remaining length) U7/0.125 - U8 = 2 DMX devices (4-foot length & remaining length).

Ambient Operating Temperature Range

-20°C (-4° F) to +25°C (+77°F)

Environment

Suitable for damp location. Indoor use only. Optional Wet (WL) location exterior use available with specified nomenclature.

Certification

CSA certified to meet U.S. and Canadian standards (UL1598 and UL8750). This product is IC rated. Optional Wet (WL) location listing available with specified nomenclature. Wet location listing is suitable for covered ceiling mount installation only, where any water exposure is beneath the non-porous mount surface.

Fixture Weight

Approximately 6.0 lbs per foot, less packaging.

Government Procurement

BAA - Buy America(n) Act: Product qualifies as a domestic end product under the Buy American Act as implemented in the FAR and DFARS. Product also qualifies as manufactured in the United States under DOT Buy America regulations.

BABA - Build America Buy America: Product qualifies as produced in the United States under the definitions of the Build America, Buy America Act.

Please refer to www.acuitybrands.com/buy-american for additional information.

Warranty

5-year limited warranty. This is the only warranty provided and no other statements in this specification sheet create any warranty of any kind. All other express and implied warranties are disclaimed. Complete warranty terms located at: www.acuitybrands.com/support/warranty/terms-and-conditions

Notes: Actual performance may differ as a result of end-user environment and application.

All values are design or typical values, measured under laboratory conditions at 25 °C.

Specifications subject to change without notice