



# Valiant™ Full Cutoff LED

## Series AVPCL2

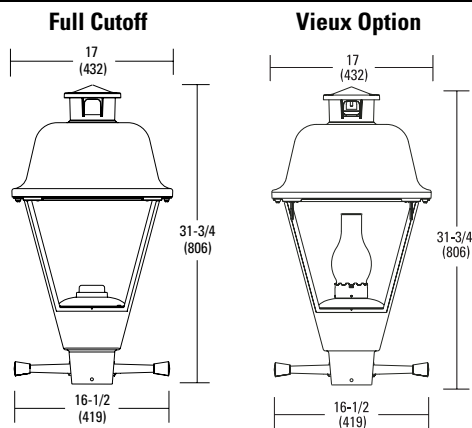
### PRODUCT OVERVIEW



### Applications:

- Roadways
- Streetscapes
- Walkways
- Pathways
- Parks

### DIMENSIONS



#### Effective Projected Area (EPA)

The EPA for the AVPCL2 is 1.4 sq. ft.  
 The EPA for the AVPCL2 Vieux is 2.4 sq. ft.  
 Fixture weight = 38 lbs.

Shown with SCC cupola option. Reference page 3 for detail on cupola options

### STANDARDS

Rated from -40°C up to 40°C ambient  
 CSA Certified to U.S. and Canadian standards  
 Complies with all applicable ANSI C136 standards

#### Government Procurement

**BAA** – Buy America(n) Act: Product with the BAA option qualifies as a domestic end product under the Buy American Act as implemented in the FAR and DFARS. Product with the BAA option also qualifies as manufactured in the United States under DOT Buy America regulations.  
**BABA** – Build America Buy America: Product with the BAA option also qualifies as produced in the United States under the definitions of the Build America, Buy America Act.

Please refer to [www.acuitybrands.com/resources/buy-american](http://www.acuitybrands.com/resources/buy-american) for additional information.

Note: Specifications subject to change without notice.

Valiant Full Cutoff LED Series - AVPCL2

### Features:

#### OPTICAL

Producing between 3,300-14,700 lumens, the Valiant AVPCL2 family replaces up to 250W HID luminaires with optimal performance and visual comfort in a variety of applications.

Zero uplight to minimize light pollution and protect the night skies.

Silicone optics provide superior optical efficiency, thermal performance, and reduction in dirt accumulation, all of which can lead to long term lumen degradation and a shift in optical distribution.

IP66 proven workhorse LED light engine in 16 different output packages.

Available in color temperature choices of 2700K, 3000K and 4000K, all at a 70 CRI minimum

Silicon optics provide crisp, well defined lighting distributions in four (4) distinct light distribution options; Type II, Type III, Type IV, and Type V

#### ELECTRICAL

LED light engines are rated >100,000 hours at 25°C, L70. Electronic driver has an expected life of 100,000 hours at a 25°C ambient.

Saves an expected of 40-60% over comparable HID luminaires.

Two different surge protection options provide a minimum of ANSI C136.2 10kV/5kA (standard) or 20kV/10kA protection.

Luminaire available with either a 0-10v dimmable driver or DALI D4i driver. Luminaire is continuous and step dimming capable via AO option or other installed controls.

XVOLT tank driver option for protection against dropped neutrals and other power quality issues.

#### MECHANICAL

Die-cast aluminum housing, engineered for sturdy lifelong performance complete with die-cast aluminum hood featuring a trigger latch (TL) option and captive thumb screws for fast, easy electrical and optical chamber access.

Standard black finish is matte texture. All other finishes are smooth gloss.

Housing is tenon pole-mounted and designed for use with a 3" tall by 2-3/8" to 3" diameter tenon, and secured by three set screws.

#### CONTROLS

The Acuity designed ANSI 7-pin receptacle is available, which supports traditional locking style photocontrols such as the Extreme long-life solid-state locking style photocontrol - PCLL (20 year rated life).

Optional onboard Adjustable Output module allows the light output and input wattage to be modified to meet site specific requirements, and also can allow a single fixture to be flexibly applied in many different applications.

The DC Connect option is a factory embedded low voltage dusk to dawn photocontrol that increases longevity vs. line voltage controls and also eliminates the need to separately inventory controls.

The Local Connect option provides a simple means to collect luminaire attribute data, asset location information and execute point-to-point on/off/dim commands via secure Bluetooth link using smartphone platforms.

Cell Connect is an embedded network photocontrol with cellular communication. It provides digital switching, precise dimming, and revenue grade metrology. Cell Connect leverage D4i drivers to communicate real-time data to UbiVu, a cloud-based asset management system.

Additionally, it can be equipped with sensor-ready technology to support Zhaga standard sensors enabling smart city solutions utilizing long range network nodes to enable remote monitoring and control.

Variety of cupola options to accommodate nearly any node on the market in an aesthetic shroud.

# Valiant™ Full Cutoff LED

## Series AVPCL2

### ORDERING INFORMATION

| Series                                | Performance Package |             |                  |                |             |                  | Voltage      |   |
|---------------------------------------|---------------------|-------------|------------------|----------------|-------------|------------------|--------------|---|
| <b>AVPCL2</b> Valiant Full Cutoff LED | <b>Package</b>      | Input Watts | Lumens (nominal) | <b>Package</b> | Input Watts | Lumens (nominal) | <b>MVOLT</b> | 120-277V  |
|                                       | <b>P101</b>         | 30          | 3,400            | <b>P300</b>    | 61          | 7,400            | <b>HVOLT</b> | 347-480V  |
|                                       | <b>P102</b>         | 40          | 4,300            | <b>P301</b>    | 70          | 8,300            | <b>XVOLT</b> | 277-480V with enhanced power quality protection |
|                                       | <b>P103</b>         | 50          | 5,200            | <b>P302</b>    | 80          | 9,400            |              |   |
|                                       | <b>P151</b>         | 50          | 5,500            | <b>P303</b>    | 90          | 10,300           |              |   |
|                                       | <b>P152</b>         | 60          | 6,600            | <b>P304</b>    | 100         | 11,100           |              |   |
|                                       | <b>P153</b>         | 70          | 7,400            | <b>P451</b>    | 100         | 12,200           |              |   |
|                                       | <b>P201</b>         | 70          | 7,800            | <b>P452</b>    | 110         | 13,200           |              |   |
|                                       | <b>P202</b>         | 80          | 8,600            |                |             |                  |              |   |
|                                       | <b>P203</b>         | 90          | 9,300            |                |             |                  |              |   |

| Driver                          | Color Temperature (CCT) | Distribution       | Paint (textured)       | Top Receptacle                   |
|---------------------------------|-------------------------|--------------------|------------------------|----------------------------------|
| <b>ZT</b> 0-10V dimmable driver | <b>27K</b> 2700K        | <b>R2</b> Type II  | <b>BK</b> Black        | <b>NTR</b> No Top receptacle     |
| <b>D4I</b> D4I driver           | <b>30K</b> 3000K        | <b>R3</b> Type III | <b>GY</b> Gray         | <b>PR3</b> 3 Pin NEMA receptacle |
|                                 | <b>40K</b> 4000K        | <b>R4</b> Type IV  | <b>DDB</b> Dark Bronze | <b>PR7</b> 7 pin NEMA receptacle |
|                                 |                         | <b>R5</b> Type V   | <b>WH</b> White        | <b>ZRT</b> Zhaga receptacle top  |
|                                 |                         |                    | <b>BZ</b> Bronze       |                                  |

| Cupola                       | Twist-Lock Photocontrols   | Embedded Controls                  |
|------------------------------|--|------------------------------------|
| <b>SCC</b> Standard cupola   | <b>PCLL</b> Solid State Long Life Photocontrol, 120-277V (fail off)      | <b>ALCB</b> Local Connect Basic    |
| <b>SNC</b> Smart node cupola | <b>PCSS</b> Solid State Photocontrol 120-277V (fail on) (Not CSA Listed) | <b>ALCC</b> Local Connect Custom   |
| <b>XC</b> No cupola          | <b>P34</b> Solid State Long Life Photocontrol, 347V (fail off)           | <b>ALCF</b> Local Connect Full     |
|                              | <b>P48</b> Solid State Long Life Photocontrol, 480V (fail off)           | <b>DDC</b> DC Connect Photocontrol |
|                              | <b>SH</b> Shorting cap   | <b>UBC</b> Cell Connect            |
|                              | <b>DZP</b> DTL DZP DC Zhaga Photocontrol                                 |                                    |

| Miscellaneous Options                              |  |                                  |  |
|--|--|----------------------------------|--|
| <b>XL</b> Not CSA Listed (no terminal block cover) | <b>LDR</b> Ladder Rest   | <b>Prewired leads</b>            | <b>Accessory</b>   |
| <b>AO</b> Field Adjustable Output module           | <b>CR</b> Epoxy Pre-Coat Finish  | <b>L1H</b> 1.5 ft. prewire leads | <b>House Side Shield shipped separately and installed in the field</b> |
| <b>SS</b> Stainless Steel hardware                 | <b>20kV</b> 20kV/10kA surge protection device                            | <b>L03</b> 3 ft. prewire leads   | <b>FHSSLEM10-15R2/R5</b> P10x or P15x package, R2 or R5 optic          |
| <b>TL</b> Tool-less trigger latch entry            | <b>BAA</b> Buy America(n) Act and/or Build America Buy America Qualified | <b>L10</b> 10 ft. prewire leads  | <b>FHSSLEM10-15R3</b> P10x or P15x package, R3 optic                   |
| <b>NL1X1</b> 1" x 1" NEMA label                    | <b>VX</b> Vieux Option   | <b>L20</b> 20 ft. prewire leads  | <b>FHSSLEM20-30R2/R5</b> P20x or P30x package, R2 or R5 optic          |
| <b>NL2X2</b> 2" x 2" NEMA label                    | <b>VXCA</b> VX option with Clear Acrylic lens                            | <b>L25</b> 25 ft. prewire leads  | <b>FHSSLEM20-30R3</b> P20x or P30x package, R3 optic                   |
|  | <b>HSS</b> Factory Installed Louvered HSS                                | <b>L30</b> 30 ft. prewire leads  | <b>FHSSLEM45R2/R5</b> P45x package, R2 or R5 optic                     |
|  |  |                                  | <b>FHSSLEM45R3</b> P45x package, R3 optic                              |

Note: Check the OPTIONS MATRIX on page 3 for compatibility and restrictions.



AEL Headquarters, 3825 Columbus Road, Granville, OH 43023  
 www.americanelectriclighting.com  
 © 2014-2025 Acuity Brands Lighting, Inc. All Rights Reserved. AVPCL2 Rev. 01/28/25

**Warranty** Five-year limited warranty. This is the only warranty provided and no other statements in this specification sheet create any warranty of any kind. All other express and implied warranties are disclaimed. Complete warranty terms located at: [www.acuitybrands.com/support/warranty/terms-and-conditions](http://www.acuitybrands.com/support/warranty/terms-and-conditions)

**Note:** Actual performance may differ as a result of end-user environment and application. All values are design or typical values, measured under laboratory conditions at 25 °C. Specifications subject to change without notice.

*Please contact your sales representative for the latest product information.*

# Valiant™ Full Cutoff LED

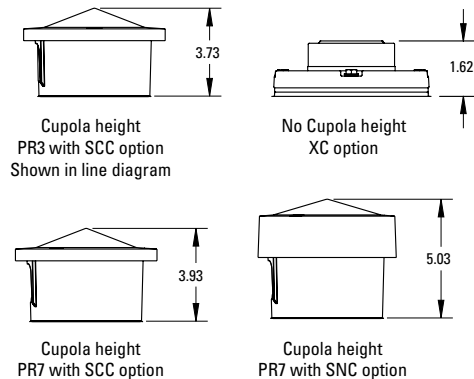
## Series AVPCL2

### OPTIONS MATRIX

| AVPCL2                   |       | Voltage |       |       | Driver |     | Top Receptacle |     |     |     | Cupola |     |    | Twist-Lock Photocontrols |      |     |     |    |     | Embedded Controls |      |      |     |     | Other |   |
|--------------------------|-------|---------|-------|-------|--------|-----|----------------|-----|-----|-----|--------|-----|----|--------------------------|------|-----|-----|----|-----|-------------------|------|------|-----|-----|-------|---|
|                          |       | MVOLT   | HVOLT | XVOLT | ZT     | D4I | NTR            | PR3 | PR7 | ZRT | SCC    | SNC | XC | PCLL                     | PCSS | P34 | P48 | SH | DZP | ALCB              | ALCC | ALCF | DDC | UBC | AO    |   |
| Voltage                  | MVOLT |         |       |       | Y      | Y   | Y              | Y   | Y   | Y   | Y      | Y   | Y  | Y                        | Y    | N   | N   | Y  | Y   | Y                 | Y    | Y    | Y   | Y   | Y     | Y |
|                          | HVOLT |         |       |       | Y      | Y   | Y              | Y   | Y   | Y   | Y      | Y   | Y  | N                        | N    | Y   | Y   | Y  | Y   | Y                 | Y    | Y    | Y   | Y   | Y     | Y |
|                          | XVOLT |         |       |       | Y      | Y   | Y              | Y   | Y   | Y   | Y      | Y   | Y  | Y                        | Y    | Y   | Y   | Y  | Y   | Y                 | Y    | Y    | Y   | Y   | Y     | Y |
| Driver                   | ZT    | Y       | Y     | Y     |        |     | Y              | Y   | Y   | N   | Y      | Y   | Y  | Y                        | Y    | Y   | Y   | N  | N   | N                 | N    | N    | N   | N   | Y     |   |
|                          | D4I   | Y       | Y     | Y     |        |     | Y              | N   | Y   | Y   | Y      | Y   | Y  | Y                        | Y    | Y   | Y   | Y  | Y   | Y                 | Y    | Y    | Y   | Y   | N     |   |
| Top Receptacle           | NTR   | Y       | Y     | Y     | Y      | Y   |                |     |     |     | Y      | N   | Y  | N                        | N    | N   | N   | N  | N   | N                 | N    | N    | N   | N   | Y     |   |
|                          | PR3   | Y       | Y     | Y     | Y      | N   |                |     |     |     | Y      | N   | Y  | Y                        | Y    | Y   | Y   | N  | N   | N                 | N    | N    | N   | N   | Y     |   |
|                          | PR7   | Y       | Y     | Y     | Y      | Y   |                |     |     |     | Y      | Y   | Y  | Y                        | Y    | Y   | Y   | N  | N   | N                 | N    | N    | N   | N   | Y     |   |
|                          | ZRT   | Y       | Y     | Y     | N      | Y   |                |     |     |     | Y      | Y   | Y  | N                        | N    | N   | N   | Y  | N   | N                 | N    | N    | N   | N   | N     |   |
| Cupola                   | SCC   | Y       | Y     | Y     | Y      | Y   | Y              | Y   | Y   | Y   |        |     |    | Y                        | Y    | Y   | Y   | Y  | Y   | Y                 | Y    | Y    | Y   | Y   | Y     |   |
|                          | SNC   | Y       | Y     | Y     | Y      | Y   | N              | N   | Y   | Y   |        |     |    | Y                        | Y    | Y   | Y   | Y  | Y   | Y                 | Y    | Y    | Y   | N   | Y     |   |
|                          | XC    | Y       | Y     | Y     | Y      | Y   | Y              | Y   | Y   | Y   |        |     |    | Y                        | Y    | Y   | Y   | Y  | Y   | Y                 | Y    | Y    | Y   | Y   | Y     |   |
| Twist-Lock Photocontrols | PCLL  | Y       | N     | Y     | Y      | Y   | N              | Y   | Y   | N   | Y      | Y   | Y  |                          |      |     |     |    |     |                   |      |      |     |     | N     |   |
|                          | PCSS  | Y       | N     | Y     | Y      | Y   | N              | Y   | Y   | N   | Y      | Y   | Y  |                          |      |     |     |    |     |                   |      |      |     |     | N     |   |
|                          | P34   | N       | Y     | Y     | Y      | Y   | N              | Y   | Y   | N   | Y      | Y   | Y  |                          |      |     |     |    |     |                   |      |      |     |     | N     |   |
|                          | P48   | N       | Y     | Y     | Y      | Y   | N              | Y   | Y   | N   | Y      | Y   | Y  |                          |      |     |     |    |     |                   |      |      |     |     | N     |   |
|                          | SH    | Y       | Y     | Y     | Y      | Y   | N              | Y   | Y   | N   | Y      | Y   | Y  |                          |      |     |     |    |     |                   |      |      |     |     | N     |   |
| DZP                      | Y     | Y       | Y     | N     | Y      | N   | N              | N   | Y   | Y   | Y      | Y   |    |                          |      |     |     |    |     |                   |      |      |     | N   |       |   |
| Embedded Controls        | ALCB  | Y       | Y     | Y     | N      | Y   | Y              | N   | N   | N   | Y      | Y   | Y  | N                        | N    | N   | N   | N  | N   | N                 | N    | N    | N   | N   | N     |   |
|                          | ALCC  | Y       | Y     | Y     | N      | Y   | Y              | N   | N   | N   | Y      | Y   | Y  | N                        | N    | N   | N   | N  | N   | N                 | N    | N    | N   | N   | N     |   |
|                          | ALCF  | Y       | Y     | Y     | N      | Y   | Y              | N   | N   | N   | Y      | Y   | Y  | N                        | N    | N   | N   | N  | N   | N                 | N    | N    | N   | N   | N     |   |
|                          | DDC   | Y       | Y     | Y     | N      | Y   | Y              | N   | N   | N   | Y      | Y   | Y  | N                        | N    | N   | N   | N  | N   | N                 | N    | N    | N   | N   | N     |   |
|                          | UBC   | Y       | Y     | Y     | N      | Y   | Y              | N   | N   | N   | Y      | Y   | Y  | N                        | N    | N   | N   | N  | N   | N                 | N    | N    | N   | N   | N     |   |
| Other                    | AO    | Y       | Y     | Y     | Y      | N   | Y              | Y   | Y   | N   | Y      | Y   | Y  | Y                        | Y    | Y   | Y   | N  | N   | N                 | N    | N    | N   | N   | N     |   |

| Cupola Control Node Compatibility |                    |               |                       |         |
|-----------------------------------|--------------------|---------------|-----------------------|---------|
| Cupola Option                     | Control Dimensions |               | Acuity Brands Control |         |
|                                   | Max. Height        | Max. Diameter | nLight rTLN           | DTL DIN |
| XC                                | Any                | Any           | Yes                   | Yes     |
| SCC                               | 2.34" (59 mm)      | 4.0" (102mm)  | No                    | No      |
| SNC                               | 3.43" (87 mm)      | 4.0" (102mm)  | No                    | Yes     |

Cupolas may affect 3rd party control performance. Always test 3rd party controls for fit and functionality.



\*See Cupola Control Node Compatibility chart to ensure compatibility with smart controls

All dimensions are inches (millimeters) unless otherwise noted.

| AVPCL2        |      | Distribution |    |    |    |       | Driver/Voltage |       |     |       |     |
|---------------|------|--------------|----|----|----|-------|----------------|-------|-----|-------|-----|
|               |      | R2           | R3 | R4 | R5 | MVOLT |                | HVOLT |     | XVOLT |     |
|               |      |              |    |    |    | ZT    | D4I            | ZT    | D4I | ZT    | D4I |
| Lumen Package | P101 | Y            | Y  | Y  | Y  | Y     | Y              | N     | Y   | N     | Y   |
|               | P102 | Y            | Y  | Y  | Y  | Y     | Y              | Y     | Y   | N     | Y   |
|               | P103 | Y            | Y  | Y  | Y  | Y     | Y              | Y     | Y   | N     | Y   |
|               | P151 | Y            | Y  | N  | Y  | Y     | Y              | Y     | Y   | Y     | Y   |
|               | P152 | Y            | Y  | N  | Y  | Y     | Y              | Y     | Y   | Y     | Y   |
|               | P153 | Y            | Y  | N  | Y  | Y     | Y              | Y     | Y   | N     | Y   |
|               | P201 | Y            | Y  | Y  | Y  | Y     | Y              | Y     | Y   | Y     | Y   |
|               | P202 | Y            | Y  | Y  | Y  | Y     | Y              | Y     | Y   | Y     | Y   |
|               | P203 | Y            | Y  | Y  | Y  | Y     | Y              | Y     | Y   | N     | Y   |
|               | P300 | Y            | Y  | Y  | Y  | Y     | Y              | Y     | Y   | N     | Y   |
|               | P301 | Y            | Y  | Y  | Y  | Y     | Y              | Y     | Y   | Y     | Y   |
|               | P302 | Y            | Y  | Y  | Y  | Y     | Y              | Y     | Y   | Y     | Y   |
|               | P303 | Y            | Y  | Y  | Y  | Y     | Y              | Y     | Y   | Y     | Y   |
|               | P304 | Y            | Y  | Y  | Y  | Y     | Y              | Y     | Y   | Y     | Y   |
|               | P451 | Y            | Y  | N  | Y  | Y     | Y              | Y     | Y   | N     | Y   |
| P452          | Y    | Y            | N  | Y  | Y  | Y     | Y              | Y     | Y   | Y     |     |



**Warranty** Five-year limited warranty. This is the only warranty provided and no other statements in this specification sheet create any warranty of any kind. All other express and implied warranties are disclaimed. Complete warranty terms located at: [www.acuitybrands.com/support/warranty/terms-and-conditions](http://www.acuitybrands.com/support/warranty/terms-and-conditions)

**Note:** Actual performance may differ as a result of end-user environment and application. All values are design or typical values, measured under laboratory conditions at 25 °C. Specifications subject to change without notice.

Please contact your sales representative for the latest product information.

# Valiant™ Full Cutoff LED

## Series AVPCL2

### OPERATING CHARACTERISTICS

| Performance Package | Wattage | CCT   | AVPCL2 |     |        |     |        |     |        |     |
|---------------------|---------|-------|--------|-----|--------|-----|--------|-----|--------|-----|
|                     |         |       | R2     |     | R3     |     | R4     |     | R5     |     |
|                     |         |       | Lumens | LPW | Lumens | LPW | Lumens | LPW | Lumens | LPW |
| P101                | 30      | 2700K | 3,350  | 112 | 3,325  | 111 | 3,483  | 116 | 3,460  | 115 |
|                     |         | 3000K | 3,406  | 114 | 3,380  | 113 | 3,541  | 118 | 3,518  | 117 |
|                     |         | 4000K | 3,638  | 121 | 3,610  | 120 | 3,782  | 126 | 3,758  | 125 |
| P102                | 40      | 2700K | 4,232  | 106 | 4,200  | 105 | 4,400  | 110 | 4,372  | 109 |
|                     |         | 3000K | 4,303  | 108 | 4,270  | 107 | 4,473  | 112 | 4,444  | 111 |
|                     |         | 4000K | 4,596  | 115 | 4,561  | 114 | 4,778  | 119 | 4,748  | 119 |
| P103                | 50      | 2700K | 5,126  | 103 | 5,087  | 102 | 5,329  | 107 | 5,295  | 106 |
|                     |         | 3000K | 5,211  | 104 | 5,171  | 103 | 5,418  | 108 | 5,383  | 108 |
|                     |         | 4000K | 5,567  | 111 | 5,524  | 110 | 5,787  | 116 | 5,750  | 115 |
| P151                | 50      | 2700K | 5,478  | 110 | 5,436  | 109 | -      | -   | 5,658  | 113 |
|                     |         | 3000K | 5,569  | 111 | 5,526  | 111 | -      | -   | 5,752  | 115 |
|                     |         | 4000K | 5,949  | 119 | 5,903  | 118 | -      | -   | 6,145  | 123 |
| P152                | 60      | 2700K | 6,556  | 109 | 6,506  | 108 | -      | -   | 6,772  | 113 |
|                     |         | 3000K | 6,664  | 111 | 6,614  | 110 | -      | -   | 6,884  | 115 |
|                     |         | 4000K | 7,119  | 119 | 7,065  | 118 | -      | -   | 7,354  | 123 |
| P153                | 70      | 2700K | 7,346  | 105 | 7,290  | 104 | -      | -   | 7,588  | 108 |
|                     |         | 3000K | 7,468  | 107 | 7,411  | 106 | -      | -   | 7,714  | 110 |
|                     |         | 4000K | 7,978  | 114 | 7,917  | 113 | -      | -   | 8,241  | 118 |
| P201                | 70      | 2700K | 7,715  | 110 | 7,656  | 109 | 8,021  | 115 | 7,969  | 114 |
|                     |         | 3000K | 7,843  | 112 | 7,783  | 111 | 8,154  | 116 | 8,101  | 116 |
|                     |         | 4000K | 8,378  | 120 | 8,314  | 119 | 8,710  | 124 | 8,654  | 124 |
| P202                | 80      | 2700K | 8,515  | 106 | 8,451  | 106 | 8,853  | 111 | 8,796  | 110 |
|                     |         | 3000K | 8,657  | 108 | 8,591  | 107 | 9,000  | 113 | 8,942  | 112 |
|                     |         | 4000K | 9,248  | 116 | 9,177  | 115 | 9,614  | 120 | 9,552  | 119 |
| P203                | 90      | 2700K | 9,262  | 103 | 9,192  | 102 | 9,629  | 107 | 9,567  | 106 |
|                     |         | 3000K | 9,416  | 105 | 9,344  | 104 | 9,789  | 109 | 9,726  | 108 |
|                     |         | 4000K | 10,059 | 112 | 9,982  | 111 | 10,457 | 116 | 10,390 | 115 |
| P300                | 61      | 2700K | 7,335  | 120 | 7,279  | 119 | 7,625  | 125 | 7,576  | 124 |
|                     |         | 3000K | 7,456  | 122 | 7,400  | 121 | 7,752  | 127 | 7,702  | 126 |
|                     |         | 4000K | 7,965  | 131 | 7,905  | 130 | 8,281  | 136 | 8,228  | 135 |
| P301                | 70      | 2700K | 8,228  | 118 | 8,165  | 117 | 8,554  | 122 | 8,499  | 121 |
|                     |         | 3000K | 8,364  | 119 | 8,301  | 119 | 8,696  | 124 | 8,640  | 123 |
|                     |         | 4000K | 8,935  | 128 | 8,867  | 127 | 9,289  | 133 | 9,230  | 132 |
| P302                | 80      | 2700K | 9,275  | 116 | 9,204  | 115 | 9,642  | 121 | 9,580  | 120 |
|                     |         | 3000K | 9,429  | 118 | 9,357  | 117 | 9,802  | 123 | 9,739  | 122 |
|                     |         | 4000K | 10,072 | 126 | 9,996  | 125 | 10,471 | 131 | 10,404 | 130 |
| P303                | 90      | 2700K | 10,174 | 113 | 10,097 | 112 | 10,577 | 118 | 10,509 | 117 |
|                     |         | 3000K | 10,343 | 115 | 10,264 | 114 | 10,753 | 119 | 10,684 | 119 |
|                     |         | 4000K | 11,049 | 123 | 10,965 | 122 | 11,487 | 128 | 11,413 | 127 |
| P304                | 100     | 2700K | 10,968 | 110 | 10,884 | 109 | 11,402 | 114 | 11,329 | 113 |
|                     |         | 3000K | 11,150 | 112 | 11,065 | 111 | 11,591 | 116 | 11,517 | 115 |
|                     |         | 4000K | 11,911 | 119 | 11,820 | 118 | 12,383 | 124 | 12,303 | 123 |
| P451                | 100     | 2700K | 12,053 | 121 | 11,961 | 120 | -      | -   | 12,450 | 125 |
|                     |         | 3000K | 12,253 | 123 | 12,159 | 122 | -      | -   | 12,656 | 127 |
|                     |         | 4000K | 13,089 | 131 | 12,989 | 130 | -      | -   | 13,520 | 135 |
| P452                | 110     | 2700K | 13,090 | 119 | 12,991 | 118 | -      | -   | 13,522 | 123 |
|                     |         | 3000K | 13,308 | 121 | 13,206 | 120 | -      | -   | 13,746 | 125 |
|                     |         | 4000K | 14,216 | 129 | 14,108 | 128 | -      | -   | 14,684 | 133 |

| Optic | Lumen Factor |
|-------|--------------|
| AY    | 1.00         |
| PY    | 0.92         |

| Optic | Lumen Factor |
|-------|--------------|
| SAY   | 1.00         |
| SPY   | 0.92         |



AEL Headquarters, 3825 Columbus Road, Granville, OH 43023  
 www.americanelectricalighting.com  
 © 2014-2025 Acuity Brands Lighting, Inc. All Rights Reserved. AVPCL2 Rev. 01/28/25

**Warranty** Five-year limited warranty. This is the only warranty provided and no other statements in this specification sheet create any warranty of any kind. All other express and implied warranties are disclaimed. Complete warranty terms located at: [www.acuitybrands.com/support/warranty/terms-and-conditions](http://www.acuitybrands.com/support/warranty/terms-and-conditions)

**Note:** Actual performance may differ as a result of end-user environment and application. All values are design or typical values, measured under laboratory conditions at 25 °C. Specifications subject to change without notice.

**Please contact your sales representative for the latest product information.**

# Valiant™ Full Cutoff LED

## Series AVPCL2

### PROJECTED LED LUMEN MAINTENANCE

Data references the extrapolated performance projections for the platforms noted in a 25°C ambient, based on 6,000 hours of LED testing (tested per IESNA LM-80-08 and projected per IESNA TM-21-11). To calculate LLF, use the lumen maintenance factor that corresponds to the desired number of operating hours below. For other lumen maintenance values, contact factory.

| Lumen Maintenance (LLD)            |         |           |           |           |           |           |            |
|------------------------------------|---------|-----------|-----------|-----------|-----------|-----------|------------|
| Performance Package                | Initial | 25k hours | 36k hours | 50k hours | 60k hours | 75k hours | 100k hours |
| P101                               | 1.00    | 0.96      | 0.94      | 0.92      | 0.90      | 0.88      | 0.85       |
| P102, P300                         | 1.00    | 0.95      | 0.93      | 0.91      | 0.90      | 0.87      | 0.84       |
| P151, P201, P301                   | 1.00    | 0.95      | 0.93      | 0.91      | 0.89      | 0.87      | 0.83       |
| P103, P152, P202, P302, P303, P451 | 1.00    | 0.95      | 0.93      | 0.90      | 0.89      | 0.86      | 0.82       |
| P304, P452                         | 1.00    | 0.94      | 0.92      | 0.90      | 0.88      | 0.85      | 0.81       |
| P155, P202                         | 1.00    | 0.94      | 0.92      | 0.89      | 0.88      | 0.85      | 0.80       |

### LUMEN AMBIENT TEMPERATURE (LAT) MULTIPLIERS

Use these factors to determine relative lumen output for average ambient temperatures from 0-40°C (32-104°F).

| Ambient Temperature Lumen Multipliers |      |      |      |      |      |      |      |      |
|---------------------------------------|------|------|------|------|------|------|------|------|
| 0°C                                   | 5°C  | 10°C | 15°C | 20°C | 25°C | 30°C | 35°C | 40°C |
| 1.04                                  | 1.03 | 1.02 | 1.02 | 1.01 | 1.00 | 0.99 | 0.98 | 0.97 |

### D4i Driver Option Defaults

| Setting        | Top Receptacle / Photocontrol | Default Value         | Alternate Values |
|----------------|-------------------------------|-----------------------|------------------|
| DALI Power Bus | NTR                           | ON                    | Off              |
|                | ALCB / ALCF / ALCC            | ON                    | none             |
|                | DDC                           | ON                    | none             |
|                | PR7                           | OFF                   | On               |
|                | ZRT                           | ON                    | Off              |
|                | DZP                           | ON                    | Off              |
| Dimming Type   | Any                           | LINEAR                | Logarithmic      |
| 24V AUX        | Any                           | ON<br>(Not Connected) | none             |
| Scenes Data    | Any                           | 0 (blank)             | 01-255           |

\*To program different settings, consult factory; RFD is required



AEL Headquarters, 3825 Columbus Road, Granville, OH 43023  
 www.americanelectriclighting.com  
 © 2014-2025 Acuity Brands Lighting, Inc. All Rights Reserved. AVPCL2 Rev. 01/28/25

**Warranty** Five-year limited warranty. This is the only warranty provided and no other statements in this specification sheet create any warranty of any kind. All other express and implied warranties are disclaimed. Complete warranty terms located at: [www.acuitybrands.com/support/warranty/terms-and-conditions](http://www.acuitybrands.com/support/warranty/terms-and-conditions)

**Note:** Actual performance may differ as a result of end-user environment and application. All values are design or typical values, measured under laboratory conditions at 25 °C. Specifications subject to change without notice.

**Please contact your sales representative for the latest product information.**