

Peerless®
Lighting for People®



Vellum

Sheer Elegance in LED

Modern Family



Expanding Vellum

Peerless® is redefining what luminaire families can now be with the advancement of LED technology. No longer held to the design constraints shaped by older lamp forms, Vellum meets the complex needs of today's multi-functional spaces by providing advanced indirect/direct (I/D) and recessed solutions in an ultra-thin form factor.



Unparalleled Performance

Vellum I/D pendants deliver industry leading performance that offer the widest batwing distribution - making it ideal for close-to-ceiling applications. Its high performance design means fewer luminaires per installation and lower energy consumption - less than one watt per square foot.



Function Meets Form

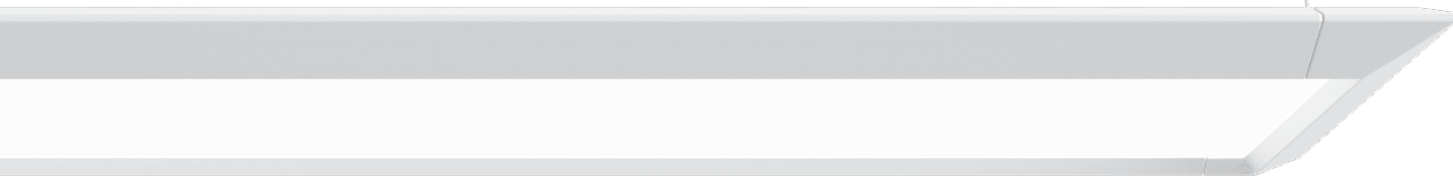
Featuring a remarkably low-profile housing that encases an ultra-thin edge-lit lens, Vellum provides the perfect solution for shallow plenum requirements. This distinctive luminaire family responds to the needs of today's multi-functional environments that highlight technology, encourage collaboration, and create inviting spaces for work and play.



Single-Source Warranty

Vellum is a 360° solution that integrates lighting, controls and technologies all developed and backed by Acuity Brands®. Our single source five year warranty covers all components and construction.





Slim in Profile Heavy on Performance

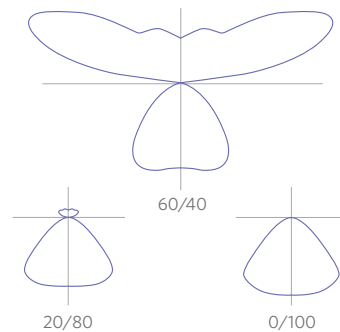


Linear Suspended Indirect/Direct

With a sleek, low-profile form, Vellum valiantly delivers on the promise of LED lighting by combining simple, yet sophisticated, modernity with practical efficiency to provide extraordinary illumination. This award winning indirect/direct luminaire yields an impressive wide batwing distribution allowing for greater spacing and more uniform ceiling illuminance. It's available with rounded or squared end caps, 4 and 8 ft. sections, and measures a mere 1" in height.

Same Great Distributions with Higher Efficiencies

Light guide technology combined with a unique optical design helps Vellum achieve a wide batwing distribution - perfect for close-to-ceiling applications.



Award Winning Performance



Specs at a Glance

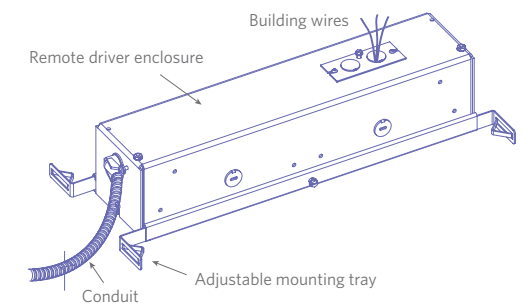
- Now up to **106 LM/W**
- Choice of 80 or 90+ CRI
- Seamless die-cast trims with rounded or squared details
- nLight® enabled
- Emergency battery option

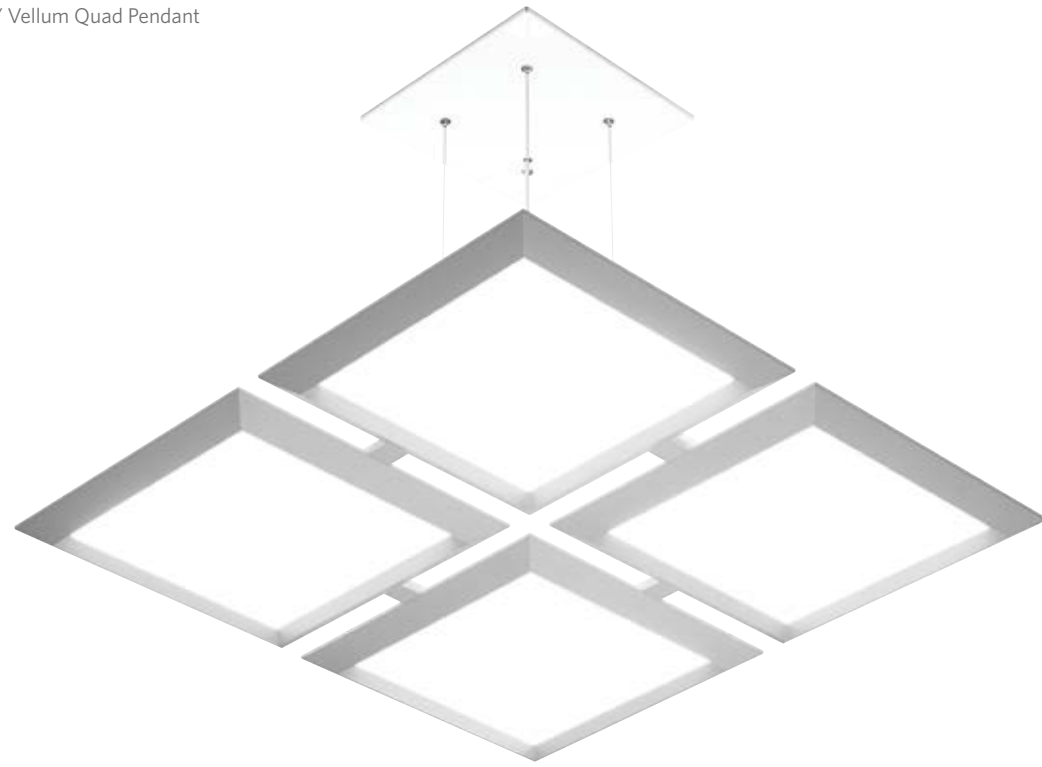
Applications

Ideal for open offices, video conference rooms, educational facilities and various close-to-ceiling applications.

Remote Drivers Made Easy

Vellum luminaires come standard with a plug and play remote driver solution. The driver is housed in a remote mounted, aluminum enclosure and comes pre-wired to make installation simple and easy.





High Performance I/D Reimagined



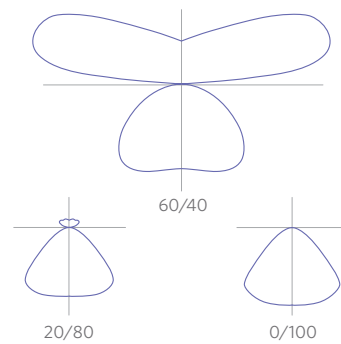
Quad Indirect/Direct Pendant

The Vellum Quad is a distinctive luminaire designed with today's open architecture in mind. Ideal for modern day work spaces, this luminaire provides performance previously only achieved with traditional linear solutions. The Vellum Quad addresses the need for innovative lighting solutions to meet changing design trends in commercial architecture.

This unique pendant uses four edge lit LED panels working in combination to create high performance indirect/direct or direct illumination. Available with 60/40, 20/80 and 0/100 distributions, this luminaire offers flexibility when designing today's open office and educational environments.

Three Great Distribution Choices

High performance indirect/direct reimagined in a non-linear form.



Specs at a Glance

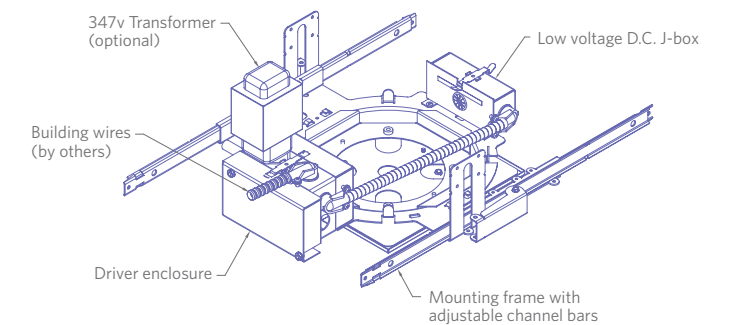
- Up to 112 LM/W
- Choice of 80 or 90+ CRI
- Seamless die-cast trims with rounded or squared details
- nLight® enabled

Applications

Ideal for open offices, huddle spaces, conference rooms, reception areas and other various multi-functional environments.

Simple and Easy Installation

The Vellum Quad uses an adjustable frame that allows for easy installation and alignment of the luminaire. An integrated, aluminum enclosure provides exceptional thermal management for the driver and controls.





Single Sensation



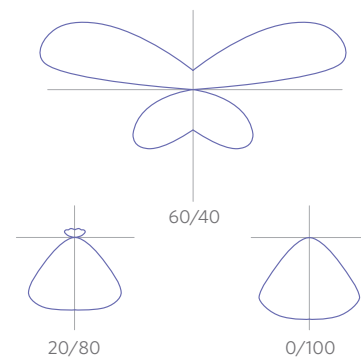
Single Indirect/Direct Pendant

Complement any space with these elegant single pendants. Providing high quality illumination in an ultra-thin form, these 1x1 luminaires are versatile and can be used throughout any space.

These pendants offer beautiful illumination in a small package. Offering up to 2100 lumens, these individual luminaires complement the rest of the Vellum family - available in the same multiple distributions with square or rounded edge details and offered in various stem lengths.

Complementary Performance

Vellum 1x1 single pendants offer the same distribution options as the linear and quad luminaires.



Specs at a Glance

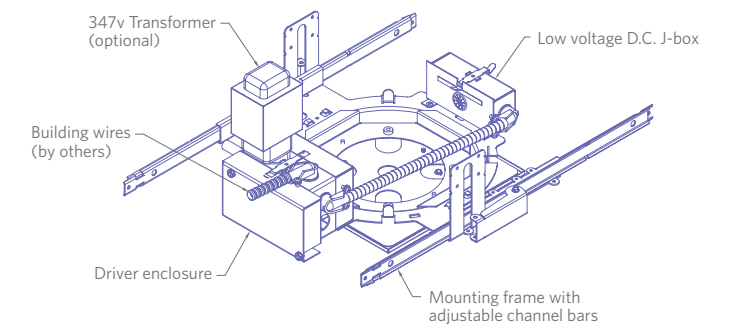
- Up to 109 LM/W
- Choice of 80 or 90+ CRI
- Seamless die-cast trims with rounded or squared details
- nLight® enabled
- Stem lengths up to 48"

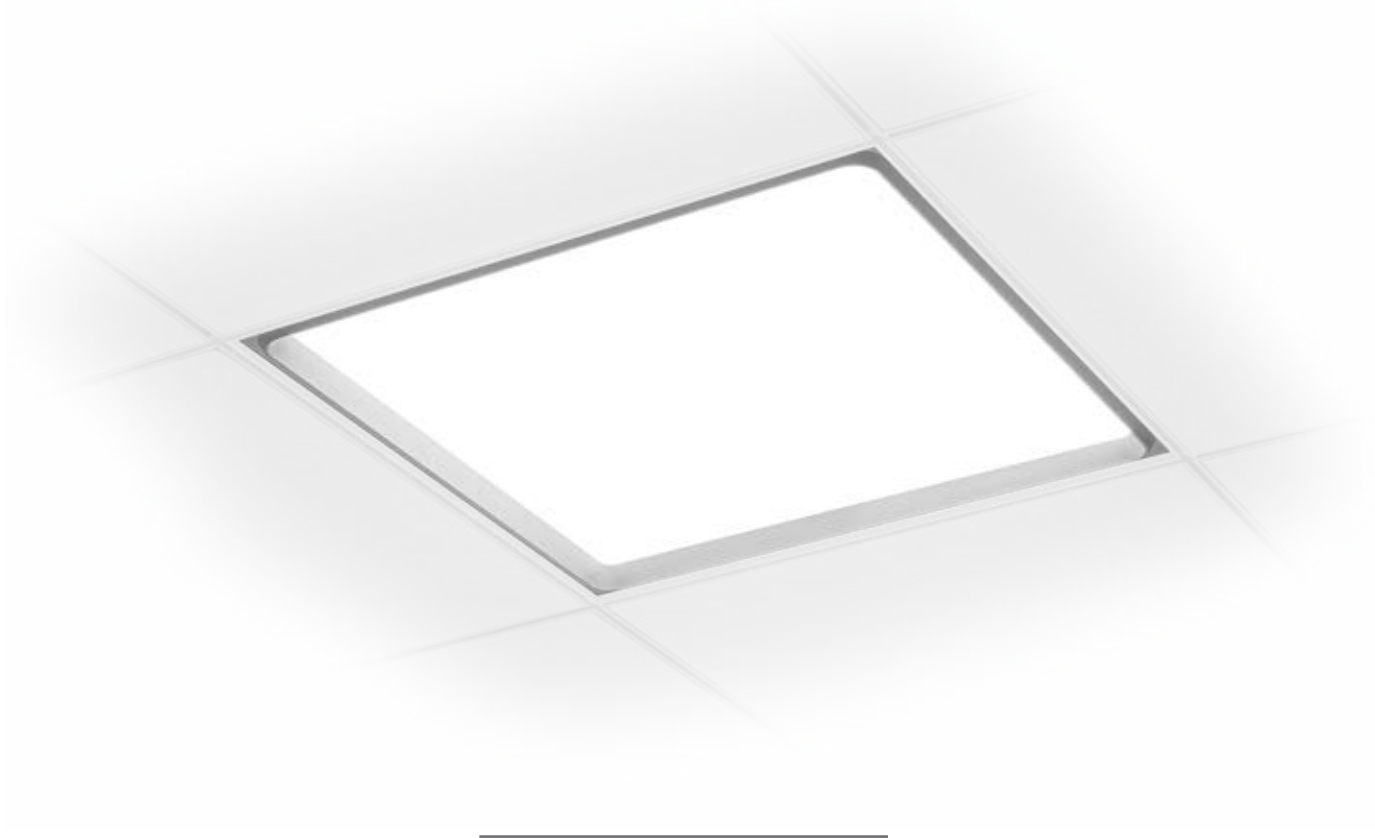
Applications

Ideal for corridors, huddle spaces, lounge areas, reception areas, lobbies, telephone rooms and other similar settings.

Simple and Easy Installation

The Vellum 1x1 pendants use an adjustable frame that allows for easy installation and alignment of the luminaire. An integrated, aluminum enclosure provides exceptional thermal management for the driver and controls.





Round it out with Recessed



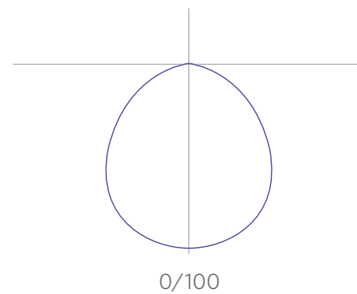
Recessed 2x2

Soft, bright illumination is created with the 2x2 Vellum recessed luminaire. Designed with a slight 1" reveal, the square or rounded articulated detail creates visual interest while staying true to its minimalist form. Like all of the Vellum products, this luminaire delivers glare-free, uniform illumination without visible pixilation often found in other edge-lit products.

With an ultra-thin profile coming in at just 2" when used with the remote driver option, the recessed Vellum is ideal for shallow plenum applications.

Soft, Uniform Illumination

The Vellum recessed creates a beautiful skylight appearance when illuminated.



Specs at a Glance

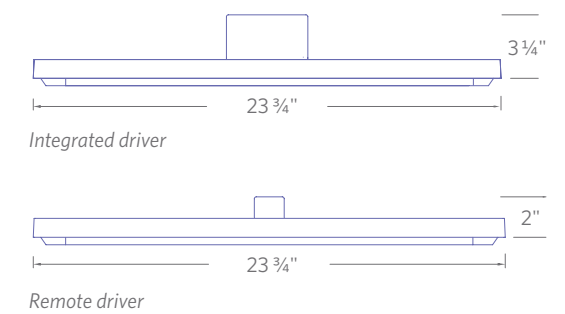
- Up to 102 LM/W
- Choice of 80 or 90+ CRI
- Seamless die-cast trims with rounded or squared details
- nLight® enabled
- Emergency battery option

Applications

Ideal for a wide variety of spaces including office, schools, hospitality and healthcare environments.

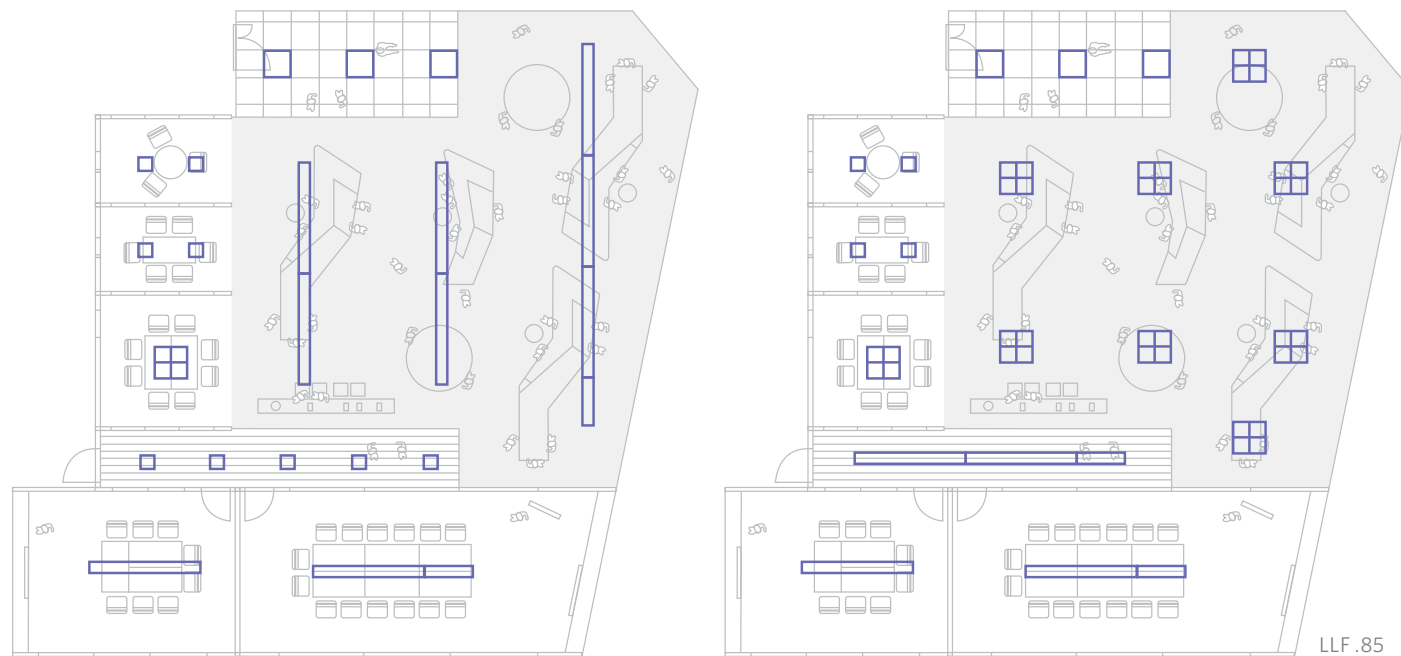
Fits in Tight Spaces

Choice of integrated or remote driver to meet shallow plenum requirements.



Use fewer luminaires, meet industry standards, and save energy with Vellum.

	input watts (individual)	spacing (O.C)	ceiling height	suspension	average illuminance 2.5' work plane	ceiling uniformity (max:min)	power density (w/sf)
Vellum Linear Suspended (VMM9) Low Output 3500K 60 Up/40 Down	41	10'	10'	24"	44fc	1.9:1	0.72
Vellum Quad Pendant (VMMQP) High Output 3500K 60 Up/40 Down	63	10'x13'	10'	24"	36fc	4.8:1	0.59
				IESNA RP-1	30fc	<10:1	



Luminaire Legend



Quad Pendant (4) 1'x1' VMMQP



Recessed 2'x2' VMMR



Single Pendant 1'x1' VMMSP



Linear Suspended 8' VMM9



Linear Suspended 4' VMM9

Energy-Saving Comes Standard

- Delivers over 100 lumens per watt
- Utilizes less than 1 W/ft² in typical applications meeting ASHRAE open-office requirements and helping projects qualify for LEED points

OVER
100
LM/W

nLight® Boosts Efficiency Further

- Vellum features an optional nLight sensor embedded into the lens surface utilizing Peerless; new and proprietary SubtleView Integration™
- Integrated sensor option provides daylight dimming and/or occupancy detection control
- Embedded nLight module option provides for easy "plug-and-play" networking with nLight control systems
- The constant lumen management (N80) option makes it possible to deliver the right amount of light from day one - eliminating the need to over light a space



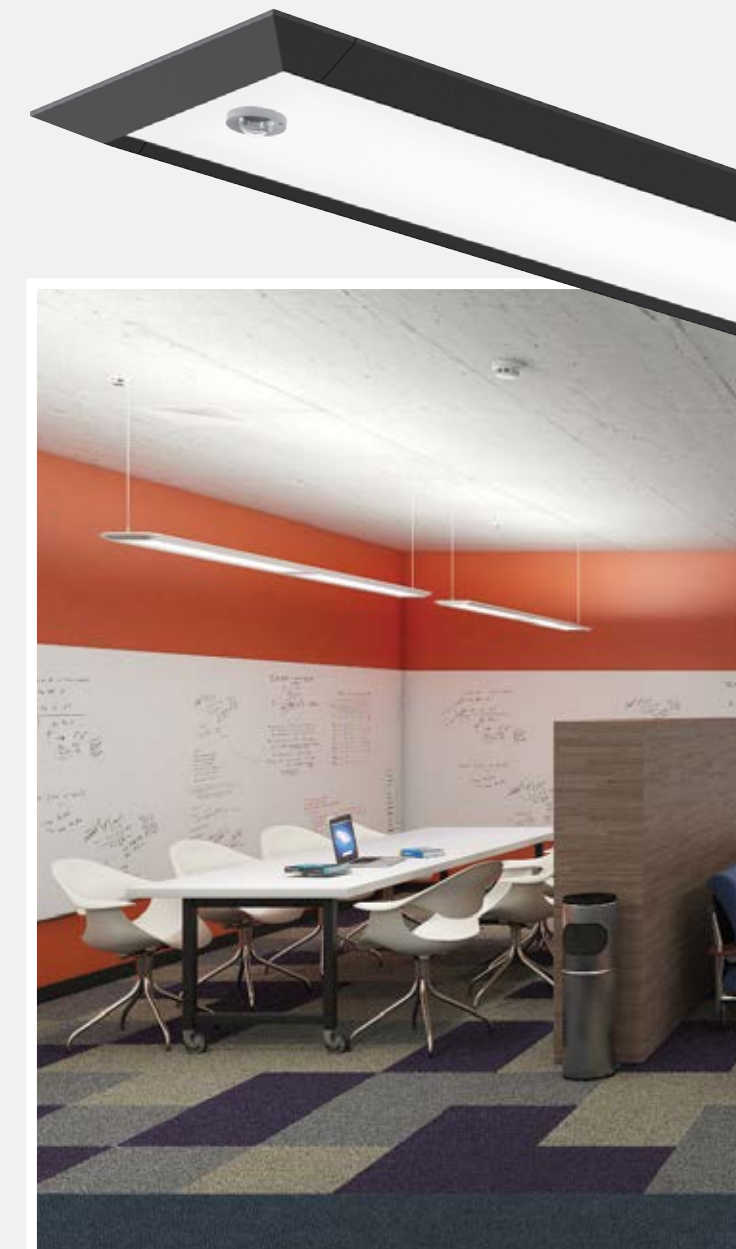
Flicker-Free, Natural Dimming with eldoLED®

- Experience architectural dimming the way it is supposed to be with eldoLED driver technology
- Vellum comes standard with deep dimming down to 0.1%. This best in class solution offers smooth, flicker-free performance



Save more Energy with SubtleView Integration™

For daylight dimming and/or occupancy detection, choose an optional nLight sensor embedded in the lens surface with proprietary SubtleView Integration™.



Linear Suspended

Luminaire	Light Output	Distribution	Luminaire Row Length	Maximum Section Length	Voltage	# of Emergency Modules	Emergency Type		
VMM9	LO 4400 nominal delivered lumens	(Blank) Std. 60% up; 40% down	_FT	R4 4' section(s)	120	(Blank) None	(Blank) None		
	HI 5400 nominal delivered lumens	20/80 20% up; 80% down 0/100 0% up; 100% down	Indicate Luminaire Row Length in 4" increments. Ex: 12FT	R8 8' section(s)	277 347	1SE 1 section 2SE 2 sections _SE ___ sections	EC Emergency circuit EL¹ Emergency battery pack (1100 lumens)		
		Nominal distribution. Refer to photometric tests for exact distribution.				Emergency type is installed in last 4" of luminaire sections. Separate feed required. ¹ Not available for CSA and F2 options.			
Switching		Remote Dimming Driver with Integrated System Networking		Integrated Sensor		Integrated Lumen Management			
SCT Single circuit	ENNB eldoLED with integrated nLight controller ENNB Linear dimming curve		(Blank) No sensor _DSCNL Daylight only _MSD7NL DSCNL Daylight/occupancy		(Blank) None LMES20* 80% lumen management <i>*Available with EZBN and ENNB only.</i>		LED Color Temperature LP830 3000K 80+ CRI 17-20+ R9 LP835 3500K 80+ CRI 17-20+ R9 LP840 4000K 90+ CRI 17-20+ R9 LP930* 3000K 90+ CRI 50 R9 LP935* 3500K 90+ CRI 50 R9 LP940* 4000K 90+ CRI 50 R9 <i>* Longer lead times - consult factory.</i>		
	Remote Dimming Driver EZB eldoLED 0-10V EZBN Linear dimming curve EDAB eldoLED DALI <i>Driver must be paired with sensor option from the same row. Ex: ENNB 2DSCNL</i>		(Blank) No sensor _DSCNL Daylight only _MSD7N DSCN Daylight/occupancy <i>Indicate number of zones per row. Ex: 3DSCN</i>		Non-Integrated Lumen Management (Blank) None XLMES20* 80% lumen management <i>*EZBN must be selected if planning to install a separate, non-integrated nLight networking system with lumen management.</i>				
LED Color Temperature		Mounting Type /		Overall Suspension		Color		Options	
LP830 3000K 80+ CRI 17-20+ R9 LP835 3500K 80+ CRI 17-20+ R9 LP840 4000K 90+ CRI 17-20+ R9 LP930* 3000K 90+ CRI 50 R9 LP935* 3500K 90+ CRI 50 R9 LP940* 4000K 90+ CRI 50 R9 <i>*Longer lead times - consult factory.</i>		F1/ T-bar ceiling (universal mounting bracket) F2/* Hard ceiling (horizontal J-box) <i>*Refer to page 3 for details</i>		12 12" 18 18" 24 24" 36 36" 48 48" XX XX" <i>Measured from ceiling to bottom of luminaire. Adjustable cable grippers come standard.</i>		C041 White white (low gloss) C110 Painted aluminum (fine textured) C201 Black (low gloss) C099 Custom color		CSA Meets Canadian standards. (Must select with Canadian orders) DL Damp location label DU Dust cover GLR Fusing (fast blow) GMF Fusing (slow blow) RDEP Rounded end cap	

Quad Pendant

Luminaire	Light Output	Distribution	Voltage	Switching	
VMMQP	HI 6900 nominal delivered lumens* <i>*For higher lumen packages, consult factory.</i>	(Blank) Std. 60% up; 40% down 20/80 20% up; 80% down 0/100 0% up; 100% down <i>Nominal distribution. Refer to photometric tests for exact distribution.</i>	120 277 347 <i>Not available with LMES20.</i>	SCT Single circuit	
Remote Dimming Driver with Integrated System Networking		Integrated Sensor		Integrated Lumen Management	
ENNB eldoLED with integrated nLight controller ENNB Linear dimming curve		(Blank) No sensor _DSCNL Daylight only _MSD7NL DSCNL Daylight/occupancy		(Blank) None LMES20* 80% lumen management <i>*Available with EZBN and ENNB only.</i>	
Remote Dimming Driver		Non-Integrated Lumen Management		LED Color Temperature	
EZB eldoLED 0-10V EZBN Linear dimming curve		(Blank) No sensor _DSCNL Daylight only _MSD7N DSCN Daylight/occupancy <i>*EZBN must be selected if planning to install a separate, non-integrated nLight networking system with lumen management.</i>		LP830 3000K 80+ CRI 17-20+ R9 LP835 3500K 80+ CRI 17-20+ R9 LP840 4000K 90+ CRI 17-20+ R9 LP930* 3000K 90+ CRI 50 R9 LP935* 3500K 90+ CRI 50 R9 LP940* 4000K 90+ CRI 50 R9 <i>* Longer lead times - consult factory.</i>	
EDAB eldoLED DALI <i>Driver must be paired with sensor option from the same row. Ex: ENNB 2DSCNL</i>		(Blank) No sensor <i>Indicate number of zones per row. Ex: 3DSCN</i>			
Mounting Type /		Overall Suspension		Color	
F1C/ T-bar ceiling/hard ceiling		12 12" 18 18" 24 24" 36 36" 48 48" XX XX" <i>Measured from ceiling to bottom of luminaire.</i>		C041 White white (low gloss) C110 Painted aluminum (fine textured) C201 Black (low gloss) C099 Custom color	
Options		Options		Options	
CSA Meets Canadian standards. (Must select with Canadian orders) DL Damp location label DU Dust cover GLR Fusing (fast blow) GMF Fusing (slow blow) RDEP Rounded corners		CSA Meets Canadian standards. (Must select with Canadian orders) DL Damp location label DU Dust cover GLR Fusing (fast blow) GMF Fusing (slow blow) RDEP Rounded corners		CP Chicago plenum CSA Meets Canadian standards. (Must select with Canadian orders) DL Damp location label FLNGW* Dry wall grid adapter GLR Fusing (fast blow) GMF Fusing (slow blow) RDEP Rounded corners <i>*For use on hard surface ceilings.</i>	

Single Pendant

Luminaire	Light Output	Distribution	Voltage	Switching	
VMMSP	HI 2000 nominal delivered lumens	(Blank) Std. 60% up; 40% down 20/80 20% up; 80% down 0/100 0% up; 100% down <i>Nominal distribution. Refer to photometric tests for exact distribution.</i>	120 277 347* <i>*Not available with LMES20.</i>	SCT Single circuit	
Remote Dimming Driver with Integrated System Networking		Integrated Lumen Management		LED Color Temperature	
ENNB eldoLED with integrated nLight controller		(Blank) None LMES20* 80% lumen management <i>*Available with EZB and ENNB only.</i>		LP830 3000K 80+ CRI 17-20+ R9 LP835 3500K 80+ CRI 17-20+ R9 LP840 4000K 90+ CRI 17-20+ R9 LP930* 3000K 90+ CRI 50 R9 LP935* 3500K 90+ CRI 50 R9 LP940* 4000K 90+ CRI 50 R9 <i>* Longer lead times - consult factory.</i>	
Remote Dimming Driver		Non-Integrated Lumen Management			
EZB eldoLED 0-10V EDAB eldoLED DALI		(Blank) None XLMES20* 80% lumen management <i>*Must be selected if planning to install a separate, non-integrated nLight networking system with lumen management.</i>			
Mounting Type /		Overall Suspension		Color	
F3D/ T-bar ceiling/hard ceiling		12 12" 18 18" 24 24" 36 36" 48 48" XX XX" <i>Measured from ceiling to bottom of luminaire. Consult factory for custom lengths.</i>		C041 White white (low gloss) C110 Painted aluminum (fine textured) C201 Black (low gloss) C099 Custom color	
Options		Options		Options	
CSA Meets Canadian standards. (Must select with Canadian orders) DL Damp location label DU Dust cover GLR Fusing (fast blow) GMF Fusing (slow blow) RDEP Rounded end cap		CSA Meets Canadian standards. (Must select with Canadian orders) DL Damp location label DU Dust cover GLR Fusing (fast blow) GMF Fusing (slow blow) RDEP Rounded end cap		CSA Meets Canadian standards. (Must select with Canadian orders) DL Damp location label DU Dust cover GLR Fusing (fast blow) GMF Fusing (slow blow) RDEP Rounded corners	

Recessed

Luminaire	Light Output	Voltage	Emergency Type	Switching	
VMMRA¹ VMMRB²	HI 5000 nominal delivered lumens	120 277 347* <i>*Not available with VMMRA option.</i>	(Blank) None EC Emergency circuit EL* Emergency battery pack (1300 lumens) <i>*Not available with VMMRB, 347V and CSA options.</i>	SCT Single circuit	
Dimming Driver with Integrated System Networking		Integrated Sensor		Integrated Lumen Management	
ENNB eldoLED with integrated nLight controller ENNB Linear dimming curve		(Blank) No sensor _DSCNL Daylight only _MSD7NL DSCNL Daylight/occupancy		(Blank) None LMES20* 80% lumen management <i>*Available with EZB and ENNB only.</i>	
Dimming Driver		Non-Integrated Lumen Management			
EZB eldoLED 0-10V EZBN Linear dimming curve		(Blank) No sensor _DSCNL Daylight only _MSD7N DSCN Daylight/occupancy		(Blank) None XLMES20* 80% lumen management <i>*Must be selected if planning to install a separate, non-integrated nLight networking system with lumen management.</i>	
EDAB eldoLED DALI <i>Driver must be paired with sensor option from the same row. Ex: ENNB 2DSCNL</i>		(Blank) No sensor <i>Indicate number of zones per row. Ex: 3DSCN</i>			
LED Color Temperature		Color		Options	
LP830 3000K 80+ CRI 17-20+ R9 LP835 3500K 80+ CRI 17-20+ R9 LP840 4000K 90+ CRI 17-20+ R9 LP930* 3000K 90+ CRI 50 R9 LP935* 3500K 90+ CRI 50 R9 LP940* 4000K 90+ CRI 50 R9 <i>*Longer lead times - consult factory.</i>		C041 White white (low gloss) C110 Painted aluminum (fine textured) C201 Black (low gloss) C099 Custom color		CP Chicago plenum CSA Meets Canadian standards. (Must select with Canadian orders) DL Damp location label FLNGW* Dry wall grid adapter GLR Fusing (fast blow) GMF Fusing (slow blow) RDEP Rounded corners <i>*For use on hard surface ceilings.</i>	



Peerless®
Lighting for People®

Quality You Can Count On...

- Vellum is a 360° solution that integrates lighting, controls, sensors, optics, LED boards and drivers all manufactured by Acuity Brands
- Single-source, 5-year limited warranty covers all components and construction
- Lighting Facts partner and DesignLights Consortium® qualified product; IES LM-79 tested; CSU/CSA listed

5
YEAR
warranty

LED
lighting
facts
LED Product Partner

DLC
LISTED