



Consistent with LEED® goals & Green Globes™ criteria for light pollution reduction



Autobahn Series ATBM Roadway

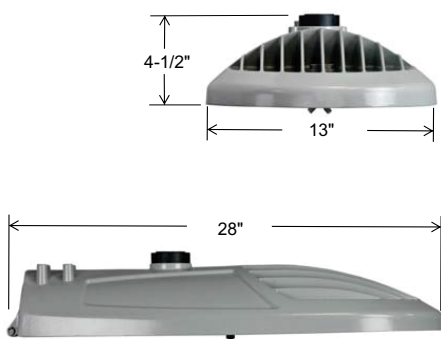
PRODUCT OVERVIEW



Applications:

- Residential streets
- Parking lots
- High speed roadways

DIMENSIONS



Effective Projected Area (EPA)
The EPA for the ATBM is 0.3 sq. ft.,
Approx. Wt. = 21 lbs. (9.5 kg)

STANDARDS

DesignLights Consortium® (DLC) Premium qualified product. Not all versions of this product may be DLC Premium qualified. Please check the DLC Qualified Products List at www.designlights.org/QPL to confirm which versions are qualified.

Color temperatures of $\leq 3000\text{K}$ must be specified for International Dark-Sky Association certification.

Rated for -40°C to 40°C ambient
CSA Certified to U.S. and Canadian standards
Complies with ANSI: C136.2, C136.10, C136.14, C136.31, C136.15, C136.37

GOVERNMENT PROCUREMENT — BAA – Buy America(n) Act: Product with the BAA option qualifies as a domestic end product under the Buy American Act as implemented in the FAR and DFARS. Product with the BAA option also qualifies as manufactured in the United States under DOT Buy America regulations.

BABA – Build America Buy America: Product with the BAA option also qualifies as produced in the United States under the definitions of the Build America, Buy America Act.

Please refer to www.acuitybrands.com/buy-american for additional information.

Features:

OPTICAL

Same Light: Performance is comparable to 150W – 250W HPS

White Light: Correlated color temperature - 4000K, 70 CRI minimum, 3000K, 70 CRI minimum or optional 5000K, 70 CRI minimum.

IP66 rated borosilicate glass optics ensure longevity and minimize dirt depreciation. Unique IP66 rated LED light engines provide 0% uplight and restrict backlight to within sidewalk depth, providing optimal application coverage and optimal pole spacing.

Available distributions are Type II, III, IV, & V roadway distributions.

DualOptix™ visual comfort option is also available for all distributions.

ELECTRICAL

Expected Life: LED light engines are rated $>100,000$ hours at 25°C , L70.

Electronic driver has an expected life of 100,000 hours at a 25°C ambient.

Lower Energy: Saves an expected 40-60% over comparable HID luminaires.

Robust Surge Protection: Standard surge protection is 20kV/10kA “Extreme Level” per ANSI C136.2. An optional MOV pack provides 10kV/5kA “Enhanced Level.”

Luminaire ships with a 0-10v dimmable driver. Luminaire is continuous and step dimming capable via AO option or controls installed on P7 photocontrol receptacle option.

MECHANICAL

Includes standard AEL lineman-friendly features such as tool-less entry, 3 station terminal block and quick disconnects. Bubble level located inside the electrical compartment for easy leveling at installation.

Rugged die-cast aluminum housing and door are polyester powder-coated for durability and corrosion resistance. Rigorous five-stage pre-treating and painting process yields a finish that achieves a scribe creepage rating of 8 (per ASTM D1654) after over 5000 hours exposure to salt fog chamber (operated per ASTM B117).

Mast arm mount is adjustable for arms from 1-1/4” to 2” (1-5/8” to 2-3/8” O.D.) diameter. The 2 – bolt and optional 4 bolt clamping mechanism provide 3G vibration rating per ANSI C136.31.

The Wildlife shield is cast into the housing (not a separate piece).

CONTROLS

NEMA 3 pin photocontrol receptacle is standard, with the Acuity designed ANSI standard 7 pin receptacle optionally available.

Premium solid state locking-style photocontrol – PCSS (10 year rated life) Extreme long life solid state locking-style photocontrol – PCL1 (20 year rated life).

Extreme long life solid state locking-style photocontrol with on demand remote on/off control - PCCC (15 year rated life).

Optional onboard Adjustable Output module allows the light output and input wattage to be modified to meet site specific requirements, and also can allow a single fixture to be flexibly applied in many different applications.

Autobahn Series ATBM

Roadway

ORDERING INFORMATION

Series	Lumen Package	Voltage	Optics	Mounting
ATBM Autobahn LED Roadway	P05 9,700 Lumens P10 11,000 Lumens P20 12,800 Lumens P30 15,500 Lumens P40 17,400 Lumens P50 18,700 Lumens P60 20,000 Lumens P70 21,500 Lumens	MVOLT Multi-volt, 120-277V 347 347V 480 480V	R2 Roadway Type II R3 Roadway Type III R4 Roadway Type IV R5 Roadway Type V	(Blank) 2 Bolt Mounting 4B 4 Bolt Mounting

Options

Color Temperature (CCT)

(Blank)	4000K CCT, 70 CRI Min.
27K²	2700K CCT, 70 CRI Min.
3K	3000K CCT, 70 CRI Min.
5K	5000K CCT, 70 CRI Min.

Paint

(Blank)	Gray
BK	Black
BZ	Bronze
DDB	Dark Bronze
GI	Graphite
WH	White

Surge Protector

(Blank)	Standard 20kV/10kA SPD
MP	MOV Pack

Miscellaneous Options

HSS	House Side Shield
NL	NEMA Label Indicating Wattage
XL	Not CSA Certified – No Terminal Block Cover
VR²	Dual Optix visual comfort
BAA	Buy America(n) Act and/or Build America Buy America Qualified

Controls Options

(Blank)	3 Pin NEMA Photocontrol Receptacle
P7	7 Pin Photocontrol Receptacle (dimnable driver included) ¹
NR	No Photocontrol Receptacle
AO	Field Adjustable Output
PCSS	Solid-State Lighting Photocontrol ³
PCLL	Solid-State Long Life Photocontrol
PCCC	Solid-State Long Life Photocontrol with remote control on/off ³
SH	Shorting Cap

Packages

(Blank)	Standard Pack
JP	Job Pack (36/pallet)

Accessories

ATBMHSS	House Side Shield
ATBMLTS	Light Trespass Shield
RKATBMMVOLTSPD	ATBM Acuity SPD, MVOLT
RKATBMHVSPD	ATBM Acuity SPD, 347/480V
RKATBMMVOLTMP	ATBM MOV Pack, MVOLT
RKATBMHVMP	ATBM MOV Pack, 347/480V

Universal Arms (steel)

UMR-XX	8" Horizontal Arm for Square Pole, Painted to match Fixture
UMS-XX	8" Horizontal Arm for Round Pole, Galvanized
UMR-GALV	8" Horizontal Arm for Round Pole, Galvanized
UMS-GALV	8" Horizontal Arm for Square Pole, Galvanized

Notes:

- 1 Dimmable drive included.
- 2 This option requires RFD
- 3 MVOLT only



AEL Headquarters, One Lithonia Way, Conyers Georgia 30012
 www.americanelectriclighting.com Phone: 1-866-HOLOPHANE
 Email: TechSupport-Lighting@AcuityBrands.com

© 2014-2024 Acuity Brands Lighting, Inc. All Rights Reserved. 08/09/24

Warranty Five-year limited warranty. This is the only warranty provided and no other statements in this specification sheet create any warranty of any kind. All other express and implied warranties are disclaimed. Complete warranty terms located at: www.acuitybrands.com/support/warranty/terms-and-conditions

Note: Actual performance may differ as a result of end-user environment and application. All values are design or typical values, measured under laboratory conditions at 25 °C. Specifications subject to change without notice.

Please contact your sales representative for the latest product information.

ATBM

Autobahn Series ATBM

Roadway

PERFORMANCE PACKAGE

Performance Package	Distribution	Input Watts	3K (3000K CCT, 70 CRI)					4K/5K (4000K/5000K CCT, 70 CRI)					LLD @ 25°C		
			Lumens	LPW	B	U	G	Lumens	LPW	B	U	G	25k Hours	75k Hours	100k Hours
P05	R2	68	9,396	138	1	0	2	9,718	143	1	0	2	0.93	0.86	0.83
	R3		9,366	138	1	0	3	9,688	142	1	0	3			
	R4		9,030	133	1	0	3	9,340	137	1	0	3			
	R5		10,334	152	3	0	2	10,689	157	3	0	2			
P10	R2	81	10,635	131	2	0	3	11,299	139	2	0	3	0.93	0.86	0.83
	R3		10,675	132	2	0	3	11,302	140	2	0	3			
	R4		10,391	128	2	0	4	10,994	136	2	0	4			
	R5		11,504	142	3	0	2	12,086	149	3	0	2			
P20	R2	94	12,073	128	2	0	3	12,874	137	2	0	3	0.93	0.86	0.83
	R3		12,065	128	2	0	3	12,818	136	2	0	3			
	R4		11,946	127	2	0	4	12,525	133	2	0	4			
	R5		13,085	139	4	0	2	13,776	147	4	0	2			
P30	R2	118	14,637	124	2	0	3	15,514	131	2	0	3	0.93	0.86	0.83
	R3		14,631	124	2	0	3	15,452	131	2	0	3			
	R4		14,317	121	2	0	4	15,151	128	2	0	5			
	R5		15,775	134	4	0	2	16,685	141	4	0	2			
P40	R2	135	16,233	120	2	0	3	17,493	130	2	0	3	0.93	0.86	0.83
	R3		16,402	121	2	0	3	17,367	129	2	0	3			
	R4		15,911	118	2	0	5	17,008	126	2	0	5			
	R5		17,507	130	4	0	2	18,595	138	4	0	2			
P50	R2	152	17,541	115	2	0	3	18,748	123	2	0	3	0.93	0.86	0.83
	R3		17,677	116	2	0	4	18,712	123	2	0	4			
	R4		17,154	113	2	0	5	18,246	120	2	0	5			
	R5		19,008	125	4	0	2	20,088	132	4	0	2			
P60	R2	168	18,770	112	2	0	3	20,095	120	3	0	3	0.93	0.86	0.83
	R3		18,830	112	2	0	4	20,094	120	3	0	4			
	R4		18,369	109	2	0	5	19,648	117	2	0	5			
	R5		20,350	121	4	0	2	21,505	128	4	0	2			
P70	R2	190	20,190	106	3	0	3	21,565	114	3	0	3	0.93	0.86	0.83
	R3		20,142	106	3	0	4	21,504	113	3	0	4			
	R4		19,660	103	2	0	5	21,024	111	3	0	5			
	R5		21,988	116	4	0	2	23,076	121	4	0	2			

Note: Individual fixture performance may vary. Specifications subject to change without notice.



AEL Headquarters, One Lithonia Way, Conyers Georgia 30012
 www.americanelectriclighting.com Phone: 1-866-HOLOPHANE
 Email: TechSupport-Lighting@AcuityBrands.com
 © 2014-2024 Acuity Brands Lighting, Inc. All Rights Reserved. 08/09/24

Warranty Five-year limited warranty. This is the only warranty provided and no other statements in this specification sheet create any warranty of any kind. All other express and implied warranties are disclaimed. Complete warranty terms located at:
www.acuitybrands.com/support/warranty/terms-and-conditions

Note: Actual performance may differ as a result of end-user environment and application. All values are design or typical values, measured under laboratory conditions at 25 °C. Specifications subject to change without notice.

Please contact your sales representative for the latest product information.

ATBM

Autobahn Series ATBM

Roadway

PERFORMANCE PACKAGE

ATBM with DualOptix	Distribution	Input Watts	3000K					4000K/5000K					LDD @ 25°C		
			Lumens	LPW	B	U	G	Lumens	LPW	B	U	G	50k Hours	75k Hours	100k Hours
P05	R2 with VR	68	8,323	122	2	3	3	8,609	127	2	3	3	0.93	0.86	0.83
	R3 with VR		8,296	122	2	3	3	8,581	126	2	3	3			
	R4 with VR		7,998	118	2	3	4	8,273	122	2	3	4			
	R5 with VR		9,154	135	3	3	3	9,468	139	3	3	3			
P10	R2 with VR	81	9,421	116	2	3	3	10,009	124	2	3	3	0.93	0.86	0.83
	R3 with VR		9,456	117	2	3	4	10,012	124	2	3	4			
	R4 with VR		9,204	114	2	3	4	9,738	120	2	3	4			
	R5 with VR		10,191	126	3	3	3	10,706	132	3	3	3			
P20	R2 with VR	94	10,694	114	2	3	4	11,404	121	2	3	4	0.93	0.86	0.83
	R3 with VR		10,687	114	2	3	4	11,354	121	2	3	4			
	R4 with VR		10,581	113	2	3	5	11,094	118	2	3	5			
	R5 with VR		11,591	123	3	3	3	12,203	130	3	3	3			
P30	R2 with VR	118	12,966	110	2	3	4	13,742	116	2	3	4	0.93	0.86	0.83
	R3 with VR		12,960	110	2	3	4	13,687	116	2	3	5			
	R4 with VR		12,681	107	2	3	5	13,420	114	2	3	5			
	R5 with VR		13,974	118	3	3	3	14,780	125	3	3	3			
P40	R2 with VR	135	14,379	107	2	3	4	15,495	115	3	3	5	0.93	0.86	0.83
	R3 with VR		14,529	108	2	3	5	15,384	114	3	3	5			
	R4 with VR		14,093	104	2	3	5	15,066	112	3	3	5			
	R5 with VR		15,508	115	3	3	3	16,471	122	4	3	3			
P50	R2 with VR	152	15,538	102	3	3	5	16,607	109	3	3	5	0.93	0.86	0.83
	R3 with VR		15,658	103	3	3	5	16,575	109	3	3	5			
	R4 with VR		15,195	100	3	3	5	16,162	106	3	3	5			
	R5 with VR		16,837	111	4	3	3	17,794	117	4	3	4			
P60	R2 with VR	168	16,626	99	3	3	5	17,800	106	3	3	5	0.93	0.86	0.83
	R3 with VR		16,679	99	3	3	5	17,799	106	3	3	5			
	R4 with VR		16,271	97	3	3	5	17,404	104	3	3	5			
	R5 with VR		18,026	107	4	3	4	19,049	113	4	3	4			
P70	R2 with VR	190	17,884	94	3	3	5	19,102	101	3	3	5	0.93	0.86	0.83
	R3 with VR		17,842	94	3	3	5	19,048	100	3	3	5			
	R4 with VR		17,415	92	3	3	5	18,623	98	3	3	5			
	R5 with VR		19,477	103	4	3	4	20,440	108	4	3	4			



AEL Headquarters, One Lithonia Way, Conyers Georgia 30012
 www.americanelectriclighting.com Phone: 1-866-HOLOPHANE
 Email: TechSupport-Lighting@AcuityBrands.com
 © 2014-2024 Acuity Brands Lighting, Inc. All Rights Reserved. 08/09/24

Warranty Five-year limited warranty. This is the only warranty provided and no other statements in this specification sheet create any warranty of any kind. All other express and implied warranties are disclaimed. Complete warranty terms located at: www.acuitybrands.com/support/warranty/terms-and-conditions

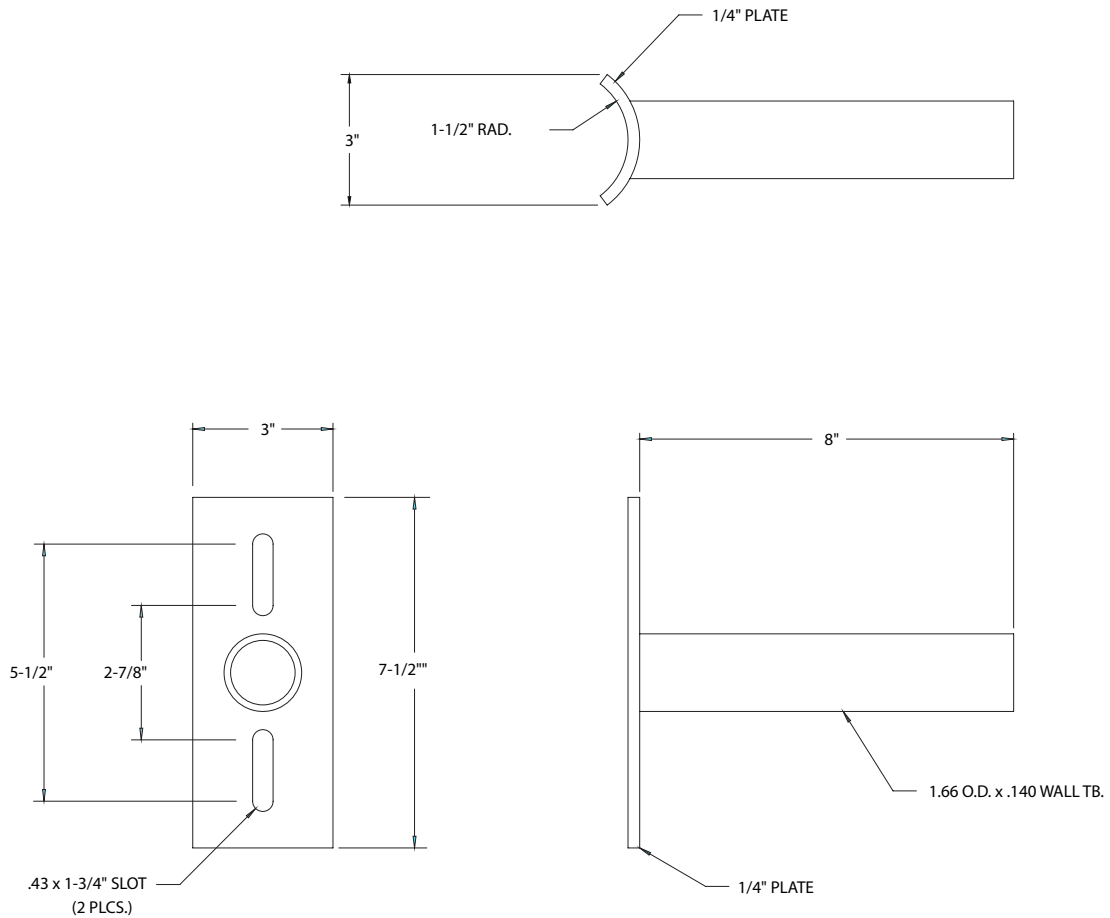
Note: Actual performance may differ as a result of end-user environment and application. All values are design or typical values, measured under laboratory conditions at 25 °C. Specifications subject to change without notice.

Please contact your sales representative for the latest product information.

ATBM

UMR POLE ADAPTOR

RECOMMENDED FOR USE WITH POLES OF 4" DIAMETER OR SMALLER



UMS POLE ADAPTOR

