

SLOT 6

PERIMETER
TUNABLE WHITE
DC2DC ARCHITECTURE

HIGHLIGHTS

- Compact profile
- Uniform illumination along wall surface
- Extruded aluminum and sheet metal construction
- Regressed snap-in acrylic lens
- Field adjustable telescopic end, up to 12 inches
- Driver options for Dim to Dark
- White, black or silver paint with satin finish
- UGR data available on page 4.



FIXTURE PERFORMANCE

Nominal Lumens/Foot	Direct											
	300LMF			400LMF			600LMF			800LMF		
CCT	27K	46K	65K	27K	46K	65K	27K	46K	65K	27K	46K	65K
Delivered Lumens/Foot	259	234	272	367	327	367	555	512	555	744	698	744
DC Input Watts/Foot**	2.34	2.33	2.33	3.27	3.05	3.05	5.12	4.50	4.50	6.98	5.96	5.96
Lumens/Watt	111	101	117	112	107	120	108	114	123	107	117	125

Nominal Lumens/Foot	Direct		
	1000LMF		
CCT	27K	46K	65K
Delivered Lumens/Foot	931	884	933
DC Input Watts/Foot**	8.45	7.27	8.22
Lumens/Watt	110	122	113

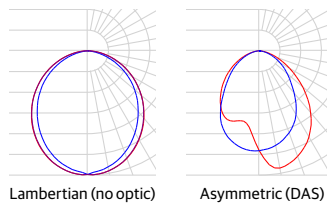
*Based on a 4FT 90CRI TUWH RHYR (27K-65K) fixture with 6" depth lens regress (6D), standard lambertian distribution, and flush lens (FLL)

**Standard photometry based on AC wattage, DC wattage = AC wattage * .93.

Note: See page 6 for Device Addresses and Feed details.

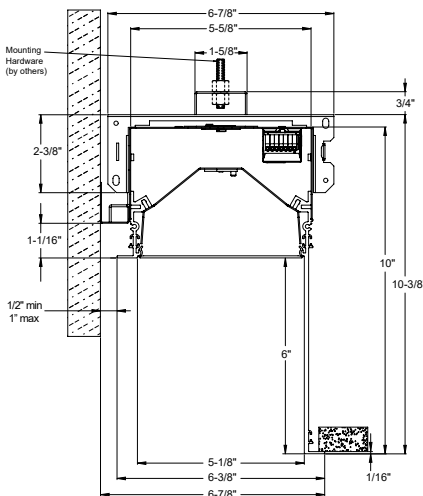


DIRECT DISTRIBUTION

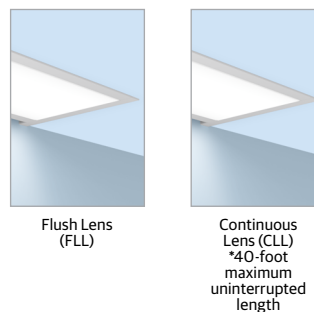


DIMENSIONS

FL Trim with 6D Lens Regress



DIFFUSERS/SHIELDING

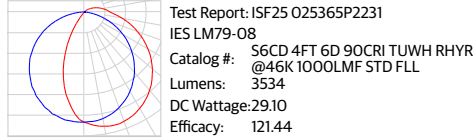
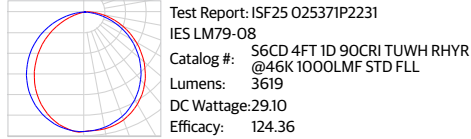
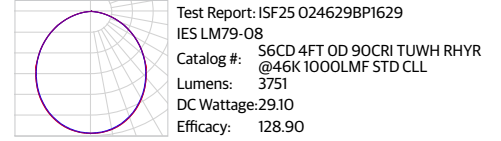
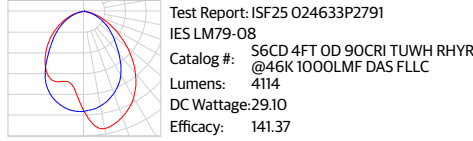
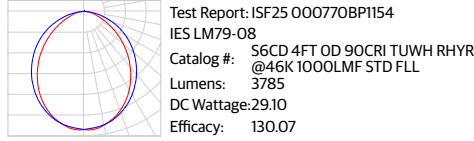


ORDERING

Example: S6CD LOP 8FT OD TG 90CRI TUWH RHYR 600LMF DAS SCT DARK FLL 57VDC SLVT DALI8 N2N

Series S6CD Slot 6 Perimeter Direct		Linear Plan LOP Optimized Length		Total Run Length .FT_ Specify continuous linear feet to nearest 1/8" increments starting at 2FT (Example 24' - 6 1/8" = 24FT6.125) .FT' Specify continuous linear feet to whole foot increments starting at 2FT (Example: 24' = 24FT) Unit length may affect available options. For runs longer than 8FT: ALWAYS order the run by the TOTAL RUN LENGTH. Ordering the sections individually will not provide the correct joining hardware to allow run connections in the field. 1. Use whole foot increment when using ADJS or zoning options.		Lens Regress Depth OD 0" Depth 1D' 1" Depth 4D' 4" Depth 6D' 6" Depth 1. Not available with Direct Distribution options.		Mounting <blank> Fixed Length ADJS ² Field Adjustable (+0-12") Section at End of Run 1. Supplied as a 4, 6, 7, or 8-foot individual or section at end of run. Left end is field trimmed to length. 2. Not available with DAS or CP options in entire run.		Ceiling Type FL 5/8IN Flange (sheetrock) TG Grid Ceiling: 9/16" Flat Tee with Lay-In Tile, 9/16" Flat Tee with Tegular Tile, 9/16" Slot Tee with Tegular Tile, 15/16" Flat Tee with Lay-In Tile, & 15/16" Flat Tee with Tegular Tile	
Direct Light Source Color Rendering 90CRI 90CRI		Direct Dynamic Feature TUWH Tunable White		Direct Dynamic Range RHYR Rhythm Range (2700K-6500K)		Direct LED Light Output 300LMF 300 Lumens per Foot 400LMF 400 Lumens per Foot 600LMF 600 Lumens per Foot 800LMF 800 Lumens per Foot 1000LMF 1,000 Lumens per Foot _LMF Specify Lumens between 300LMF and 1000LMF in 50LMF increments		Direct Distribution¹ <blank> Lambertian DAS Direct asymmetric distribution 1. Direct Distribution options are only available with FLL Direct Shielding and OD Lens Regress Depth option.		Switching SCT Single Circuit	
Minimum Dimming Level DARK Constant Current, Dimming to 0.1%		Optional Shielding CLL ^{1,3} Continuous Flush Lens FLL ² Flush Lens 1. CLL is not available with DAS distribution. 2. When using distribution option, FLL will change to FLC to designate a co-extruded lens with white and clear material. 3. 40-foot maximum uninterrupted length.		Voltage 57VDC 57VDC, Class 2 Only		Finish WHIT White (Satin) AMF Antimicrobial White BLKT Black (Satin) SLVT Silver (Satin) RALTBD ¹ RAL Paint Finish 1. RALTBD is for pricing only. Replace with applicable RAL number & sheen when placing order		Emergency Battery Packs <blank> No Emergency Option _EC Total Number of Emergency Circuits		Control Input DALI8 eldoLED Driver TWD T8	
END Option W2W Wall to Wall (Both Ends Terminate at Wall) P2P Pocket to Pocket (Both Ends Terminate at Ceiling) N2N No Show Wall to No Show Wall (Both Ends Terminate at Wall) W2P Wall to Pocket (Start Terminates at Wall & End Terminates at Ceiling) P2W Pocket to Wall (Start Terminates at Ceiling & End Terminates at Wall) N2P No Show Wall to Pocket (Start Terminates at Wall & End Terminates at Ceiling) P2N Pocket to No Show Wall (Start Terminates at Ceiling & End Terminates at Wall) N2W No Show Wall to Wall (Both Ends Terminate at Wall) W2N Wall to No Show Wall (Both Ends Terminate at Wall)		Primary Zone¹ <blank> No Primary Zone NS_ Primary Zone (Specify zone length in feet.) 1. Available in whole foot run length.		Secondary Zone¹ <blank> No Secondary Zone SNS_ Secondary Zone (Specify zone length in feet.) 1. Available in whole foot run length.		Tertiary Zone Indicator¹ <blank> No Tertiary Zone TNS_ Tertiary Zone (Specify zone length in feet.) 1. Available in whole foot run length.		Options <blank> No Options CP ¹ Chicago Plenum 1. Not available in a run with ADJS option.			

PHOTOMETRICS



PROJECT LED LUMEN MAINTENANCE

Data references the extrapolated performance projections for the platforms noted in a 25°C ambient, based on 10,000 hours of LED testing (tested per IESNA LM-80-08 and projected per IESNA TM-21-11).

To calculate LLF, use the lumen maintenance factor that corresponds to the desired number of operating hours below. For other lumen maintenance values, contact factory.

Operating Hours	0	10,000	60,000	100,000
Lumen Maintenance Factor	1	0.98	0.84	0.75

REGRESS DEPTH SCALING CHART

LENS REGRESS DEPTH	MULTIPLIER
OD	1.00
1D	0.96
4D	0.95
6D	0.93

*Base fixture with Lambertian distribution, 0" depth lens regress (OD), and flush lens (FLL)

OPTICAL SCALING CHARTS

DISTRIBUTIONS	MULTIPLIER
LAMBERTIAN	1.00
DAS	0.97
SHIELDING	MULTIPLIER
CLL	0.99
FLL	1.00

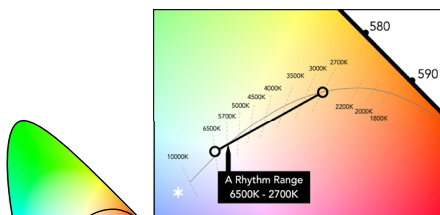
*Base fixture with Lambertian distribution and flush lens (FLL)

50LMF INCREMENT SCALING CHART

NOMINAL LMF	LUMEN MULTIPLIER	WATTAGE MULTIPLIER
300LMF	0.31	0.30
350LMF	0.36	0.35
400LMF	0.41	0.40
450LMF	0.46	0.45
500LMF	0.52	0.50
550LMF	0.57	0.54
600LMF	0.62	0.59
650LMF	0.67	0.64
700LMF	0.72	0.69
750LMF	0.76	0.75
800LMF	0.81	0.80
850LMF	0.86	0.85
900LMF	0.91	0.90
950LMF	0.96	0.95
1000LMF	1.00	1.00

*Base fixture with 0" depth lens regress (OD), standard lambertian distribution, flush lens (FLL), and 1000LMF

TUNABLE WHITE GAMUT AND RANGE



A Rhythm Range 6500K to 2700K

Tunable White GPHD

- **Gamut:** One dimensional Warm-Cool (WC)
- **Path:** Single-segment 6500K to 2700K (Rhythm Range)
- **Handle:** Two natural language handles: Intensity and CCT
- **Data:** nLight with nTune technology for both handles of control

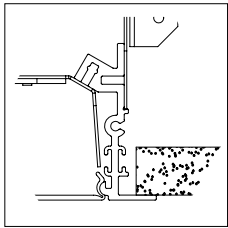
UGR CHART

Lumen Package	UGR (70% 50% 20% reflectance using a 4H x 8H room size)								
	Crosswise								
	OD FLL Lambertian	OD CLL Lambertian	OD DAS	1D FLL Lambertian	1D CLL Lambertian	4D FLL Lambertian	4D CLL Lambertian	6D FLL Lambertian	6D CLL Lambertian
300LMF	21.7	21.4	16.8	19.4	19.3	19.2	19.1	19	18.9
400LMF	22.6	22.4	17.8	20.4	20.3	20.2	20.1	20	19.9
600LMF	23.4	23.1	19.2	21.8	21.7	21.6	21.5	21.4	21.3
800LMF	24	23.7	20.2	22.7	22.7	22.5	22.5	22.3	22.3
1000LMF	24.5	24.2	20.9	23.4	23.4	23.2	23.2	23	23
Lumen Package	Endwise								
	OD FLL Lambertian	OD CLL Lambertian	OD DAS	1D FLL Lambertian	1D CLL Lambertian	4D FLL Lambertian	4D CLL Lambertian	6D FLL Lambertian	6D CLL Lambertian
	300LMF	19.1	21.4	18.5	21.2	21.1	22.9	22.85	24.6
400LMF	20	22.4	19.5	22.1	22.1	23.85	23.85	25.6	25.6
600LMF	20.8	23.1	20.9	23.6	23.5	25.3	25.25	27	27
800LMF	21.4	23.8	21.9	24.5	24.5	26.25	26.2	28	27.9
1000LMF	21.9	24.3	22.6	25.2	25.2	26.95	26.95	28.7	28.7

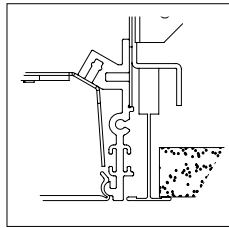
*UGR varies based on luminaire options and is affected by application dependent parameters. Numbers depicted here are considered "Luminaire-UGR" and/or "Point-UGR" values. To determine a more precise maximum UGR value ("Application-UGR"), a full lighting design layout should be completed with the selected luminaire configuration for each application.

**Click here for more information on: [UGR.FAQ](#)

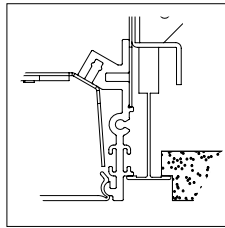
CEILING TRIMS



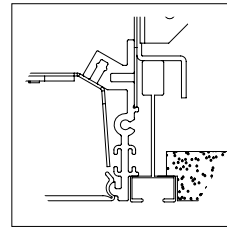
FL
5/8IN Flange (sheetrock)
Install Before Sheetrock



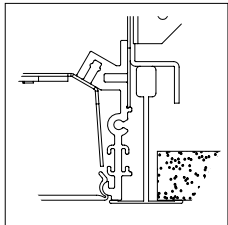
TG
9/16" Flat Tee w/ Lay-in Tile



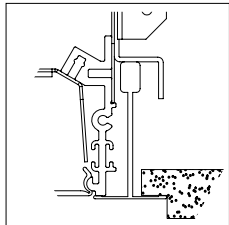
TG
9/16" Flat Tee w/ Tegular Tile



TG
9/16" Slot Tee w/ Tegular Tile



TG
15/16" Flat Tee w/ Lay-in Tile



TG
15/16" Flat Tee w/ Tegular Tile

LINEAR PLAN

Mark Lighting calculates a continuous run based on optimizing fixture section length and options selected.

LOP- Linear Optimized Length

This linear plan supplies the run length based on defined length combinations, resulting in an optimized solution with the fewest segments. LOP

8FT	4FT	3FT
-----	-----	-----

Total Run Length

This system is not modular. Runs longer than 8FT will be automatically configured with left, intermediate, and right sections based on nomenclature ordered. Always order the total run length required and not individual sections.

Example: This run to be ordered as one 32FT run.

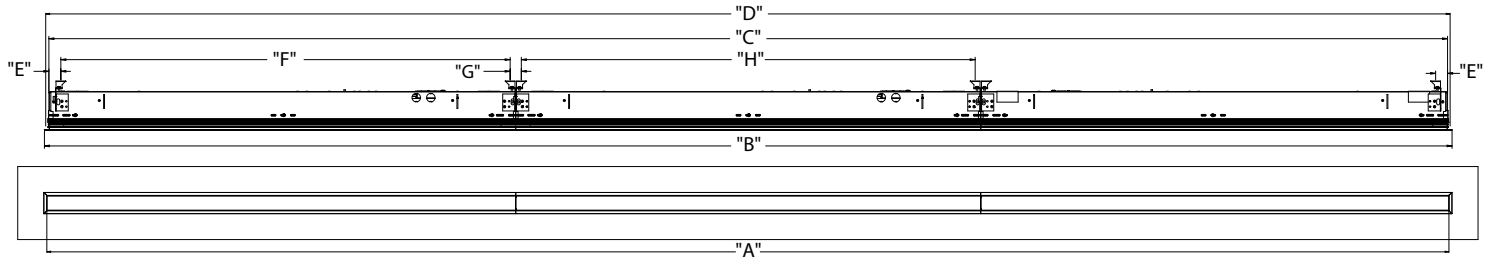
8FT	8FT	8FT	8FT
-----	-----	-----	-----

Example: This run to be ordered as four 8FT runs. Note: Individual fixtures sections cannot be joined together in the field.

8FT	8FT	8FT	8FT
-----	-----	-----	-----

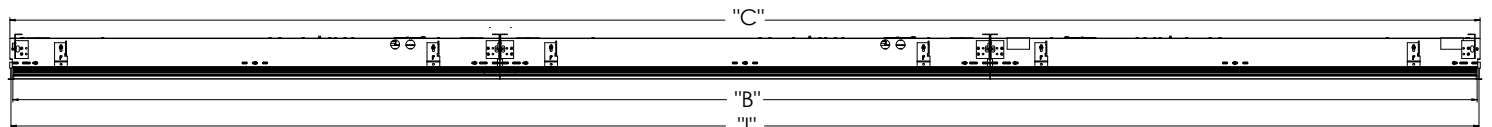
MOUNTING

FL Trim Run



FL Run Configurations							
"A" (Illuminated Lenth)	"B" (Trim Length)	"C" (Housing Lenth)	"D" (Cut Opening Lenth)	"E" (End Mounting Location)	"F" (End Fixture Middle Mounting Point)	"G" (Mounting Point to Mounting Point)	"H" (Mounting Point to Mounting Point Intermediate Fixtures)
Order Length	Order length + 3/16" (W2W, W2N, N2W, N2N) Order length + 11/8" (P2P) Order length + 5/8" (W2P, P2W, N2P, P2N)	Order Length + 3/8"	Order length + 13/16"	13/16"	Fixture length - 1 1/2"	1 1/16"	Fixture length - 1 1/16"

TG Trim Run



Grid Run Configurations			
"A" (Illuminated Lenth)	"B" (Trim Length)	"C" (Housing Lenth)	"I" (Grid Center to Center)
Order Length - 13/16"	Ordered Length - 5/8"	Order length - 1/32"	Order length + 13/16"

MOUNTING (continued)

Ceiling Cut Out Dimensions

		2-Foot	3-Foot	4-Foot	5-Foot	6-Foot	7-Foot	8-Foot
TG (BASED ON GRID CENTERLINE TO WALL SPACING)	GRID CL LENGTH(IN)	24	36	48	60	72	84	96
	GRID CL WIDTH(IN)	6.75-7.2	6.75-7.2	6.75-7.2	6.75-7.2	6.75-7.2	6.75-7.2	6.75-7.2
FL	LENGTH(IN) - W2W, W2N, N2W, N2N	24.18	36.18	48.18	60.18	72.18	84.18	96.18
	LENGTH(IN) - P2P	24.375	36.375	48.375	60.375	72.375	84.375	96.375
	LENGTH(IN) - W2P, P2W, N2P, P2N	24.25	36.25	48.25	60.25	72.25	84.25	96.25
	WIDTH(IN)	6.93-7.38	6.93-7.38	6.93-7.38	6.93-7.38	6.93-7.38	6.93-7.38	6.93-7.38

CEILING OPENING DIMENSIONS FOR INSTALLATION, +0.13"/-0.00"

FIXTURE DIMENSIONS AND WEIGHTS

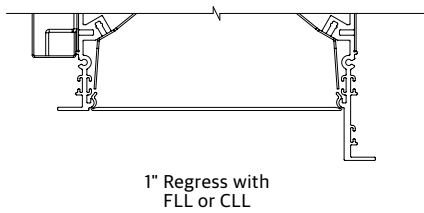
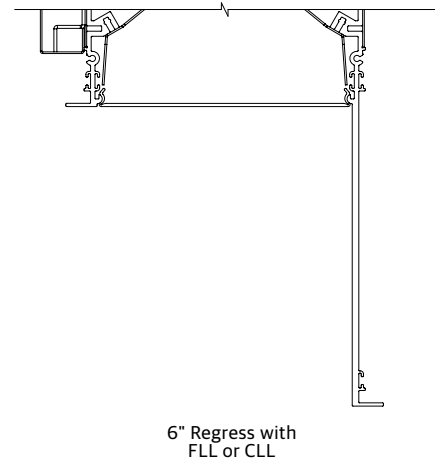
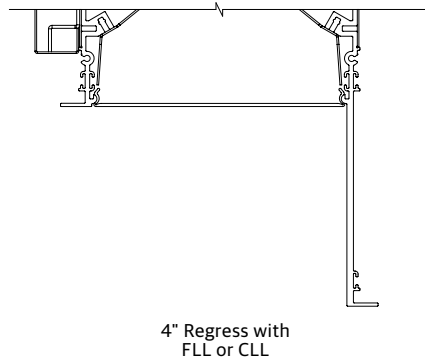
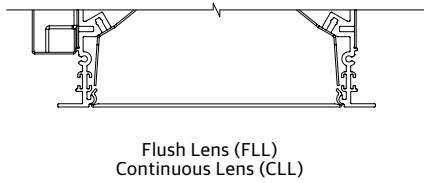
		2-Foot	3-Foot	4-Foot	5-Foot	6-Foot	7-Foot	8-Foot
Individual	GRID CL (IN)	24	36	48	60	72	84	96
	OVERALL LENGTH (IN)	23.375	35.375	47.375	59.375	71.375	83.375	95.375
	HOUSING LENGTH (IN)	23.969	35.969	47.969	59.969	71.969	83.969	95.969
	APERTURE (IN)	23.165	35.165	47.165	59.165	71.165	83.165	95.165
TG Left or Right	GRID CL (IN)	24	36	48	60	72	84	96
	PRODUCT LENGTH (IN)	23.688	35.688	47.688	59.688	71.688	83.688	95.688
	HOUSING LENGTH (IN)	23.969	35.969	47.969	59.969	71.969	83.969	95.969
	APERTURE (IN)	23.567	35.567	47.567	59.567	71.567	83.567	95.567
Intermediate	GRID CL (IN)	24	36	48	60	72	84	96
	PRODUCT LENGTH (IN)	24	36	48	60	72	84	96
	HOUSING LENGTH (IN)	23.969	35.969	47.969	59.969	71.969	83.969	95.969
	APERTURE (IN)	24	36	48	60	72	84	96

		2-Foot	3-Foot	4-Foot	5-Foot	6-Foot	7-Foot	8-Foot
Individual	APERTURE (IN)	24	36	48	60	72	84	96
	PRODUCT LENGTH (IN) - W2W, W2N, N2W, N2N	24.180	36.180	48.180	60.180	72.180	84.180	96.180
	PRODUCT LENGTH (IN) - P2P	25.125	37.125	49.125	61.125	73.125	85.125	97.125
	PRODUCT LENGTH (IN) - W2P, P2W, N2P, P2N	24.652	36.652	48.652	60.652	72.652	84.652	96.652
	HOUSING LENGTH (IN)	24.375	36.375	48.375	60.375	72.375	84.375	96.375
FL Left	APERTURE (IN)	24	36	48	60	72	84	96
	PRODUCT LENGTH (IN) - W2x, N2x	24.090	36.090	48.090	60.090	72.090	84.090	96.090
	PRODUCT LENGTH (IN) - P2x	24.562	36.562	48.562	60.562	72.562	84.562	96.562
	HOUSING LENGTH (IN)	24.188	36.188	48.188	60.188	72.188	84.188	96.188
Right	APERTURE (IN)	24	36	48	60	72	84	96
	PRODUCT LENGTH (IN) - x2W, x2N	24.090	36.090	48.090	60.090	72.090	84.090	96.090
	PRODUCT LENGTH (IN) - x2P	24.562	36.562	48.562	60.562	72.562	84.562	96.562
	HOUSING LENGTH (IN)	24.188	36.188	48.188	60.188	72.188	84.188	96.188
Intermediate	APERTURE (IN)	24	36	48	60	72	84	96
	PRODUCT LENGTH (IN)	24	36	48	60	72	84	96
	HOUSING LENGTH (IN)	23.969	35.969	47.969	59.969	71.969	83.969	95.969

*All values rounded to +/- 1/16"

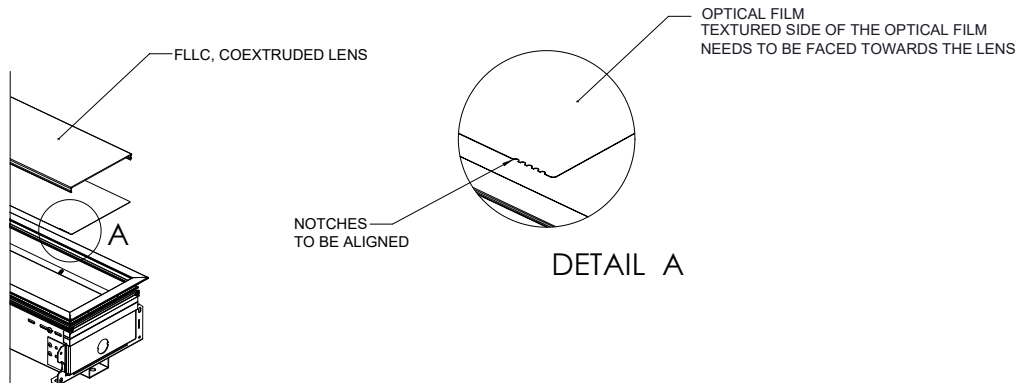
Approximate Fixture Section Weights		2-Foot	3-Foot	4-Foot	5-Foot	6-Foot	7-Foot	8-Foot
WEIGHT (LBS)		13	18	22	31	35	39	44

DIRECT SHIELDING & OPTIONS



DIRECT DISTRIBUTION

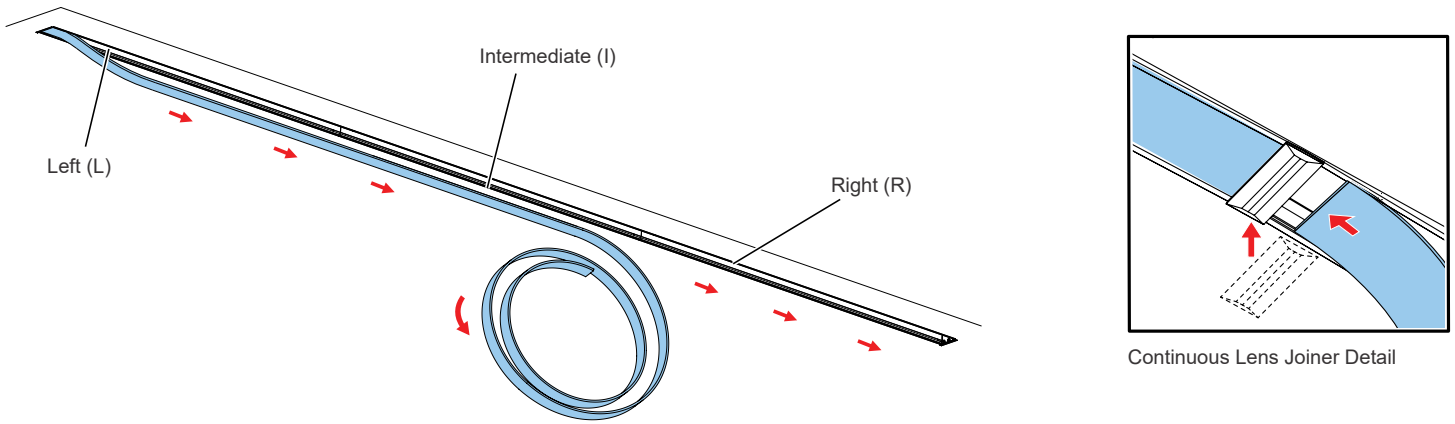
Optical Film for DAS distribution with co-extruded lens standard.
Direction of light for DAS distribution will be in the direction of the notches on the film.



Optical Film	Number of Notches
Diffuser	4
Direct Asymmetric (DAS)	1

CONTINUOUS LENS

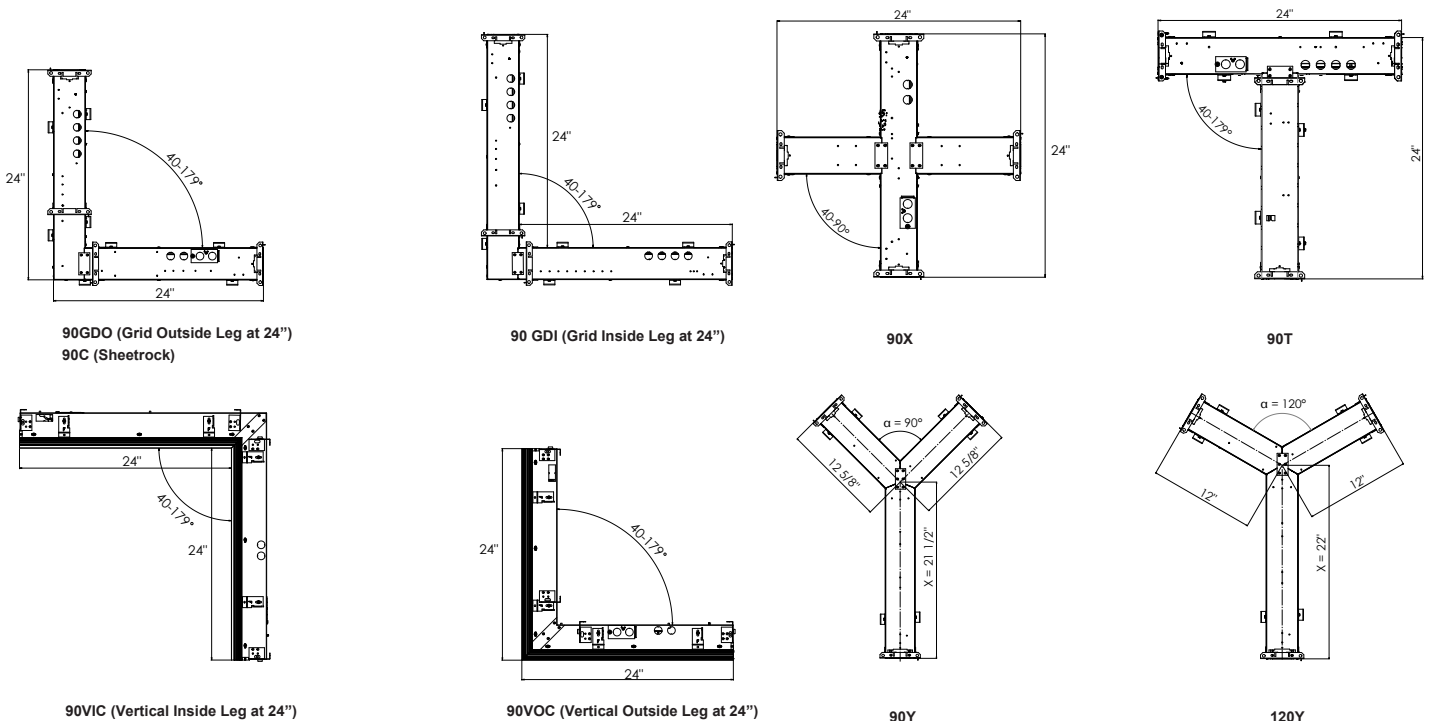
40-foot maximum uninterrupted length. From 40-foot 1/8-inch to 106-foot, visible joiner required and supplied with lens rolls. Joiner will match color of trim. Continuous lens and joiners, if required, ship separate from the fixture. Reference installation instructions for further details and steps.



RUN PATTERNS, CORNERS, & JUNCTIONS

Patterns can be configured in 1' increments with illuminated L (corner), X, Y, & T connectors. Standard corner has 2' leg segments. Standard L (corner) connector angles are available in 40-179 degrees in 1 degree increments. Standard T & Y connector angles are available in 40-179 degrees in 1 degree increments. Standard X connector angle available in 40-90 degrees in 1 degree increments.

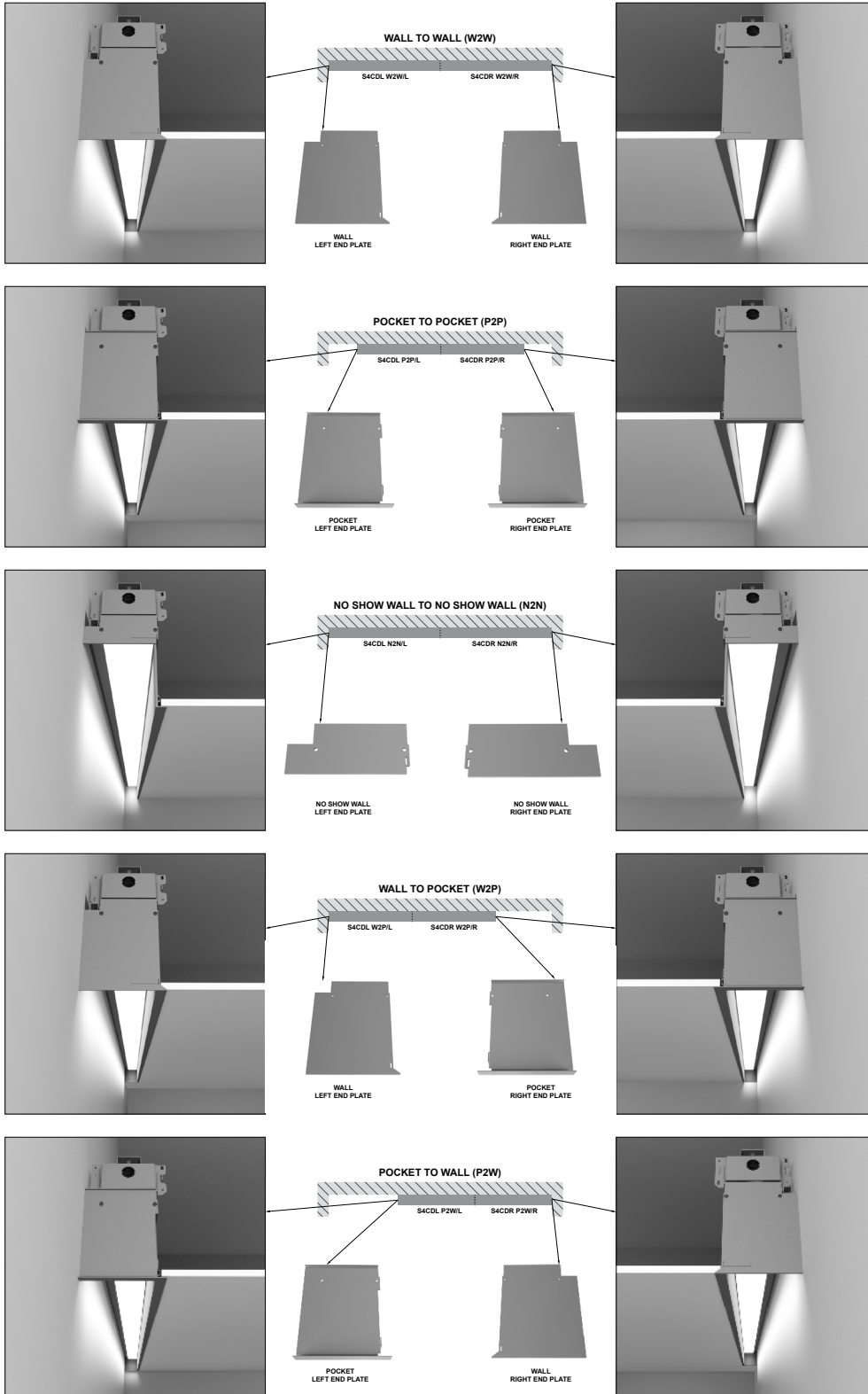
See separate pattern spec sheet for more details.



NOTE: For Y intersections, dimension X varies depending on the angle α. Angle α can be in a range of 40-179°.

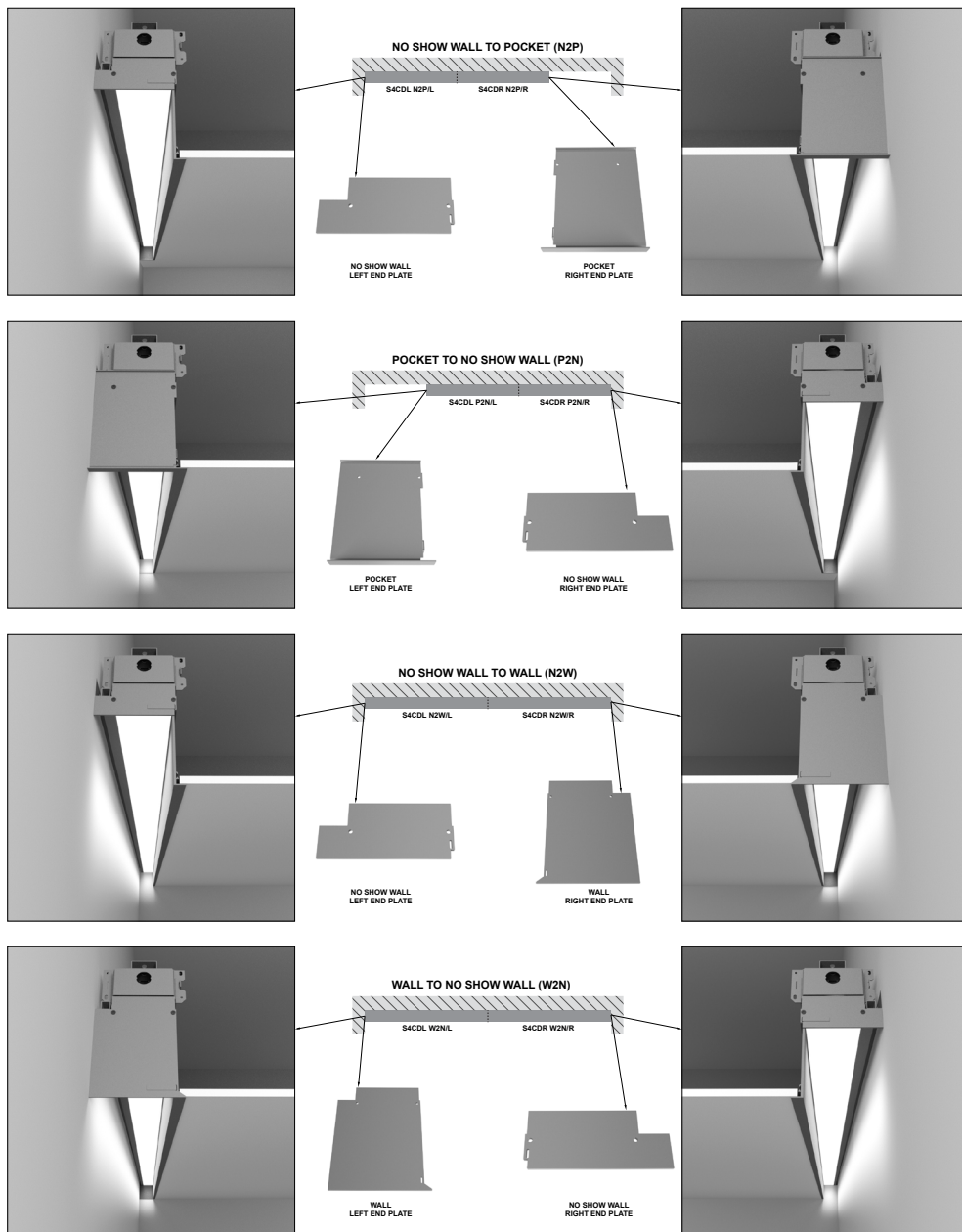
ENDPLATE DETAIL

FL Trim Run



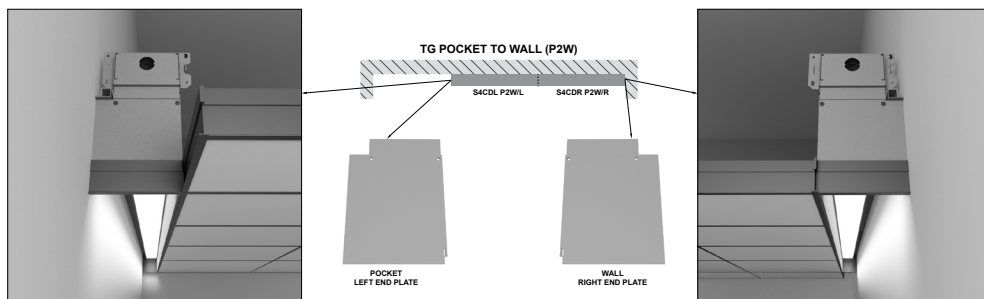
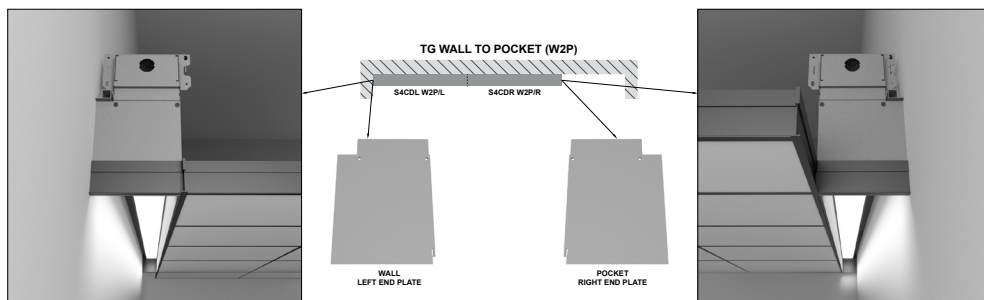
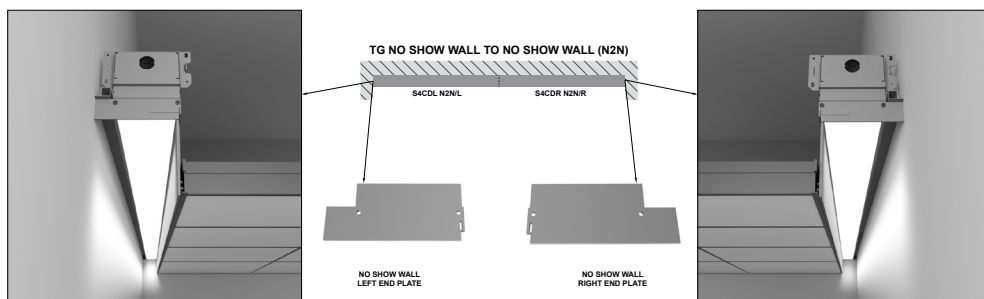
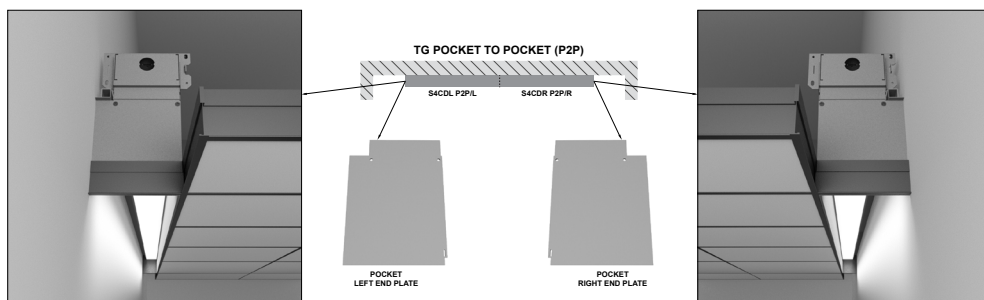
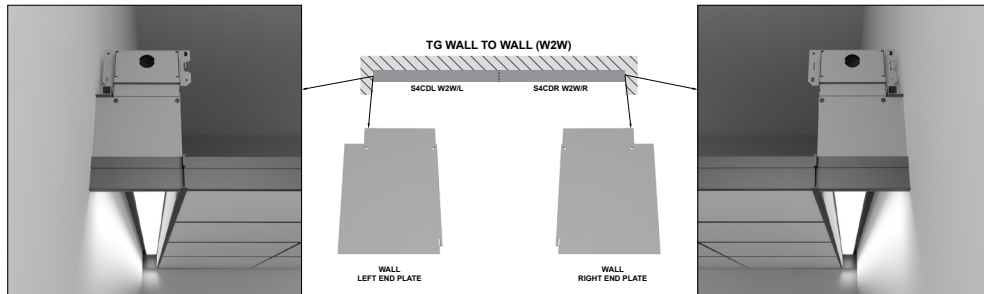
ENDPLATE DETAIL (continued)

FL Trim Run



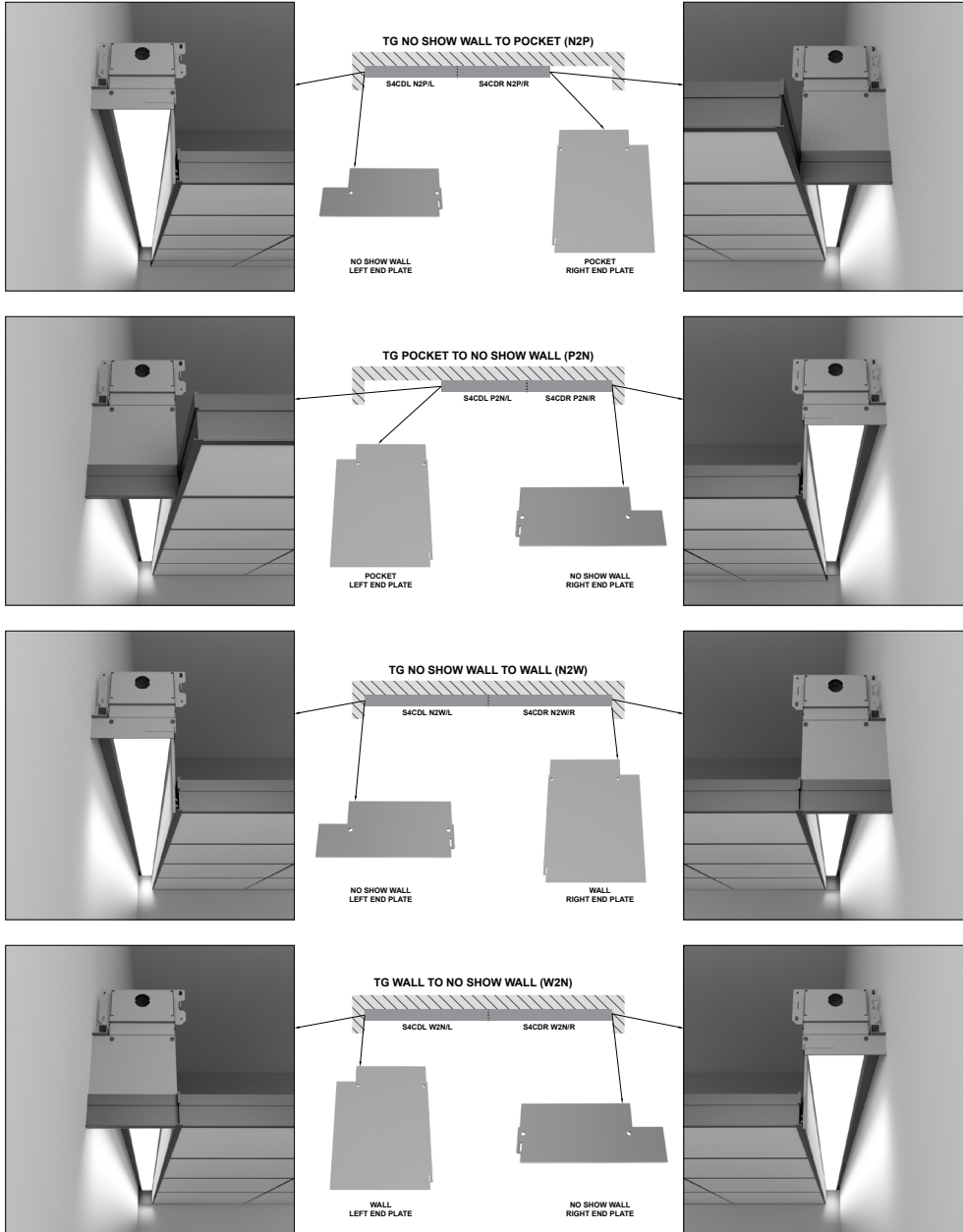
ENDPLATE DETAIL (continued)

TG Trim Run



ENDPLATE DETAIL (continued)

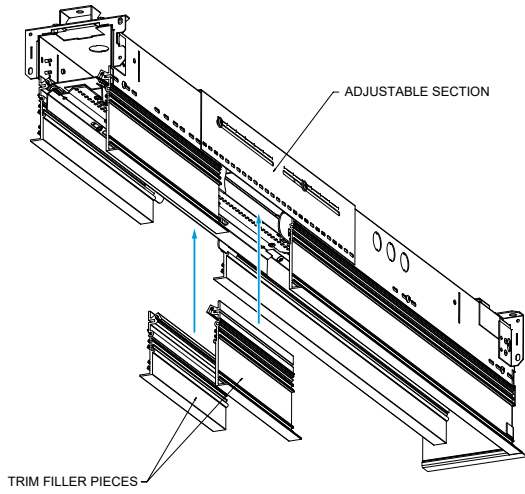
TG Trim Run



ADDITIONAL OPTIONS

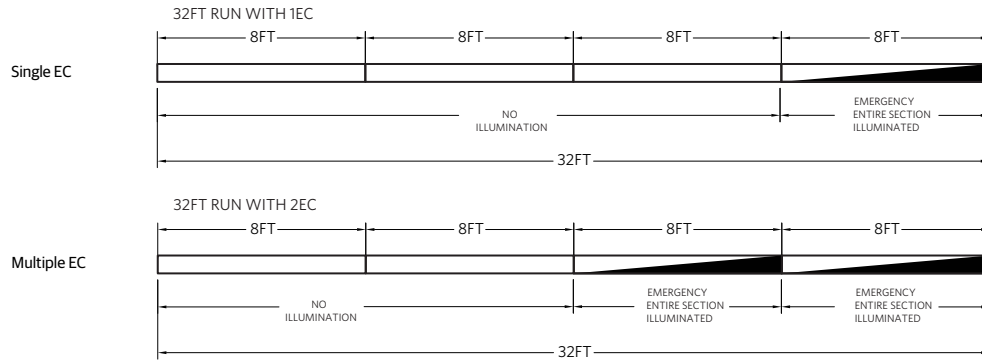
Field Adjustable (+0/-12") Section (ADJS)

Shipped as a 4, 6, 7, or 8-foot individual or end of run right side fixture.
Left end of fixture is field trimmed to length. Reference page 2 ORDERING
section for option exclusions.



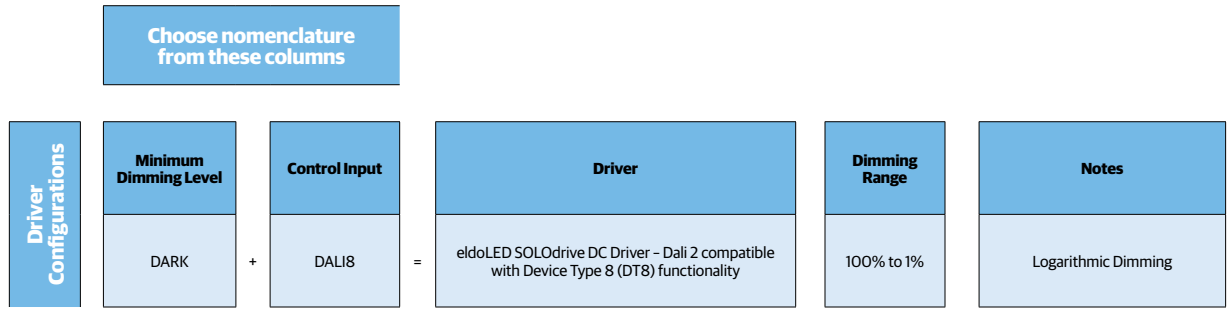
EMERGENCY OPTIONS

Emergency Circuits



Control Input	
Section Length	EC
U2-U2/11.875	Entire Section Length
U3-U3/11.875	Entire Section Length
U4	Entire Section Length
U4/0.125-U4-11.875	Entire Section Length
U5-U5/11.875	Entire Section Length
U6-U6/11.875	Entire Section Length
U7-U7/11.875	Entire Section Length
U8	Entire Section Length

INTELLIGENT LUMINAIRE GUIDE



DC2DC

DC-powered Lighting, DC2DC Architecture

Acuity Brands' DC2DC architecture provides for distributed low-voltage DC power and digital controls for a range of LED luminaires, including the S6CD.

The DC2DC architecture enhances an LED lighting system's efficiency by eliminating the need and cost to convert AC to DC power at the luminaire and facilitating the installation and commissioning of lighting controls. Intrinsically more efficient by design, our DC-powered lighting architecture also delivers savings at design and installation, facilitates maintenance, and empowers lighting design focused on sustainable and well-being applications.

Components include:

- DCHUB (ordered separately), distributes DC power up to 1080 VA of DC-powered LED luminaires including support for emergency lighting.
- 57 VDC powered LED luminaires, with Static CCT or Tunable White, based on control options.
- nLight® lighting control
 - Integral or offboard wired networked lighting control, with nLight control devices (ordered separately).
 - Embedded nLight AIR wireless devices in 57VDC powered Static CCT LED luminaires.
- Class 2 power and control cables.
- The number of luminaires that can be supported by a single DCHUB port is a function of luminaire wattage and conductor losses. Please refer to the fixture wattages listed and the DCHUB spec sheet for additional details. Alternatively, the LED luminaires can be supplied with an approved, UL Listed, Class 2 power source supplying between 52.3 and 57.0 VDC at the input to the luminaire.

Note:

All luminaires require 57VDC option along with the corresponding Control Input option for DALI or DALI8 external nPS80 DALI 57VDC wired nLight control or NLTAIR2 or NLTAIREM2 embedded wireless lighting control.

When using external wired nLight control, nPS80 DALI 57 VDC is mounted locally with the controlled luminaires. Only 2 #16 AWG (min.) conductors are necessary between the DC power source and the nPS80 DALI controller, and 4 conductors between the controller and the luminaires.

When using nLight embedded wireless controls only 2 #16 AWG (min.) conductors are necessary between the DC power source and the luminaire runs.

Click [DC2DC](#) for more information.

FIXTURE PERFORMANCE, DEVICE ADDRESSES, & FEED CHART¹

Nominal Lumens/Foot		Slot 6 Perimeter Direct ¹									
		300LMF		400LMF		600LMF		800LMF		1000LMF	
CCT		27K	65K	27K	65K	27K	65K	27K	65K	27K	65K
Delivered Lumens/Foot		259	272	367	367	555	555	744	744	931	933
DC Input Watts/Foot²		2.3	2.3	3.3	3.1	5.1	4.5	7.0	6.0	8.6	8.2
Lumens/Watt		111	117	112	120	108	123	107	125	108	113
# Device Addresses and Feeds	2FT	1		1		1		1		1	
	3FT	1		1		1		1		1	
	4FT	1		1		1		1		1	
	5FT³	2		2		2		2		2	
	6FT⁴	2		2		2		2		2	
	7FT⁵	2		2		2		2		2	
	8FT⁴	2		2		2		2		2	

Notes

1. Based on a 4FT 90CRI TUWH RHHR (27K-65K) fixture with 6" depth lens regress (6D), standard lambertian distribution, and flush lens (FLL). Consult factory for other section lengths.
2. Standard photometry based on AC wattage, DC wattage = AC wattage * .93
3. For 5ft fixtures with two feeds, wattage for Feed 1 is 3/5 of the total wattage and for Feed 2 is 2/5 of the total wattage
4. For 6ft and 8ft fixtures with two feeds, wattage per feed is half of the total wattage
5. For 7ft fixtures with two feeds, wattage for Feed 1 is 4/7 of the total wattage and for Feed 2 is 3/7 of the total wattage

General Note: Combine feeds based on maximum port supply wattage or as shown on drawings. Refer to Mark Linear Submittal drawings for additional feed configuration information.

Example Calculation:

5FT 1000LMF

Device Addresses and Feeds: 2 Addresses and Feeds

Total Wattage: 8.6 W/FT x 5FT = 43W

Feed 1: 3/5 x 43W = 25.8W

Feed 2: 2/5 x 43W = 17.2W

SPECIFICATIONS

Housing

Nominal 6" x 2', 3', 4', 5', 6', 7', 8' and continuous rows in 1/8" increments starting at 2', as standard. Upper housing fabricated from cold-rolled steel with extruded aluminum ceiling trim.

Finish

Standard colors for fixture trims are polyester powder coated white, anti-microbial white, black, or silver with satin sheen. Consult factory for custom colors or specify RAL colors from Architectural brochure.

Reflector

Precision-formed steel; high reflectance matte white powder coat; 93% reflectivity.

Optics (Distribution)

Direct Asymmetric (DAS) incorporate co-extruded lense and film.

Lenses/Shielding

Extruded acrylic lens, (CLL, FLL).

Mounting

Sheetrock: Recessed ceiling only to accommodate sheetrock, 1/2" minimum to 1-1/2" maximum depth for FL trim option.

Grid: To accommodate 9/16" Flat Tee with Lay-In Tile, 9/16" Flat Tee with Tegular Tile, 9/16" Slot Tee with Tegular Tile, 15/16" Flat Tee with Lay-In Tile, & 15/16" Flat Tee with Tegular Tile for TG trim option.

LED Source

Multiple lumen packages available in Rhythm Range (2700K-6500K) in 90CRI. The Acuity Brands circuit boards for the linear LED components use a precise binning algorithm which creates a consistent color temperature from board to board. Color variation of no greater than a 2.5 Step MacAdam (2.55DECM) along the black body locus from board to board.

Electrical

Long-life LEDs, coupled with high-efficiency drivers, provide superior quantity and quality of illumination for extended service life. 90% LED lumen maintenance at 60,000 hours (L90/60,000).

Circuits

Single switching option only.

Dimming Driver

eldoLED constant current driver options deliver choice of dimming range for ultrasmooth dimming resolution from 100% to less than 1% , and choices for control, while assuring flicker free, low current inrush, 89% efficiency and low EMI. Luminaires operate over a voltage ranging from 53VDC to 57VDC.

Ambient Operating Temperature Range

-20°C (-4° F) to +25°C (+77°F)

Environment

Suitable for damp location. Indoor use only.

Certification

CSA certified to meet U.S. and Canadian standards (UL1598 and UL8750). This product is IC rated.

Fixture Weight

Approximately 4.0 lbs per foot, less packaging.

Warranty

5-year limited warranty. This is the only warranty provided and no other statements in this specification sheet create any warranty of any kind. All other express and implied warranties are disclaimed. Complete warranty terms located at: www.acuitybrands.com/support/warranty/terms-and-conditions

Notes: Actual performance may differ as a result of end-user environment and application.

All values are design or typical values, measured under laboratory conditions at 25°C.

Specifications subject to change without notice