



## 8200 SERIES

### Yoke Mount; 72 LED

### DMX Color Changing

#### HIGHLIGHTS

- Expected service life of over 100,000 hours
- Corrosion resistant, zinc-infused, durable TGIC thermoset powder coat finish
- Copper free aluminum housing
- IP67 rated
- 3G rated
- Available in RGBW as custom

**5**  
YEAR  
warranty



IP67



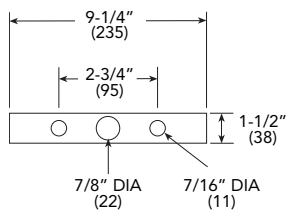
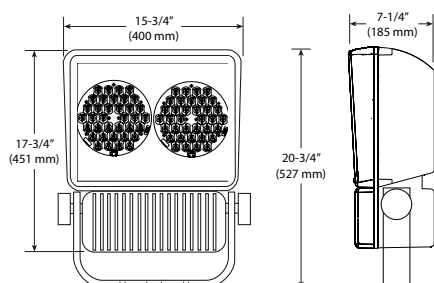
**BAA**

**BABA**

#### Specifications

|                       |                      |
|-----------------------|----------------------|
| EPA:                  | 2.10 ft <sup>2</sup> |
|                       | 0.195 m <sup>2</sup> |
| Length:               | 15-3/4"              |
|                       | 400 mm               |
| Width:                | 7-1/4"               |
|                       | 185 mm               |
| Height:               | 20-3/4"              |
|                       | 527 mm               |
| Height <sup>2</sup> : | 17-3/4"              |
|                       | 451 mm               |
| Weight:               | 54lbs                |

#### DIMENSIONS



#### YOKE FOOT PRINT

#### LUMEN PACKAGES

|                  | NSP   | MFL   | FL    | WFL   | HSP   | HFL   |
|------------------|-------|-------|-------|-------|-------|-------|
| Delivered Lumens | 4,109 | 4,354 | 4,272 | 4,301 | 4,358 | 4,485 |
| Watts            | 193   | 193   | 193   | 193   | 193   | 193   |
| LPW              | 21    | 23    | 22    | 22    | 23    | 23    |

Note: Information based on all colors full on

**ORDERING INFORMATION**

**EXAMPLE: 8200 72LED RGB MVOLT WFL YM RDM BL**

| Model*   | Lamp type*   | LED Color*   | Voltage*  | Distribution*  | Mounting*  | Mounting Accessories  |  |
|--|--|--|---|--|--|---|--|
| <b>8200</b>  | <b>72LED</b>   | <b>RGB</b><br><i>Note:<br/>Available in<br/>RGBW as<br/>custom</i> | <b>MVOLT</b> (120-277 Volt)   | <b>NSP</b> Narrow Spot<br><b>MFL</b> Medium Flood<br><b>FL</b> Flood<br><b>WFL</b> Wide Flood<br><b>VWFL</b> Very Wide Flood (no optics)<br><b>HSP</b> Horizontal Spot<br><b>HFL</b> Horizontal Flood  | <b>YM</b> Yoke Mount<br><b>YMTM</b> Yoke Mount with Tenon Slipfitter (mounts over 2-3/8" OD tenon)<br><br><i>Note:<br/>YMTM not valid with mounting accessories except for TNM</i> | <b>EWM_</b> Ext. Wall Mt Available 18" - 36" in 6" increments<br><b>PAR_/_/_</b> Pole Arm Round 4", 5", or 6" Pole 12", 18", or 24" length (i.e. PAR5/18)<br><b>PAS_/_/_</b> Pole Arm Square 4", 5", or 6" Pole 12", 18", or 24" length (i.e. PAS4/24)<br><b>PATR_/_/_1</b> Pole Arm Twin Round 4", 5", or 6" Pole 12", 18", or 24" length (i.e. PATR6/12)<br><b>PATS_/_/_1</b> Pole Arm Twin Square 4", 5", or 6" Pole 12", 18", or 24" length (i.e. PATS6/12) |  |
| Mounting Accessories (Cont'd)  |  | Accessories  |   | Control  |  | Finish*   |  |
| <b>PMSA_</b> Pole Mt Splice Access<br><b>PMT1</b> Pole Mount Tee<br><b>PSSA</b> Ped. Stanchion Splice Access<br><b>SMSA_</b> Stan. Mt Splice Access available 12"-48" in 6" increments<br><b>SMT12/36'</b> Stanchion Mount Tee, 12" height, 36" arm length<br><b>SMT18/36'</b> Stanchion Mount Tee, 18" height, 36" arm length<br><b>SMT24/36'</b> Stanchion Mount Tee, 24" height, 36" arm length | <b>External</b> <sup>2</sup><br><b>BD</b> Barn Doors<br><b>FGS</b> Full Glare Shield<br><b>HGS</b> Half Glare Shield<br><b>WRG</b> Wire Rock Guard | <b>RDM</b> <sup>3</sup> Remote device management                   | <b>BL</b> Black<br><b>BZ</b> Bronze<br><b>DDB</b> Dark Bronze<br><b>DNA</b> Natural Aluminum<br><b>GN</b> Green<br><b>GR</b> Gray<br><b>SND</b> Sand<br><b>STG</b> Steel Gray<br><b>TVG</b> Terra Verde Green | <b>WH</b> White<br><b>CF</b> Custom<br><b>_Z<sup>4</sup></b> Zinc Undercoat (i.e. BLZ)<br><b>RALTB</b> RAL Paint Finishes<br><br><i>Note:<br/>RALTB for pricing only, replace with applicable RAL call out when ready to order. See the RALBROUCHURE for available options. It is recommended only use textures paint for Hydrel fixtures.</i> |  |   |  |

**ELECTRICAL LOAD**

| Light Engines | Drive Current (mA) | System Watts | Current (A) |      |      |      |
|---------------|--------------------|--------------|-------------|------|------|------|
|               |                    |              | 120         | 208  | 240  | 277  |
| 72LED         | 750mA              | 193W         | 1.61        | 0.93 | 0.80 | 0.70 |

\*Required Categories

- Notes:
- 1 Requires (2) two fixtures per mounting.
  - 2 Each option is mutually exclusive, choose one only.
  - 3 RDM = Field discoverable and field programmable DMX.
  - 4 Add Zinc undercoat for harsh environments.

## PERFORMANCE DATA

### LUMEN OUTPUT

Lumen values are from photometric tests performed in accordance with IESNA LM-79-08. Data is considered to be representative of the configurations shown, within the tolerances allowed by Lighting Facts. Actual performance may differ as a result of end-user environment and application. Contact factory for performance data on any configurations not shown here. Photometric data for underwater lighting is based on the theoretical output of a dry fixture. The final output of a fixture placed in water is determined by the depth that the fixture is placed, the clarity and turbulence of the water and the color of the surrounding concrete and/or tile.

|                    | Distribution | NEMA TYPE | Beam Angle (50%)<br>H x V | Field Angle (10%)<br>H x V | Watts   | LPW | Delivered Lumens |
|--------------------|--------------|-----------|---------------------------|----------------------------|---------|-----|------------------|
| All colors full on | NSP          | 1 x 1     | 7 x 7                     | 16 x 17                    | 193     | 21  | 4,109            |
|                    | MFL          | 3 x 3     | 21 x 21                   | 38 x 38                    | 193     | 23  | 4,354            |
|                    | FL           | 5 x 5     | 59 x 63                   | 77 x 81                    | 193     | 22  | 4,272            |
|                    | WFL          | 6 X 6     | 90 x 107                  | 121 x 127                  | 193     | 22  | 4,301            |
|                    | HSP          | 4 x 2     | 38 x 9                    | 53 x 20                    | 193     | 23  | 4,358            |
|                    | HFL          | 2 x 4     | 2 x 4                     | 9 x 30                     | 19 x 46 | 193 | 23               |

OPERATING TEMPERATURE: -30°C Through 40°C

## RECOMMENDED CONTROLLERS

### Easyl DMX touchscreen

<http://www.acuitybrands.com/products/detail/210270/Fresco/Easyl/Easyl-DMX512A-Show-Controller>



**Easyl™ Solo:** Is a standalone entry-level controller enabling show creation and playback directly at the LCD touchscreen.

**Easyl™ Touch:** features an astronomic time clock for automating shows and expands the controller's features by accepting inputs from remote button stations, and button station contact closure inputs.

**Easyl™ Pro:** is further enhanced by using Easyl Studio™ computer software to create multi-zone shows, and Easyl Pro features a 20 hour DMX512 capture from a theatrical console.

### Fresco

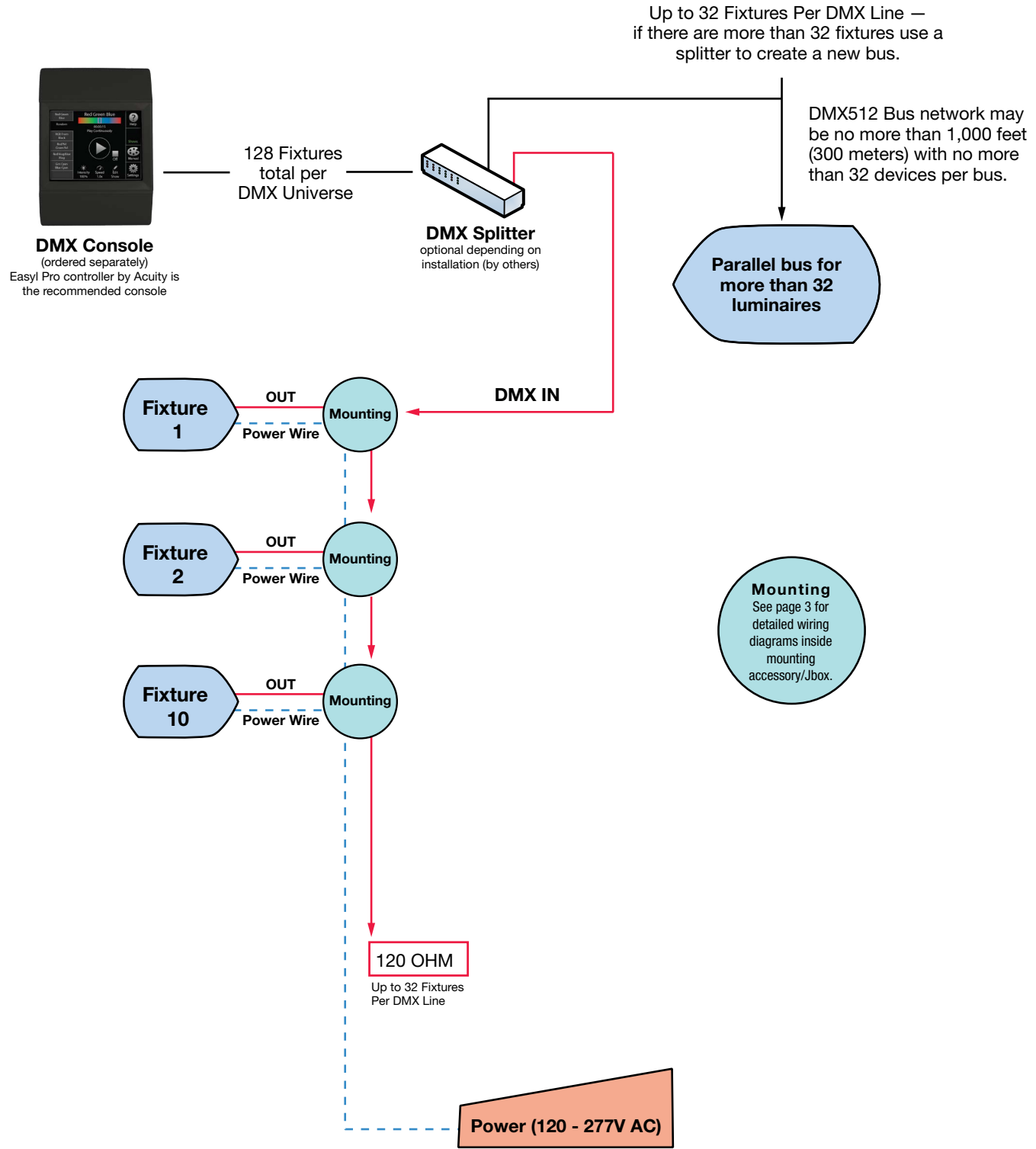
<http://www.acuitybrands.com/products/detail/223381/Fresco/Fresco-Touchscreen-Lighting-Controllers>



### FCS

- Create and edit 36 lighting scenes including intensity, color, and color temperature
- Integral astronomic timeclock with battery backup for system scheduling
- Direct DMX control for 1 universe (512 slots)
- Internal Bluetooth® radio for wireless App control

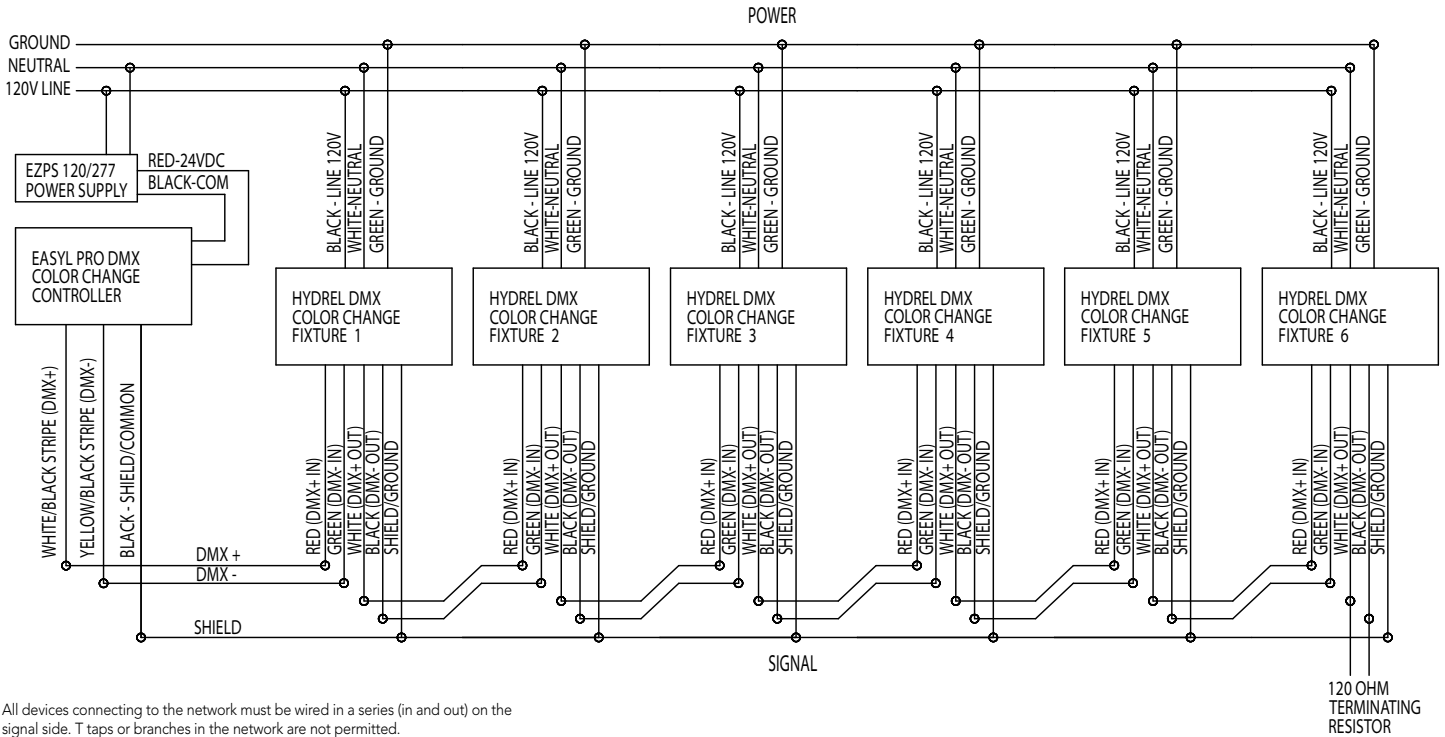
**DMX WIRING - FLOOD**



Notes:

1. DMX512 must be terminated by a 120 ohm resistor.
2. Signal cable by others, cable must be two-pair with a maximum capacitance of 12.8 pF/ft. and a impedance of 120 ohm.

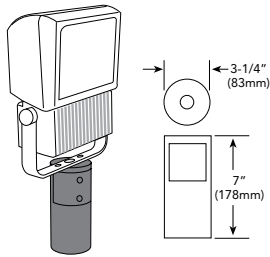
**DMX CONNECTION AND TERMINATION - WIRING DIAGRAM**



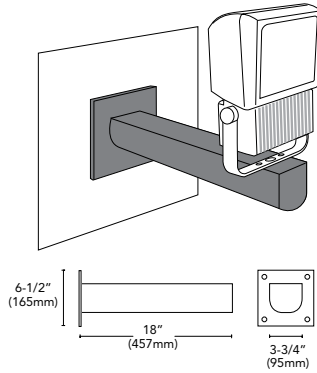
All devices connecting to the network must be wired in a series (in and out) on the signal side. T taps or branches in the network are not permitted.

## MOUNTING OPTIONS

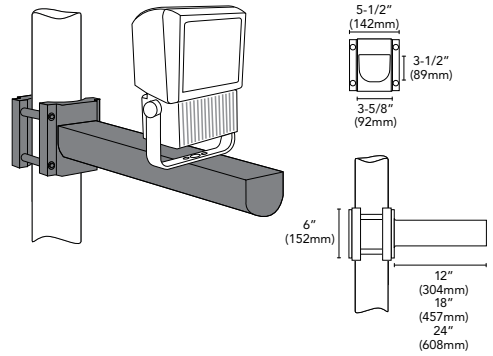
**PMSA**  
7" POLE MOUNT  
WITH SPLICE ACCESS  
EPA: 0.18



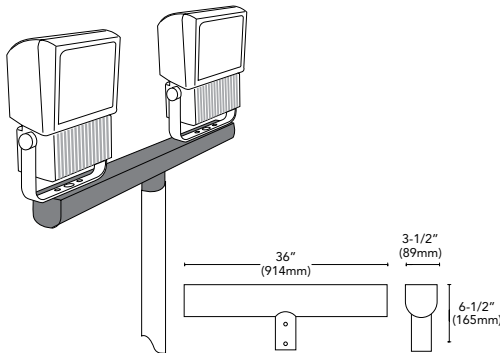
**EWM**  
EXTENDED WALL MOUNT  
18" - 36" LENGTHS



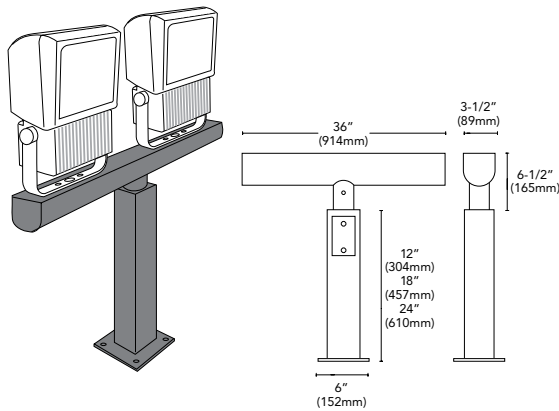
**PAR/PAS & PATR/PATS (SINGLE & TWIN ARM)**  
POLE ARM ROUND/SQUARE  
12" - 24" LENGTH AVAILABLE  
EPA: 0.52 per 18" arm



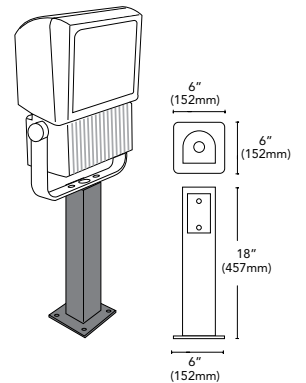
**PMT**  
POLE MOUNT TEE  
EPA: 1.05



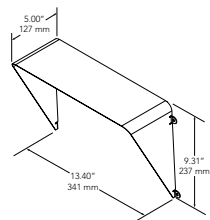
**SMT**  
STANCHION MOUNT TEE  
12", 18" or 24" HEIGHTS AVAILABLE



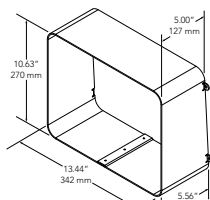
**SMSA/PSSA**  
SMSA STANCHION AVAILABLE IN 12" - 48"  
HEIGHTS (example: SMSA18, SMSA24)  
PSSA Pedestal Stanchion - 7" HEIGHT



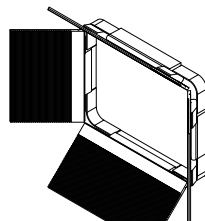
## EXTERNAL ACCESSORIES



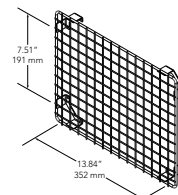
**HGS - Half Glare Shield**



**FGS - Full Glare Shield**



**BD - Barn Doors**



**MRG - Wire Rock Guard**

---

## SPECIFICATIONS AND FEATURES

---

**MATERIAL:** Die Cast Copper Free Aluminum (A360) Housing and Doors.

**LED:** RGB LED array, 193 input watts max.. Lumen maintenance of individual light sources has been independently tested using IESNA LM80 standards.

**OPTICS:** NEMA flood (2x2 through 6x6), horizontal flood (4x2), vertical flood (2x4).

**LENS:** Flat tempered glass for maximum resistance to impact and thermal shock.

**MOUNTING:** Aluminum yoke & stainless steel locking hardware with infinite aiming adjustment capabilities and a wide array of mounting accessories. The 8200 series can withstand up to a 3G vibration load rating per ANSI/IEEE C136.31. Luminaires are provided with 10' of 16-3 ST-W cord for power supply and 10' of DMX data cable.

**CONTROL:** DMX512. Color control is achieved through standard DMX512 hardware, at a maximum of 44 frames per second. All channels have logarithmic power for finer color and intensity control. Compatible with the EasyL and Fresco controllers from Acuity. Controllers must be ordered separately.

**GLARE CONTROL:** External Glare Control options include Barn Doors, Full and Half Glare Shields.

**ELECTRICAL:** Integral ELDO RGB power drive, MVOLT (120-277 volt) 50/60HZ LED Power Supply, dims to zero. THD< 20%, class 2 driver with 100% to 0% dimming.

**FINISH:** Exterior parts are protected by a zinc-infused super durable TGIC thermoset powder coat finish that provides superior resistance to corrosion and weathering. A tightly controlled multi-stage process ensures a minimum 3 mils thickness for a finish that can withstand extreme climates without cracking or peeling.

**LISTING:** CSA, CSA<sub>US</sub>, IP67

### GOVERNMENT PROCUREMENT

BAA – Buy America(n) Act: Product qualifies as a domestic end product under the Buy American Act as implemented in the FAR and DFARS. Product also qualifies as manufactured in the United States under DOT Buy America regulations.

BABA – Build America Buy America: Product qualifies as produced in the United States under the definitions of the Build America, Buy America Act. Please refer to [www.acuitybrands.com/resources/buy-american](http://www.acuitybrands.com/resources/buy-american) for additional information.

**WARRANTY:** 5-year limited warranty. Complete warranty terms located at: [www.acuitybrands.com/support/warranty/terms-and-conditions](http://www.acuitybrands.com/support/warranty/terms-and-conditions)

Consult factory for details.

**NOTE:** Actual performance may differ as a result of end-user environment and application. All values are design or typical values, measured under laboratory conditions at 25 °C. Specifications subject to change without notice.