



Fixture Type	Date
Job Name	Approved By
Catalog Number	



SPECIFICATIONS

Description	The VRNL Vandal Resistant Night Light features a robust ligature-resistant construction designed to excel in vandal-prone areas, behavioral institutions, and correctional facilities. With multiple outputs available and an energy saving optional photocell, it can be adapted to meet the varying needs of any demanding environment.
Housing	Die-cast aluminum shroud and Machined faceplate with no visible fasteners as seen from standard viewing angles.
Mounting	Recommended mounting height of 18in to the faceplate bottom. Fixture designed to mount to a Steel City junction box or equivalent. (provided by others) Recommended switch box for new work installation Steel City CWV 1/2". Existing work installation Steel City CY 1/2". Must be a minimum of 3" X 2" X 2.5" depth. Thru-Wall Junction Box requires 2x mud rings provided by other.
LED Drivers	Integral electronic driver for 120 through 277V. Complies to FCC CFR Title 47 Part 15, Class A EMI noise rating.
LED	LED available with four static white color temperatures/90CRI or amber option all within a 3 MacAdam ellipse. LED rated for >60,000 hours L80 at 25°C ambient temperature.
Listing	Suitable for wet location. IK10, Wet location from front of faceplate only. Components on backside of faceplate/recessed into wall are damp location. IP66 with no-pick caulk around faceplate (provided by others). CSA certified to meet U.S. and Canadian standards (UL1598 and UL8750) and CAN/CSA C22.2 No. 250. Or NOM Certified.
Government Procurement	BAA – Buy American Act: This product is available in a version that qualifies as a domestic end product under the Buy American Act as implemented in the FAR and DFARS. BABA – Build America Buy America: This product is available in a version that qualifies as produced in the United States under the definitions of the Build America, Buy America Act, as implemented by 2 C.F.R. Part 184 and other agency implementing regulations, including Department of Transportation regulations. Please refer to www.acuitybrands.com/resources/buy-american for additional information.
Warranty	Lifetime warranty against vandalism. Luminaire LED will repair or replace any fixture damaged due to vandalism for the lifetime of the installation. 10-year warranty on LED boards against operational defects. Tested in accordance with LM-80. This is the only warranty provided and no other statements in this specification sheet create any warranty of any kind. All other express and implied warranties are disclaimed.
Note	Actual performance may differ as a result of end-user environment and application. All values are design or typical values, measured under laboratory conditions at 25 °C. Specifications subject to change without notice.

PHOTOMETRIC DATA

Nominal Lumens	HLO			LLO		
	Delivered Lumens	Input Watts	Lumens/Watt	Delivered Lumens	Input Watts	Lumens/Watt
2700K	81	1.56	52	24	0.46	52
3000K	83	1.56	53	24	0.46	52
3500K	85	1.56	54	25	0.46	54
4000K	89	1.56	57	26	0.46	57
AMBER	50	1.53	33	21	0.62	34

ORDERING INFORMATION

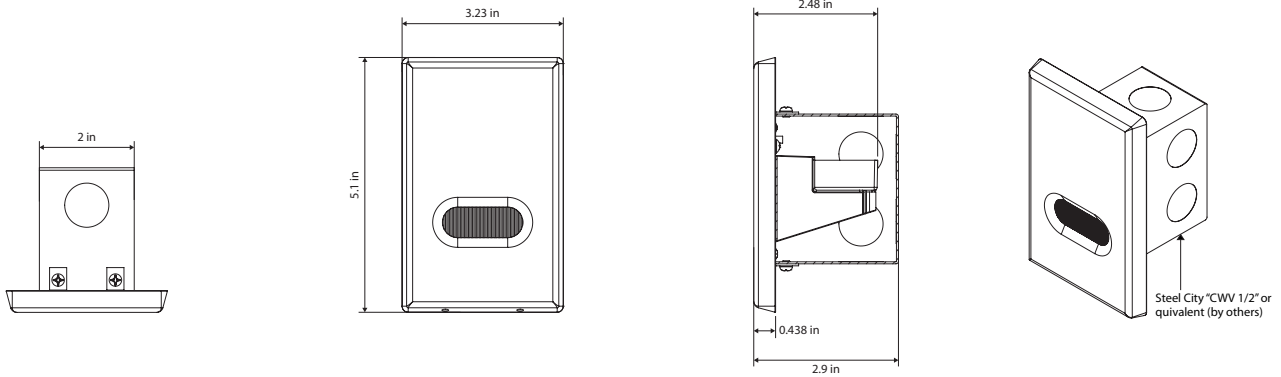
Example: VRNL VTR HLO 35K MVOLT AMF

Series*		Trim*		Lumens*		CCT*		Territory Compliance		Voltage*		Finish*		Photocell	
VRNL	Vandal Resistant Night Light	VTR	Vertical	LLO	Low Lumen Output	27K	2700K	(blank)	NOM Not Required	MVOLT	120-277 Volt	AMF	White Antimicrobial Finish	(blank)	No Photo Cell Required
		HZR	Horizontal	HLO	High Lumen Output	30K	3000K		NOM	57VDC	57 Volt DC	BA	Brushed Aluminum	PC	Photo Cell
						35K	3500K					BLK	Black		
						40K	4000K					BRZ	Bronze		
						AMB	Amber					WHT	White		
												RALTB	RALTB		
												<i>RALTB for pricing only. Replace with applicable RAL call out when ready to order. See the RAL BROCHURE for available options. Not all colors are NSF certified.</i>			

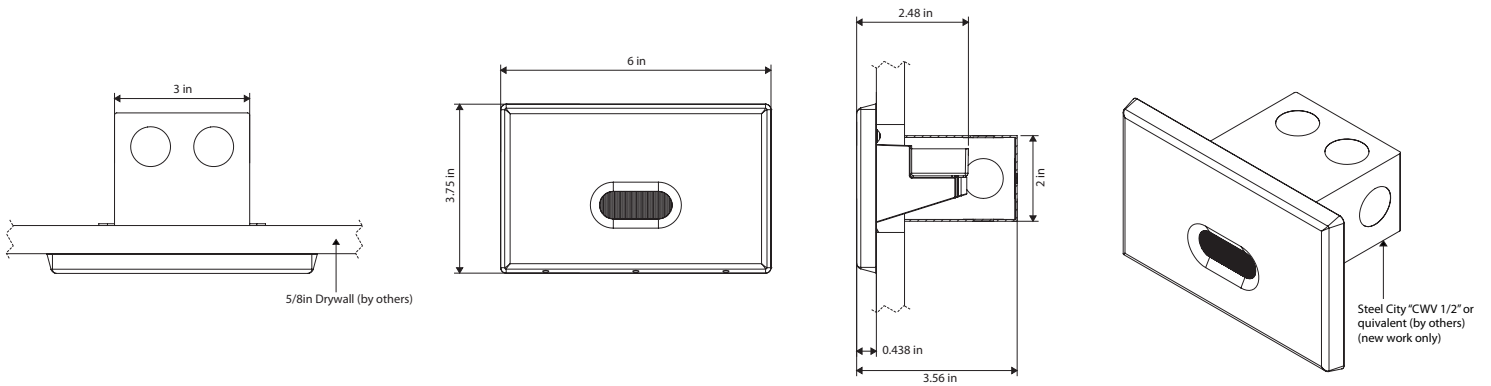
* Required Fields

Accessories: Order as separate catalog number	
THRUBOX	Thru-Wall Junction Box

VERTICAL DIMENSIONAL DATA

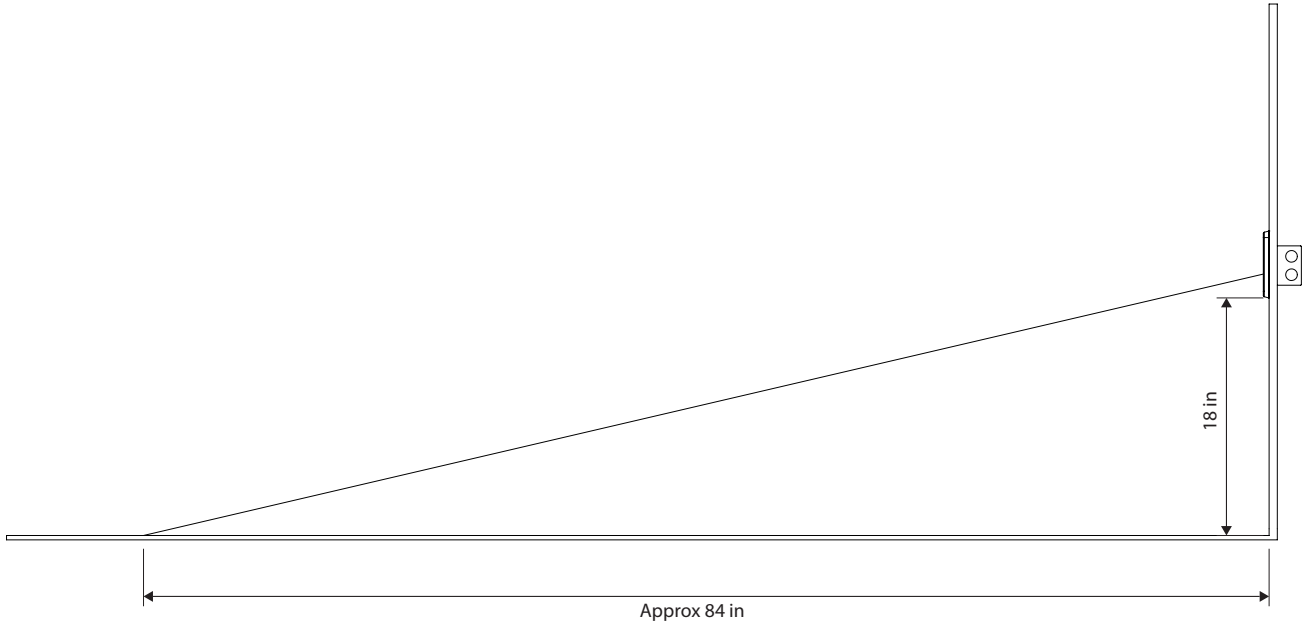


HORIZONTAL DIMENSIONAL DATA

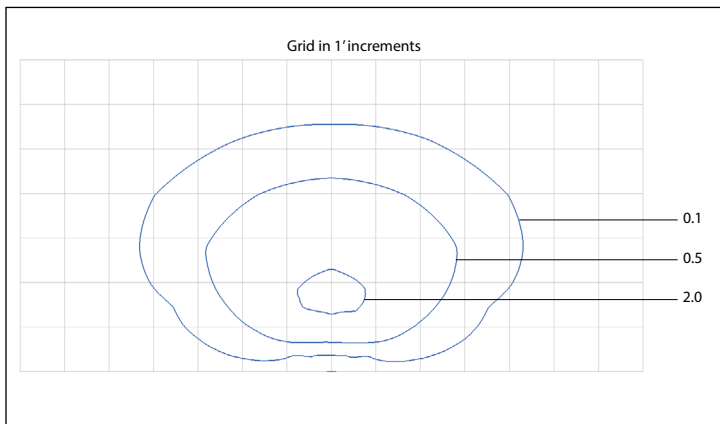


DISTRIBUTION

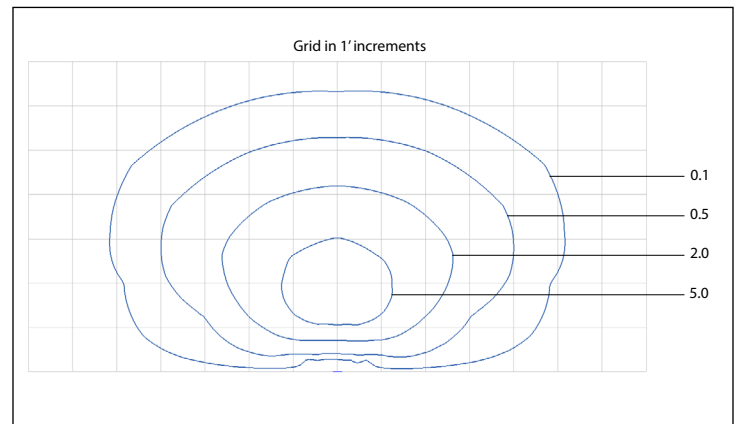
Typical Distribution Based on 35K



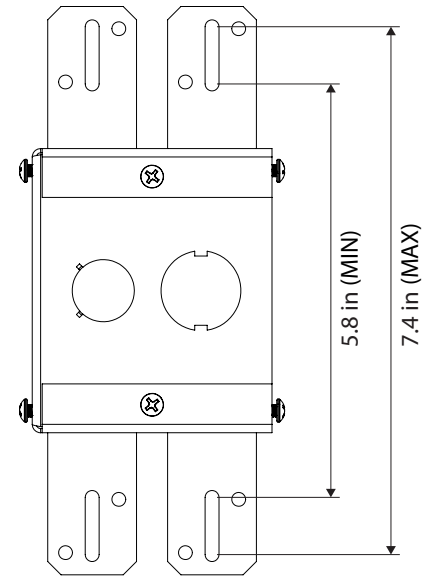
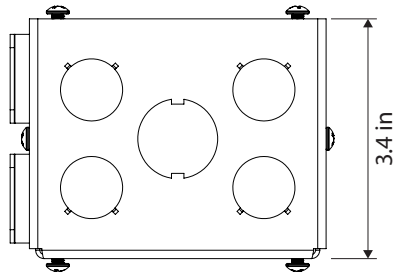
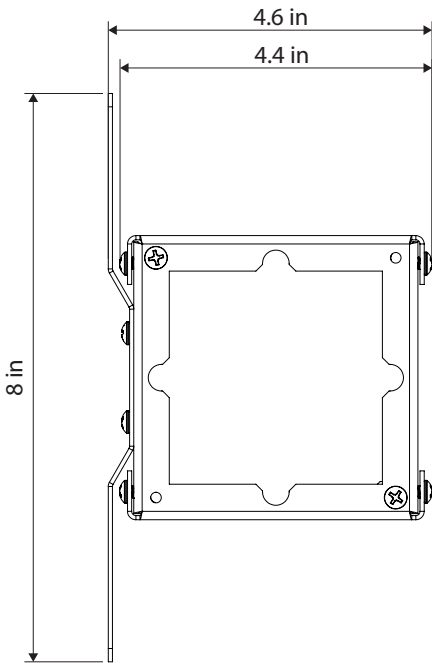
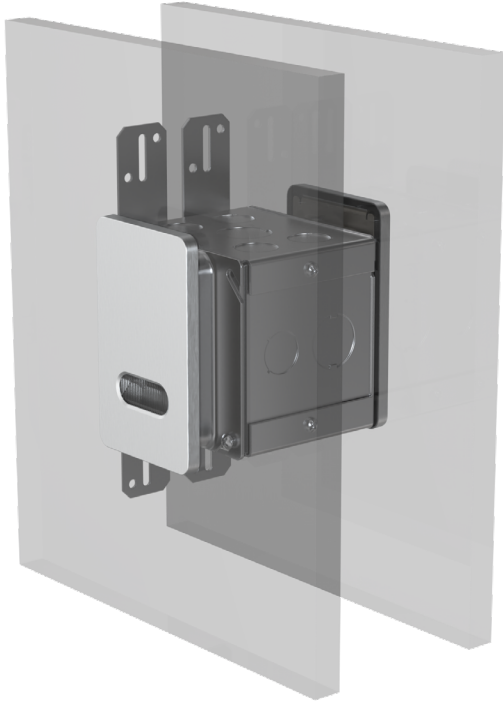
35K LLO



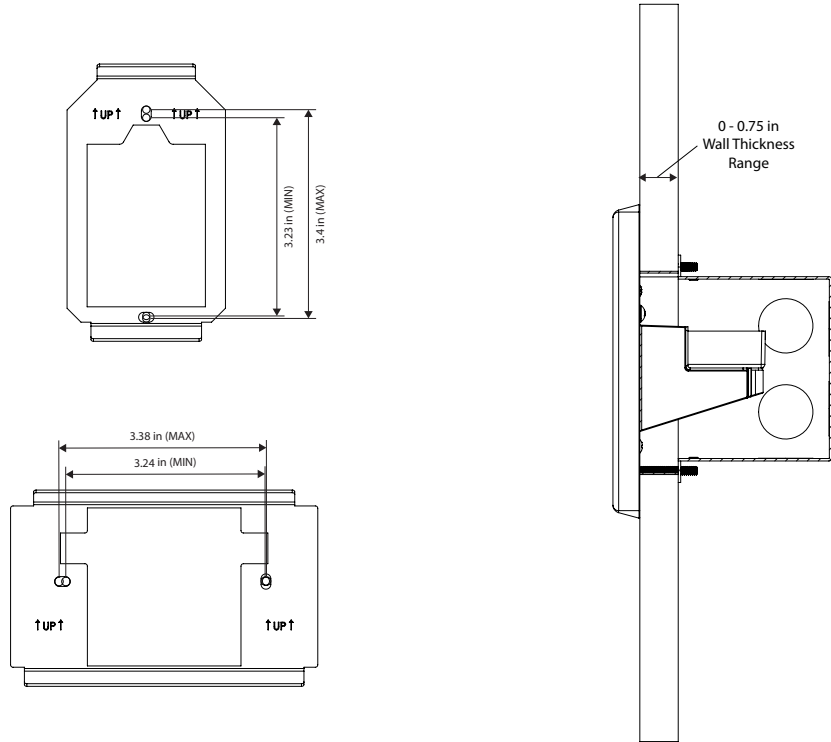
35K HLO



THRUBOX OVERALL DIMENSIONS

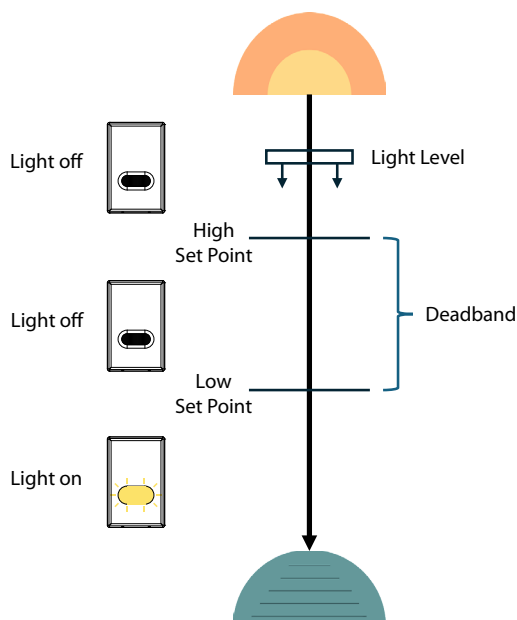


MIN-MAX FIELD CONDITIONS

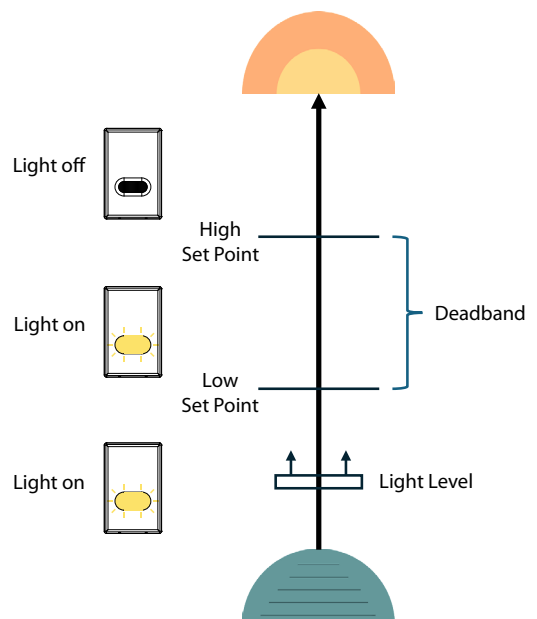


PHOTOCELL DETAILS

Decreasing Light Level

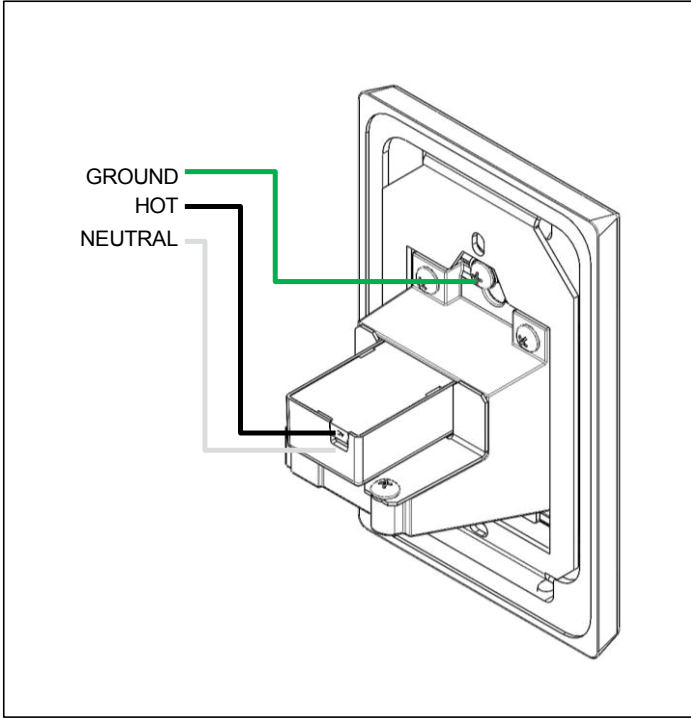


Increasing Light Level

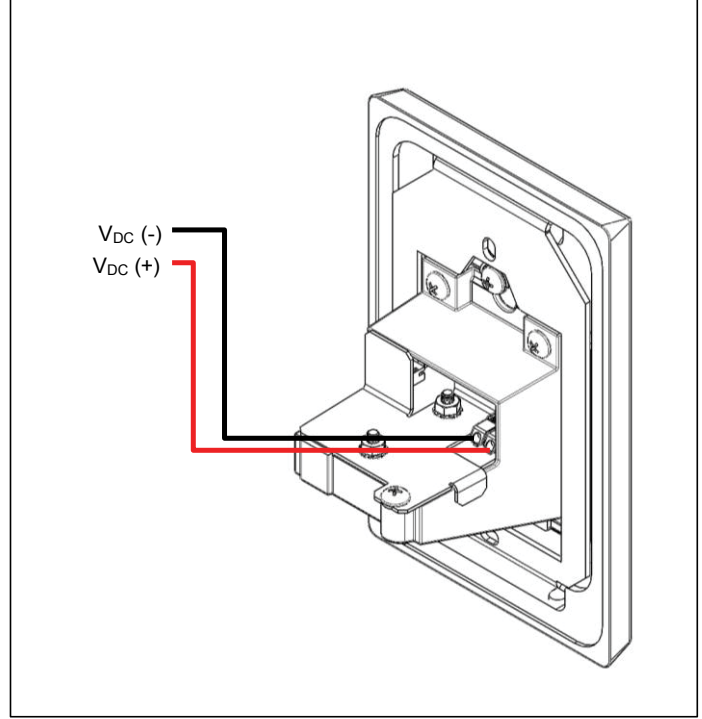


WIRING

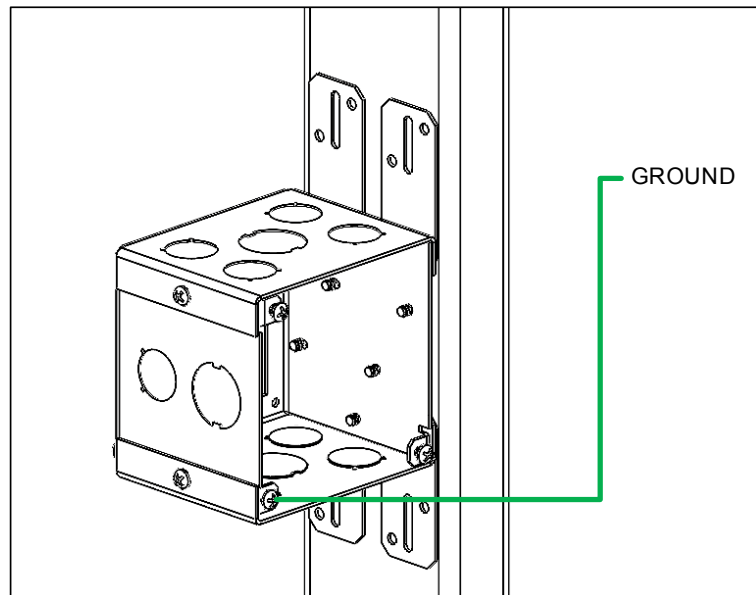
MVOLT



57VDC



THRUBOX



DC2DC

DC-powered Lighting, DC2DC Architecture

Acuity Brands' DC2DC architecture provides for distributed low-voltage DC power and digital controls for a range of LED luminaires, including the VRNL Vandal Resistant Night Light series.

The DC2DC architecture enhances an LED lighting system's efficiency by eliminating the need and cost to convert AC to DC power at the luminaire and facilitating the installation and commissioning of lighting controls. Intrinsically more efficient by design, our DC-powered lighting architecture also delivers savings at design and installation, facilitates maintenance, and empowers lighting design focused on sustainable and well-being applications.

Components include:

- DCHUB (ordered separately), distributes DC power up to 1080 VA of DC-powered LED luminaires including support for emergency lighting.
- 57 VDC powered LED luminaires, with Static CCT or Tunable White, based on control options.
- nLight® lighting control
 - Integral or offboard wired networked lighting control, with nLight control devices (ordered separately).
 - Embedded nLight AIR wireless devices in 57VDC powered Static CCT LED luminaires.
- Class 2 power and control cables.
- The number of luminaires that can be supported by a single DCHUB port is a function of luminaire wattage and conductor losses. Please refer to the fixture wattages listed and the DCHUB spec sheet for additional details. Alternatively, the LED luminaires can be supplied by an approved, UL Listed, Class 2 power source supplying between 52.3 and 57.0 VDC at the input to the luminaire.

Note:

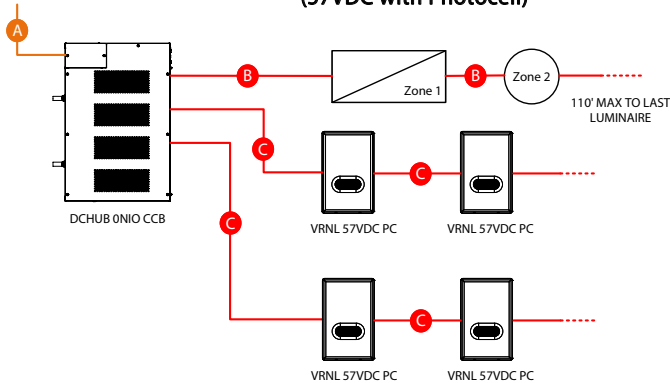
All luminaires require 57VDC option along with the corresponding Control Input option for DALI or DALI8 external nPS80 DALI 57VDC wired nLight control or NLTAIR2 or NLTAIREM2 embedded wireless lighting control.

When using external wired nLight control, nPS80 DALI 57 VDC is mounted locally with the controlled luminaires. Only 2 #16 AWG (min.) conductors are necessary between the DC power source and the nPS80 DALI controller, and 4 conductors between the controller and the luminaires.

When using nLight embedded wireless controls only 2 #16 AWG (min.) conductors are necessary between the DC power source and the luminaire runs.

Click [DC2DC](#) for more information

DC2DC Architecture – Vandal Resistant Night Light (57VDC with Photocell)



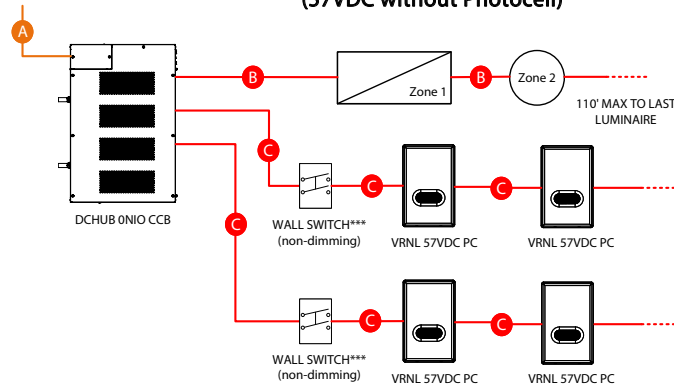
WIRE LEGEND

A	Line Power – 120/277VAC
B	DC Power/Control (by others) Class 2, 4x 16 AWG*
C	DC Power (by others) Class 2, 2x 16 AWG**

*Provided 40ft starter cable can be used in place of DC Power/Control cable "B" from DCHUB port to Zone 1 if length is sufficient

**CS40 2C16 recommended for 2-conductor, Class 2 DC Power cable "C" for connecting DCHUB-to-VRNL and VRNL-to-VRNL.

DC2DC Architecture – Vandal Resistant Night Light (57VDC without Photocell)



WIRE LEGEND

A	Line Power – 120/277VAC
B	DC Power/Control (by others) Class 2, 4x 16 AWG*
C	DC Power (by others) Class 2, 2x 16 AWG**

*Provided 40ft starter cable can be used in place of DC Power/Control cable "B" from DCHUB port to Zone 1 if length is sufficient.

**CS40 2C16 recommended for 2-conductor, Class 2 DC Power cable "C" for connecting DCHUB-to-Wall Switch, Wall Switch-to-VRNL, and VRNL-to-VRNL.

***(by others) Class 2, low voltage wall switch rated to 60VDC. A DC-to-DC step down transformer (by others, not shown) may be used before the wall switch to reduce voltage from the DCHUB to 24VDC. VRNL requires 16-57VDC input. Follow applicable electrical codes.