



PARADOX 4

4" Marker Light LED (Low Voltage)

HIGHLIGHTS

- Integral junction box for wire splicing
- U.V. stabilized, impact and corrosion resistant housing

5
YEAR
warranty



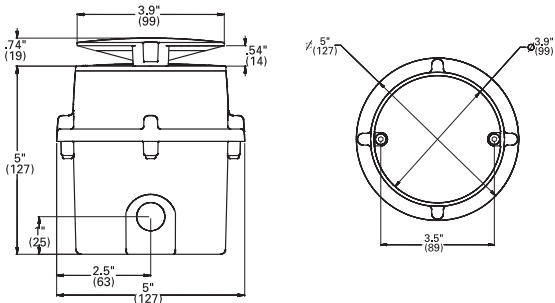
IP67



Specifications

Length:	5" 127 mm
Width:	3.9" 99 mm
Height:	5" 127 mm

DIMENSIONS



ORDERING INFORMATION

EXAMPLE: PDX4ML B 9LED WHT53K 12 ML360 FLC 12S LPI

Model*	Material*	LED Array*	LED Color*	Voltage*
PDX4ML	B Bronze	9LED	WHT53K Cool White WHT41K Neutral White WHT30K Warm White AMB Amber BLU Blue GRN Green RED Red	12
Light Distribution*	Lens*	Conduit Entries*	Lamp*	Listing
ML180 180° ML360 360°	FLC Flat Lens Clear	12S¹ Two 1/2" NPT Side (Standard) 12B¹ Two 1/2" NPT Bottom 20S² Two M20X 1,5 Side (Standard) 20B² Two M20X 1,5 Bottom	LPI LED Array Included	IEC ² International Electrotechnical Commission

Notes:
 1 Only for use in 60HZ applications.
 2 Only for use in 50HZ applications.

NOTE: Hydrel Reserves The Right To Modify Specification Without Notice. Any dimension on this sheet is to be assumed as a reference dimension: "Used for information purposes only. It does not govern manufacturing or inspection requirements." (ANSI Y14.5-1973)

SPECIFICATIONS AND FEATURES

DOOR MATERIAL: Die cast bronze.

HOUSING: Die cast bronze and injection molded thermoplastic. The housing is U.V. stabilized, impact and corrosion resistant for use in all types of environments

LAMP TYPE: LED: Monochromatic LED, 9W. All within 3MacAdam ellipses.

VOLTAGE: 12 volt

LIGHT DISTRIBUTION: See ordering guide.

LENS/SEAL: Tempered clear flat borosilicate glass. The patent pending door / lens seal uses proprietary knife edge technology to secure the assembly to the housing. Two captive screws hold the assembly in place. The lens is notched to provide maximum aperture opening.

CONDUIT ENTRIES: Two 1/2" NPT side entries standard, two 1/2" bottom entries are optional.

POWER MODULE: NEMA rated enclosure and remote mounted transformer (sold separately). See ordering information on Hydrel's standard transformers and enclosures, look under the Poles and Accessories category on the Hydrel website.

FINISH: Natural bronze with a brushed finish.

LISTING: U.L., C.U.L.

GOVERNMENT PROCUREMENT
 BAA – Buy America(n) Act: Product qualifies as a domestic end product under the Buy American Act as implemented in the FAR and DFARS. Product also qualifies as manufactured in the United States under DOT Buy America regulations.
 BABA – Build America Buy America: Product qualifies as produced in the United States under the definitions of the Build America, Buy America Act.
 Please refer to www.acuitybrands.com/resources/buy-american for additional information.

WARRANTY: 5-year limited warranty. This is the only warranty provided and no other statements in this specification sheet create any warranty of any kind. All other express and implied warranties are disclaimed. Complete warranty terms located at: www.acuitybrands.com/support/warranty/terms-and-conditions

NOTE: Actual performance may differ as a result of end-user environment and application. All values are design or typical values, measured under laboratory conditions at 25 °C. Specifications subject to change without notice.