



Consistent with LEED® goals & Green Globes™ criteria for light pollution reduction



Autobahn Series ATBL Roadway

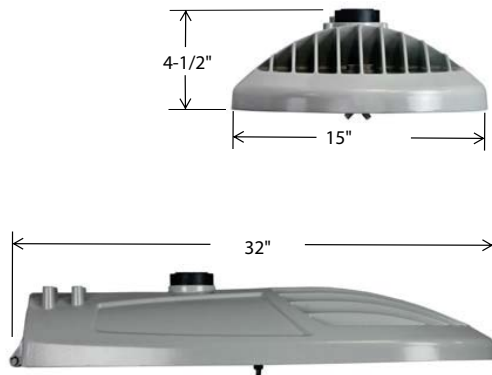
PRODUCT OVERVIEW



Applications:

- Residential streets
- Parking lots
- High speed roadways

DIMENSIONS



Effective Projected Area (EPA)
The EPA for the ATBL is 0.75 sq. ft.,
Approx. Wt. = 30 lbs. (13.6 kg)

STANDARDS

DesignLights Consortium® (DLC) qualified product. Not all versions of this product may be DLC qualified. Please check the DLC Qualified Products List at www.designlights.org/QPL to confirm which versions are qualified.

Color temperatures of $\leq 3000\text{K}$ must be specified for International Dark-Sky Association certification.

Rated for -40°C to 40°C ambient
CSA Certified to U.S. and Canadian standards
Complies with ANSI: C136.2, C136.10, C136.14, C136.31, C136.15, C136.37

GOVERNMENT PROCUREMENT — BAA – Buy America(n) Act: Product with the BAA option qualifies as a domestic end product under the Buy American Act as implemented in the FAR and DFARS. Product with the BAA option also qualifies as manufactured in the United States under DOT Buy America regulations.

BABA – Build America Buy America: Product with the BAA option also qualifies as produced in the United States under the definitions of the Build America, Buy America Act.

Please refer to www.acuitybrands.com/buy-american for additional information.

Features:

OPTICAL

Same Light: Performance is comparable to 250W – 400W HPS.

White Light: Correlated color temperature - 4000K, 70 CRI minimum, 3000K, 70 CRI minimum or optional 5000K, 70 CRI minimum.

IP66 rated borosilicate glass optics ensure longevity and minimize dirt depreciation. Unique IP66 rated LED light engines provide 0% uplight and restrict backlight to within sidewalk depth, providing optimal application coverage and optimal pole spacing.

Available distributions are Type II, IIN, III, IV, V roadway distributions.

ELECTRICAL

Expected Life: LED light engines are rated $> 100,000$ hours at 25°C , L70.
Electronic driver has an expected life of 100,000 hours at a 25°C ambient.

Lower Energy: Saves an expected 40-60% over comparable HID luminaires.

Robust Surge Protection: Three different surge protection options provide a minimum of ANSI C136.2 10kV/5kA protection. 20kV/10kA protection is also available.

Luminaire ships with a 0-10v dimmable driver. Luminaire is continuous and step dimming capable via A0 option or controls installed on P7 photocontrol receptacle option.

MECHANICAL

Includes standard AEL lineman-friendly features such as tool-less entry, 3 station terminal block and quick disconnects. Bubble level located inside the electrical compartment for easy leveling at installation.

Rugged die-cast aluminum housing and door are polyester powder-coated for durability and corrosion resistance. Rigorous five-stage pre-treating and painting process yields a finish that achieves a scribe creepage rating of 8 (per ASTM D1654) after over 5000 hours exposure to salt fog chamber (operated per ASTM B117).

Mast arm mount is adjustable for arms from 1-1/4" to 2" (1-5/8" to 2-3/8" O.D.) diameter. The 2 – bolt and optional 4 bolt clamping mechanism provide 3G vibration rating per ANSI C136.31.

The Wildlife shield is cast into the housing (not a separate piece).

CONTROLS

NEMA 3 pin photocontrol receptacle is standard, with the Acuity designed ANSI standard 5 pin and 7 pin receptacles optionally available.

Premium solid state locking-style photocontrol – PCSS (10 year rated life) Extreme long life solid state locking-style photocontrol – PCLL (20 year rated life).

Extreme long life solid state locking-style photocontrol with on demand remote on/off control – PCCC (15 year rated life).

Optional onboard Adjustable Output module allows the light output and input wattage to be modified to meet site specific requirements, and also can allow a single fixture to be flexibly applied in many different applications.

Note: Specifications subject to change without notice. Actual performance may differ as a result of end-user environment and application.

Autobahn Series ATBL Roadway

ORDERING INFORMATION

Example: ATBL A MVOLT R2

Series	Performance Packages	Voltage	Optics	Mounting
ATBL Autobahn LED Roadway	A 19,000 lumens B 21,000 lumens C 22,000 lumens D 25,000 lumens E 27,000 lumens F 29,000 lumens G 30,000 lumens	MVOLT Multi-volt, 120-277V 347 347V 480 480V	N2 Roadway Type II, Narrow R2 Roadway Type II R3 Roadway Type III R4 Roadway Type IV R5 Roadway Type V	(Blank) 2 Bolt Mounting 4B 4 Bolt Mounting
Options				

Color Temperature (CCT)

(Blank)	4000K CCT, 70 CRI Min.
3K	3000K CCT, 70 CRI Min.
5K	5000K CCT, 70 CRI Min.

Paint

(Blank)	Gray
BK	Black
BZ	Bronze
DDB	Dark Bronze
GI	Graphite
WH	White

Surge Protection

(Blank)	Standard 10kA/5kV SPD
20	20kV/10kA SPD
MP	MOV Pack - 10kA/5kV SPD
IL	SPD with Indicator Light 10kA/5kV SPD ¹

Miscellaneous Options

HSS	House Side Shield
NL	NEMA Label Indicating Wattage
PT	Power Tray
XL	Not CSA Certified – No Terminal Block Cover
BAA	Buy America(n) Act and/or Build America Buy America Qualified

Control Options

(Blank)	3 Pin NEMA Photocontrol Receptacle
P5	5 Pin Photocontrol Receptacle (dimmable driver included) ¹
P7	7 Pin Photocontrol Receptacle (dimmable driver included) ¹
NR	No Photocontrol Receptacle ²
A0	Field Adjustable Output ¹
DM	0-10V Dimmable Driver ³
PCSS	Solid-State Lighting Photocontrol ⁴
PCLL	Solid-State Long Life Photocontrol
PCCC	Solid-State Long Life Photocontrol with remote control on/off
SH	Shorting Cap ⁵

Packages

(Blank)	Standard Pack
JP	Job Pack (24 per pallet)

Notes:

1. Dimmable Driver included. Not available with DM.
2. Not available with P5 or P7.
3. Controls by Others. Not available with A0.
4. MVOLT only.
5. Not available with PCSS or PCLL.

For Accessories see next page.



AEL Headquarters, One Lithonia Way, Conyers Georgia 30012
 www.americanelectriclighting.com Phone: 1-866-HOLOPHANE
 Email: TechSupport-Lighting@AcuityBrands.com

© 2015-2024 Acuity Brands Lighting, Inc. All Rights Reserved. ATBL 04/16/24

Warranty Five-year limited warranty. This is the only warranty provided and no other statements in this specification sheet create any warranty of any kind. All other express and implied warranties are disclaimed. Complete warranty terms located at: www.acuitybrands.com/support/warranty/terms-and-conditions

Note: Actual performance may differ as a result of end-user environment and application. All values are design or typical values, measured under laboratory conditions at 25 °C. Specifications subject to change without notice.

Please contact your sales representative for the latest product information.

Autobahn Series ATBL Roadway

ORDERING INFORMATION

Accessories (order separately)

ATBLHSS	House Side Shield
ATBL LTS	Light Trespass Shield
RKATBLMVOLTSPD	ATBL Acuity SPD Replacement Kit MVOLT
RKATBLHVSPD	ATBL Acuity SPD Replacement Kit 347/480V
RKATBLMVOLT20	ATBL 20kV SPD Replacement Kit MVOLT
RKATBLHV20	ATBL 20kV SPD Replacement Kit 347/480V
RKATBLMVOLTMP	ATBL MOV Pack Replacement Kit MVOLT
RKATBLHVMP	ATBL MOV Pack Replacement Kit 347/480V
RKATBLMVOLTIL	ATBL IL SPD Replacement Kit
RKATBLUV-AC-20KV	ATBL (A,C) STD SPD / 20kV Replacement Power Tray MVOLT
RKATBLUV-B-20KV	ATBL (B) STD SPD / 20kV Replacement Power Tray MVOLT
RKATBLUV-D	ATBL (D) STD SPD Replacement Power Tray MVOLT
RKATBLUV-E	ATBL (E) STD SPD Replacement Power Tray MVOLT
RKATBLUV-F	ATBL (F) STD SPD Replacement Power Tray MVOLT
RKATBLUV-G	ATBL (G) STD SPD Replacement Power Tray MVOLT
RKATBLUV-D-20KV	ATBL (D) 20kV SPD Replacement Power Tray MVOLT
RKATBLUV-E-20KV	ATBL (E) 20kV SPD Replacement Power Tray MVOLT
RKATBLUV-F-20KV	ATBL (F) 20kV SPD Replacement Power Tray MVOLT
RKATBLUV-G-20KV	ATBL (G) 20kV SPD Replacement Power Tray MVOLT
RKATBLHV-AC-20KV	ATBL (A,C) STD SPD / 20kV Replacement Power Tray 347/480V
RKATBLHV-B-20KV	ATBL (B) STD SPD / 20kV Replacement Power Tray 347/480V
RKATBLHV-D-20KV	ATBL (D) STD SPD / 20kV Replacement Power Tray 347/480V
RKATBLHV-E-20KV	ATBL (E) STD SPD / 20kV Replacement Power Tray 347/480V
RKATBLHV-F-20KV	ATBL (F) STD SPD / 20kV Replacement Power Tray 347/480V
RKATBLHV-G-20KV	ATBL (G) STD SPD / 20kV Replacement Power Tray 347/480V



AEL Headquarters, One Lithonia Way, Conyers Georgia 30012
www.americanelectriclighting.com Phone: 1-866-HOLOPHANE
Email: TechSupport-Lighting@AcuityBrands.com

© 2015-2024 Acuity Brands Lighting, Inc. All Rights Reserved. ATBL 04/16/24

Warranty Five-year limited warranty. This is the only warranty provided and no other statements in this specification sheet create any warranty of any kind. All other express and implied warranties are disclaimed. Complete warranty terms located at:
www.acuitybrands.com/support/warranty/terms-and-conditions

Note: Actual performance may differ as a result of end-user environment and application. All values are design or typical values, measured under laboratory conditions at 25 °C. Specifications subject to change without notice.

Please contact your sales representative for the latest product information.

Autobahn Series ATBL

Roadway

P E R F O R M A N C E P A C K A G E

Performance Package	Distribution	Input Watts	3K (3000K CCT, 70 CRI)					4K/5K (4000K/5000K CCT, 70 CRI)					LLD @ 25°C		
			Lumens	LPW	B	U	G	Lumens	LPW	B	U	G	25k Hours	75k Hours	100k Hours
A	N2	170	16,911	99	3	0	3	19,456	114	3	0	3	0.96	0.94	0.92
	R2		16,373	96	3	0	3	18,960	112	3	0	4			
	R3		16,223	95	2	0	4	18,660	110	3	0	4			
	R4		15,755	93	3	0	4	17,926	105	3	0	4			
	R5		17,257	102	4	0	2	20,067	118	4	0	2			
B	N2	181	18,393	102	3	0	3	21,325	118	3	0	3	0.96	0.94	0.92
	R2		17,928	99	3	0	4	20,770	115	3	0	4			
	R3		17,731	98	3	0	4	20,512	113	3	0	4			
	R4		17,114	95	3	0	5	19,900	110	3	0	5			
	R5		18,948	105	4	0	2	22,033	122	5	0	3			
C	N2	200	19,670	98	3	0	3	22,882	114	3	0	3	0.96	0.94	0.92
	R2		19,216	96	3	0	4	22,288	111	3	0	4			
	R3		19,056	95	3	0	4	22,030	110	3	0	4			
	R4		18,326	108	3	0	5	21,308	125	3	0	5			
	R5		20,320	102	4	0	2	23,628	118	5	0	3			
D	N2	209	21,972	105	3	0	3	25,508	122	3	0	4	0.96	0.94	0.92
	R2		21,502	103	3	0	4	25,052	120	3	0	4			
	R3		21,199	101	3	0	5	24,067	115	3	0	5			
	R4		20,419	113	3	0	5	23,824	132	3	0	5			
	R5		22,868	109	5	0	3	26,591	127	5	0	3			
E	N2	238	24,015	101	3	0	3	28,023	118	3	0	4	0.96	0.94	0.92
	R2		23,496	99	3	0	4	27,526	116	3	0	4			
	R3		23,125	97	3	0	5	26,433	111	3	0	5			
	R4		22,548	133	3	0	5	26,219	154	3	0	5			
	R5		25,139	106	5	0	3	29,231	123	5	0	3			
F	N2	259	25,409	98	3	0	4	29,814	115	3	0	4	0.96	0.94	0.92
	R2		24,831	96	3	0	4	29,274	113	3	0	5			
	R3		24,516	95	3	0	5	28,089	108	3	0	5			
	R4		23,970	132	3	0	5	27,873	154	3	0	5			
	R5		26,735	103	5	0	3	31,087	120	5	0	3			
G	N2	279	26,457	95	3	0	4	31,340	112	3	0	4	0.95	0.93	0.92
	R2		26,007	93	3	0	4	30,590	110	3	0	5			
	R3		25,344	91	3	0	5	29,403	105	3	0	5			
	R4		24,680	145	3	0	5	29,207	172	3	0	5			
	R5		28,094	101	5	0	3	32,667	117	5	0	3			

Note: Individual fixture performance may vary. Specifications subject to change without notice.



AEL Headquarters, One Lithonia Way, Conyers Georgia 30012
 www.americanelectriclighting.com Phone: 1-866-HOLOPHANE
 Email: TechSupport-Lighting@AcuityBrands.com
 © 2015-2024 Acuity Brands Lighting, Inc. All Rights Reserved. ATBL 04/16/24

Warranty Five-year limited warranty. This is the only warranty provided and no other statements in this specification sheet create any warranty of any kind. All other express and implied warranties are disclaimed. Complete warranty terms located at: www.acuitybrands.com/support/warranty/terms-and-conditions

Note: Actual performance may differ as a result of end-user environment and application. All values are design or typical values, measured under laboratory conditions at 25 °C. Specifications subject to change without notice.

Please contact your sales representative for the latest product information.