



## PARADOX 4

### 4" Architectural In-Grade LED (Line Voltage)

#### HIGHLIGHTS

- Tilt Kit Optic includes a 5°, 10° and 15° tilt filters and a 5° axial spread filter
- Integral junction box for wire splicing
- U.V. stabilized, impact and corrosion resistant housing
- Integral driver

**5**  
YEAR  
warranty



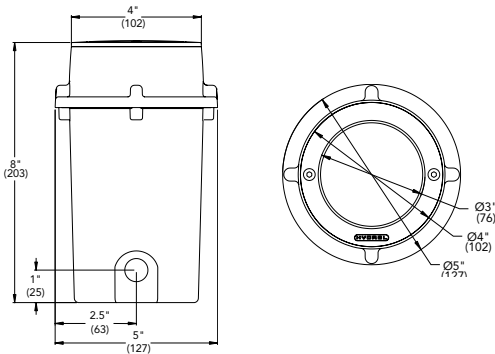
IP67



#### Specifications

Length:	5" 127 mm
Width:	4" 102 mm
Height:	8" 203 mm
Weight:	4lbs

#### DIMENSIONS



#### LUMEN PACKAGES

	SP	MFL
Delivered Lumens	459	554
Watts	10	10
LPW	46	52

Note: Based on 41K

**ORDERING INFORMATION**
**EXAMPLE: PDX4 B 9LED WHT30K MVOLT SP FLC 12S TKO**

Model*	Material*	LED Array*	LED Color*	Voltage*	Distribution*	
PDX4	SS	Stainless Steel	9LED	120 <sup>1</sup> MVOLT <sup>2</sup>	SP Spot MFL Medium Flood	
	BSS	Brushed Stainless Steel	WHT53K			White
	B	Bronze	WHT41K			White
			WHT30K			White
			WHT27K			White
			AMBPC			Phosphor Converted Amber
BLU	Blue					
GRN	Green					
RED	Red					

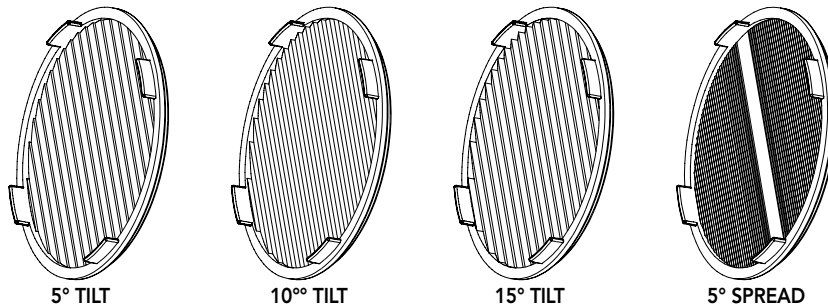
Lens*	Conduit Entries*	Internal Tilt Kit	Options	Listing		
FLC	Flat Lens Clear	TKO Tilt Kit Optic	IDIM In-line dimming 120 volt only	IEC <sup>4</sup> International Electrotechnical Commission		
FLCAS	Flat Lens Clear, Anti-Slip					
FLCSR <sup>3</sup>	Flat Lens Frosted, Slip Resistant				12S	Two 1/2" NPT Side (Standard)
					12B	Two 1/2" NPT Bottom (will include side entries as well)
		20S <sup>4</sup>	Two M20X 1,5 Side (Standard with IEC)			
		20B <sup>4</sup>	Two M20X 1,5 Bottom (will include side entries as well)			

**Notes:**

- 120 Volt power supply is magnetic and dimmable using standard incandescent dimming controls when ordered with IDIM option.
- MVOLT = 120-277 electronic power supply, non-dimmable.
- Meets ADA requirements for coefficient of friction.
- Only for use in 50HZ applications.

**ELECTRICAL LOAD**

Light Engines	Drive Current (mA)	System Watts	Current (A)				
			120	208	240	277	347
9 LED	500	10	0.083	0.048	0.042	0.036	0.029



TKO optic kit includes a 5°, 10° and 15° tilt filters and a 5° axial spread filter.  
TKO kits are standard on PDX4 LED fixtures and include a mounting ring.

**PROJECTED LED LUMEN MAINTENANCE**

Data references the extrapolated performance projections for the Fixture platform in a 25°C ambient, based on 8400 hours of LED testing (tested per IESNA LM-80-08 and projected per IESNA TM-21-11).

To calculate LLF, use the lumen maintenance factor that corresponds to the desired number of operating hours below. For other lumen maintenance values, contact factory.

Operating Hours	0	25,000	50,000	100,000
Lumen Maintenance Factor	1.00	0.98	0.97	0.95

**LUMEN AMBIENT TEMPERATURE (LAT) MULTIPLIERS**

Use these factors to determine relative lumen output for average ambient temperatures from 0-40°C (32-104°F).

Ambient	Lumen Multiplier	
0°C	32°F	1.02
10°C	50°F	1.01
20°C	68°F	1.00
25°C	77°F	1.00
30°C	86°F	0.99
40°C	104°F	0.98

**SLIP RESISTANCE AND LOAD RATING**

PDX4
<b>MAXIMUM LOAD RATING</b> Peak compression force of 2,048 lbs.
<b>LENS STATIC COEFFICIENT OF FRICTION</b> PDX4 Anti-Slip Lens (FLCAS): Dry = 0.78; Wet = 0.30 PDX4 Slip Resistant Lens (FLCSR): Dry = 0.68; Wet = 0.59

## PERFORMANCE DATA

### LUMEN OUTPUT

Lumen values are from photometric tests performed in accordance with IESNA LM-79-08. Data is considered to be representative of the configurations shown, within the tolerances allowed by Lighting Facts. Actual performance may differ as a result of end-user environment and application. Contact factory for performance data on any configurations not shown here.

	Distribution	Nema Type	Beam Angle (50%) H x V	Field Angle (10%) H x V	Watts	LPW	Delivered Lumens
3000K 80CRI	SP	3 x 3	13.3 x 13.3	38.4 x 38.4	10	27	276
	MFL	3 x 3	21.9 x 21.9	42.1 x 42.1	10	31	332
4000K 68CRI	SP	3 x 3	13.3 x 13.3	38.4 x 38.4	10	46	459
	MFL	3 x 3	21.9 x 21.9	42.1 x 42.1	10	52	554
5000K 68CRI	SP	3 x 3	13.3 x 13.3	38.4 x 38.4	10	46	459
	MFL	3 x 3	21.9 x 21.9	42.1 x 42.1	10	52	554

OPERATING TEMPERATURE: -30°C Through 40°C

## SPECIFICATIONS AND FEATURES

**CONSTRUCTION:** Door material - die cast bronze or stainless steel. Housing - die cast bronze and injection molded thermoplastic. The housing is U.V. stabilized, impact and corrosion resistant for use in all types of environments. Conduit entries - two 1/2" NPT side entries standard, two 1/2" bottom entries are optional.

**SOURCE:** LED: Monochromatic LED, 9W. All within 3MacAdam ellipses

**VOLTAGE:** MVOLT (120-277) or 120 for dimming

**LEVEL DISTRIBUTION:** SP (Spot) or MFL (Medium Flood)

**LENS/SEAL:** Tempered clear flat borosilicate glass. The patent pending door / lens seal uses proprietary knife edge technology to secure the assembly to the housing. Two captive screws hold the assembly in place. The lens is notched to provide maximum aperture opening.

**FIXTURE AIMING:** The Paradox™ Series uses optical aiming filters. The TKO kit consists of 4 filters: 5°, 10° and 15° tilt and 5° axial spread.

**ELECTRICAL:** Integrally mounted modular LED transformer, prewired for easy installation and maintenance. Junction box suitable for thru-branch wiring.

**FINISH:** Natural bronze or stainless steel with a brushed finish.

**LISTING:** cCSAus, suitable for wet locations, laboratory tests conducted by CSA to UL Standard UL-1598 and UL-8750.

**RATED:** IC, non-IC, ground mounted recessed.

### GOVERNMENT PROCUREMENT

BAA – Buy America(n) Act: Product qualifies as a domestic end product under the Buy American Act as implemented in the FAR and DFARS. Product also qualifies as manufactured in the United States under DOT Buy America regulations.

BABA – Build America Buy America: Product qualifies as produced in the United States under the definitions of the Build America, Buy America Act.

Please refer to [www.acuitybrands.com/resources/buy-american](http://www.acuitybrands.com/resources/buy-american) for additional information.

**WARRANTY:** 5-year limited warranty. This is the only warranty provided and no other statements in this specification sheet create any warranty of any kind. All other express and implied warranties are disclaimed. Complete warranty terms located at: [www.acuitybrands.com/support/warranty/terms-and-conditions](http://www.acuitybrands.com/support/warranty/terms-and-conditions)

**NOTE:** Actual performance may differ as a result of end-user environment and application. All values are design or typical values, measured under laboratory conditions at 25 °C. Specifications subject to change without notice.