



PARADOX 7

12W LED

7" Architectural In-Grade

HIGHLIGHTS

- Adjustable LED module for in-field aiming up to 15° tilt and 360° rotation
- Integral junction box for wire splicing
- Available with 0-10V low voltage dimming
- U.V. stabilized, impact and corrosion resistant housing
- Integral driver

5
YEAR
warranty



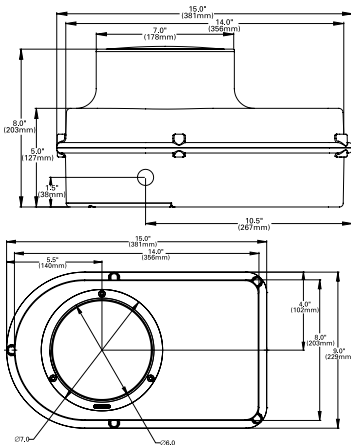
IP67



Specifications

Length:	15"
	381 mm
Width:	9"
	229 mm
Height:	8"
	203 mm
Weight:	9lbs

DIMENSIONS



LUMEN PACKAGES

	NSP	MFL	FL	WFL	HSP	HFL	VWFL
Delivered Lumens	1200	1200	900	1100	1200	1100	700
Watts	14	14	14	14	14	14	14
LPW	86	86	64	79	86	79	54

Note: Based on 41K

ORDERING INFORMATION
EXAMPLE: PDX7 B 12LED WHT53K MVOLT NSP FLC 34S IHL

Model*	Material*	LED Array*	LED Color*	Voltage*	Light Distribution*	Lens*			
PDX7	SS	Stainless Steel	12LED	MVOLT (120-277 Volt 50/60HZ)	NSP Narrow Spot	FLC Flat Lens Clear			
	BSS	Brushed Stainless Steel	WHT41K				3000K CCT	MFL	FLCAS
	B	Bronze	WHT53K				4100K CCT	FL	FLCSR ²
			AMBPC				5300K CCT	WFL	
			Phosphor Converted Amber	VWFL ¹	Very Wide Flood (no optics)				
			BLU	Blue	HSP	Horizontal Spot			
			GRN	Green	HFL	Horizontal Flood			
			RED	Red					

Conduit Entries*	Accessories	Options	Listing
34S	Two 3/4" NPT Side (Standard)	LDIM	IEC ³ International Electrotechnical Commission
25S ³	Two 25mm Side		
	Internal		
	IHL	Honeycomb Louver	
	FRF	Frosted Filter	

- Notes:
- FRF filter needed with VWFL.
 - Meets ADA requirements for coefficient of friction.
 - Only for use in 50HZ applications.

ELECTRICAL LOAD

Light Engines	Drive Current (mA)	System Watts	Current (A)					
			120	208	240	277	347	480
12 LED	350	14	0.117	0.067	0.058	0.051	0.040	0.029

PROJECTED LED LUMEN MAINTENANCE

Data references the extrapolated performance projections for the Fixture platform in a 25°C ambient, based on 8400 hours of LED testing (tested per IESNA LM-80-08 and projected per IESNA TM-21-11).

To calculate LLF, use the lumen maintenance factor that corresponds to the desired number of operating hours below. For other lumen maintenance values, contact factory.

Operating Hours	0	25,000	50,000	100,000
Lumen Maintenance Factor	1.00	0.99	0.98	0.95

LUMEN AMBIENT TEMPERATURE (LAT) MULTIPLIERS

Use these factors to determine relative lumen output for average ambient temperatures from 0-40°C (32-104°F).

Ambient	Lumen Multiplier	
0°C	32°F	1.02
10°C	50°F	1.01
20°C	68°F	1.00
25°C	77°F	1.00
30°C	86°F	0.99
40°C	104°F	0.98

SLIP RESISTANCE AND LOAD RATING

PDX7
MAXIMUM LOAD RATING Peak compression force of 2,847 lbs.
LENS STATIC COEFFICIENT OF FRICTION PDX7 Anti-Slip Lens (FLCAS): Dry = 0.76; Wet = 0.20 PDX7 Slip Resistant Lens (FLCSR): Dry = 0.84; Wet = 0.65

PERFORMANCE DATA

LUMEN OUTPUT

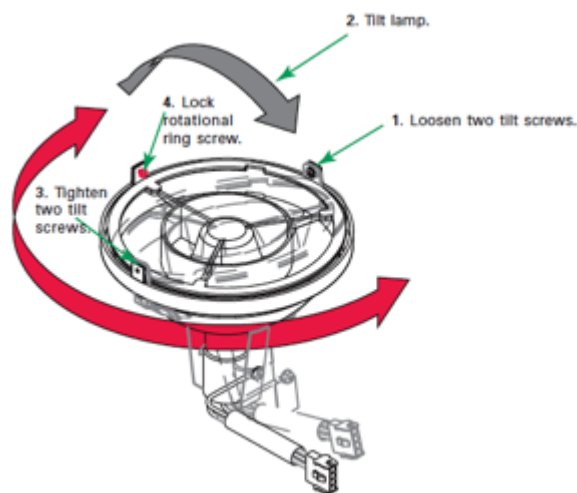
Lumen values are from photometric tests performed in accordance with IESNA LM-79-08. Data is considered to be representative of the configurations shown, within the tolerances allowed by Lighting Facts. Actual performance may differ as a result of end-user environment and application. Contact factory for performance data on any configurations not shown here.

	Distribution	Nema Type	Beam Angle (50%) H x V	Field Angle (10%) H x V	Watts	LPW	Delivered Lumens
3000K 80CRI	NSP	2 x 2	14.7 x 14.7	28 x 28	14	50	700
	MFL	3 x 3	24.4 x 24.4	44 x 44	14	50	700
	FL	6 x 6	74.5 x 70.8	104.2 x 102.1	14	36	500
	WFL	6 x 6	102.5 x 100.4	129.6 x 129.1	14	43	600
	HSP	3 x 3	21.6 x 21.6	39.9 x 39.9	14	50	700
	HFL	4 x 3	39.3 x 15.7	59.6 x 29.9	14	43	600
	VWFL	6 x 6	89.3 x 85.1	129.4 x 128.2	13	31	400
4100K 70CRI	NSP	2 x 2	14.7 x 14.7	28 x 28	14	86	1,200
	MFL	3 x 3	24.4 x 24.4	44 x 44	14	86	1,200
	FL	6 x 6	74.5 x 70.8	104.2 x 102.1	14	64	900
	WFL	6 x 6	102.5 x 100.4	129.6 x 129.1	14	79	1,100
	HSP	3 x 3	21.6 x 21.6	39.9 x 39.9	14	86	1,200
	HFL	4 x 3	39.3 x 15.7	59.6 x 29.9	14	79	1,100
	VWFL	6 x 6	89.3 x 85.1	129.4 x 128.2	13	54	700
5300K 70CRI	NSP	2 x 2	14.7 x 14.7	28 x 28	14	86	1,200
	MFL	3 x 3	24.4 x 24.4	44 x 44	14	86	1,200
	FL	6 x 6	74.5 x 70.8	104.2 x 102.1	14	64	900
	WFL	6 x 6	102.5 x 100.4	129.6 x 129.1	14	79	1,100
	HSP	3 x 3	21.6 x 21.6	39.9 x 39.9	14	86	1,200
	HFL	4 x 3	39.3 x 15.7	59.6 x 29.9	14	79	1,100
	VWFL	6 x 6	89.3 x 85.1	129.4 x 128.2	13	54	700

LED LIFE: L70/60,000 hours

OPERATING TEMPERATURE: -30°C Through 40°C

LAMP ADJUSTMENT DETAIL



SPECIFICATIONS AND FEATURES

DOOR MATERIAL: Die cast bronze or stainless steel.

HOUSING: Compression molded polyester with patent pending internal direct access junction box for through-branch wiring. Internal junction box provides 44in³ volume to ensure proper seal during installation. The housing is U.V. stabilized, impact and corrosion resistant for use in all types of environments. The housing has a side-car configuration and houses the lamp and power module components as well as the lens/ door finishing section.

SOURCE TYPE: LED: White and monochromatic LEDs, 12W. All within 3 MacAdam ellipses

VOLTAGE: MVOLT

LIGHT DISTRIBUTION: See Ordering Guide. LED module has 15° of internal tilt and 360° of rotation.

LENS/SEAL: Tempered clear flat borosilicate glass. The patent pending door / lens seal uses proprietary knife edge technology to secure the assembly to the housing. Three captive screws hold the assembly in place. The lens is notched to provide maximum aperture opening.

CONDUIT ENTRIES: Two molded ¾" NPT side entries standard, bottom hubs are molded with a ¾" NPT membrane knockout.

ACCESSORIES: Internal glare control, anti-slip lenses available. See ordering guide for complete list of accessories.

POWER MODULE: Integrally mounted modular encapsulated LED driver.

FINISH: Natural bronze or stainless steel with a brushed finish. Bronze doors may be painted. Contact factory for color options.

LISTING: cCSAus, suitable for wet locations, laboratory tests conducted by CSA to UL Standard UL-1598 and UL-8750.

BUY AMERICAN ACT: This product is assembled in the USA and meets the Buy America(n) government procurement requirements under FAR, DFARS and DOT regulations. Please refer to www.acuitybrands.com/resources/buy-american for additional information.

WARRANTY: 5-year limited warranty. This is the only warranty provided and no other statements in this specification sheet create any warranty of any kind. All other express and implied warranties are disclaimed. Complete warranty terms located at: www.acuitybrands.com/support/warranty/terms-and-conditions

Consult factory for details.

NOTE: Actual performance may differ as a result of end-user environment and application. All values are design or typical values, measured under laboratory conditions at 25 °C. Specifications subject to change without notice.