

# 4426 SERIES

## Base Mount

### White LED Fountain

#### HIGHLIGHTS

- Up to 10,985 lumens
- Cast bronze construction including fixture housing, rock guard and base
- Integral yoke allows for fixture aiming
- CCTs: 27K, 30K, 41K, 53K, Blue, Green, Red & Phosphor converted Amber
- IDIM- In-Line dimming available
- Wet or dry option available

**5**  
YEAR  
warranty



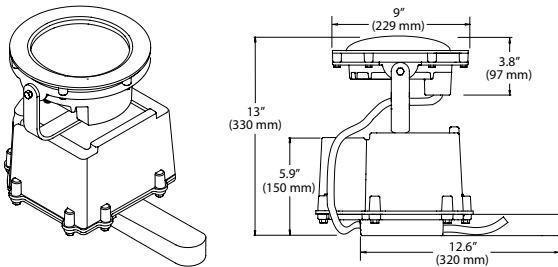
IP68



#### Specifications

Length:	15-1/2"
	394 mm
Width:	7"
	178 mm
Height:	5-7/8"
	149 mm
Weight:	30lbs

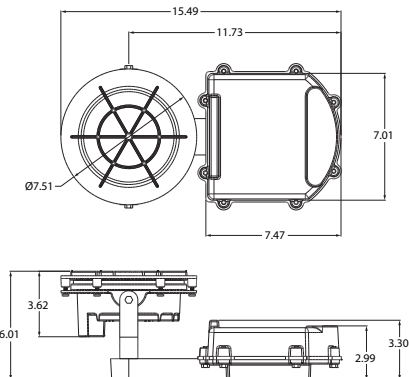
#### DIMENSIONS



VBM - VERTICAL BASE MOUNT

#### LUMEN PACKAGES

	NSP	MFL	FL	WFL	VWEL	HSP	HFL
Watts	88	88	88	88	88	88	88
Delivered Lumens	9265	10,780	7980	8715	7730	9345	10,985
LPW	105	123	91	99	88	106	125
Peak Candela	147,374	34,717	6,896	4,168	3,893	48,428	48,425



BM - BASE MOUNT

Note: (2) 0.28 mounting holes on the bottom casting for fixture securement using 1/4-20 bolts (by others)

**ORDERING INFORMATION**

EXAMPLE: 4426 B 18LED WHT53K 120 NSP FLC BM CSL50

Model	Material	Lamp type	LED Color	Voltage	Distribution
4426	<b>B</b> Bronze	<b>18LED</b> 44 Watts	<b>WHT27K</b> 2700K white	120	<b>NSP</b> Narrow Spot
	<b>SWB</b> Saltwater Bronze	<b>36LED</b> 88 Watts <small>Note: 36LED option does not include rock guard Note: Wet or Dry option is only available with 18LED</small>	<b>WHT30K</b> 3000K <b>WHT41K</b> 4100K <b>WHT53K</b> 5300K <b>AMBPC</b> Phosphor Converted Amber <b>BLU</b> Blue <b>GRN</b> Green <b>RED</b> Red		<b>MFL</b> Medium Flood <b>FL</b> Flood <b>WFL</b> Wide Flood <b>VWFL</b> Very Wide Flood (no optics) <b>HSP</b> Horizontal Spot <b>HFL</b> Horizontal Flood

Lens	Mounting	Options	Cord Set Length	Listing
<b>FLC</b> Flat Lens Clear	<b>BM</b> Base Mount <b>VBM</b> Vertical Base Mount	<b>IDIM<sup>1</sup></b> In-line Dimming (dims to 40%)	<b>CSL__</b> 10'-120' of cord available in 5' increments	<b>CSA</b> Optional Canadian listing (for sale in Canada only) <b>WD</b> Wet or Dry Application <small>Note: WD is only available with 18LED</small>

Notes:  
<sup>1</sup> IDIM for use with leading edge (TRIAC) or trailing edge (ELV) dimmers. IDIM option should be run at 120 volt.

**ELECTRICAL LOAD**

Light Engines	Drive Current (mA)	System Watts	Current (A)
18LED	700mA	44W	0.40
36LED	700mA	88W	0.72

**LUMEN AMBIENT TEMPERATURE (LAT) MULTIPLIERS**

Use these factors to determine relative lumen output for average ambient temperatures from 0-40°C (32-104°F).

Ambient	Lumen Multiplier
0°C	1.02
10°C	1.01
20°C	1.00
25°C	1.00
30°C	0.99
40°C	0.98

**PROJECTED LED LUMEN MAINTENANCE**

Data references the extrapolated performance projections for the Fixture platform in a 25°C ambient, based on 10,000 hours of LED testing (tested per IESNA LM-80-08 and projected per IESNA TM-21-11).

To calculate LLF, use the lumen maintenance factor that corresponds to the desired number of operating hours below. For other lumen maintenance values, contact factory.

Operating Hours	0	25,000	50,000	100,000
Lumen Maintenance Factor	18LED			
	1.00	0.99	0.98	0.96
Lumen Maintenance Factor	36LED			
	1.00	0.90	0.80	0.65

## PERFORMANCE DATA

### LUMEN OUTPUT

Lumen values are from photometric tests performed in accordance with IESNA LM-79-08. Data is considered to be representative of the configurations shown, within the tolerances allowed by Lighting Facts. Actual performance may differ as a result of end-user environment and application. Contact factory for performance data on any configurations not shown here.

Performance Package	System Watts	Distribution Type	Field Angle		Beam Angle (50%)		WHT30K (3000 CCT, 70CRI)			WHT41K (4100 CCT, 70CRI)			WHT53K (5300 CCT, 70CRI)		
			°H	°V	°H	°V	Max Cd	Lumens	LPW	Max Cd	Lumens	LPW	Max Cd	Lumens	LPW
18LED	44W	NSP	23	23	11	11	44210	2780	63	73687	4630	105	73687	4630	105
		MFL	44	44	24	24	10416	3235	74	17358	5390	123	17358	5390	123
		FL	80	81	62	66	2068	2395	54	3448	3990	91	3448	3990	91
		WFL	126	125	101	94	1250	2615	59	2084	4360	99	2084	4360	99
		VWFL	137	132	95	88	1168	2320	53	1947	3865	88	1947	3865	88
		HSP	58	27	38	13	14529	2805	64	24214	4675	106	24214	4675	106
		HFL	62	31	41	16	14528	3295	75	24212	5495	125	24212	5495	125
36LED	88W	NSP	23	23	11	11	88425	5560	63	147374	9265	105	147374	9265	105
		MFL	44	44	24	24	20830	6470	74	34717	10780	123	34717	10780	123
		FL	80	81	62	66	4137	4790	54	6896	7980	91	6896	7980	91
		WFL	126	125	101	94	2501	5230	59	4168	8715	99	4168	8715	99
		VWFL	137	132	95	88	2336	4640	53	3893	7730	88	3893	7730	88
		HSP	58	27	38	13	29054	5610	64	48428	9345	106	48428	9345	106
		HFL	62	31	41	16	29055	6590	75	48425	10985	125	48425	10985	125

## SPECIFICATIONS AND FEATURES

**FIXTURE HOUSING, ROCK GUARD AND BASE:** Heavy wall cast bronze construction. Natural bronze finish. Note: (2) 0.28 mounting holes on the bottom casting for fixture securement using 1/4-20 bolts (by others).

**LED:** 18LED 44-watt or 36LED 86-watt LED array available in 3000K CCT, 4100K CCT or 5300K CCT white or monochromatic amber, red, blue or green (LED board included). All within 3 MacAdam ellipses.

**VOLTAGE:** 120 Volt AC 50/60Hz.

**LENS:** Clear Flat Tempered Borosilicate.

**GASKET:** Single piece molded U-shaped silicone gasket.

**CORD:** Minimum of 10' of #16/3ST submersible rated power cord for standard 120VAC line, 14/3 submersible rated power cord for CSA. Cord entrance is epoxy encapsulated. Cord length must be specified.

**FACTORY LEAK TESTED:** Fixtures are tested at 10 PSI (0.70kg/cm<sup>2</sup>) internal pressure while totally submerged in water.

**FASTENERS:** Stainless Steel.

### GOVERNMENT PROCUREMENT

BAA – Buy America(n) Act: Product qualifies as a domestic end product under the Buy American Act as implemented in the FAR and DFARS. Product also qualifies as manufactured in the United States under DOT Buy America regulations.

BABA – Build America Buy America: Product qualifies as produced in the United States under the definitions of the Build America, Buy America Act. Please refer to [www.acuitybrands.com/resources/buy-american](http://www.acuitybrands.com/resources/buy-american) for additional information.

**LISTING:** cCSAus, submersible luminaire suitable for fountains, laboratory tests conducted by CSA to UL Standard UL-676 and UL-8750. Wet or Dry available with 18LED

**US PATENT:** 7,680,816

**WARRANTY:** 5-year limited warranty. This is the only warranty provided and no other statements in this specification sheet create any warranty of any kind. All other express and implied warranties are disclaimed. Complete warranty terms located at: [www.acuitybrands.com/support/warranty/terms-and-conditions](http://www.acuitybrands.com/support/warranty/terms-and-conditions)

**NOTE:** Actual performance may differ as a result of end-user environment and application. All values are design or typical values, measured under laboratory conditions at 25 °C. Specifications subject to change without notice.