



4426 SERIES

LED Base Mount

Fountain DMX, Color Changing

HIGHLIGHTS

- RDM capable for in-field fixture discovery
- Cast bronze construction including fixture housing, rock guard and base
- Integral yoke allows for fixture aiming
- Available in RGBW as custom
- Wet or dry option available

5
YEAR
warranty



IP68



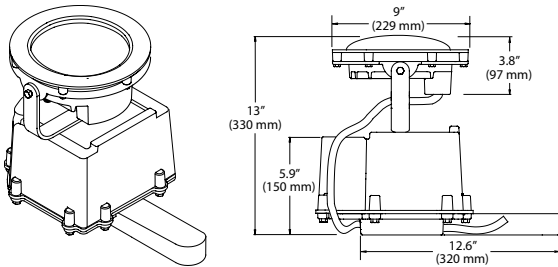
BAA

BABA

Specifications

Length:	15-1/2" 394 mm
Width:	7" 178 mm
Height:	5-7/8" 149 mm
Weight:	36lbs

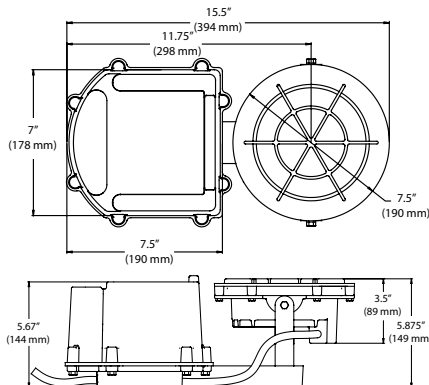
DIMENSIONS



VBM - VERTICAL BASE MOUNT

LUMEN PACKAGES

	NSP	MFL	FL	WFL	HSP	HFL
Watts	29	29	29	29	29	29
Delivered Lumens	810	845	775	498	880	933
LPW	28	29	27	17	30	32
Peak Candela	147,374	34,717	6,896	4,168	3,893	48,428



BM - BASE MOUNT

Note: (2) 0.28 mounting holes on the bottom casting for fixture securement using 1/4-20 bolts (by others)

ORDERING INFORMATION

EXAMPLE: 4426 B 18LED RGB 120 NSP FLC BM RDM CSL50

Model	Material	Lamp type	LED Color	Voltage	Distribution
4426	B Bronze	18LED 29 Watts	RGB Mixing	120	NSP Narrow Spot MFL Medium Flood FL Flood WFL Wide Flood VWFL Very Wide Flood (no optics) HSP Horizontal Spot HFL Horizontal Flood
	SWB Saltwater Bronze	36LED 57 Watts			
		Note: 18LED is suitable for US and Canadian market 36LED is suitable for US market Note: 36LED option does not include rock guard			
Lens	Mounting	Control	Cord Set Length	Optional Listing	
FLC Flat Lens Clear	BM Base Mount VBM Vertical Base Mount	RDM ¹ Remote device management	CSL__ 10'-120' of cord available in 5' increments	CSA Optional Canadian listing (for sale in Canada only) WD Wet or Dry Application	

Notes:
 1. RDM = Field discoverable and field programmable DMX.

ELECTRICAL LOAD

Light Engines	Drive Current (mA)	System Watts	Current (A)
18LED	750mA	29W	0.39

PERFORMANCE DATA

LUMEN OUTPUT

Lumen values are from photometric tests performed in accordance with IESNA LM-79-08. Data is considered to be representative of the configurations shown, within the tolerances allowed by Lighting Facts. Actual performance may differ as a result of end-user environment and application. Contact factory for performance data on any configurations not shown here.

Photometric data for underwater lighting is based on the theoretical output of a dry fixture. The final output of a fixture placed in water is determined by the depth that the fixture is placed, the clarity and turbulence of the water and the color of the surrounding concrete and/or tile.

	Distribution	NEMA TYPE	Beam Angle (50%) H x V	Field Angle (10%) H x V	Watts	LPW	Delivered Lumens
All colors full on	NSP	2 x 2	14.8 x 14.8	27.1 x 27.1	29	28	810
	MFL	6 x 6	35.7 x 35.7	109 x 109	29	29	845
	FL	5 x 5	75.8 x 56.2	95.7 x 83.4	29	27	775
	WFL	7 x 7	114.2 x 114.2	136.1 x 136.1	29	17	498
	HSP	3 x 3	20.8 x 20.8	38.9 x 38.9	29	30	880
	HFL	4 x 3	40.5 x 15.6	60.8 x 30.4	29	32	933

RECOMMENDED CONTROLLERS

Easyl DMX touchscreen

<http://www.acuitybrands.com/products/detail/210270/Fresco/Easyl/Easyl-DMX512A-Show-Controller>



Easyl™ Solo: Is a standalone entry-level controller enabling show creation and playback directly at the LCD touchscreen.

Easyl™ Touch: features an astronomic time clock for automating shows and expands the controller's features by accepting inputs from remote button stations, and button station contact closure inputs.

Easyl™ Pro: is further enhanced by using Easyl Studio™ computer software to create multi-zone shows, and Easyl Pro features a 20 hour DMX512 capture from a theatrical console.

Fresco

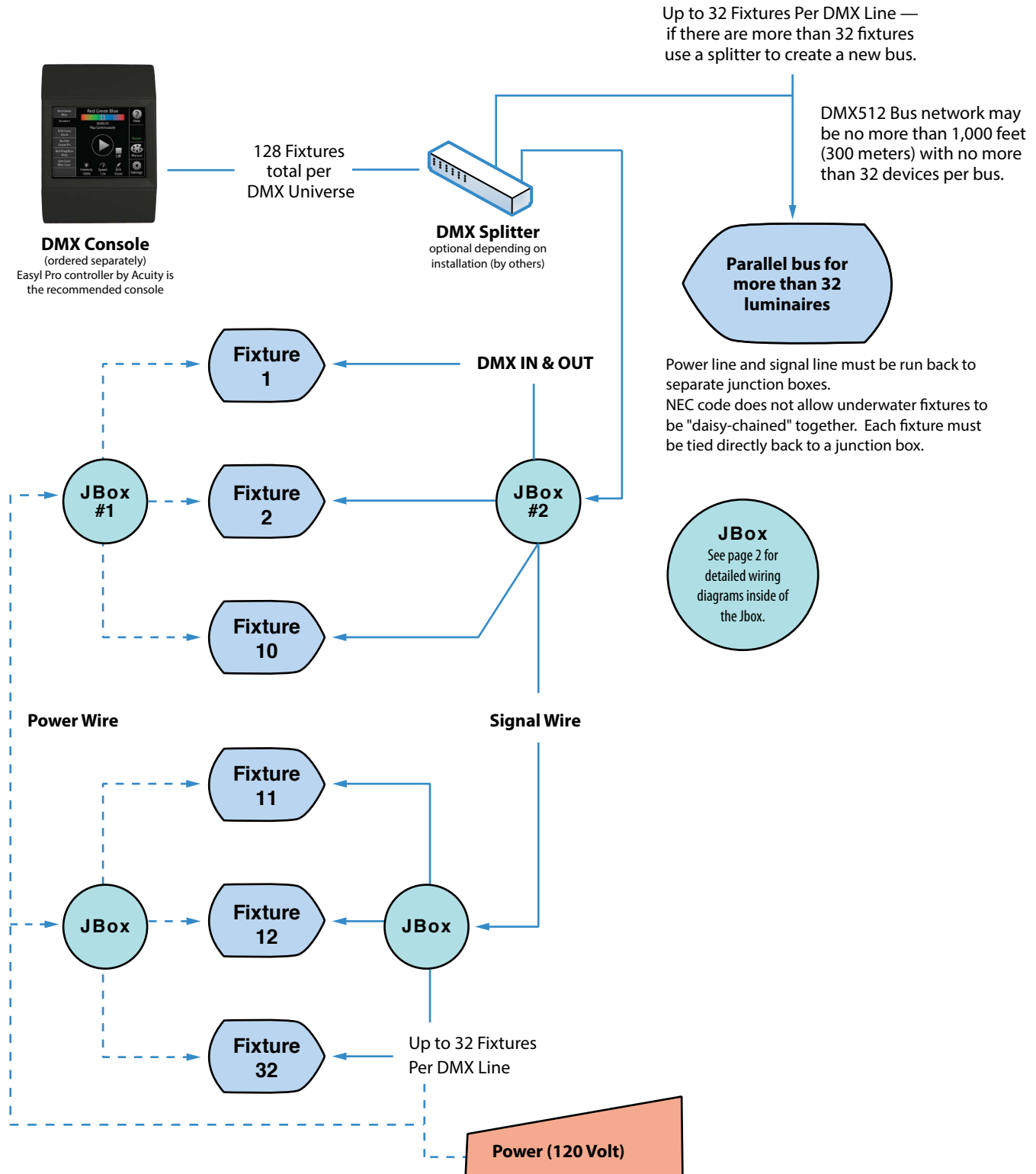
<http://www.acuitybrands.com/products/detail/223381/Fresco/Fresco/Touchscreen-Lighting-Controllers>



FCS

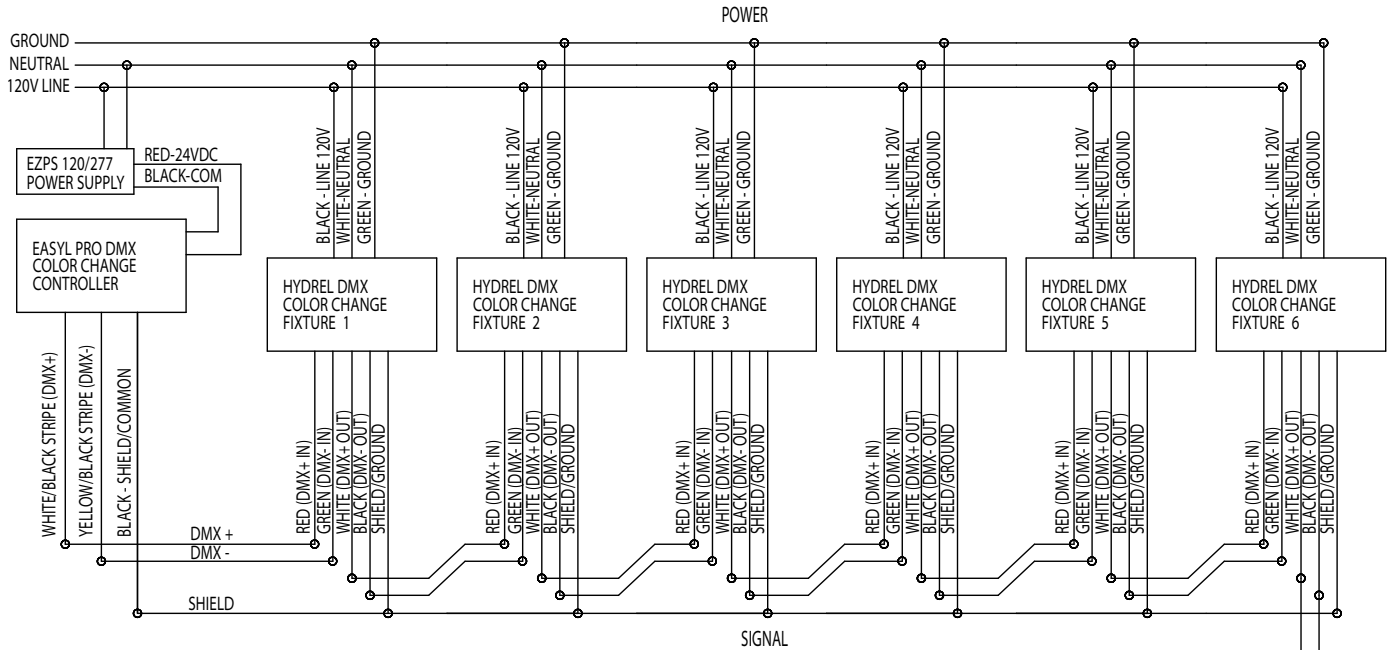
- Create and edit 36 lighting scenes including intensity, color, and color temperature
- Integral astronomic timeclock with battery backup for system scheduling
- Direct DMX control for 1 universe (512 slots)
- Internal Bluetooth® radio for wireless App control

DMX WIRING - UNDERWATER



- Notes:
1. DMX512 must be terminated by a 120 ohm resistor.
 2. J-boxes for swimming pools must be 18" above the pool deck. J-boxes for fountains can be in the water or above the water line.
 3. Signal cable by others, cable must be two-pair with a maximum capacitance of 12.8 pF/ft. and a impedance of 120 ohm.

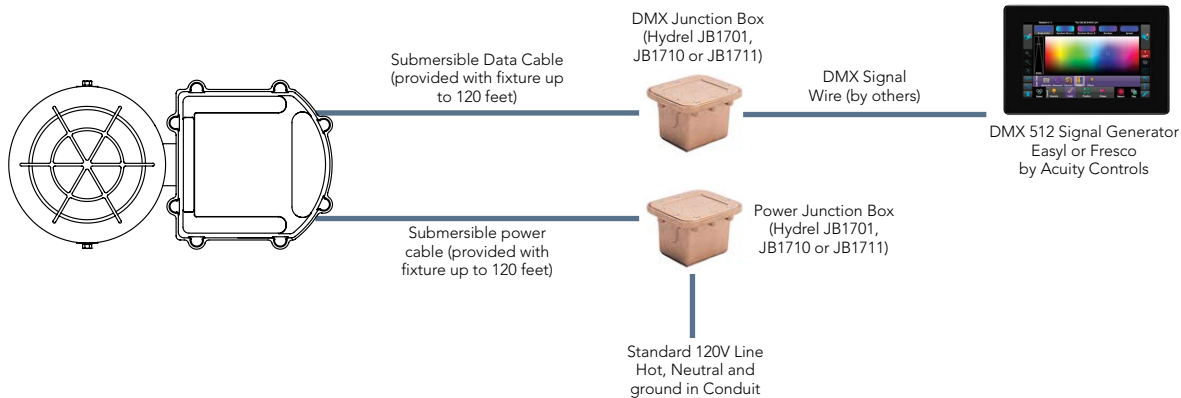
DMX CONNECTION AND TERMINATION - WIRING DIAGRAM



All devices connecting to the network must be wired in a series (in and out) on the signal side. T taps or branches in the network are not permitted.

120 OHM
TERMINATING
RESISTOR
by others or can
be purchased
separately, use ci
code *2845VY
Hydrel 120OHM
TERMINATOR
RESISTOR

FOUNTAIN & SWIMMING POOL LAYOUT



UNDERWATER ACCESSORIES



PC21 (35 cubic inches) or PC2112 (20 cubic inches) re-enterable potting compound. See Hydrel web site for more details: <http://hydrel.acuitybrands.com/products/detail/88016/hydrel/pc21/underwater-accessory>
Potting compound is recommended for all underwater junction boxes, Hydrel's potting compound meets NEC requirements for potting.



Cord Seals - One per data cable and one per power cable. See Hydrel web site for more details on available sizes and part numbers: <http://hydrel.acuitybrands.com/products/detail/88012/hydrel/cord-seals/underwater-accessory>

SPECIFICATIONS AND FEATURES

FIXTURE HOUSING, ROCK GUARD AND BASE: Standard Bronze: Heavy wall cast bronze construction. SW/B - Navy "M" Bronze #UNS C92200. Natural cast bronze finish. Note: (2) 0.28 mounting holes on the bottom casting for fixture securement using 1/4-20 bolts (by others).

LED: 18LED 44 Watt RGB array. (LED board included)

VOLTAGE: 120 Volt AC 50/60Hz.

LENS: Clear Flat Tempered Borosilicate.

CONTROL: DMX512. Color control is achieved through standard DMX512 hardware, at a maximum of 44 frames per second. All channels have logarithmic power for finer color and intensity control. Compatible with the Easyl and Fresco controllers from Acuity. Controllers must be ordered separately.

ELECTRICAL: Integral ELDO RGB power drive, 120 volt, 50/60HZ LED power supply, dims to zero. THD < 20%, class 2 driver with 100% to 0% dimming.

GASKET: Single piece molded U-shaped silicone gasket.c)

CORD: Minimum of 10' of #16/3ST submersible rated power cord for standard 120VAC line, 14/3 submersible rated power cord for CSA. Minimum of 10' of submersible rated 18 gauge data cord for DMX512 signal. Cord entrance is epoxy encapsulated. Cord length must be specified.

FACTORY LEAK TESTED: Fixtures are tested at 10 PSI (0.70kg/cm²) internal pressure while totally submerged in water.

FASTENERS: Stainless Steel.

GOVERNMENT PROCUREMENT

BAA – Buy America(n) Act: Product qualifies as a domestic end product under the Buy American Act as implemented in the FAR and DFARS. Product also qualifies as manufactured in the United States under DOT Buy America regulations.

BABA – Build America Buy America: Product qualifies as produced in the United States under the definitions of the Build America, Buy America Act.
Please refer to www.acuitybrands.com/resources/buy-american for additional information.

LISTING: cCSAus 18LED is suitable for US and Canadian Market CSAus 36LED is suitable for US Market, submersible luminaire suitable for fountains, laboratory tests conducted by CSA to UL Standard UL-676 and UL-8750. Wet or Dry application available

US PATENT: 7,680,816

WARRANTY: 5-year limited warranty. This is the only warranty provided and no other statements in this specification sheet create any warranty of any kind. All other express and implied warranties are disclaimed. Complete warranty terms located at: www.acuitybrands.com/support/customer-support/terms-and-conditions

Consult factory for details.

NOTE: Actual performance may differ as a result of end-user environment and application. All values are design or typical values, measured under laboratory conditions at 25 °C. Specifications subject to change without notice.