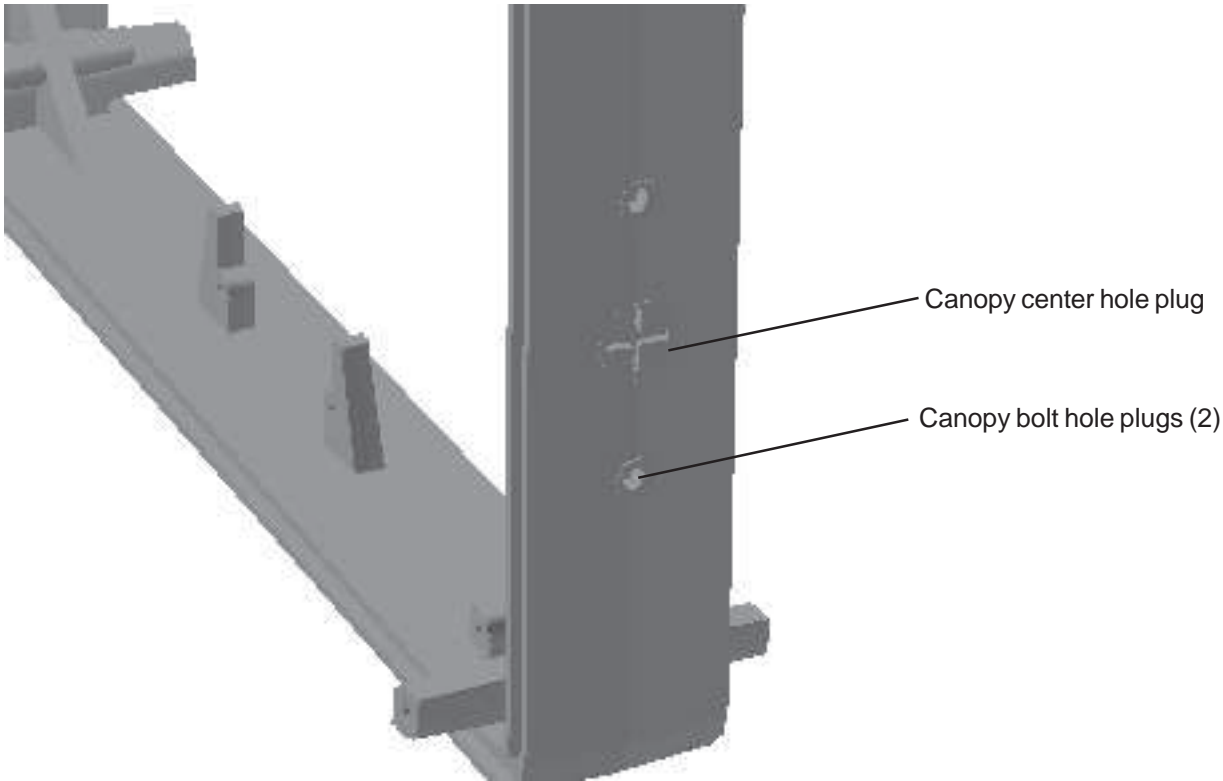


SUPPLEMENTAL INSTRUCTION

EXTREME® EXIT SIGNS

UNIVERSAL MOUNTING OPTION (UM)



CANOPY MOUNT EXIT (Single and Dual Face Exit Signs)

1. Select desired mounting configuration and remove canopy bolt hole plugs and center hole plug in housing side or top.

Note: For LVS units, lampboard may be rotated 180 degrees for correct side orientation.

2. Attach canopy and connect wiring according to Installation Instructions supplied with unit.
3. See Installation Instructions supplied with unit for all other installation, mounting and wiring instructions.

BACK MOUNT EXIT (Single Face only)

1. Remove (4) mounting hole plugs and center hole plug in housing back.

Note: For LVS units, lampboard may be rotated 180 degrees for correct side orientation.

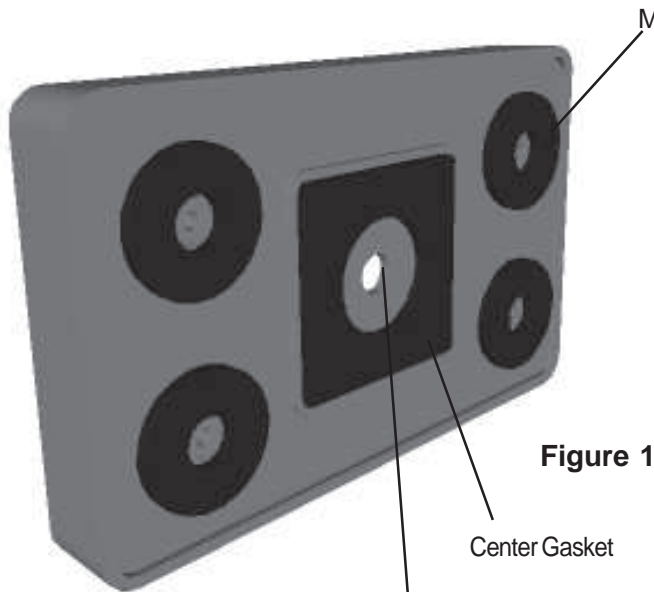
2. Attach exit sign and connect wiring according to Installation Instructions supplied with unit.
3. See Installation Instructions supplied with unit for all other installation, mounting and wiring instructions.

SUPPLEMENTAL INSTRUCTION

EXTREME® EXIT SIGNS

NEMA 4X EXIT

UNIVERSAL MOUNTING OPTION

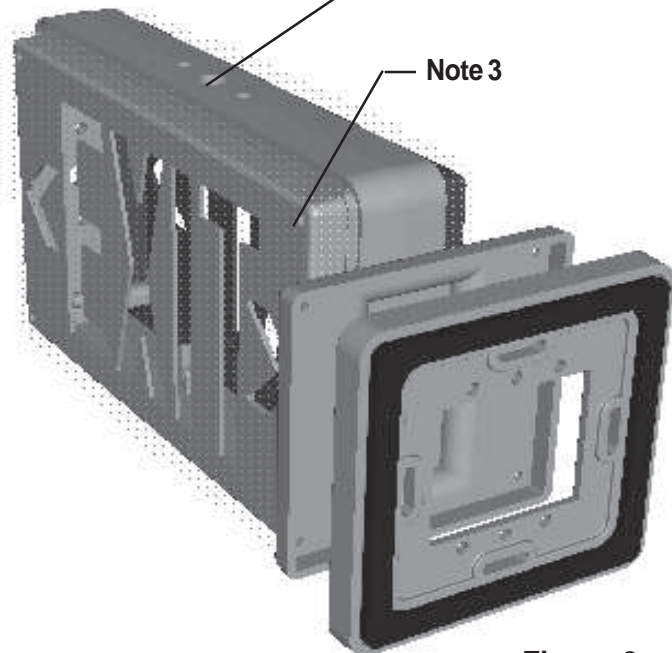


Mounting hole gaskets (4)

Figure 1

Center Gasket

Note 1



Note 3

Figure 2

BACK MOUNT EXIT (Single Face Exit Sign only)

1. Remove (4) mounting hole plugs and center hole plug in housing back.

Note: Unused center conduit plugs to be sealed with Teflon tape (6 wraps).

2. Attach (5) gaskets provided with unit as shown in Figure 1.
3. Lens screws to be tightened to 1.34 / 1.45 ft./lbs.
4. See Installation Instructions supplied with unit for all other installation, mounting and wiring instructions.

CANOPY MOUNT EXIT (Single and Dual Face Exit Sign)

1. Select desired mounting configuration and remove canopy bolt hole plugs and center hole plug in housing side or top.

Note: Unused center conduit plugs to be sealed with Teflon tape (6 wraps).

Note: For LVS units, lampboard may be rotated 180 degrees for correct side orientation.

2. Remove paper backing from gasket on canopy, align canopy holes to housing holes, and attach canopy using 1/4-20 bolts and nuts. Connect wiring according to Installation Instructions supplied with unit.
3. Lens screws to be tightened to 1.34 / 1.45 ft./lbs.
4. See Installation Instructions supplied with unit for all other installation, mounting and wiring instructions.