

FOR RECESSED EDGE-LIT LED EXIT SIGN

Standard and New York Approved Models
(Emergency, non-Emergency and X2 Dual Circuit operation)

READ AND FOLLOW ALL SAFETY INSTRUCTIONS

IMPORTANT SAFEGUARDS: When using electrical equipment, basic safety precautions should always be followed, including the following:

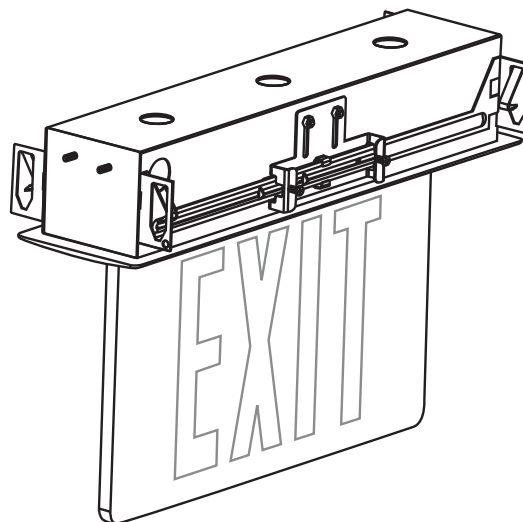
WARNING: FAILURE TO FOLLOW THESE INSTRUCTIONS AND WARNINGS MAY RESULT IN DEATH, SERIOUS INJURY OR SIGNIFICANT PROPERTY DAMAGE- For your protection, read and follow these warnings and instructions carefully before installing or maintaining this equipment. These instructions do not attempt to cover all installation and maintenance situations.

WARNING: RISK OF ELECTRIC SHOCK- NEVER CONNECT TO, DISCONNECT FROM, OR SERVICE WHILE EQUIPMENT IS ENERGIZED.

WARNING: RISK OF FIRE- Keep combustible material away from hot parts. Observe lamp manufacturer's warnings, recommendations and restrictions on lamp operation and maintenance. Make sure lamps are correctly installed.

WARNING: DO NOT USE ABRASIVE MATERIALS OR OTHER SOLVENTS. USE OF THESE SUBSTANCES MAY DAMAGE FIXTURE, WHICH MAY RESULT IN PERSONAL INJURY.

WARNING: RISK OF PERSONAL INJURY- This product may have sharp edges. Wear gloves to prevent cuts or abrasions when removing from carton, handling, installing and maintaining this product.



INSTALLATION INSTRUCTIONS

- Before wiring to power supply, turn off electricity at fuse or circuit breaker.
- Disconnect AC power and unplug battery before servicing (EL operation only).
- Consult your local building code for approved wiring and installation.
- UL Damp location listed standard. (0°C- 50°C)
- Do not let power supply cord touch hot surfaces .
- Do not mount near gas or electric heater.
- Do not install a damaged fixture.
- This product must be installed in accordance with the applicable installation codes and ordinances.
- All service shall be performed by qualified service personnel. This product must be installed and maintained in accordance with the applicable installation codes by a person familiar with the construction & operation of the product and the hazards involved.
- Equipment should be mounted in locations and at heights where it will not readily be subjected to tampering by unauthorized personnel.
- The use of accessory equipment not recommended by the manufacturer may cause an unsafe condition.
- Do not use this equipment for other than intended use.

INSTALLATION INSTRUCTIONS for Lithonia Lighting EDGR & EDGRNY Models

INSTALLATION

CAUTION: TURN OFF AC POWER TO CIRCUIT BEFORE BEGINNING INSTALLATION.

NEW INSTALLATION - Top mount (For optional restricted ceiling access, see page 5)

1. See Figure 1 before beginning installation.
2. Position metal housing and bar hangers between ceiling or wall joists. Make sure bar hangers are in the correct position to be mounted. Position metal housing temporarily by hammering nail-in tabs on bar hangers, then secure permanently with nails or screw. Bar hangers should be level with bottom of joists (Figure 2).
3. Adjust height of metal housing so that the bottom of the housing is just above the ceiling or wall (Figure 3).
4. Reference correct wiring diagram and make proper electrical connections at the J-box in the metal housing (Figures 4 & 5).

CAUTION: The unused lead must be insulated with the remaining provided wire nut or other approved method.

5. Determine directional Chevron requirements. Follow instructions on provided templates to apply the required Chev-ron(s) (Figure 6).
6. Attach safety chain to holes in trim plate assembly. Snap together the quick-connector harness to connect the LED board to the transformer.
7. Connect the battery (EL models) after continuous AC power can be provided to the unit.
8. Secure the trim plate assembly using the provided screws.

TESTING: In accordance with NFPA 101 (current life safety code), your emergency lighting system must be tested monthly for a minimum of 30 seconds and annually for 90 minutes. Refer to your local codes for any additional requirements that may apply.

OPERATION:

CAUTION: EL Operation: The battery in this unit may not be fully charged. After continuous AC power is connected to the unit, let battery charge for at least 24 hours, then normal operation of this unit should take effect.

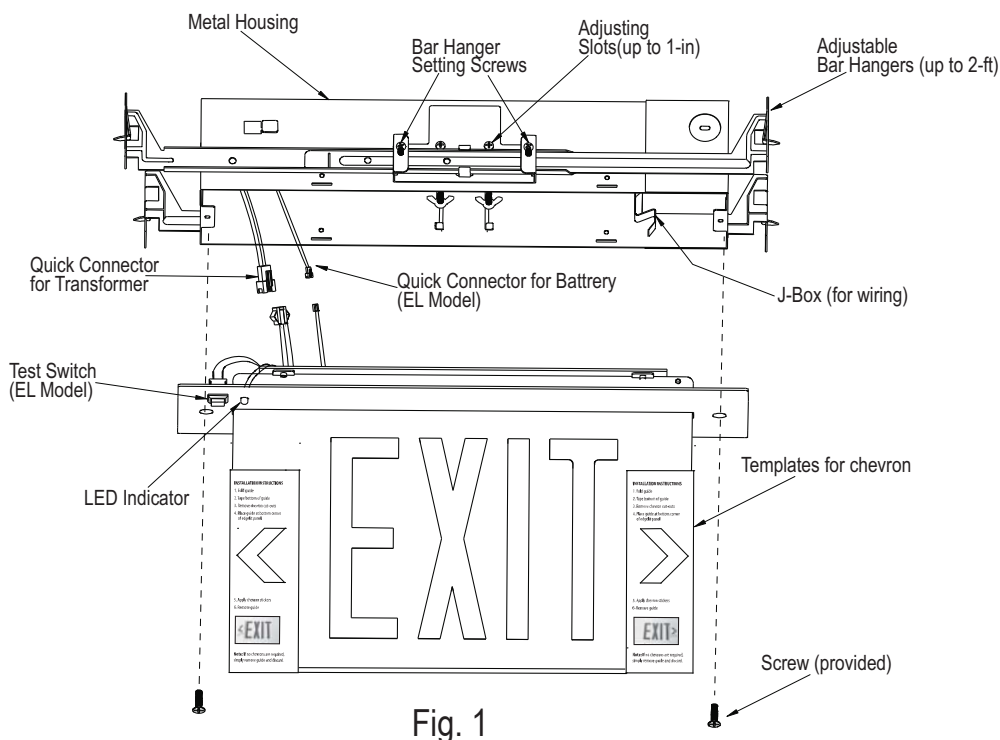
1. Apply AC power to the sign. The LED indicator should turn RED.
2. EL Operation: After the battery has been left to charge for 2 hours, test the sign by pushing the switch. The LED indicator turns OFF and the sign should remain ON.
3. When the switch is released, EXIT section remains ON and the LED indicator turns back to RED.

MAINTENANCE:

Caution: Always turn off AC power to the equipment before servicing. Servicing should be performed only by a qualified service technician. Use only MANUFACTURER supplied replacement parts.

1. BATTERY: The battery supplied in this equipment requires no maintenance. However, it should be tested periodically (see TESTING) and replaced when it no longer operates the connected fixtures for the duration of a 30-second or 90-minute test. The battery supplied in this equipment has a life expectancy of 5-7 years when used in a normal ambient temperature of 72°F.
2. OTHER: Clean exit panel with non-abrasive cloth and non-abrasive cleaner when required.

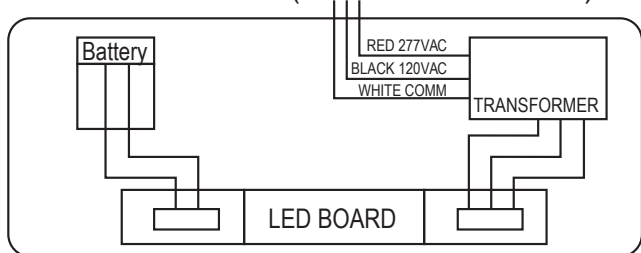
INSTALLATION INSTRUCTIONS for Lithonia Lighting EDGR & EDGRNY Models



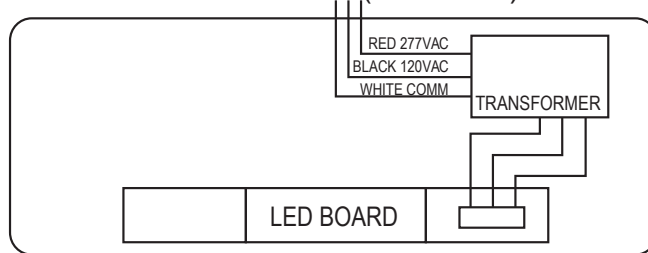
WIRING DIAGRAMS

Note: Unused input lead must be properly insulated with wire nut or other approved method.

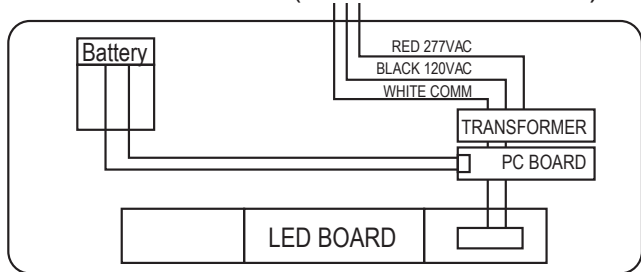
120 / 277 VOLT (BATTERY BACKUP)



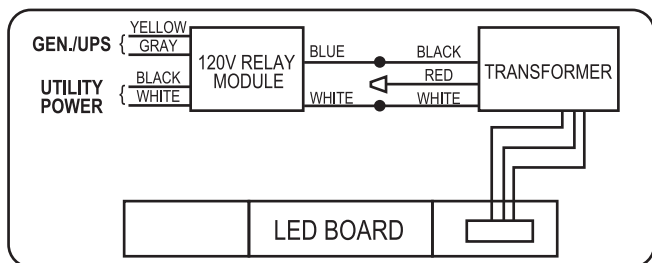
120 / 277 VOLT (AC ONLY)



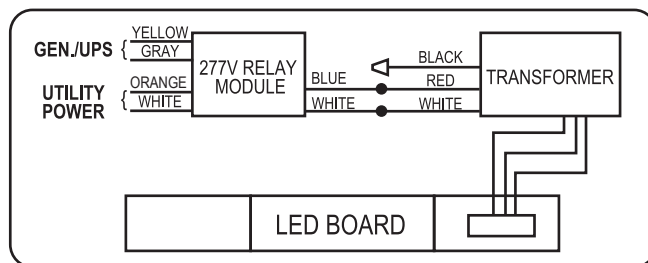
120 / 277 VOLT (SELF DIAGNOSTIC)



120 VOLT (DUAL CIRCUIT)

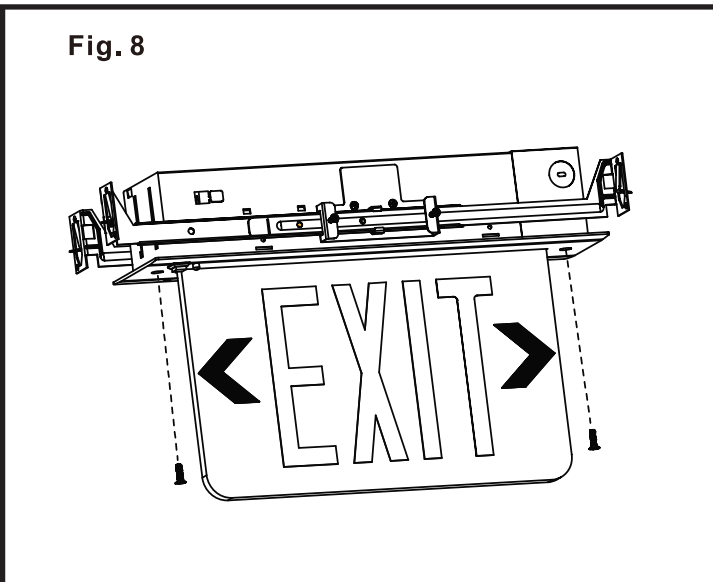
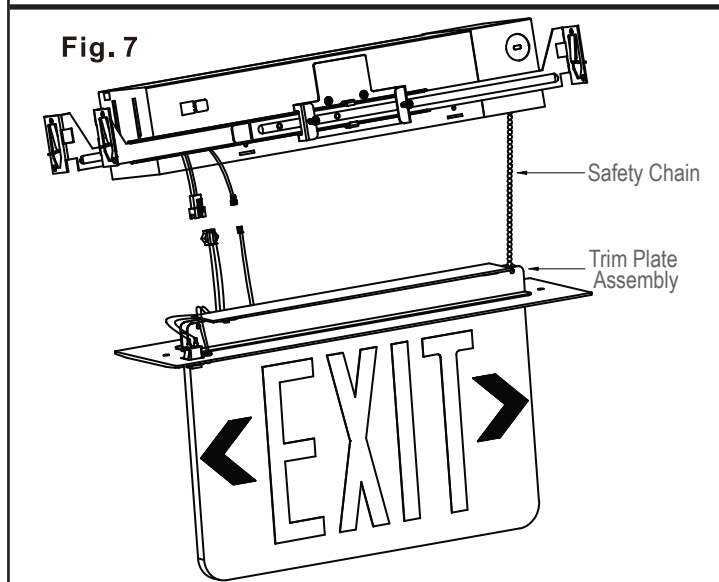
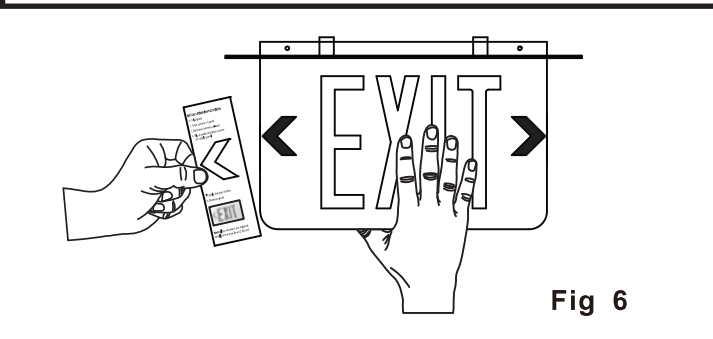
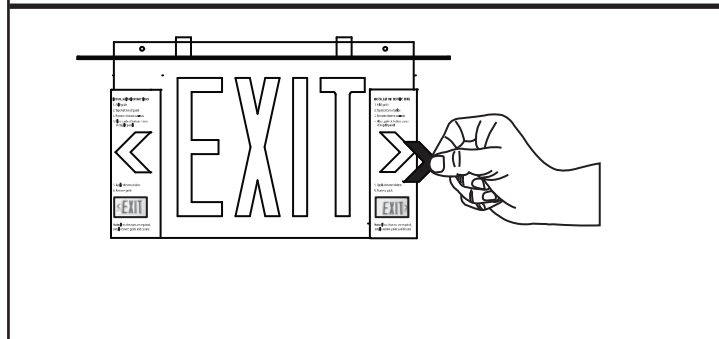
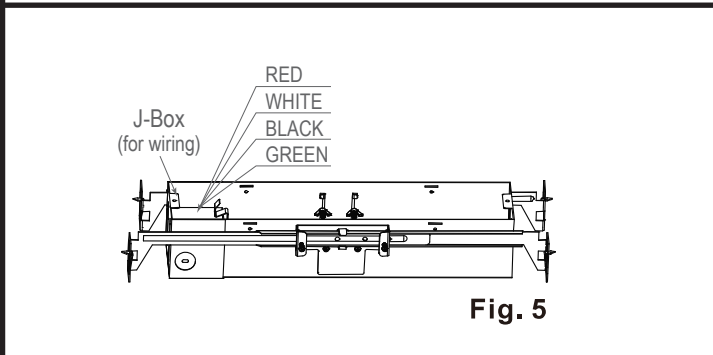
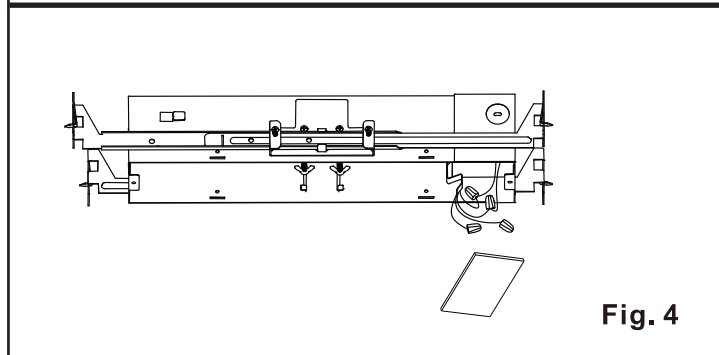
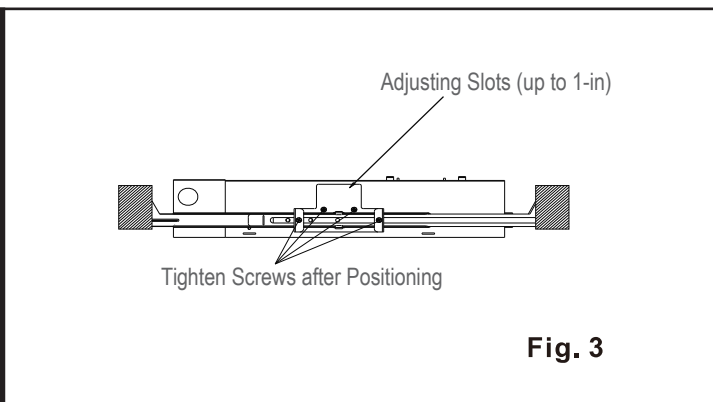
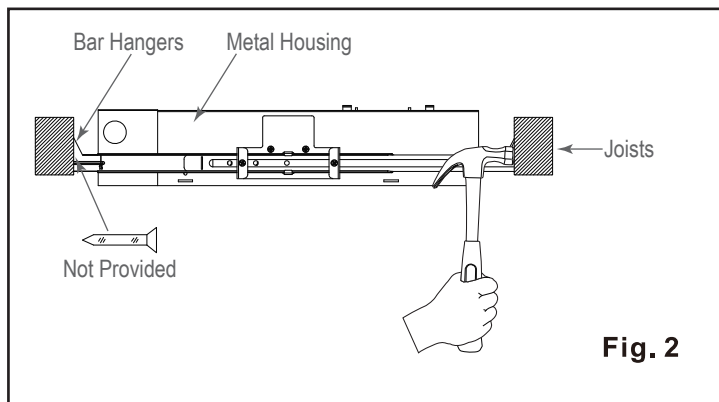


277 VOLT (DUAL CIRCUIT)



INSTALLATION INSTRUCTIONS for Lithonia Lighting EDGR & EDGRNY Models

CEILING & WALL MOUNT



INSTALLATION INSTRUCTIONS for Lithonia Lighting EDGR & EDGRNY Models

OPTIONAL REMODEL BRACKET-MOUNT INSTALLATION INSTRUCTIONS (Ceiling and Wall Mount)

NOTE: The unit comes with hardware (placed in a separate pouch) for drywall remodel installation. The pouch should contain a set of (4) metal brackets, (4) small screws, (4) nuts, (4) long screws, and (4) screw holders.

1. Remove all mounting hanger bars.
2. Slide the screw holders into the holes on the unit's housing as shown in Figure A.
3. Secure the screw holders with the small screws provided (refer to Figures B and C).
4. Position the metal brackets beneath the screw holders and inset the long screws (refer to Figure D). Tighten the screw until the head reaches the screw holder (refer to Figure E).

CAUTION: DO NOT TIGHTEN THE SCREWS TO THE POINT WHERE THE BRACKETS START TO EXPAND OUTWARD.

5. Cut a hole in the ceiling or wall using the provided template. Turn housing on the side and slide through the hole in the ceiling or wall.
6. Once the housing is inside the ceiling or wall, return back to original position and start tightening the long screws. At this point the brackets start to bow out (refer to Figure F).
7. Follow steps 4-8 from page 2 to finish.

RECESSED BOX SIDE HANGER BAR-MOUNTING INSTRUCTION

1. Knock-out the slot at the end of recessed box (refer to Figure H).
2. Un-tighten the Wing Nut and remove both of the Hanger Bars and washers (refer to Figure I).
3. Install the Hang Bar to the side of the recessed box and tighten up the Wing Nut with the washer (refer to Figure J).
4. Follow steps 1-8 from the "New Installation" Instructions (page 2).

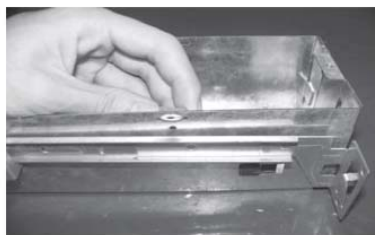


Figure A



Figure B



Figure C



Figure D



Figure E



Figure F



Figure G

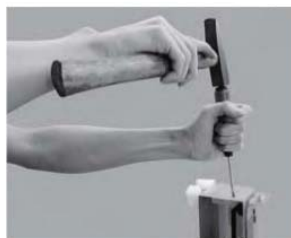


Figure H



Figure I



Figure J



LIFE SAFETY SOLUTIONS
TEL: 800-705-SERV (7378) www.lithonia.com
techsupport-emergency@acuitybrands.com

Part #EMCSA00808 Rev. E
2020.11.13