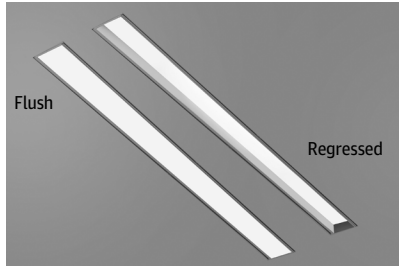


MARK ARCHITECTURAL LIGHTING™



Slot 2 LED Recessed Tunable White

Slot 2 LED combines tunable white with beautiful form and function. Distributed intelligence enables the previously unachievable, independent control of color temperature and intensity. This in the same visually harmonious and energy efficient luminaire.

Slot 2 LED is the ideal choice for spaces that emphasize lines and clean contemporary design. It is a perfect fit for Armstrong TechZone™ ceiling systems. A regressed lens option provides added dimension to the sleek, slender design and the flush lens now has a Wet Label option.

Type:

Project:

Catalog Number:

DO NOT TYPE HERE. Autopopulated field.

Specification Features

Housing

Nominal 2" x 2', 3', 4', 5', 6', 7', 8' and continuous rows in 1" increments as standard, upper housing fabricated from cold-rolled steel with extruded aluminum ceiling trim.

Finish

Polyester powder coat painted finish.

Reflector

Precision-formed steel; high reflectance matte white powder coat; 93% reflectivity.

Shielding

Flush Lens: Snap-in 90% transmissive satin acrylic lens. Lens is not sealed or gasketed.

Regressed Lens: Lay-in 90% transmissive satin acrylic lens.

Mounting

Recessed. Available for sheetrock, 9/16" slot grid or 15/16" inverted tee ceilings, or 9/16" inverted tee.

Certification

CSA certified to meet U.S. and Canadian standards (UL1598 and UL8750). This product is IC rated. Optional Damp (DPL) or Wet (WL) location listings available with specified nomenclature. Wet location listing is suitable for covered ceiling mount installation only, where any water exposure is beneath the non-porous mount surface.

Government Procurement

BAA – Buy America(n) Act: Product qualifies as a domestic end product under the Buy American Act as implemented in the FAR and DFARS. Product also qualifies as manufactured in the United States under DOT Buy America regulations.
BABA – Build America Buy America: Product qualifies as produced in the United States under the definitions of the Build America, Buy America Act.
Please refer to www.acuitybrands.com/buy-american for additional information.

Warranty

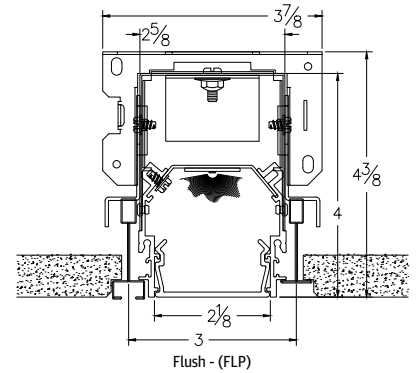
5-year limited warranty. This is the only warranty provided and no other statements in this specification sheet create any warranty of any kind. All other express and implied warranties are disclaimed. Complete warranty terms located at: www.acuitybrands.com/support/warranty/terms-and-conditions

Note: Actual performance may differ as a result of end-user environment and application.

All values are design or typical values, measured under laboratory conditions at 25 °C.

Specifications subject to change without notice.

Technical Drawing



Fixture Performance- SL2L

Range	Lumens Output Fixture Style	400LMF		600LMF		800LMF		1000LMF	
		RLP	FLP	RLP	FLP	RLP	FLP	RLP	FLP
PROR	Delivered Lumens/Ft	225-250	297-330	375-416	495-549	521-579	688-763	660-732	871-966
PROR	Input Watts/Ft	3-4	3-4	5-6	5-6	7-8	7-8	9-10	9-10
PROR	Lumens/Watt	62-73	82-96	65-79	86-104	65-78	86-103	64-75	85-98
RHYR	Delivered Lumens/Ft	218-234	288-309	363-390	480-514	505-542	667-715	640-687	844-906
RHYR	Input Watts/Ft	3-4	3-4	5-6	5-6	7-8	7-8	9-10	9-10
RHYR	Lumens/Watt	64-70	84-92	67-76	88-101	67-76	88-100	66-72	87-95



LED Life

Rated 65,000 hours (L80) at 25 °C ambient temperature.

Color Consistency

The Acuity Brands circuit boards for the linear LED components use a precise binning algorithm which creates a consistent color temperature from board to board. Color variation is no greater than a 2.5 Step MacAdam (2.5SDCM) along the black body locus from board to board. (< 5 Step Productivity Range; <8 Step Rhythm Range)

Driver

eldoLED constant current driver options delivers ultra-smooth dimming resolution from 100% to <1%, while assuring flicker free, low current inrush, 89% efficiency and low EMI.

Mainstream Dynamic Tunable White with nTune Technology

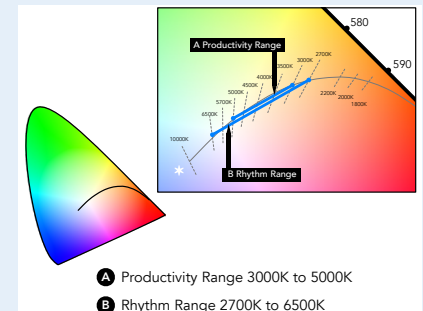
Tunable white nTune™ is an all digital light color temperature control within an nLight enabled luminaire. This brings tunable white lighting control into the mainstream with repeatable, consistent results in an economical luminaire form and system already familiar to schools. Designers and facility operators are granted the freedom to tie scenes to specific activities or to complement colors or materials within a visual environment. nTune™ allows color temperature settings through the Productivity Range of 3000K 5000K or Rhythm Range of 2700K to 6500K. Refer to the nLight Programming User's Guide for instructions on customizing to your application with SensorView™.

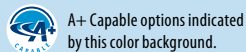
Tunable White GPHD

- **Gamut:** One dimensional warm-Cool
- **Path:** Direct 3000K to 5000k (Productivity Range) or 2700K to 6500K (Rhythm Range)
- **Handle:** Two Natural Language Handles: Intensity and CCT
- **Data:** nLight with nTune technology for both handles of control

Photometry

For photometric information refer to www.marklighting.com.





Ordering

Example: SL2L LOP 4FT FLP FL 80CRI TUWH RHYR 800LMF DARK 277 NLT

--	--	--	--	--	--

Series	Linear Length Plan	Total Run Length	Fixture Style	Ceiling Trim (See page 4 for details)	Direct Light Source Color Rendering	
SL2L Slot 2 LED Linear Recessed	LOP Linear Optimized Plan	2FT 2' 3FT 3' 4FT 4' 5FT 5' 6FT 6'	7FT 7' 8FT 8' _FT_ *Specify continuous linear feet in 1" increments (7FT6 = 7FT 6IN)	RLP^{1,3} Regressed Lens FLP² Flush Lens	FL⁴ 5/8" Flange(sheetrock) FLINB^{10,11} 5/8" Flange (sheetrock) Install From Below TG 9/16" or 15/16" Flat or Inverted Tee GB⁴ Trimless (sheetrock) WFL Perimeter Mount, 5/8" Flange (Sheetrock) WTG 9/16" Flat or Inverted Tee, Perimeter Mount <small>*For metal pan, hard wood or other ceiling types consult factory</small>	80CRI 80 CRI 90CRI 90 CRI

Dynamic Feature	Dynamic Range	Direct LED Light Output	Direct Distribution	Minimum Dimming Level	Voltage	Finish
TUWH Tunable White	PROR Productivity Range (3000K-5000K) RHYR Rhythm Range (2700K-6500K)	400LMF 400 Lumens per FT 600LMF 600 Lumens per FT 800LMF 800 Lumens per FT 1000LMF 1000 Lumens per FT	(blank) Standard Distribution WW⁵ Wall Wash	DARK Constant current, dimming to <1%	120 120V 277 277V	(blank) White (satin) xxx/BLKT Black (satin) xxx/SLVT Silver (satin) xxx/AMF Anti-Microbial White (satin) xxx/RALTBD RAL paint finish <small>xxx = fill in with the appropriate ceiling trim. Only trims are painted. RALTBD is for pricing only. Replace with applicable RAL number and texture when placing order.</small>

Emergency Options	Control Interface	Primary Sensor ⁸	Secondary Sensor ⁸	Tertiary Zone	Options
(blank) No Emergency _E10WLCP⁶ Number of 4ft Emergency Section(s) with battery pack EMG Emergency nLight device for use with generator supply EM power _EC⁷ # of Emergency Circuits	NLT nLight nTune interface	(blank) Single Zone, No Sensor NS Multi-zone, No Sensor Main Zone PDT Dual Technology Occupancy Sensor, PIR and Microphonics Sensor ADC Daylight Dimming Sensor API Passive Infrared Occupancy Sensor and Daylight Dimming Sensor ADP Dual Technology Occupancy Sensor and Daylight Dimming Sensor	(blank) No additional zones/sensors SNS Multi-zone, with no sensor in secondary zone SPDT Dual Technology Occupancy Sensor, PIR and Microphonics Sensor SADC Daylight Dimming Sensor SAPI Passive Infrared Occupancy Sensor and Daylight Dimming Sensor SAPD Dual Technology Occupancy Sensor and Daylight Dimming Sensor	(blank) No additional zones/sensors TNS Multi-zone, with no sensor in tertiary zone	CP Chicago Plenum BAA Buy America(n) Act and/or Build America Buy America Qualified WL¹⁰ Wet Location Listing DPL⁹ Damp Location Listing

Notes

- Supplied with lift and shift lay-in lens.
- Supplied with snap-in lens.
- Wet Location label not available with downlights, regressed lens, sensor options. Cannot be installed on vertical surfaces.
- Not intended for post sheetrock installation.
- WW not available with RLP lens and all sensor options.
- Default battery pack is integral, battery pack will be remote on 2' & 3' (RE10WLCP) and on all sizes with RLP, WW or sensor options. Only 1 integral battery pack per unit. CP listing must have an intergral battery. Remote batteries are not wet location listed, they may be used with a wet location fixture if the battery itself is mounted in a dry location.
- Standard 4' EC section, defaults to end of run. 2ft, 3ft and 5ft powers entire fixture, 6ft powers 3ft EC section. Requires power from nLight network bridge or nPS80.
- Sensors not available with WW, NODIM driver, WL, RLP, or downlights. Default location for sensor is the left side of the fixture. For runs the first fixture will include the sensor.
- Lens is not sealed or gasketed.
- 1" increments will have extended lead time.
- Not available with RLP regressed lens option.

A+ Capable Luminaire

This item is an A+ capable luminaire, which has been designed and tested to provide consistent color appearance and out-of-the-box control compatibility with simple commissioning.

- All configurations of this luminaire meet the Acuity Brands' specification for chromatic consistency
- This luminaire is part of an A+ Certified solution for nLight® control networks when ordered with drivers marked by a **shaded background***
- This luminaire is part of an A+ Certified solution for nLight control networks, providing advanced control functionality at the luminaire level, when selection includes driver and control options marked by a **shaded background***

To learn more about A+, [visit www.acuitybrands.com/aplus](http://www.acuitybrands.com/aplus).

*See ordering tree for details.

Specification Features (continued)

Integrated Sensor(s) (nLight Wired Networking)

This sensor is nLight-enabled, meaning it has the ability to communicate over an nLight network. When wired, using CAT 5 cabling, with other nLight-enabled sensors, power packs, or WallPods, an nLight control zone is created. Once linked to a Gateway, directly or via a Bridge, the zone becomes capable of remote status monitoring and control via SensorView software. See below for the nLight sensor options.

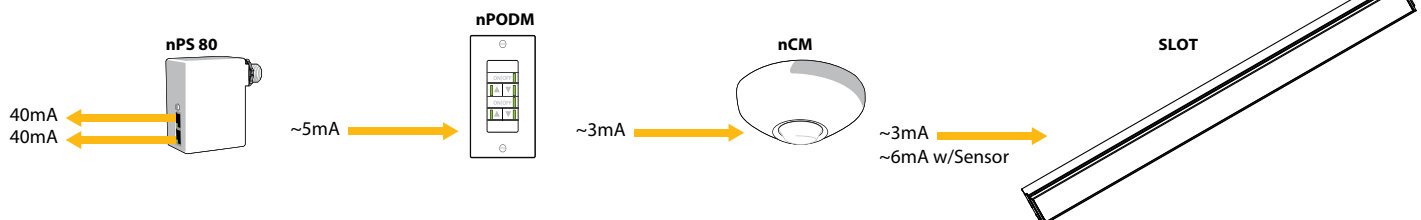
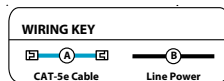
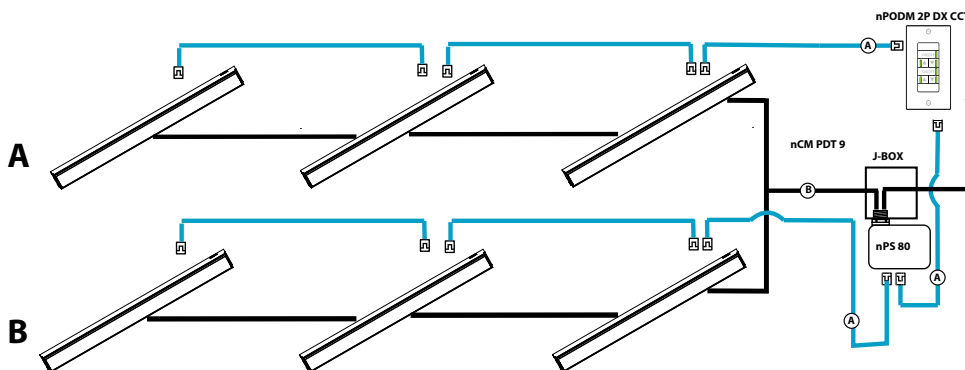
nLight® Control Accessories:			
Order as separate catalog number. Visit www.acuitybrands.com/products/controls/nlight .			
Photocell controls	Model number	Occupancy sensors	Model number
Full range dimming	nCM ADCX RJB	Small motion 360°, ceiling (PIR / dual tech)	nCM 9 RJB / nCM PDT 9 RJB
		Large motion 360°, ceiling (PIR / dual tech)	nCM10 RJB / nCM PDT 10 RJB
Power Supply		Wall switch with raise/lower	nWSX PDT LV DX [color]
nLight Power Supply	nPS 80	Cat-5 cable (plenum rated)	Model number
		10' cable	CAT5 10FT J1
		30' cable	CAT5 30FT J1

Tunable White Wall Pod



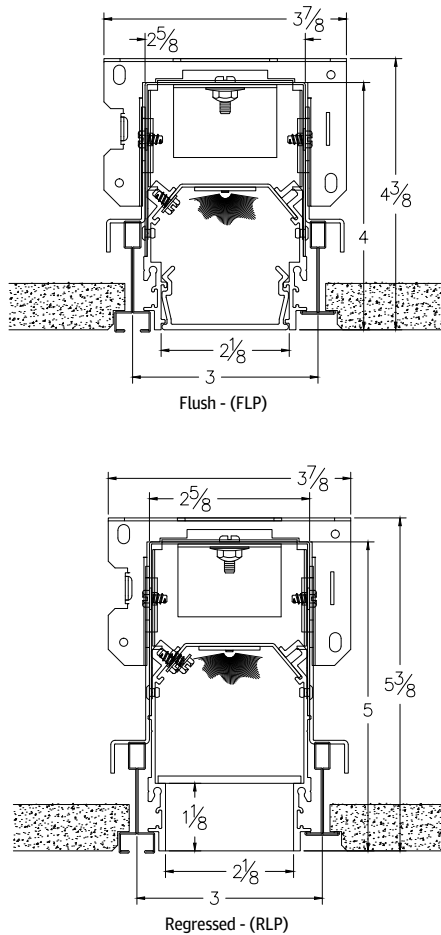
nPODM 2P DX CCT

Typical nLight network layout with power supply, sensor and wallpod.

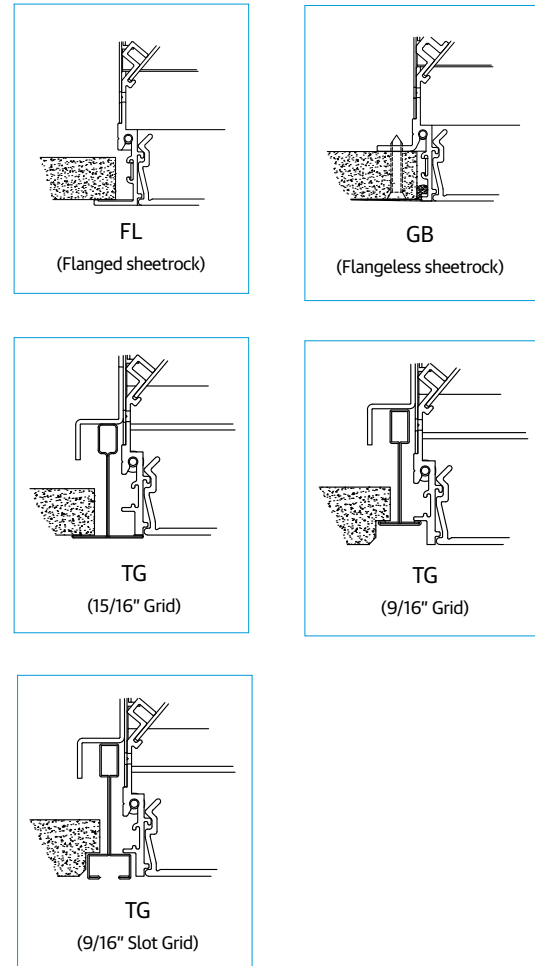


*Note: Also applicable to linear runs. Each 4' fixture section must be connected, by CAT5 cable, to another fixture.

Technical Drawing

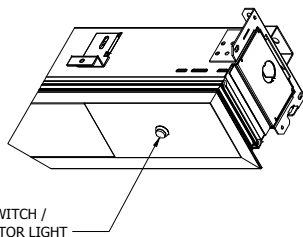


Ceiling Trim

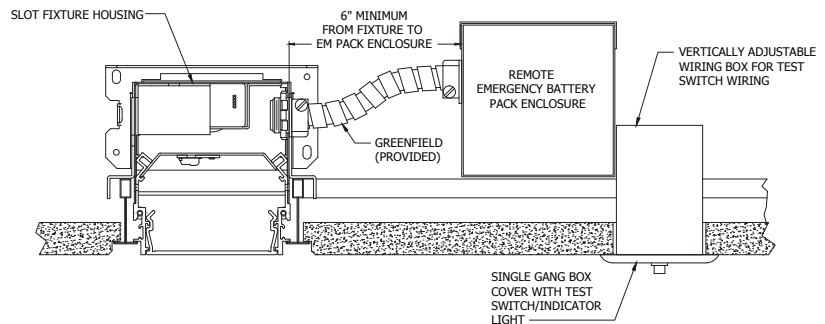


Emergency Battery

Internally Mounted (E10WLCP)



Remote Mounted (RE10WLCP)



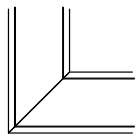
- Notes**
- Delivers 700 lumens per 4FT length. Default location is the right side of fixture and end of run.
 - Provided with 4FT of flexible conduit. Maximum of 25FT remote distance if extended. Extension provided by others.
 - See ordering tree notes for remote battery pack scenarios.

Continuous Runs

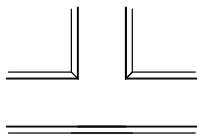
Slot 2 LED continuous rows can be configured in 1" increments.

Run Patterns, Corners and Junction

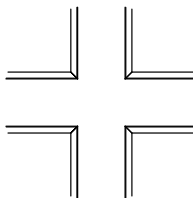
Slot 2 LED patterns be configured in 1' increments with illuminated 90° inside and outside corners, T junctions, and X junctions with standard 2' corner and junction lengths. For custom angles, corner or junction lengths, consult factory.



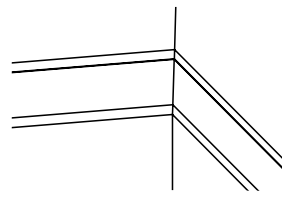
90° Corner



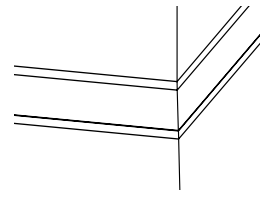
T Junction



X Junction



Inside Corner



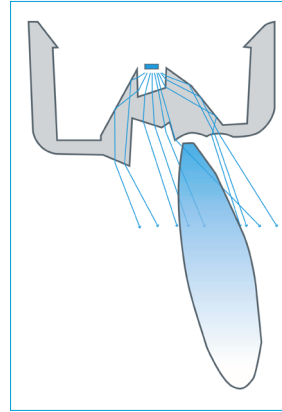
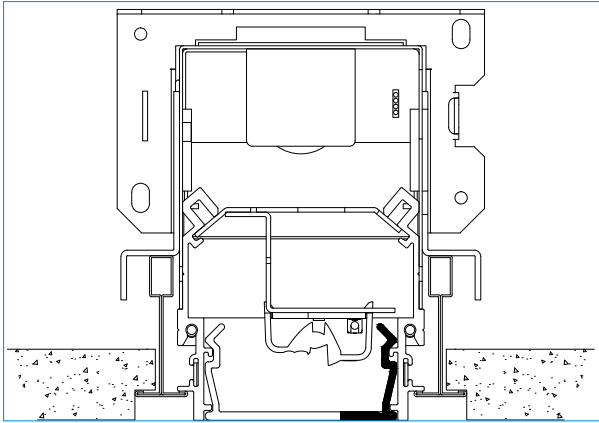
Outside Corner

Layout Sketch

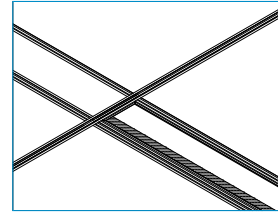
Please draw and configure your linear run below.

OPTICS

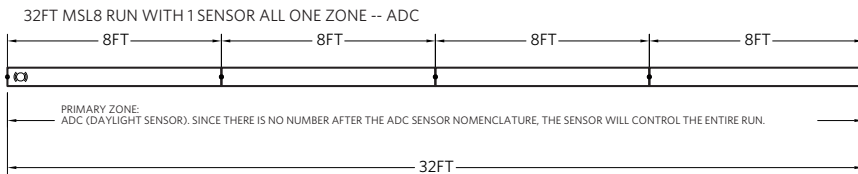
Slot LED's patent-pending, precision lumen DIRECTIR optics condition and refract light to deliver accurately controlled, striation-free, and uniform white light. All lumen DIRECTIR optics are injection-molded, optical grade, UV-resistant acrylic with selective finishing/polishing treatment.



Optional Wall Wash (WW)



INTEGRATED SENSOR LAYOUT



- Notes:**
- Only one sensor per zone

OCCUPANCY DETECTION COVERAGE

At the 7.5 ft (2.9 m) hanging height of a typical pendant mount fixture the sensor provides 10 ft (3.05 m) radial detection of small motion. At a 9 ft (2.74 m) hanging height the radius is 12 ft (3.66 m) for small motion.

Adequate for walking motion detection from mounting heights between 7.5 ft (2.29 m) and 20 ft (6.10 m).

Initial detection will occur earlier when walking across sensor's field of view than when walking directly at sensor.

Initial detection of walking motion into long coverage segment will occur at distances of 2x the mounting height up to 15 ft (4.57 m) and 1.75x up to 20 ft (6.10 m). Lens assembly rotates 15° to enable adjustment in order to line up long segments.

