

FEATURES & SPECIFICATIONS

INTENDED USE — The Lithonia Lighting JCBL LED Highbay is the affordable LED solution for users who prefer a luminaire with the look and feel of a round form factor. Gymnasiums, warehouses, packaging facilities and other industrial applications all benefit from JCBL's highly efficient design that saves over traditional sources. **Certain airborne contaminants can diminish the integrity of acrylic and/or polycarbonate.** [Click here for Acrylic-Polycarbonate Compatibility table for suitable uses.](#)

Certain airborne contaminants may adversely affect the functioning of LEDs and other electronic components, depending on various factors such as concentrations of the contaminants, ventilation, and temperature at the end-user location. [Click here for a list of substances that may not be suitable for interaction with LEDs and other electronic components.](#)

CONSTRUCTION — JCBL features an aluminum heat sink to maximize heat dissipation and extend the life of the luminaire by maximizing contact with the LEDs. A glass optical enclosure (IP65 rated) protects the LEDs from dust and other air contaminants. Reflector options including aluminum, prismatic acrylic and polycarbonate ship together and easily mount to the heatsink for quick installation.

OPTICS — Reflector and lens options provide maximum versatility and uniformity. Conical, flat or acrylic drop lenses offer enhanced aesthetics, minimize glare at lower mounting heights when paired with acrylic reflectors.

ELECTRICAL — Utilizes 90°C case temperature for maximum life at high temperatures. Less than 20% THD and PF >90. Luminaire Surge Protection Level: Designed to withstand up to 6kV/3kA per ANSI C82.77-5-2015 with MVOLT. Luminaire Surge Protection Level: Designed to withstand up to 10kV/5kA per ANSI C82.77-5-2015 with HVOLT. Input voltages include 120-277, 347/480 without the use of a step down transformer. 0-10V dimming standard for a dimming range of 100% to 10%. Suitable for 50/60Hz.

WIRELESS NETWORKING — Integrated Sensor (nLight Wired Networking): This sensor is nLight-enabled, meaning it has the ability to communicate over an nLight network. When wired, using CAT-5 cabling, with other nLight-enabled sensors, power packs, or WallPods, an nLight control zone is created. Once linked to a Gateway, directly or via a Bridge, the zone becomes capable of remote status monitoring and control via SensorView software.

Integrated Smart Sensor (nLight AIR Wireless Platform): The rSBOR sensor is nLight AIR enabled, meaning it has the ability to communicate over the wireless nLight control platform. It is available with an automatic dimming photocell, and either a digital PIR or dual technology occupancy sensor. It pairs to other Luminaires and wall switches through our mobile app, CLAIRITY PRO, which allows for simple sensor adjustment.

INSTALLATION — Mounting options include steel hook & cord or 3/4" NPT threaded hub to accommodate stem or cast hook options.

LISTINGS — UL1598/C SA C22 .2 250, Damp location listed. Suitable for use in ambient temperatures from -40°C up to 55°C.

DesignLights Consortium® (DLC) Premium qualified product and DLC qualified product. Not all versions of this product may be DLC Premium qualified or DLC qualified. Please check the DLC Qualified Products List at www.designlights.org/QPL to confirm which versions are qualified.

WARRANTY — 5-year limited warranty. This is the only warranty provided and no other statements in this specification sheet create any warranty of any kind. All other express and implied warranties are disclaimed. Complete warranty terms located at: www.acuitybrands.com/support/warranty/terms-and-conditions

Note: Actual performance may differ as a result of end-user environment and application. All values are design or typical values, measured under laboratory conditions at 25 °C. Specifications subject to change without notice.

Catalog Number
Notes
Type



LED Damp Rated High Bay

JCBL

9000, 12000, 15000, 18000,
24000, 30000 or 36000 lumens



A+ Capable Luminaire

This item is an A+ capable luminaire, which has been designed and tested to provide consistent color appearance and out-of-the-box control compatibility with simple commissioning.

- All configurations of this luminaire meet the Acuity Brands' specification for chromatic consistency
- This luminaire is part of an A+ Certified solution for nLight® control networks marked by a **shaded background***

To learn more about A+, visit www.acuitybrands.com/aplus.

*See ordering tree for details

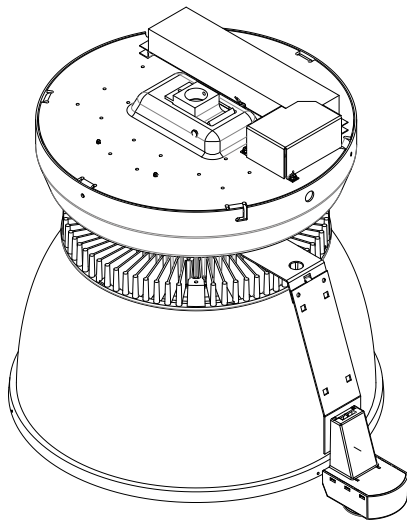
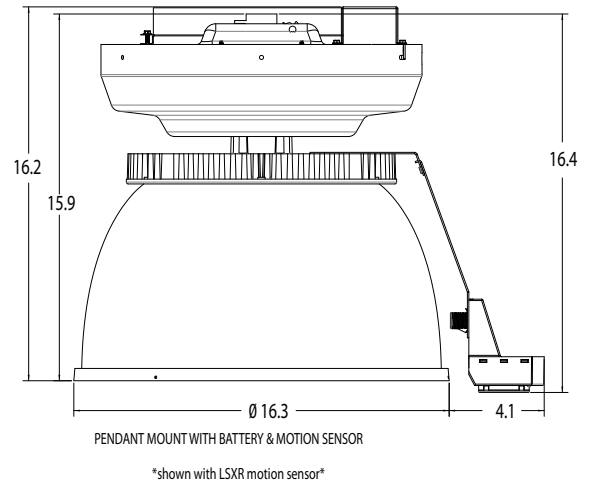
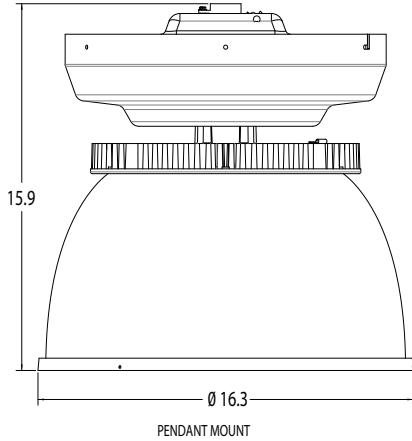
JCBL LED Damp Rated High Bay

DIMENSIONS

All dimensions are in inches (centimeters) unless otherwise indicated.
Dimensions may vary with options or accessories.

Typical weight:

A cartoned luminaire weighs 23 lbs.;
unboxed it weighs 16 lbs.



JCBL LED Damp Rated High Bay



A+ Capable options indicated by this color background.

ORDERING INFORMATION

Lead times will vary depending on options selected. Consult with your sales representative.

Example: JCBL 24000LM DALR MVOLT GZ10 40K 80CRI SC6W DWHXD

JCBL					
Series	Lumens	Reflector	Lens ‡		Voltage
JCBL	9000LM 9,000 lumens 12000LM 12,000 lumens 15000LM 15,000 lumens 18000LM 18,000 lumens 24000LM 24,000 lumens 30000LM 30,000 lumens 36000LM 36,000 lumens	DALR Diffuse aluminum SALR Specular aluminum ACFR Frosted acrylic ACCR Clear acrylic PLCR Clear polycarbonate	(blank) Open bottom <u>For use with aluminum reflectors</u> ALDRP Drop prismatic ALCON Conical ALFGL Flat prismatic	<u>For use with acrylic and polycarbonate reflectors</u> ACRRDP Drop prismatic ACRCON Conical ACRFGL Flat prismatic	MVOLT 120-277V HVOLT 347/480V 120 120V 208 208V 240 240V 277 277V 347 347V 480 480V

GZ10			
Driver	Color temperature	Color rendering index	Mounting Configurations
GZ10 0-10V dimming ‡	30K 3000 K 35K 3500 K 40K 4000 K 50K 5000 K	70CRI 70 CRI 80CRI 80 CRI 90CRI 90 CRI	PM Pendant mount SC6W Steel hook & white 6' cord SC6PW Steel hook with white 6' cord and NEMA twist lock plug ‡ SC6PNW Steel hook with white 6' straight blade cordset ‡ SCS6G16WSTOW5D Steel hook with white 6' cord, 16/5, no plug, includes low voltage dimming wires ‡ SC12W Steel hook & 12' white cord SC12PW Steel hook with white 12' cord and NEMA twist lock plug ‡ SC12PNW Steel hook with white 12' straight blade cordset ‡ SCS12G16WSTOW5D Steel hook with white 12' cord, 16/5, no plug, includes low voltage dimming wires ‡

Options		Super Durable Finishes
HOCS Hook, 6' RELOC® OCS ‡ OCS 6' RELOC® OCS ‡ E10WCP EM Self-diagnostics battery pack, 10W, constant power, certified in CA title 20 MAEDBS ‡ BGTG Generator transfer device (120 or 277 only) ‡ WG Wire guard for open bottom reflectors (ships separately) FWG Full wire guard (ships separately) SCF120 Safety Cable 120" SCF240 Safety cable 240"	Cordsets: C6W White 6' cord ‡ C12W White 12' cord ‡ C6PNW White 6' cord with straight blade plug ‡ CS6G16WSTOW5D White 6' cord, 16/5, no plug, includes low voltage dimming wires ‡ HK455 Safety hook, male, cast aluminum, factory installed ‡ HC6W White 6' cord with male cast hook, no plug ‡ HC6PW White 6' cord with male cast hook and NEMA twist lock plug ‡ HC6PNW White 6' cord with male cast hook and straight blade cord ‡ HC6P20W White 6' cord with male cast hook and 20-amp plug ‡ HCS6G16WSTOW5D White 6' cord with male cast hook, 16/5, no plug, includes low voltage dimming wires ‡	DWXXD White DNAXD Natural aluminum DWHGXD Textured white DNATXD Textured natural aluminum DBLXD Black
Controls: AO Adjustable output ‡ LCOZU Aisle motion sensor, pre-wired LCHOSZU Aisle motion sensor, pre-wired; programmable dimming LCPZU Aisle motion sensor with photocell; pre-wired LAOZU 360° motion sensor, pre-wired LAHOSZU 360° motion sensor, pre-wired; programmable dimming LAPZU 360° motion sensor with photocell, pre-wired	Controls: <u>Individual Controls with Bluetooth Programming:</u> LSX45 OCC BTP 360° High Mount Occ Sensor, pre-wired; Bluetooth® ‡ LSX45 HL BTP 360° High Mount Occ Sensor w/HL Default, pre-wired; Bluetooth® ‡ LSX45 ADC BTP 360° High Mount Occ Sensor w/ADC Default, pre-wired; Bluetooth® ‡ LSX45 ANL BTP 360° High Mount Occ Sensor w/ANL Default, pre-wired; Bluetooth® ‡ <u>nLight AIR Wireless Controls: ‡</u> NLTAIR2 RKOA nLight AIR Generation 2 enabled 360° high mount motion sensor NLTAIR2 RKOB nLight AIR Generation 2 enabled 360° low mount motion sensor NLTAIR2 rPP20D nLight AIR Generation 2 dimming and switching module ‡ NLTAIR2 rPP20DER nLight AIR Generation 2 dimming and switching module with emergency relay ‡ <u>nLight Wired Network Controls:</u> NPP16D nLight® switching/dimming module ‡ NPP16DER nLight® switching/dimming module with emergency relay ‡	

NOTE: ‡ indicates option chosen has ordering restrictions. Please reference ordering restrictions chart, page 4. Options are sorted alphanumerically.

Accessories and Notes next page.

JCBL LED Damp Rated High Bay

Accessories: Order as separate catalog number.	
HK455	Safety hook, male, cast aluminum
JCBLHKF	Hook, female
JCBLSTEM12 XXX	Swivel stem kit, must specify finish.
JCBLSTEM24 XXX	Swivel stem kit, 24", must specify finish.
JCBLSTEM36 XXX	Swivel stem kit, 36", must specify finish.
WGCJBL	Wire guard for use with open bottom reflectors
FWGCJBL	Full wire guard

‡ Option Value Ordering Restrictions	
Option value	Restriction
ACRCON	Lensed fixtures are suitable for use in ambient temperatures up to 40°C.
Lens	Lensed fixtures are suitable for use in ambient temperatures up to 40°C.
AO	Not available with other controls.
BGTD	Only available with 120V or 277V. Not available with MVOLT or HVOLT. Not available with battery packs, plugs, XAD, XAD924, or NLTAIR2 RPP20DER.
C12W	PM option required.
C6W	PM option required.
C6PNW	PM option required. Not available with E10WCP, BGTD, NPP16DER or NLTAIR2 rPP20DER. Must specify voltage. Not available with MVOLT, HVOLT, 347V or 480V. Not available with battery packs.
CS6G16WSTOW5D	PM option required. Not available with E10WCP, BGTD, NPP16DER or NLTAIR2 rPP20DER.
E10WCP	Not available with 347V, 480V or HVOLT. Four conductor cordset ships standard when product is ordered with cord. Utilizes PS1055CP .
GZ10	If ordering a cord and dimming is required for your application, choose CS6G16WSTOW5D, SC12G16WSTOW5D, or HCS6G16WSTOW5D as your cord option.
HC6W	PM option required. Ships standard with HK455 option.
HC6PW	PM option required. Not available with E10WCP, BGTD, NPP16DER or NLTAIR2 rPP20DER. Must specify voltage. 120-277V utilizes a 15-amp plug, 347-480 utilizes a 20-amp plug (standard). Not available with battery packs. Ships standard with HK455 option.
HC6P20W	PM option required. Not available with E10WCP, BGTD, NPP16DER or NLTAIR2 rPP20DER. Must specify voltage. Not available with 347, 480, MVOLT or HVOLT. Not available with battery packs. Ships standard with HK455 option.
HC6PNW	PM option required. Not available with E10WCP, BGTD, NPP16DER or NLTAIR2 rPP20DER. Must specify voltage. Not available with MVOLT or HVOLT. 120-277V utilizes a 15-amp plug, 347-480 utilizes a 20-amp plug (standard). Not available with battery packs. Ships standard with HK455 option.
HCS6G16WSTOW5D	PM option required. Not available with E10WCP, BGTD, NPP16DER or NLTAIR2 rPP20DER. Ships standard with HK455 option.
HK455	PM option required.
HOCS	PM option required. Must specify voltage. Not available with MVOLT or HVOLT. Not available with cordsets. When reloc is selected fixture bears a dry location label. Fixture ships with OCS4C when ordered with battery pack. 120-277V utilizes a 15-amp plug, 347-480 utilizes a 20-amp plug (standard). Ships standard with HK455 option.
LSX45 OCC BTP	Not able to order 9,000LM or 12,000LM with 347V, 480V, or HVOLT. 9,000LM and 12,000LM will not dim to off if ordered with LSX controls.
LSX45 HL BTP	Not able to order 9,000LM or 12,000LM with 347V, 480V, or HVOLT. 9,000LM and 12,000LM will not dim to off if ordered with LSX controls.
LSX45 ADC BTP	Not able to order 9,000LM or 12,000LM with 347V, 480V, or HVOLT. 9,000LM and 12,000LM will not dim to off if ordered with LSX controls.
LSX45 ANL BTP	Not able to order 9,000LM or 12,000LM with 347V, 480V, or HVOLT. 9,000LM and 12,000LM will not dim to off if ordered with LSX controls.
nLight AIR Wireless Controls	Normal luminaires (non-emergency) can be used as a normal power sensing device for nearby nLight AIR devices and luminaires with EM emergency options.
NLTAIR2 RPP20D	Not available with HVOLT, 347V, or 480V. Not available with battery or BGTD option.
NLTAIR2 RPP20DER	Not available with HVOLT, 347V, or 480V. Not available with battery or BGTD option.
NPP16D	Must specify voltage. Available with 120V-347V only. Not available with battery or BGTD option.
NPP16DER	Must specify voltage. Available with 120V-347V only. Not available with battery or BGTD option.
OCS	PM option required. Must specify voltage. Not available with MVOLT or HVOLT. Not available with cordsets. When reloc is selected fixture bears a dry location label. Fixture ships with OCS4C when ordered with battery pack. 120-277V utilizes a 15-amp plug, 347-480 utilizes a 20-amp plug (standard). Ships standard with HK455 option.
SC12PW	Not available with E10WCP, BGTD, NPP16DER or NLTAIR2 rPP20DER. Must specify voltage. Not available with MVOLT or HVOLT. 120-277V utilizes a 15-amp plug, 347-480 utilizes a 20-amp plug (standard). Not available with battery packs.
SC12PNW	Not available with E10WCP, BGTD, NPP16DER or NLTAIR2 rPP20DER. Must specify voltage. Not available with MVOLT, HVOLT, 347V or 480V. Not available with battery packs. If black cord is required, remove "W" from nomenclature. Example: SC12P.
SC6PW	Not available with E10WCP, BGTD, NPP16DER or NLTAIR2 rPP20DER. Must specify voltage. Not available with MVOLT or HVOLT. 120-277V utilizes a 15-amp plug, 347-480 utilizes a 20-amp plug (standard). Not available with battery packs.
SC6PNW	Not available with E10WCP, BGTD, NPP16DER or NLTAIR2 rPP20DER. Must specify voltage. Not available with MVOLT, HVOLT, 347V or 480V. If black cord is required, remove "W" from nomenclature. Example: SC6PN.
SCS6G16WSTOW5D	Not available with E10WCP, BGTD, NPP16DER or NLTAIR2 rPP20DER. Not available with battery packs. If black cord is required, remove "W" from nomenclature. Example: SCS6G16STOW5D.
SCS12G16WSTOW5D	Not available with E10WCP, BGTD, NPP16DER or NLTAIR2 rPP20DER. Not available with battery packs. If black cord is required, remove "W" from nomenclature. Example: SCS12G16STOW5D.

OPERATIONAL DATA

Lumen Package	Input Watts	Ambient Rating	Reflector	Lens	Delivered Lumens											
					3000K CCT, 70CRI	3500K CCT, 70CRI	4000K CCT, 70CRI	5000K CCT, 70CRI	3000K CCT, 80CRI	3500K CCT, 80CRI	4000K CCT, 80CRI	5000K CCT, 80CRI	3000K CCT, 90CRI	3500K CCT, 90CRI	4000K CCT, 90CRI	5000K CCT, 90CRI
9000LM	63	-40°F (-40°C) - 131°F (55°C)	ACCR	-	9628	10046	10186	10256	9418	9418	9558	10046	7814	8023	8163	8581
			ACFR	-	9602	10020	10159	10229	9394	9394	9533	10020	7793	8002	8141	8559
			DALR	-	8045	8395	8511	8569	7870	7870	7987	8395	6529	6704	6821	7170
			PLCR	-	8967	9357	9487	9552	8772	8772	8902	9357	7277	7472	7602	7992
			SALR	-	8811	9194	9322	9385	8619	8619	8747	9194	7151	7342	7470	7853
			ACCR	ACRCON	9014	9405	9536	9601	8818	8818	8948	9405	7315	7511	7642	8034
			ACFR	ACRCON	9069	9463	9594	9660	8872	8872	9003	9463	7360	7557	7689	8083
			PLCR	ACRCON	8422	8789	8911	8972	8239	8239	8361	8789	6836	7019	7141	7507
			ACCR	ACRDRP	8900	9287	9416	9480	8706	8706	8835	9287	7223	7416	7545	7932
			ACFR	ACRDRP	9082	9477	9608	9674	8884	8884	9016	9477	7371	7568	7700	8095
			PLCR	ACRDRP	8350	8713	8834	8894	8168	8168	8289	8713	6777	6958	7079	7442
			ACCR	ACRFGL	9042	9435	9566	9632	8845	8845	8976	9435	7338	7535	7666	8059
			ACFR	ACRFGL	9102	9498	9630	9696	8904	8904	9036	9498	7387	7585	7717	8113
			PLCR	ACRFGL	8378	8742	8864	8924	8196	8196	8317	8742	6800	6982	7103	7467
			DALR	ALCON	7787	7895	7949	7462	7300	7300	7408	7787	6056	6219	6327	6651
			SALR	ALCON	8529	8648	8707	8174	7996	7996	8115	8529	6634	6812	6930	7286
			DALR	ALDRP	7778	7886	7940	7453	7291	7291	7399	7778	6049	6211	6319	6643
			SALR	ALDRP	8580	8699	8758	8222	8043	8043	8162	8580	6673	6852	6971	7328
			DALR	ALFGL	7613	7719	7772	7296	7138	7138	7243	7613	5922	6080	6186	6503
			SALR	ALFGL	8564	8683	8743	8207	8029	8029	8148	8564	6661	6839	6958	7315
12000LM	84	-40°F (-40°C) - 131°F (55°C)	ACCR	-	12418	12958	13138	13228	12148	12148	12328	12958	10079	10349	10529	11069
			ACFR	-	12386	12924	13104	13193	12116	12116	12296	12924	10052	10321	10501	11039
			DALR	-	10377	10828	10978	11053	10151	10151	10301	10828	8422	8647	8798	9249
			PLCR	-	11566	12069	12236	12320	11314	11314	11482	12069	9387	9638	9806	10309
			SALR	-	11365	11859	12023	12106	11118	11118	11282	11859	9223	9471	9635	10129
			ACCR	ACRCON	11626	12132	12300	12384	11373	11373	11542	12132	9436	9688	9857	10362
			ACFR	ACRCON	11697	12206	12375	12460	11443	11443	11613	12206	9493	9748	9917	10426
			PLCR	ACRCON	10864	11336	11493	11572	10628	10628	10785	11336	8817	9053	9211	9683
			ACCR	ACRDRP	11479	11978	12145	12228	11230	11230	11396	11978	9316	9566	9732	10231
			ACFR	ACRDRP	11714	12223	12393	12478	11459	11459	11629	12223	9507	9762	9932	10441
			PLCR	ACRDRP	10770	11238	11394	11472	10536	10536	10692	11238	8741	8975	9131	9599
			ACCR	ACRFGL	11663	12170	12339	12423	11409	11409	11578	12170	9465	9719	9888	10395
			ACFR	ACRFGL	11740	12251	12421	12506	11485	11485	11655	12251	9528	9784	9954	10464
			PLCR	ACRFGL	10806	11276	11433	11511	10572	10572	10728	11276	8770	9005	9162	9632
			DALR	ALCON	10044	10183	10253	9625	9416	9416	9555	10044	7812	8021	8160	8579
			SALR	ALCON	11002	11155	11231	10543	10314	10314	10467	11002	8557	8786	8939	9397
			DALR	ALDRP	10032	10171	10241	9614	9405	9405	9544	10032	7803	8012	8151	8569
			SALR	ALDRP	11066	11220	11297	10605	10375	10375	10528	11066	8607	8838	8991	9452
			DALR	ALFGL	9820	9956	10025	9411	9206	9206	9343	9820	7638	7842	7979	8388
			SALR	ALFGL	11047	11200	11277	10586	10356	10356	10510	11047	8592	8822	8975	9436

JCBL LED Damp Rated High Bay

OPERATIONAL DATA (continued)

Lumen Package	Input Watts	Ambient Rating	Reflector	Lens	Delivered Lumens											
					3000K CCT, 70CRI	3500K CCT, 70CRI	4000K CCT, 70CRI	5000K CCT, 70CRI	3000K CCT, 80CRI	3500K CCT, 80CRI	4000K CCT, 80CRI	5000K CCT, 80CRI	3000K CCT, 90CRI	3500K CCT, 90CRI	4000K CCT, 90CRI	5000K CCT, 90CRI
15000LM	103	-40°F (-40°C) - 131°F (55°C)	ACCR	-	14899	15547	15763	15871	14575	14575	14791	15547	12092	12416	12632	13280
			ACFR	-	14860	15506	15721	15829	14537	14537	14752	15506	12060	12383	12598	13244
			DALR	-	12449	12991	13171	13261	12179	12179	12359	12991	10104	10375	10555	11096
			PLCR	-	13876	14479	14681	14781	13575	13575	13776	14479	11262	11563	11765	12368
			SALR	-	13635	14228	14425	14524	13338	13338	13536	14228	11066	11362	11560	12153
			ACCR	ACRCON	13948	14555	14757	14858	13645	13645	13847	14555	11321	11624	11826	12432
			ACFR	ACRCON	14034	14644	14847	14949	13729	13729	13932	14644	11390	11695	11898	12508
			PLCR	ACRCON	13034	13600	13789	13884	12750	12750	12939	13600	10578	10861	11050	11617
			ACCR	ACRDRP	13772	14371	14571	14670	13473	13473	13672	14371	11177	11477	11676	12275
			ACFR	ACRDRP	14054	14665	14869	14971	13749	13749	13952	14665	11406	11712	11915	12526
			PLCR	ACRDRP	12921	13483	13670	13764	12640	12640	12828	13483	10487	10768	10955	11517
			ACCR	ACRFGL	13992	14601	14804	14905	13688	13688	13891	14601	11356	11660	11863	12471
			ACFR	ACRFGL	14085	14698	14902	15004	13779	13779	13983	14698	11432	11738	11942	12554
			PLCR	ACRFGL	12965	13529	13717	13811	12683	12683	12871	13529	10522	10804	10992	11556
			DALR	ALCON	12050	12217	12301	11548	11297	11297	11464	12050	9372	9623	9791	10293
			SALR	ALCON	13199	13383	13474	12649	12374	12374	12558	13199	10266	10541	10725	11274
			DALR	ALDRP	12036	12203	12286	11534	11283	11283	11451	12036	9361	9612	9779	10281
			SALR	ALDRP	13277	13461	13553	12724	12447	12447	12631	13277	10326	10603	10787	11341
			DALR	ALFGL	11782	11945	12027	11291	11045	11045	11209	11782	9164	9409	9573	10064
			SALR	ALFGL	13253	13437	13529	12701	12425	12425	12609	13253	10308	10584	10768	11320
18000LM	125	-40°F (-40°C) - 131°F (55°C)	ACCR	-	18253	19047	19311	19443	17856	17856	18121	19047	14814	15211	15475	16269
			ACFR	-	18205	18996	19260	19392	17809	17809	18073	18996	14775	15171	15434	16226
			DALR	-	15252	15915	16136	16247	14920	14920	15141	15915	12378	12710	12931	13594
			PLCR	-	17000	17739	17985	18109	16630	16630	16877	17739	13797	14167	14413	15152
			SALR	-	16704	17430	17672	17794	16341	16341	16583	17430	13557	13920	14162	14888
			ACCR	ACRCON	17088	17831	18079	18203	16717	16717	16965	17831	13869	14240	14488	15231
			ACFR	ACRCON	17193	17941	18190	18314	16819	16819	17068	17941	13954	14328	14577	15324
			PLCR	ACRCON	15968	16662	16894	17009	15621	15621	15852	16662	12959	13307	13538	14232
			ACCR	ACRDRP	16873	17606	17851	17973	16506	16506	16750	17606	13694	14060	14305	15039
			ACFR	ACRDRP	17218	17966	18216	18341	16844	16844	17093	17966	13974	14348	14598	15346
			PLCR	ACRDRP	15830	16518	16748	16862	15486	15486	15715	16518	12847	13192	13421	14109
			ACCR	ACRFGL	17142	17888	18136	18260	16770	16770	17018	17888	13913	14285	14534	15279
			ACFR	ACRFGL	17256	18006	18257	18382	16881	16881	17131	18006	14005	14380	14630	15381
			PLCR	ACRFGL	15884	16574	16805	16920	15538	15538	15769	16574	12891	13236	13467	14157
			DALR	ALCON	14762	14967	15070	14147	13840	13840	14045	14762	11482	11789	11995	12610
			SALR	ALCON	16171	16395	16508	15497	15160	15160	15385	16171	12577	12914	13139	13813
			DALR	ALDRP	14745	14950	15052	14131	13824	13824	14028	14745	11468	11776	11980	12595
			SALR	ALDRP	16266	16492	16605	15588	15249	15249	15475	16266	12651	12990	13216	13894
			DALR	ALFGL	14434	14634	14735	13833	13532	13532	13732	14434	11226	11527	11728	12329
			SALR	ALFGL	16237	16462	16575	15560	15222	15222	15447	16237	12628	12967	13192	13869

JCBL LED Damp Rated High Bay

OPERATIONAL DATA (continued)

Lumen Package	Input Watts	Ambient Rating	Reflector	Lens	Delivered Lumens											
					3000K CCT, 70CRI	3500K CCT, 70CRI	4000K CCT, 70CRI	5000K CCT, 70CRI	3000K CCT, 80CRI	3500K CCT, 80CRI	4000K CCT, 80CRI	5000K CCT, 80CRI	3000K CCT, 90CRI	3500K CCT, 90CRI	4000K CCT, 90CRI	5000K CCT, 90CRI
24000LM	160	-40°F (-40°C) - 131°F (55°C)	ACCR	-	23693	24723	25066	25238	23178	23178	23521	24723	19229	19744	20087	21118
			ACFR	-	23630	24658	25000	25171	23117	23117	23459	24658	19178	19692	20034	21062
			DALR	-	19797	20658	20945	21089	19367	19367	19654	20658	16067	16498	16785	17646
			PLCR	-	22066	23026	23346	23505	21587	21587	21906	23026	17909	18389	18708	19668
			SALR	-	21682	22625	22939	23096	21211	21211	21525	22625	17597	18069	18383	19326
			ACCR	ACRCON	22181	23146	23467	23628	21699	21699	22021	23146	18002	18484	18806	19770
			ACFR	ACRCON	22317	23287	23611	23773	21832	21832	22155	23287	18112	18598	18921	19891
			PLCR	ACRCON	20727	21628	21928	22078	20276	20276	20577	21628	16822	17272	17573	18474
			ACCR	ACRDRP	21901	22853	23171	23329	21425	21425	21742	22853	17775	18251	18568	19520
			ACFR	ACRDRP	22349	23321	23645	23807	21863	21863	22187	23321	18138	18624	18948	19920
			PLCR	ACRDRP	20548	21441	21739	21888	20101	20101	20399	21441	16676	17123	17421	18314
			ACCR	ACRFGL	22251	23219	23541	23702	21767	21767	22090	23219	18059	18543	18865	19833
			ACFR	ACRFGL	22399	23373	23697	23860	21912	21912	22237	23373	18179	18666	18990	19964
			PLCR	ACRFGL	20617	21514	21813	21962	20169	20169	20468	21514	16733	17181	17480	18376
			DALR	ALCON	19162	19428	19561	18364	17964	17964	18231	19162	14904	15303	15569	16368
			SALR	ALCON	20990	21282	21427	20115	19678	19678	19970	20990	16326	16763	17054	17929
			DALR	ALDRP	19140	19405	19538	18342	17943	17943	18209	19140	14886	15285	15551	16348
			SALR	ALDRP	21113	21407	21553	20234	19794	19794	20087	21113	16421	16861	17155	18034
			DALR	ALFGL	18736	18996	19126	17955	17565	17565	17825	18736	14572	14962	15223	16003
			SALR	ALFGL	21076	21368	21515	20197	19758	19758	20051	21076	16392	16831	17124	18002
30000LM	204	-40°F (-40°C) - 122°F (50°C)	ACCR	-	29714	31006	31437	31652	29068	29068	29499	31006	24116	24762	25193	26484
			ACFR	-	29636	30924	31354	31569	28992	28992	29421	30924	24052	24696	25126	26414
			DALR	-	24829	25908	26268	26448	24289	24289	24649	25908	20151	20691	21051	22130
			PLCR	-	27674	28878	29279	29479	27073	27073	27474	28878	22460	23062	23463	24666
			SALR	-	27193	28375	28769	28966	26602	26602	26996	28375	22070	22661	23055	24237
			ACCR	ACRCON	27819	29028	29431	29633	27214	27214	27617	29028	22577	23182	23585	24795
			ACFR	ACRCON	27989	29206	29611	29814	27380	27380	27786	29206	22716	23324	23730	24947
			PLCR	ACRCON	25994	27124	27501	27690	25429	25429	25806	27124	21097	21662	22039	23169
			ACCR	ACRDRP	27467	28661	29059	29258	26870	26870	27268	28661	22292	22889	23287	24482
			ACFR	ACRDRP	28029	29248	29654	29857	27420	27420	27826	29248	22748	23358	23764	24982
			PLCR	ACRDRP	25770	26890	27264	27450	25209	25209	25583	26890	20915	21475	21848	22969
			ACCR	ACRFGL	27906	29119	29524	29726	27299	27299	27704	29119	22648	23255	23660	24873
			ACFR	ACRFGL	28092	29313	29720	29924	27481	27481	27888	29313	22799	23410	23817	25038
			PLCR	ACRFGL	25857	26982	27356	27544	25295	25295	25670	26982	20986	21548	21922	23047
			DALR	ALCON	24032	24366	24533	23031	22530	22530	22864	24032	18692	19192	19526	20527
			SALR	ALCON	26325	26690	26873	25228	24679	24679	25045	26325	20475	21023	21389	22486
			DALR	ALDRP	24004	24337	24504	23004	22504	22504	22837	24004	18670	19170	19503	20503
			SALR	ALDRP	26479	26847	27031	25376	24824	24824	25192	26479	20595	21147	21514	22618
			DALR	ALFGL	23497	23823	23987	22518	22029	22029	22355	23497	18276	18765	19091	20070
			SALR	ALFGL	26432	26799	26982	25330	24780	24780	25147	26432	20558	21109	21476	22577

OPERATIONAL DATA (continued)

Lumen Package	Input Watts	Ambient Rating	Reflector	Lens	Delivered Lumens											
					3000K CCT, 70CRI	3500K CCT, 70CRI	4000K CCT, 70CRI	5000K CCT, 70CRI	3000K CCT, 80CRI	3500K CCT, 80CRI	4000K CCT, 80CRI	5000K CCT, 80CRI	3000K CCT, 90CRI	3500K CCT, 90CRI	4000K CCT, 90CRI	5000K CCT, 90CRI
36000LM	249	-40°F (-40°C) - 113°F (45°C)	ACCR	-	34589	36093	36594	36845	33837	33837	34338	36093	28072	28824	29325	30829
			ACFR	-	34497	35997	36497	36747	33747	33747	34247	35997	27998	28748	29248	30748
			DALR	-	28902	30158	30577	30787	28274	28274	28692	30158	23457	24085	24504	25760
			PLCR	-	32214	33615	34082	34315	31514	31514	31981	33615	26145	26845	27312	28713
			SALR	-	31654	33030	33489	33718	30966	30966	31424	33030	25690	26378	26837	28213
			ACCR	ACRCON	32382	33790	34259	34494	31678	31678	32147	33790	26281	26985	27454	28862
			ACFR	ACRCON	32580	33997	34469	34705	31872	31872	32344	33997	26442	27150	27622	29039
			PLCR	ACRCON	30259	31574	32013	32232	29601	29601	30039	31574	24558	25215	25654	26970
			ACCR	ACRDRP	31973	33363	33826	34058	31278	31278	31741	33363	25949	26644	27107	28498
			ACFR	ACRDRP	32627	34046	34519	34755	31918	31918	32391	34046	26480	27189	27662	29081
			PLCR	ACRDRP	29997	31301	31736	31953	29345	29345	29780	31301	24345	24998	25432	26737
			ACCR	ACRFGL	32484	33896	34367	34602	31778	31778	32249	33896	26364	27070	27541	28953
			ACFR	ACRFGL	32700	34122	34595	34832	31989	31989	32463	34122	26539	27250	27724	29145
			PLCR	ACRFGL	30099	31408	31844	32062	29445	29445	29881	31408	24428	25083	25519	26827
			DALR	ALCON	27974	28363	28557	28809	26226	26226	26614	27974	21758	22341	22729	23895
			SALR	ALCON	30643	31069	31281	29366	28728	28728	29153	30643	23833	24472	24897	26174
			DALR	ALDRP	27941	28329	28524	26777	26195	26195	26583	27941	21732	22314	22702	23867
			SALR	ALDRP	30823	31251	31465	29539	28896	28896	29325	30823	23973	24615	25044	26328
			DALR	ALFGL	27352	27732	27922	26212	25642	25642	26022	27352	21274	21843	22223	23363
			SALR	ALFGL	30768	31195	31409	29486	28845	28845	29272	30768	23930	24571	24999	26281

UPLIGHT PERCENTAGES (*Based on 24,000LM 40K 80CRI)

Reflector Option	Flat Lens	Conical Lens	Drop Lens	L/Lens
ACFR	18.0%	17.0%	17.4%	13.1%
ACCR	7.2%	5.8%	7.4%	2.7%
PLCR	6.6%	5.0%	6.8%	2.2%
SALR	0.1%	0.1%	1.7%	0.0%
DALR	0.1%	0.1%	1.8%	0.1%

AO CHART

Lumen Package	AO Position	% Lumen Output		% Wattage		
		% Lumen Output	% Wattage	% Lumen Output	% Wattage	
9000LM	1	37%	38%			
	2	50%	49%			
	3	63%	62%			
	4	76%	74%			
	5	89%	87%			
	6	100%	100%			
	7	100%	100%			
	8	100%	100%			
12000LM	1	38%	36%			
	2	51%	48%			
	3	64%	60%			
	4	76%	74%			
	5	89%	87%			
	6	100%	100%			
	7	100%	100%			
	8	100%	100%			
18000LM	1	38%	36%			
	2	51%	48%			
	3	64%	61%			
	4	77%	74%			
18000LM	5	89%	87%			
	6	100%	100%			
	7	100%	100%			
	8	100%	100%			
	24000LM	1	38%	36%		
		2	51%	48%		
		3	64%	61%		
		4	77%	74%		
5		89%	87%			
6		100%	100%			
7		100%	100%			
8		100%	100%			
30000LM	1	38%	35%			
	2	51%	48%			
	3	64%	61%			
	4	77%	74%			
	5	89%	87%			
	6	100%	100%			
	7	100%	100%			
	8	100%	100%			
30000LM	1	39%	37%			
	2	52%	49%			
	3	65%	62%			
	4	77%	75%			
	5	89%	88%			
	6	100%	100%			
	7	100%	100%			
	8	100%	100%			
36000LM	1	39%	36%			
	2	53%	49%			
	3	66%	61%			
	4	78%	74%			
	5	90%	87%			
	6	100%	100%			
	7	100%	100%			
	8	100%	100%			

OPERATIONAL DATA (continued)

LUMEN MAINTENANCE TABLE

Lumen Package	25,000	35,000	50,000	60,000
9000LM	0.97	0.96	0.95	0.94
12000LM	0.97	0.96	0.95	0.94
15000LM	0.96	0.95	0.94	0.93
18000LM	0.96	0.95	0.94	0.93
24000LM	0.96	0.95	0.93	0.93
30000LM	0.95	0.94	0.93	0.92
36000LM	0.95	0.93	0.91	0.90

LAT TABLE VS. AMBIENT TEMPERATURE (C)

Lumen Package	25	30	35	40	45	50	55
9000LM	1.00	1.00	0.99	0.99	0.98	0.98	0.97
12000LM	1.00	1.00	0.99	0.98	0.98	0.97	0.97
15000LM	1.00	0.99	0.99	0.98	0.98	0.97	0.96
18000LM	1.00	0.98	0.98	0.97	0.96	0.96	0.95
24000LM	1.00	0.99	0.99	0.98	0.97	0.97	0.96
30000LM	1.00	0.99	0.99	0.98	0.97	0.97	
36000LM	1.00	0.99	0.99	0.98			

REFLECTORS AND LENSES



Aluminum reflector
Available specular (SALR) or diffuse (DALR)



Acrylic frosted reflector (ACFR)



Clear acrylic (ACCR) or polycarbonate reflector (PLCR)



Acrylic drop lens (ACDRDP)

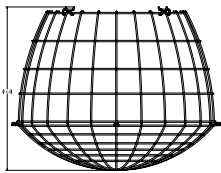


Flat prismatic lens (ALFGL)

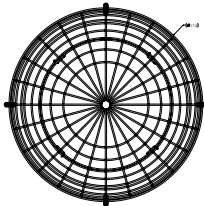


Conical lens (ALCON)

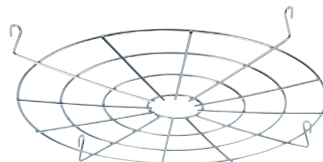
OPTIONS AND ACCESSORIES



Full Wire Guard (FWG)
All dimensions are in inches.



Wire Guard (WG)



Safety Cable (JCBLSC120 or JCBLSC240)



Cast Hook Female (JCBLHKF)

SELECTIONS BELOW WILL EXTEND ORDER LEAD TIME. CONSULT YOUR SALES REPRESENTATIVE FOR DETAILS.

SINGLE RELAY

ORDERING INFORMATION

Example: LAHOSZU

Series	Lens option	Dimming/Photocell	Max. dim level	Min. dim level	Temp/Humidity	Default occupancy time delay
L LSXR passive infrared indoor occupancy sensor	A High mount, 360°	O None ¹	0 10 VDC	5 Minimum dim level of ballast	Z None T Low temperature ²	I 30 sec
		H High/low occupancy operation	9 9 VDC	1 1 VDC		D 2.5 min
	B Low mount, 360°	P Switching photocell (on/off) ¹	8 8 VDC	2 2 VDC		X 5.0 min
		M Dimming and switching photocell	7 7 VDC	3 3 VDC		R 7.5 min
	C High mount aisleway	G Dimming and switching photocell with high/low occupancy operation		4 4 VDC		U 10.0 min (with minimum 15 minute on time)
				5 5 VDC		V 15.0 min
				6 6 VDC		W 20.0 min
				Y 30.0 min		

Notes

- 1 Max and min dim levels not applicable with this option.
- 2 Ambient temperature rating of -4°F (-20°C) to 131°F (55°C).

Example: LENS 50 J100

Replacement lenses: Order as separate catalog number.		
Series	Lens type	Package quantity
LENS	6 High mount 360°	[blank] Single Lens
	10 Low mount 360°	J10 10-pack
	50 High mount aisleway	J100 100-pack

Bluetooth Sensor

Model	Default Operation	LSXR Equivalent	Occupancy Time Delay	Photocell Mode	Photocell Set-point	Low Trim	High Trim	Dim to Off Time Delay
LSXBTP	On/Off Occupancy Only Disabled	LSXR 10 LT or LBOOSTU	10 minutes	Disabled	n/a	n/a	100%	Disabled
LSXBPHL	Occupancy w/ 0-10V Dimming (High/Low/Off)	LSXR 10 HL LT or LBHOSTU	10 minutes	Disabled	n/a	10%	100%	2.5 minutes
LSXBTPADC	Occupancy w/ Dim & Switch Photocell	LSXR 10 ADC LT or LBMOSTU	10 minutes	On/Off & Auto Dim	50 fc	10%	100%	0 seconds
LSXBTPANL	Dim & Switch Photocell with High/Low Occupancy Operation	LSXR 10 ANL LT or LBGOSTU	10 minutes	On/Off & Auto Dim	50 fc	10%	100%	Stay Dim/Never Off

SBG BTP Wireless Sensor: [Web Page](#) | [Presentation](#)

VLP Mobile App: [Web Page](#) | [Sell Sheet](#) | [FAQ](#) | [User Guide](#) | [Configuration Video](#)

PHOTOMETRICS

See www.lithonia.com.