

FEATURES & SPECIFICATIONS

INTENDED USE — Typical applications include corridors, lobbies, conference rooms and private offices.

CONSTRUCTION — Galvanized steel mounting/plaster frame; galvanized steel junction box with bottom-hinged access covers and spring latches. Reflectors are retained by torsion springs. Vertically adjustable mounting brackets with commercial bar hangers provide 3-3/4" total adjustment. Two combination 1/2"-3/4" and four 1/2" knockouts for straight-through conduit runs. Capacity: 8 (4 in, 4 out). No. 12 AWG conductors, rated for 90°C.

Accommodates 12"-24" joist spacing.

Passive cooling thermal management for 25°C standard. Light engine and drivers are accessible from above or below ceiling.

Ceiling thickness range 1/2" to 1-1/2".

OPTICS — 55° cutoff

1.0 S/MH standard (wallwash reflector available)

80CRI standard (90CRI optional)

ELECTRICAL — Adjustable lumen output with three module options.

MVOLT 120/277V 50/60Hz driver (0-10V & 120V Phase Dimming to 10% min dimming level). DALI driver dimming to 1% also available

100LPW typical

FCC CFR Title 47 Part 15 Class A for lower lumen range. FCC CFR Title 47 Part 15

Class B for higher lumen range.

L80 @ 60,000 hours

3 SDCM

LISTINGS — Certified to US and Canadian safety standards. Wet location, covered ceiling. Wallwash suitable for damp locations only. Some configurations are Energy Star certified, please visit www.energystar.gov for specific products.

WARRANTY — 5-year limited warranty. Complete warranty terms located at:

www.acuitybrands.com/support/warranty/terms-and-conditions

Note: Actual performance may differ as a result of end-user environment and application.

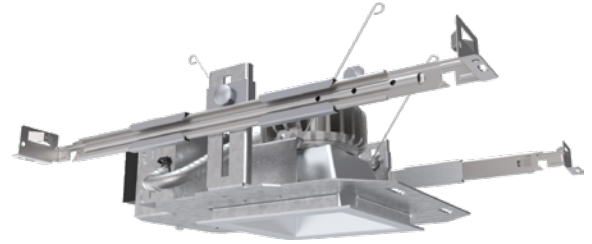
All values are design or typical values, measured under laboratory conditions at 25 °C.

Specifications subject to change without notice.

Catalog Number
Notes
Type

LDN4SQ SWITCHABLE

**4" OPEN
Non-IC
New Construction Downlight**



ORDERING INFORMATION

Lead times will vary depending on options selected. Consult with your sales representative.

Example: LDN4SQ ALO2 SWW1 LS4AR LSS MVOLT UGZ

Series	Lumens	Color temperature	Aperture/Trim Color	Reflector Flange	Finish	Voltage
LDN4SQ 4" Square	AL01 500/750/1000lm AL02 1000/1500/2000lm AL03 2000/2500/3000lm	SWW1 3000K-3500K-4000K-5000K	LS4 Downlight LSW4 Wallwash	AR Clear WR White painted BR Black painted	(blank) Self-flange TRW ¹ White TRBL ² Black	LSS Semi-specular LD Matte diffused LS Specular MVOLT 120V - 277V 347 347V step-down transformer supplied

Driver	Options
UGZ Universal dimming to 10% 0-10V; line voltage dimming (120V)	90CRI High CRI (90+)
DALI DALI dimming to 1%	AT Airtight
	EL ^{3,4} Batterypack (10W constant power) Non-T20 Compliant, integral test switch
	ELR ⁴ Batterypack (10W constant power) Non-T20 Compliant remote test switch
	E10WCP ^{3,4} Batterypack (10W constant power) T20 Compliant, integral test switch
	E10WCPR ⁴ Batterypack (10W constant power) T20 Compliant, remote test switch

Notes

- For use with Clear (AR) reflector finish only. Not applicable with WR (white reflector).
- For use with Clear (AR) reflector finish only. Not applicable with BR (Black reflector).
- Suitable for damp location only.
- Not available with 347V.

LDN4SQ SWW

PHOTOMETRY

LDN4SQ		80CRI							
Lumen Output	Wattage	30K/80CRI		35K/80CRI		40K/80CRI		50K/80CRI	
		Delivered Lumens	LPW	Delivered Lumens	LPW	Delivered Lumens	LPW	Delivered Lumens	LPW
ALO1 (500LM)	6	492	85	503	87	515	88	531	90
ALO1 (750LM)	9	778	88	796	89	815	91	840	93
ALO1 (1000LM)	13	1093	85	1118	86	1145	88	1180	90
ALO2 (1000LM)	13	1158	93	1185	95	1213	97	1251	99
ALO2 (1500LM)	19	1691	90	1730	92	1771	93	1826	96
ALO2 (2000LM)	25	2130	86	2179	87	2231	89	2300	91
ALO3 (2000LM)	25	2191	89	2242	90	2295	92	2366	94
ALO3 (2500LM)	32	2645	84	2707	86	2771	87	2857	89
ALO3 (3000LM)	38	3004	80	3074	81	3147	83	3244	85

LDN4SQ		90CRI							
Lumen Output	Wattage	30K/90CRI		35K/90CRI		40K/90CRI		50K/90CRI	
		Delivered Lumens	LPW	Delivered Lumens	LPW	Delivered Lumens	LPW	Delivered Lumens	LPW
ALO1 (500LM)	6	430	75	441	76	453	78	465	79
ALO1 (750LM)	9	680	77	699	78	717	80	735	81
ALO1 (1000LM)	13	955	74	981	76	1007	77	1033	78
ALO2 (1000LM)	13	1012	82	1040	83	1067	85	1095	86
ALO2 (1500LM)	19	1478	79	1518	80	1558	82	1598	84
ALO2 (2000LM)	25	1861	75	1912	76	1962	78	2013	79
ALO3 (2000LM)	25	1915	77	1967	79	2019	81	2071	82
ALO3 (2500LM)	32	2312	74	2375	75	2437	77	2500	78
ALO3 (3000LM)	38	2626	70	2697	71	2768	73	2839	74

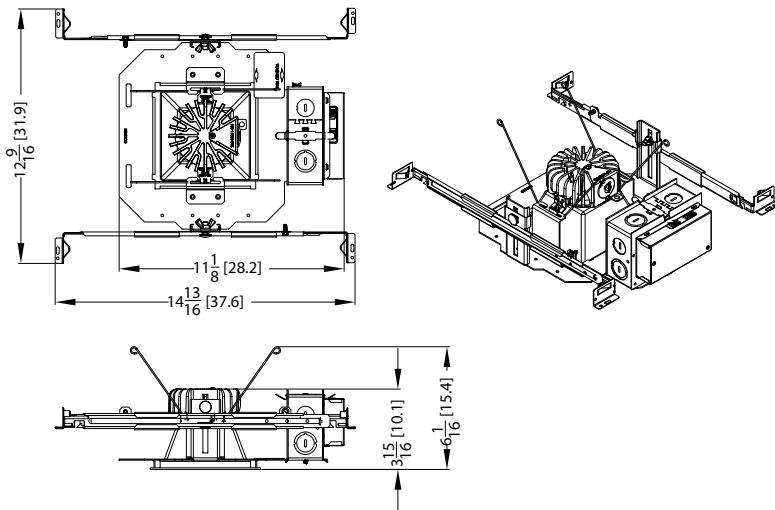
LDN4SQWW		80CRI							
Lumen Output	Wattage	30K/80CRI		35K/80CRI		40K/80CRI		50K/80CRI	
		Delivered Lumens	LPW	Delivered Lumens	LPW	Delivered Lumens	LPW	Delivered Lumens	LPW
ALO1 (500LM)	6	480	83	491	85	503	86	518	88
ALO1 (750LM)	9	760	85	777	87	796	88	821	91
ALO1 (1000LM)	13	1067	83	1091	84	1117	86	1152	88
ALO2 (1000LM)	13	1131	91	1157	93	1185	94	1221	96
ALO2 (1500LM)	19	1651	88	1689	90	1729	91	1783	93
ALO2 (2000LM)	25	2079	84	2127	85	2178	87	2246	89
ALO3 (2000LM)	25	2139	87	2189	88	2241	90	2310	92
ALO3 (2500LM)	32	2582	82	2642	84	2705	85	2789	87
ALO3 (3000LM)	38	2933	78	3001	79	3072	81	3168	83

LDN4SQWW		90CRI							
Lumen Output	Wattage	30K/90CRI		35K/90CRI		40K/90CRI		50K/90CRI	
		Delivered Lumens	LPW	Delivered Lumens	LPW	Delivered Lumens	LPW	Delivered Lumens	LPW
ALO1 (500LM)	6	420	73	431	74	442	76	454	77
ALO1 (750LM)	9	664	75	682	76	700	78	718	79
ALO1 (1000LM)	13	932	72	958	74	983	75	1008	77
ALO2 (1000LM)	13	988	80	1015	81	1042	83	1069	84
ALO2 (1500LM)	19	1443	77	1482	79	1521	80	1560	82
ALO2 (2000LM)	25	1817	73	1866	75	1916	76	1965	78
ALO3 (2000LM)	25	1870	76	1920	77	1971	79	2022	80
ALO3 (2500LM)	32	2257	72	2318	73	2379	75	2441	76
ALO3 (3000LM)	38	2563	68	2633	70	2702	71	2772	72

LDN4SQ SWW

* All dimensions are inches (centimeters) unless otherwise noted.

LDN4SQ SWW1 500-3000LM



LDN4SQ SWW1 IC RATING	
AL01	NON-IC
AL02	NON-IC
AL03	MARKED SPACING 18 X 18 X8

LUMEN OUTPUT MULTIPLIERS - FINISH	
Specular (LS)	1.05
Semi-specular (LSS)	1.00
Matte diffuse (LD)	0.85

LUMEN OUTPUT MULTIPLIERS - CCT			
3000K	3500K	4000K	5000K
0.98	1.0	1.01	1.03

HOW TO ESTIMATE DELIVERED LUMENS IN EMERGENCY MODE

Use the formula below to estimate the delivered lumens in emergency mode

$$\text{Delivered Lumens} = 1.25 \times P \times \text{LPW}$$

P = Output power of emergency driver. P = 10W for PS1055CP

LPW = Lumen per watt rating of the luminaire. This information is available on the ABL luminaire spec sheet.

The LPW rating is also available at Designlight Consortium.

Notes

- Tested in accordance with IESNA LM-79-08.
- Tested to current IES and NEMA standards under stabilized laboratory conditions.
- CRI: 80 typical.

DIMMER COMPATIBILITY

Not compatible with DALI or DMX dimmers. For specific compatible dimmers see below.

COMPATIBLE LINE VOLTAGE DIMMERS:					
TYPE	FORWARD PHASE	S (500-1000LM)	M (1000-2000LM)	L (2000-3000LM)	COMMENT
MLV	Lutron Glyder GLV-600	YES	YES	YES	
INC	Leviton SureSlide 6633	YES	YES	YES	
MLV	Lutron Diva DVLV-600P	YES	YES	YES	
MLV	Lutron Skylark SLV-600P	YES	YES	YES	
INC	Lutron RadioRA 2 10ND	YES	YES	YES	
MLV	Leviton SureSlide 6613-PLW	YES	YES	YES	
INC	Lutron Diva DVCL-153P	YES	YES	YES	
MLV	Leviton IPM06	YES, 2x *	YES	YES	* min 2 fixtures
INC	Leviton IPI06	YES, 2x *	YES	YES	* min 2 fixtures
MLV	Synergy ISD 600LV	YES, 2x *	YES	YES	* min 2 fixtures
INC	Synergy ISD 600 I	YES, 2x *	YES	YES	* min 2 fixtures
INC	CONTROL4 C4-FPD 120	YES	YES	YES	

Type	Reverse Phase Dimmer Bank	S (500-1000lm)	M (1000-2000lm)	L (2000-3000lm)	
ELV	Lutron Nova T NTELV-600	YES	YES	YES	
ELV	Lutron Diva DVELV 600P	YES	YES	YES	
ELV	Lutron Maestro MAELV 600	YES	YES	YES	
ELV	Leviton Vizia VPE06-1LX	YES	YES	YES	
ELV	Leviton Illumatech IPE04	YES	YES	YES	
ELV	CONTROL4 C4-APD 120 REVERSE PHASE	YES	YES	YES	

Type	Miscellaneous Dimmers	S (500-1000lm)	M (1000-2000lm)	L (2000-3000lm)	
PHA	LUTRON RADIORA2 RRD-6NA	YES	YES	YES	
PHA	Lutron Maestro PRO LED+ RRD-PRO	YES	YES	YES	

Type	Control Systems	S (500-1000lm)	M (1000-2000lm)	L (2000-3000lm)	
MLV	Lutron LP-RPM-4U	YES	YES	YES	
PHA	Lutron LP-RPM-4A	YES	YES	YES	
MLV	Lutron GRAPHIC EYE QSGRJ-3P	YES	YES	YES	
PHA	Lutron PA Power Module PHPM-PA-120	YES	YES	YES	
ELV	Lutron nLight nSPSPCD ELV	YES	YES	YES	

COMPATIBLE 0-10V DIMMERS:						
MANUFACTURER	SYSTEM TYPE	DESCRIPTION	P/N	S (500-1000LM)	M (1000-2000LM)	L (2000-3000LM)
Lutron	Other	0-10V (sink or source) PowPak wireless dimming module	RMJ-5T-DV-B	YES	YES	YES
Wattstopper	Control System	Digital single relay room controller (0-10V)	LMRC-211	YES	YES	YES
Crestron	Control System	DIN Rail 0-10V fluorescent dimmer, 4 feeds, 4 channels (Green Light System)	DIN-4DIMFLV4	YES	YES	YES
Lutron	Other	Grafik Eye 0-10V adapter	GRX-TVI	YES	YES	YES
Leviton	Wall Box	Illumatech 0-10V	IP710-DLX	YES	YES	YES
Lutron	Control System	Mounted in the Homeworks QS panel - 0-10V dimmer (sink or source)	GRX-TVM2	YES	YES	YES
Lutron	Wall Box	Nova 0-10V wallbox dimmer (use with PP-120-H line voltage relay)	NTFTV	YES	YES	YES
Lutron	Wall Box	Nova 0-10V wallbox dimmer (use with PP-120-H line voltage relay)	NTSTV-DV	YES	YES	YES
Lutron	Wall Box	Nova T	NFTV	YES	YES	YES
Leviton	Wall Box	Renior II 0-10V	AWSMG-7DW	YES	YES	YES
ACUITY	Wall Box	sensorswitch, wall switch sensor, occupancy controlled dimming	WSX D WH	YES	YES	YES
ACUITY	Control System	nLight	nPP16D	YES	YES	YES
ACUITY	Control System	nLight	nPS 80 EZ	YES	YES	YES
ACUITY	Control System	nLight Air	rPP20 D	YES	YES	YES

A+ Capable Luminaire

This item is an A+ capable luminaire, which has been designed and tested to provide consistent color appearance and out-of-the-box control compatibility with simple commissioning.

- All configurations of this luminaire meet the Acuity Brands' specification for chromatic consistency
- This luminaire is part of an A+ Certified solution for nLight® control networks when ordered with drivers marked by a shaded background*
- This luminaire is part of an A+ Certified solution for nLight control networks, providing advanced control functionality at the luminaire level, when selection includes driver and control options marked by a shaded background*

To learn more about A+, visit www.acuitybrands.com/aplus.

*See ordering tree for details