

FEATURES & SPECIFICATIONS

INTENDED USE — Typical applications include corridors, lobbies, conference rooms and private offices.

CONSTRUCTION — Galvanized steel mounting/plaster frame; galvanized steel junction box with bottom-hinged access covers and spring latches. Reflectors are retained by torsion springs. Vertically adjustable mounting brackets with commercial bar hangers provide 3-3/4" total adjustment. Two combination 1/2"-3/4" and four 1/2" knockouts for straight-through conduit runs. Capacity: 8 (4 in, 4 out). No. 12 AWG conductors, rated for 90°C.

Accommodates 12"-24" joist spacing.

Passive cooling thermal management for 25°C standard. Light engine and drivers are accessible from above or below ceiling.

Ceiling thickness range 1/2" to 1-1/2".

OPTICS — 55° cutoff

1.0 S/MH standard (wallwash reflector available)

80CRI standard (90CRI optional)

ELECTRICAL — Adjustable lumen output with three module options.

MVOLT 120/277V 50/60Hz driver (0-10V & 120V Phase Dimming to 10% min dimming level). DALI driver dimming to 1% also available

100LPW typical

FCC CFR Title 47 Part 15 Class A for 277V. FCC CFR Title 47 Part 15 Class B for 120V.

L80 @ 60,000 hours

3 SDCM

LISTINGS — Certified to US and Canadian safety standards. Title 24 compliant (90CRI, up to 1000lm) Wet location, covered ceiling. Wallwash suitable for damp locations only. Some configurations are Energy Star certified, please visit www.energystar.gov for specific products.

WARRANTY — 5-year limited warranty. Complete warranty terms located at:

www.acuitybrands.com/support/warranty/terms-and-conditions

Note: Actual performance may differ as a result of end-user environment and application.

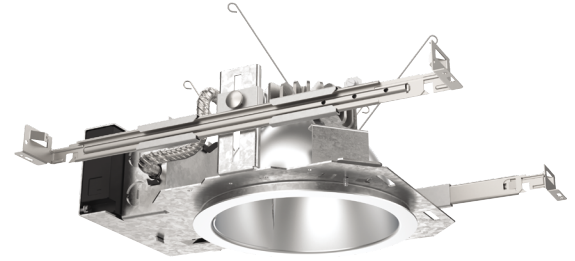
All values are design or typical values, measured under laboratory conditions at 25 °C.

Specifications subject to change without notice.

Catalog Number
Notes
Type

LDN6 SWITCHABLE

6" OPEN
New Construction Downlight



ORDERING INFORMATION

Lead times will vary depending on options selected. Consult with your sales representative.

Example: LDN6 AL02 SWW1 L06AR LSS MVOLT UGZ

LDN6		Color temperature		Aperture/Trim Color		Reflector Flange		Finish		Voltage		
Series LDN6 6" Round	AL01	500/750/1000lm	SWW1	3000K-3500K-4000K-5000K	L06 Downlight	AR Clear	(blank) Self-flange	LSS Semi-specular	MVOLT 120V - 277V	347V step-down transformer supplied		
	AL02	1000/1500/2000lm	Fixed CCT		LW6 Wallwash	WR White painted	TRW ¹ White	LD Matte diffused	347V			
	AL03	2000/2500/3000lm			BR Black painted	TRBL ² Black	LS Specular					
	Fixed Lumen Output				30K 3000K							
	05LM	500lm			35K 3500K							
	07LM	750lm			40K 4000K							
	10LM	1000lm			50K 5000K							
	15LM	1500lm										
	20LM	2000lm										
	25LM	2500lm										
	30LM	3000lm										

Driver	Options	nLight Options
UGZ Universal dimming to 10% 0-10V; line voltage dimming (120V)	90CRI High CRI (90+)	NPP16D ⁷ nLight [®] network power/relay pack with 0-10V dimming
DALI DALI dimming to 1%	AT Airtight (IP55)	NPP16DER ⁸ nLight [®] network power/relay pack with 0-10V dimming; ER controls fixtures on emergency circuit.
D10 Minimum dimming 10% driver for use with JOT	CP ⁵ Chicago Plenum	NLTAIR2 ⁹ nLight [®] Air enabled
D1 Minimum dimming 1% driver for use with JOT	EL ^{3,4} Batterypack (10W constant power) Non-T20 Compliant, integral test switch	NLTAIRER2 ¹⁰ nLight [®] AIR Dimming Pack Wireless Controls. Controls fixtures on emergency circuit
	ELR ⁴ Batterypack (10W constant power) Non-T20 Compliant remote test switch	NLTAIREM2 ¹¹ nLight [®] AIR Dimming Pack Wireless Controls. UL924 Emergency Operation, via power interrupt detection.
	E10WCP ^{3,4} Batterypack (10W constant power) T20 Compliant, integral test switch	
	E10WCPR ⁴ Batterypack (10W constant power) T20 Compliant, remote test switch	
	JOT ⁶ Wireless room control with "Just One Touch" pairing	

Notes

- For use with Clear (AR) reflector finish only. Not applicable with WR (white reflector).
- For use with Clear (AR) reflector finish only. Not applicable with BR (Black reflector).
- Suitable for damp location only.
- Not available with 347V.
- Not available with Dali & AL03. Not available with emergency battery packs. Not available with 347 voltage.
- Available fixed CCT / lumens only. Only available D10 or D1 drivers. Not recommended for use in metal ceilings.
- Not available with CP, DALI, D1, OR D10 drivers. 120V OR 277V only.
- Not available with CP, ELR, E10WCPR, DALI, D1, OR D10 drivers. 120V OR 277V only. Will require an emergency hot feed and normal hot feed.
- Not available with CP, DALI, D1, OR D10 drivers. Not recommended for metal ceiling installations.
- Not available with CP, ELR, E10WCPR, DALI, D1, OR D10 drivers. Not recommended for metal ceiling installations.
- Not available with CP, ELR, E10WCPR, DALI, D1, OR D10 drivers. Not recommended for metal ceiling installations.

LDN6 SWW

PHOTOMETRY

LDN6		80CRI							
Lumen Output	Wattage	30K/80CRI		35K/80CRI		40K/80CRI		50K/80CRI	
		Delivered Lumens	LPW	Delivered Lumens	LPW	Delivered Lumens	LPW	Delivered Lumens	LPW
ALO1 (500LM)	6	605	100	615	101	623	102	630	102
ALO1 (750LM)	9	909	101	925	102	936	103	948	104
ALO1 (1000LM)	13	1268	98	1290	99	1306	100	1322	100
ALO2 (1000LM)	12	1360	112	1383	113	1400	113	1418	114
ALO2 (1500LM)	19	2004	108	2038	109	2063	110	2089	110
ALO2 (2000LM)	25	2547	103	2590	104	2622	104	2655	105
ALO3 (2000LM)	25	2655	106	2700	107	2733	108	2768	108
ALO3 (2500LM)	32	3214	101	3269	102	3309	103	3351	103
ALO3 (3000LM)	38	3670	96	3732	97	3778	98	3825	98

LDN6		90CRI							
Lumen Output	Wattage	30K/90CRI		35K/90CRI		40K/90CRI		50K/90CRI	
		Delivered Lumens	LPW	Delivered Lumens	LPW	Delivered Lumens	LPW	Delivered Lumens	LPW
ALO1 (500LM)	6	525	87	540	89	554	90	568	92
ALO1 (750LM)	9	790	88	811	90	833	92	854	93
ALO1 (1000LM)	13	1102	85	1132	87	1162	89	1191	90
ALO2 (1000LM)	12	1181	97	1213	99	1245	101	1277	103
ALO2 (1500LM)	19	1741	94	1788	96	1835	98	1882	99
ALO2 (2000LM)	25	2212	89	2272	91	2332	93	2392	95
ALO3 (2000LM)	25	2306	92	2369	94	2431	96	2494	97
ALO3 (2500LM)	32	2792	88	2868	89	2944	91	3019	93
ALO3 (3000LM)	38	3188	83	3274	85	3361	87	3447	88

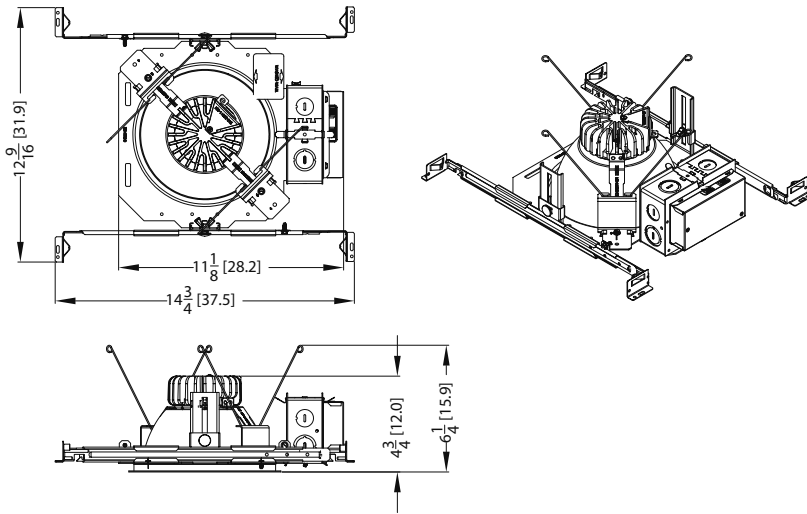
LDN6WW		80CRI							
Lumen Output	Wattage	30K/80CRI		35K/80CRI		40K/80CRI		50K/80CRI	
		Delivered Lumens	LPW	Delivered Lumens	LPW	Delivered Lumens	LPW	Delivered Lumens	LPW
ALO1 (500LM)	6	602	100	612	101	620	101	628	102
ALO1 (750LM)	9	905	101	921	102	932	103	944	103
ALO1 (1000LM)	13	1263	98	1284	99	1300	99	1316	100
ALO2 (1000LM)	12	1354	111	1377	112	1394	113	1411	113
ALO2 (1500LM)	19	1995	108	2029	109	2054	109	2080	110
ALO2 (2000LM)	25	2536	102	2579	103	2610	104	2643	104
ALO3 (2000LM)	25	2643	105	2688	106	2721	107	2755	108
ALO3 (2500LM)	32	3200	100	3255	101	3294	102	3336	103
ALO3 (3000LM)	38	3654	96	3716	97	3761	97	3808	98

LDN6WW		90CRI							
Lumen Output	Wattage	30K/90CRI		35K/90CRI		40K/90CRI		50K/90CRI	
		Delivered Lumens	LPW	Delivered Lumens	LPW	Delivered Lumens	LPW	Delivered Lumens	LPW
ALO1 (500LM)	6	523	86	537	88	551	90	566	92
ALO1 (750LM)	9	787	88	808	89	829	91	850	93
ALO1 (1000LM)	13	1097	85	1127	87	1156	88	1186	90
ALO2 (1000LM)	12	1176	96	1208	98	1240	100	1272	102
ALO2 (1500LM)	19	1733	93	1780	95	1827	97	1874	99
ALO2 (2000LM)	25	2203	89	2262	91	2322	92	2382	94
ALO3 (2000LM)	25	2296	91	2358	93	2421	95	2483	97
ALO3 (2500LM)	32	2780	87	2855	89	2931	91	3006	93
ALO3 (3000LM)	38	3174	83	3260	85	3346	86	3432	88

LDN6 SWW

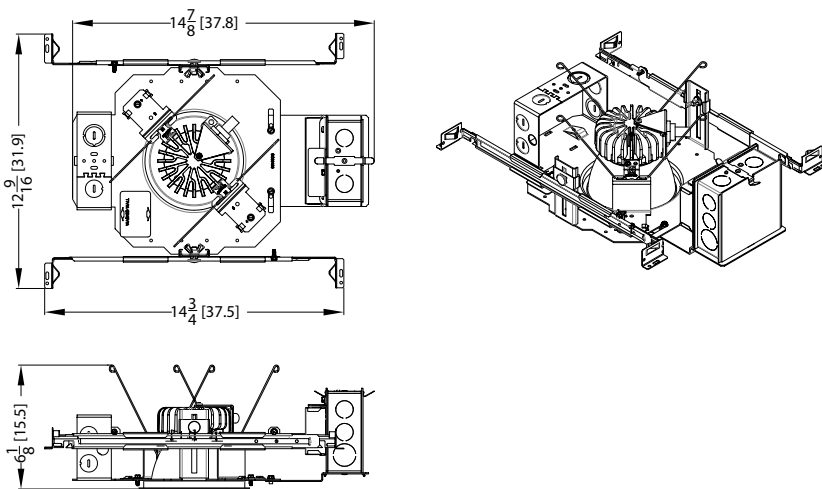
* All dimensions are inches (centimeters) unless otherwise noted.

LDN6 SWW1 500-3000LM



LDN6 SWW1 IC RATING	
AL01	IC
AL02	NON-IC
AL03	NON-IC

LDN6 SWW1 CP 500-3000LM



LUMEN OUTPUT MULTIPLIERS - FINISH	
Specular (LS)	1.05
Semi-specular (LSS)	1.00
Matte diffuse (LD)	0.85

LUMEN OUTPUT MULTIPLIERS - CCT			
3000K	3500K	4000K	5000K
0.98	1.0	1.01	1.03

HOW TO ESTIMATE DELIVERED LUMENS IN EMERGENCY MODE

Use the formula below to estimate the delivered lumens in emergency mode

Delivered Lumens = 1.25 x P x LPW

P = Output power of emergency driver. P = 10W for PS1055CP

LPW = Lumen per watt rating of the luminaire. This information is available on the ABL luminaire spec sheet.

The LPW rating is also available at Designlight Consortium.

Notes

- Tested in accordance with IESNA LM-79-08.
- Tested to current IES and NEMA standards under stabilized laboratory conditions.
- CRI: 80 typical.

DIMMER COMPATIBILITY

Not compatible with DALI or DMX dimmers. For specific compatible dimmers see below.

COMPATIBLE LINE VOLTAGE DIMMERS:					
TYPE	FORWARD PHASE	S (500-1000LM)	M (1000-2000LM)	L (2000-3000LM)	COMMENT
MLV	Lutron Glyder GLV-600	YES	YES	YES	
INC	Leviton SureSlide 6633	YES	YES	YES	
MLV	Lutron Diva DVLV-600P	YES	YES	YES	
MLV	Lutron Skylark SLV-600P	YES	YES	YES	
INC	Lutron RadioRA 2 10ND	YES	YES	YES	
MLV	Leviton SureSlide 6613-PLW	YES	YES	YES	
INC	Lutron Diva DVCL-153P	YES	YES	YES	
MLV	Leviton IPM06	YES, 2x *	YES	YES	* min 2 fixtures
INC	Leviton IPI06	YES, 2x *	YES	YES	* min 2 fixtures
MLV	Synergy ISD 600LV	YES, 2x *	YES	YES	* min 2 fixtures
INC	Synergy ISD 600 I	YES, 2x *	YES	YES	* min 2 fixtures
INC	CONTROL4 C4-FPD 120	YES	YES	YES	

Type	Reverse Phase Dimmer Bank	S (500-1000lm)	M (1000-2000lm)	L (2000-3000lm)	
ELV	Lutron Nova T NTELV-600	YES	YES	YES	
ELV	Lutron Diva DVELV 600P	YES	YES	YES	
ELV	Lutron Maestro MAELV 600	YES	YES	YES	
ELV	Leviton Vizia VPE06-1LX	YES	YES	YES	
ELV	Leviton Illumatech IPE04	YES	YES	YES	
ELV	CONTROL4 C4-APD 120 REVERSE PHASE	YES	YES	YES	

Type	Miscellaneous Dimmers	S (500-1000lm)	M (1000-2000lm)	L (2000-3000lm)	
PHA	LUTRON RADIORA2 RRD-6NA	YES	YES	YES	
PHA	Lutron Maestro PRO LED+ RRD-PRO	YES	YES	YES	

Type	Control Systems	S (500-1000lm)	M (1000-2000lm)	L (2000-3000lm)	
MLV	Lutron LP-RPM-4U	YES	YES	YES	
PHA	Lutron LP-RPM-4A	YES	YES	YES	
MLV	Lutron GRAPHIC EYE QSQRJ-3P	YES	YES	YES	
PHA	Lutron PA Power Module PPHM-PA-120	YES	YES	YES	
ELV	Lutron nLight nSPSPCD ELV	YES	YES	YES	

COMPATIBLE 0-10V DIMMERS:						
MANUFACTURER	SYSTEM TYPE	DESCRIPTION	P/N	S (500-1000LM)	M (1000-2000LM)	L (2000-3000LM)
Lutron	Other	0-10V (sink or source) PowPak wireless dimming module	RMJ-5T-DV-B	YES	YES	YES
Wattstopper	Control System	Digital single relay room controller (0-10V)	LMRC-211	YES	YES	YES
Crestron	Control System	DIN Rail 0-10V fluorescent dimmer, 4 feeds, 4 channels (Green Light System)	DIN-4DIMFLV4	YES	YES	YES
Lutron	Other	Grafik Eye 0-10V adapter	GRX-TVI	YES	YES	YES
Leviton	Wall Box	Illumatech 0-10V	IP710-DLX	YES	YES	YES
Lutron	Control System	Mounted in the Homeworks QS panel - 0-10V dimmer (sink or source)	GRX-TVM2	YES	YES	YES
Lutron	Wall Box	Nova 0-10V wallbox dimmer (use with PP-120-H line voltage relay)	NTFTV	YES	YES	YES
Lutron	Wall Box	Nova 0-10V wallbox dimmer (use with PP-120-H line voltage relay)	NTSTV-DV	YES	YES	YES
Lutron	Wall Box	Nova T	NFTV	YES	YES	YES
Leviton	Wall Box	Renior II 0-10V	AWSMG-7DW	YES	YES	YES
ACUITY	Wall Box	sensorswitch, wall switch sensor, occupancy controlled dimming	WSX D WH	YES	YES	YES
ACUITY	Control System	nLight	nPP16D	YES	YES	YES
ACUITY	Control System	nLight	nPS 80 EZ	YES	YES	YES
ACUITY	Control System	nLight Air	rPP20 D	YES	YES	YES

A+ Capable Luminaire

This item is an A+ capable luminaire, which has been designed and tested to provide consistent color appearance and out-of-the-box control compatibility with simple commissioning.

- All configurations of this luminaire meet the Acuity Brands' specification for chromatic consistency
- This luminaire is part of an A+ Certified solution for nLight® control networks when ordered with drivers marked by a shaded background*
- This luminaire is part of an A+ Certified solution for nLight control networks, providing advanced control functionality at the luminaire level, when selection includes driver and control options marked by a shaded background*

To learn more about A+, visit www.acuitybrands.com/aplus.

*See ordering tree for details