

## FEATURES & SPECIFICATIONS

**INTENDED USE** — Typical applications include corridors, lobbies, conference rooms and private offices.

**CONSTRUCTION** — Galvanized steel mounting/plaster frame; galvanized steel junction box with bottom-hinged access covers and spring latches. Reflectors are retained by torsion springs. Vertically adjustable mounting brackets with commercial bar hangers provide 3-3/4" total adjustment. Two combination 1/2"-3/4" and four 1/2" knockouts for straight-through conduit runs. Capacity: 8 (4 in, 4 out). No. 12 AWG conductors, rated for 90°C.

Accommodates 12"-24" joist spacing.

Passive cooling thermal management for 25°C standard. Light engine and drivers are accessible from above or below ceiling.

Ceiling thickness range 1/2" to 1-1/2".

**OPTICS** — 55° cutoff

1.0 S/MH standard (wallwash reflector available)

80CRI standard (90CRI optional)

**ELECTRICAL** — Adjustable lumen output with three module options.

MVOLT 120/277V 50/60Hz driver (0-10V & 120V Phase Dimming to 10% min dimming level). DALI driver dimming to 1% also available

100LPW typical

FCC CFR Title 47 Part 15 Class A for lower lumen range. FCC CFR Title 47 Part 15

Class B for higher lumen range.

L80 @ 60,000 hours

3 SDCM

**LISTINGS** — Certified to US and Canadian safety standards. Wet location, covered ceiling. Wallwash suitable for damp locations only. Some configurations are Energy Star certified, please visit [www.energystar.gov](http://www.energystar.gov) for specific products.

**WARRANTY** — 5-year limited warranty. Complete warranty terms located at:

[www.acuitybrands.com/support/warranty/terms-and-conditions](http://www.acuitybrands.com/support/warranty/terms-and-conditions)

**Note:** Actual performance may differ as a result of end-user environment and application.

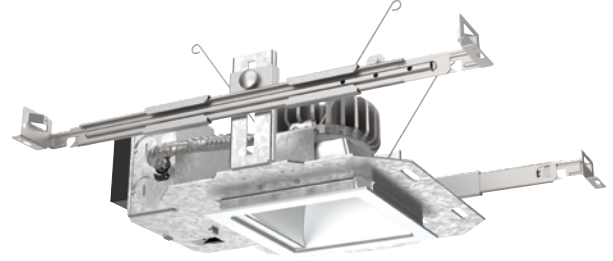
All values are design or typical values, measured under laboratory conditions at 25 °C.

Specifications subject to change without notice.

Catalog Number
Notes
Type

# LDN6SQ SWITCHABLE

**6" OPEN  
Non-IC  
New Construction Downlight**



### ORDERING INFORMATION

Lead times will vary depending on options selected. Consult with your sales representative.

**Example:** LDN6SQ ALO2 SWW1 LS6AR LSS MVOLT UGZ

LDN6SQ		Lumens		Color temperature		Aperture/Trim Color		Reflector Flange		Finish		Voltage		
Series	LDN6SQ 6" Square	ALO1	500/750/1000lm	SWW1	3000K-3500K-4000K-5000K	LS6	Downlight	AR	Clear	(blank)	Self-flange	LSS	Semi-specular	MVOLT 120V - 277V
		ALO2	1000/1500/2000lm			LSW6	Wallwash	WR	White painted	TRW <sup>1</sup>	White	LD	Matte diffused	347 347V
		ALO3	2000/2500/3000lm					BR	Black painted	TRBL <sup>2</sup>	Black	LS	Specular	step-down transformer supplied

Driver	Options
UGZ Universal dimming to 10% 0-10V; line voltage dimming (120V)	90CRI High CRI (90+)
DALI DALI dimming to 1%	AT Airtight
	EL <sup>3,4</sup> Batterypack (10W constant power) Non-T20 Compliant, integral test switch
	ELR <sup>4</sup> Batterypack (10W constant power) Non-T20 Compliant remote test switch
	E10WCP <sup>3,4</sup> Batterypack (10W constant power) T20 Compliant, integral test switch
	E10WCPR <sup>4</sup> Batterypack (10W constant power) T20 Compliant, remote test switch

### Notes

- For use with Clear (AR) reflector finish only. Not applicable with WR (white reflector).
- For use with Clear (AR) reflector finish only. Not applicable with BR (Black reflector).
- Suitable for damp location only.
- Not available with 347V.

# LDN6SQ SWW

## PHOTOMETRY

LDN6SQ		80CRI							
Lumen Output	Wattage	30K/80CRI		35K/80CRI		40K/80CRI		50K/80CRI	
		Delivered Lumens	LPW	Delivered Lumens	LPW	Delivered Lumens	LPW	Delivered Lumens	LPW
ALO1 (500LM)	6	509	84	518	85	524	86	531	86
ALO1 (750LM)	9	765	85	778	86	788	87	798	87
ALO1 (1000LM)	13	1068	83	1086	83	1099	84	1113	84
ALO2 (1000LM)	12	1145	94	1164	95	1178	95	1193	96
ALO2 (1500LM)	19	1687	91	1715	92	1736	92	1758	93
ALO2 (2000LM)	25	2143	86	2180	87	2207	88	2234	88
ALO3 (2000LM)	25	2235	89	2272	90	2300	91	2329	91
ALO3 (2500LM)	32	2705	85	2751	86	2785	86	2820	87
ALO3 (3000LM)	38	3089	81	3141	82	3180	82	3220	83

LDN6SQ		90CRI							
Lumen Output	Wattage	30K/90CRI		35K/90CRI		40K/90CRI		50K/90CRI	
		Delivered Lumens	LPW	Delivered Lumens	LPW	Delivered Lumens	LPW	Delivered Lumens	LPW
ALO1 (500LM)	6	442	73	454	75	466	76	478	78
ALO1 (750LM)	9	665	74	683	76	701	77	719	79
ALO1 (1000LM)	13	927	72	953	73	978	75	1003	76
ALO2 (1000LM)	12	994	82	1021	83	1048	85	1075	86
ALO2 (1500LM)	19	1465	79	1505	81	1545	82	1584	84
ALO2 (2000LM)	25	1862	75	1912	77	1963	78	2013	80
ALO3 (2000LM)	25	1941	77	1994	79	2046	81	2099	82
ALO3 (2500LM)	32	2350	74	2414	75	2477	77	2541	78
ALO3 (3000LM)	38	2683	70	2756	72	2828	73	2901	74

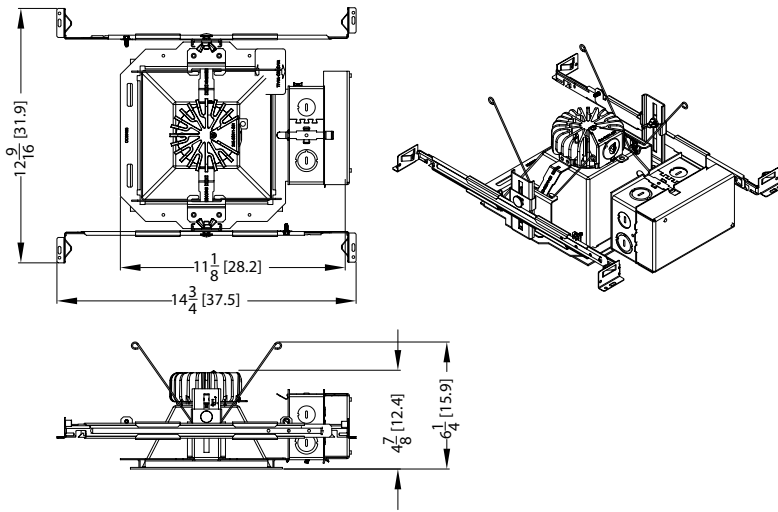
LDN6SQWW		80CRI							
Lumen Output	Wattage	30K/80CRI		35K/80CRI		40K/80CRI		50K/80CRI	
		Delivered Lumens	LPW	Delivered Lumens	LPW	Delivered Lumens	LPW	Delivered Lumens	LPW
ALO1 (500LM)	6	508	84	516	85	523	85	529	86
ALO1 (750LM)	9	763	85	776	86	786	87	796	87
ALO1 (1000LM)	13	1065	82	1083	83	1096	84	1110	84
ALO2 (1000LM)	12	1141	94	1161	95	1175	95	1190	96
ALO2 (1500LM)	19	1682	91	1710	92	1731	92	1753	93
ALO2 (2000LM)	25	2137	86	2174	87	2200	88	2228	88
ALO3 (2000LM)	25	2228	89	2266	90	2294	90	2323	91
ALO3 (2500LM)	32	2698	85	2743	86	2777	86	2812	87
ALO3 (3000LM)	38	3080	81	3132	81	3170	82	3210	82

LDN6SQWW		90CRI							
Lumen Output	Wattage	30K/90CRI		35K/90CRI		40K/90CRI		50K/90CRI	
		Delivered Lumens	LPW	Delivered Lumens	LPW	Delivered Lumens	LPW	Delivered Lumens	LPW
ALO1 (500LM)	6	441	73	453	74	465	76	477	77
ALO1 (750LM)	9	663	74	681	75	699	77	717	78
ALO1 (1000LM)	13	925	72	950	73	975	75	1000	76
ALO2 (1000LM)	12	991	81	1018	83	1045	85	1072	86
ALO2 (1500LM)	19	1461	79	1500	80	1540	82	1580	83
ALO2 (2000LM)	25	1857	75	1907	76	1957	78	2008	79
ALO3 (2000LM)	25	1935	77	1988	79	2040	80	2093	82
ALO3 (2500LM)	32	2343	74	2407	75	2470	77	2534	78
ALO3 (3000LM)	38	2675	70	2748	71	2820	73	2893	74

# LDN6SQ SWW

\* All dimensions are inches (centimeters) unless otherwise noted.

## LDN6SQ SWW1 500-3000LM



LDN6SQ SWW1 IC RATING	
AL01	NON-IC
AL02	NON-IC
AL03	MARKED SPACING 18 X 18 X8

LUMEN OUTPUT MULTIPLIERS - FINISH	
Specular (LS)	1.05
Semi-specular (LSS)	1.00
Matte diffuse (LD)	0.85

LUMEN OUTPUT MULTIPLIERS - CCT			
3000K	3500K	4000K	5000K
0.98	1.0	1.01	1.03

### HOW TO ESTIMATE DELIVERED LUMENS IN EMERGENCY MODE

Use the formula below to estimate the delivered lumens in emergency mode

$$\text{Delivered Lumens} = 1.25 \times P \times \text{LPW}$$

P = Output power of emergency driver. P = 10W for PS1055CP

LPW = Lumen per watt rating of the luminaire. This information is available on the ABL luminaire spec sheet.

The LPW rating is also available at [Designlight Consortium](http://Designlight Consortium).

### Notes

- Tested in accordance with IESNA LM-79-08.
- Tested to current IES and NEMA standards under stabilized laboratory conditions.
- CRI: 80 typical.

## DIMMER COMPATIBILITY

Not compatible with DALI or DMX dimmers. For specific compatible dimmers see below.

COMPATIBLE LINE VOLTAGE DIMMERS:					
TYPE	FORWARD PHASE	S (500-1000LM)	M (1000-2000LM)	L (2000-3000LM)	COMMENT
MLV	Lutron Glyder GLV-600	YES	YES	YES	
INC	Leviton SureSlide 6633	YES	YES	YES	
MLV	Lutron Diva DVLV-600P	YES	YES	YES	
MLV	Lutron Skylark SLV-600P	YES	YES	YES	
INC	Lutron RadioRA 2 10ND	YES	YES	YES	
MLV	Leviton SureSlide 6613-PLW	YES	YES	YES	
INC	Lutron Diva DVCL-153P	YES	YES	YES	
MLV	Leviton IPM06	YES, 2x *	YES	YES	* min 2 fixtures
INC	Leviton IPI06	YES, 2x *	YES	YES	* min 2 fixtures
MLV	Synergy ISD 600LV	YES, 2x *	YES	YES	* min 2 fixtures
INC	Synergy ISD 600 I	YES, 2x *	YES	YES	* min 2 fixtures
INC	CONTROL4 C4-FPD 120	YES	YES	YES	

Type	Reverse Phase Dimmer Bank	S (500-1000lm)	M (1000-2000lm)	L (2000-3000lm)	
ELV	Lutron Nova T NTELV-600	YES	YES	YES	
ELV	Lutron Diva DVELV 600P	YES	YES	YES	
ELV	Lutron Maestro MAELV 600	YES	YES	YES	
ELV	Leviton Vizia VPE06-1LX	YES	YES	YES	
ELV	Leviton Illumatech IPE04	YES	YES	YES	
ELV	CONTROL4 C4-APD 120 REVERSE PHASE	YES	YES	YES	

Type	Miscellaneous Dimmers	S (500-1000lm)	M (1000-2000lm)	L (2000-3000lm)	
PHA	LUTRON RADIORA2 RRD-6NA	YES	YES	YES	
PHA	Lutron Maestro PRO LED+ RRD-PRO	YES	YES	YES	

Type	Control Systems	S (500-1000lm)	M (1000-2000lm)	L (2000-3000lm)	
MLV	Lutron LP-RPM-4U	YES	YES	YES	
PHA	Lutron LP-RPM-4A	YES	YES	YES	
MLV	Lutron GRAPHIC EYE QSGRJ-3P	YES	YES	YES	
PHA	Lutron PA Power Module PPHM-PA-120	YES	YES	YES	
ELV	Lutron nLight nSPSPCD ELV	YES	YES	YES	

COMPATIBLE 0-10V DIMMERS:						
MANUFACTURER	SYSTEM TYPE	DESCRIPTION	P/N	S (500-1000LM)	M (1000-2000LM)	L (2000-3000LM)
Lutron	Other	0-10V (sink or source) PowPak wireless dimming module	RMJ-5T-DV-B	YES	YES	YES
Wattstopper	Control System	Digital single relay room controller (0-10V)	LMRC-211	YES	YES	YES
Crestron	Control System	DIN Rail 0-10V fluorescent dimmer, 4 feeds, 4 channels (Green Light System)	DIN-4DIMFLV4	YES	YES	YES
Lutron	Other	Grafik Eye 0-10V adapter	GRX-TVI	YES	YES	YES
Leviton	Wall Box	Illumatech 0-10V	IP710-DLX	YES	YES	YES
Lutron	Control System	Mounted in the Homeworks QS panel - 0-10V dimmer (sink or source)	GRX-TVM2	YES	YES	YES
Lutron	Wall Box	Nova 0-10V wallbox dimmer (use with PP-120-H line voltage relay)	NTFTV	YES	YES	YES
Lutron	Wall Box	Nova 0-10V wallbox dimmer (use with PP-120-H line voltage relay)	NTSTV-DV	YES	YES	YES
Lutron	Wall Box	Nova T	NFTV	YES	YES	YES
Leviton	Wall Box	Renior II 0-10V	AWSMG-7DW	YES	YES	YES
ACUITY	Wall Box	sensorswitch, wall switch sensor, occupancy controlled dimming	WSX D WH	YES	YES	YES
ACUITY	Control System	nLight	nPP16D	YES	YES	YES
ACUITY	Control System	nLight	nPS 80 EZ	YES	YES	YES
ACUITY	Control System	nLight Air	rPP20 D	YES	YES	YES

### A+ Capable Luminaire

This item is an A+ capable luminaire, which has been designed and tested to provide consistent color appearance and out-of-the-box control compatibility with simple commissioning.

- All configurations of this luminaire meet the Acuity Brands' specification for chromatic consistency
- This luminaire is part of an A+ Certified solution for nLight® control networks when ordered with drivers marked by a shaded background\*
- This luminaire is part of an A+ Certified solution for nLight control networks, providing advanced control functionality at the luminaire level, when selection includes driver and control options marked by a shaded background\*

To learn more about A+, visit [www.acuitybrands.com/aplus](http://www.acuitybrands.com/aplus).

\*See ordering tree for details