

## FEATURES & SPECIFICATIONS

**INTENDED USE** — Typical applications include corridors, lobbies, conference rooms and private offices.

**CONSTRUCTION** — Galvanized steel mounting/plaster frame; galvanized steel junction box with bottom-hinged access covers and spring latches. Reflectors are retained by torsion springs. Vertically adjustable mounting brackets with commercial bar hangers provide 3-3/4" total adjustment. Two combination 1/2"-3/4" and four 1/2" knockouts for straight-through conduit runs. Capacity: 8 (4 in, 4 out). No. 12 AWG conductors, rated for 90°C.

Accommodates 12"-24" joist spacing.

Passive cooling thermal management for 25°C standard. Light engine and drivers are accessible from above or below ceiling.

Ceiling thickness range 1/2" to 1-1/2".

**OPTICS** — 55° cutoff

1.0 S/MH standard

80CRI standard (90CRI optional)

**ELECTRICAL** — Adjustable lumen output with three module options.

MVOLT 120/277V 50/60Hz driver (0-10V & 120V Phase Dimming to 10% min dimming level). DALI driver dimming to 1% also available. Factory-installed 347V step-down transformer available.

100LPW typical

FCC CFR Title 47 Part 15 Class A for 277V. FCC CFR Title 47 Part 15 Class B for 120V.

L80 @ 60,000 hours

3 SDCM

**LISTINGS** — Certified to US and Canadian safety standards. Title 24 compliant (90CRI, up to 1000lm). Wet location, covered ceiling. Wallwash suitable for damp locations only. Some configurations are Energy Star certified, please visit [www.energystar.gov](http://www.energystar.gov) for specific products.

**WARRANTY** — 5-year limited warranty. Complete warranty terms located at:

[www.acuitybrands.com/support/warranty/terms-and-conditions](http://www.acuitybrands.com/support/warranty/terms-and-conditions)

**Note:** Actual performance may differ as a result of end-user environment and application.

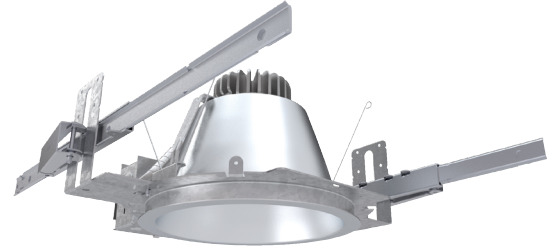
All values are design or typical values, measured under laboratory conditions at 25 °C.

Specifications subject to change without notice.

Catalog Number
Notes
Type

# LDN8 SWITCHABLE

8" Open LED  
New Construction Downlight



### ORDERING INFORMATION

Lead times will vary depending on options selected. Consult with your sales representative.

**Example:** LDN8 AL02 SWW1 L08AR LSS MVOLT UGZ

LDN8																											
Series	Lumens ‡	Color temperature ‡	Aperture/Trim Color		Reflector Flange	Finish	Distribution	Voltage																			
LDN8 8" Round	AL01	500/750/1000lm	SWW1	3000K-3500K-4000K-5000K	L08 Downlight	AR Clear	(blank) Self-flange	LSS Semi-specular	(blank) Medium	MVOLT	120V - 277V																
	AL02	1000/1500/2000lm										LW8 Wallwash	WR ‡ White painted	TRW ‡ White	LD Matte diffused	Wide (1.0s/mh)	347V										
	AL03	2000/2500/3000lm																BR ‡ Black painted	TRBL ‡ Black	LS Specular	Wide (1.2s/mh)	step-down transformer supplied					
	AL04	4000/4500/5000lm																					Fixed CCT	30K 3000K	WD	347V step-down transformer supplied	
	Fixed Lumen Output	35K 3500K																									
	05LM	500lm																									40K 4000K
	07LM	750lm																									50K 5000K
	10LM	1000lm																									
	15LM	1500lm																									
	20LM	2000lm																									
	25LM	2500lm																									
	30LM	3000lm																									
	40LM	4000lm																									
	45LM	4500lm																									
	50LM	5000lm																									

Driver	Options	nLight Options
UGZ Universal dimming to 10% 0-10V; line voltage dimming (120V)	90CRI High CRI (90+)	NPS80EZ ‡ nLight® network power/relay pack with 0-10V dimming
UGZ1 Universal dimming to 1% 0-10V; line voltage dimming (120V)	AT ‡ Airtight (IP55)	NPS80EZER ‡ nLight® network power/relay pack with 0-10V dimming; ER controls fixtures on emergency circuit.
DALI ‡ DALI dimming to 1%	CP ‡ Chicago Plenum	NLTAIR2 ‡ nLight® Air enabled
D10 Minimum dimming 10% driver for use with JOT D1 Minimum dimming 1% driver for use with JOT	EL ‡ Batterypack (10W constant power) Non-T20 Compliant, integral test switch	NLTAIRER2 ‡ nLight® AIR Dimming Pack Wireless Controls. Controls fixtures on emergency circuit
D1 Minimum dimming 1% driver for use with JOT	ELR ‡ Batterypack (10W constant power) Non-T20 Compliant remote test switch	NLTAIREM2 ‡ nLight® AIR Dimming Pack Wireless Controls. UL924 Emergency Operation, via power interrupt detection.
	E10WCP ‡ Batterypack (10W constant power) T20 Compliant, integral test switch	ETS ‡ Iota Emergency Transfer System
	E10WCPR ‡ Batterypack (10W constant power) T20 Compliant, remote test switch	
	JOT ‡ Wireless room control with "Just One Touch" pairing	

## † Option Restrictions

Options	Restriction
	<b>Lumens and Color Temp restriction note:</b> Fixed Lumens and CCT must be specified together (for example: 10LM 30K).
WR, BR	Not available with reflector finish.
EL	Suitable for damp location only and not available with wallwash trims, 347V, NPP16DER, or NLTAIRER2/NLTAIREM2.
TRW, TRBL	For use with Clear (AR) trim finish only.
AT	Standard for CP and IP55, not available with WW
E10WCPR	Not available QDS, CP, 347V, NPP16D ER, NLTAIRER2, NLTAIREM2, ALO3 (2000-3000L) DALI OR JOT.
ELR	Not available QDS, CP, 347V, NPP16D ER, NLTAIRER2, NLTAIREM2, ALO3 (2000-3000L) DALI OR JOT.
JOT	Not available with CP, NPP16D, NPP16D ER, NLTAIR2, NLTAIRER2, NLTAIREM2, UGZ, or DALI drivers. Fixed lumens and CCT only.
NLTAIR2	Not available with CP, QDS, DALI, D1, OR D10 drivers.
NLTAIRER2	Not available with CP, QDS, ELR, E10WCPR, DALI, D1, OR D10 drivers. Not available with 347V.
NLTAIREM2	Not available with CP, QDS, ELR, E10WCPR, DALI, D1, OR D10 drivers.
CP	Not available with, QDS, EC1, EC6, ELR, E10WCPR, 347V, JOT, NPP16D, NPP16D ER, NLTAIR2, NLTAIRER2, NLTAIREM2, D1, OR D10 drivers. Not available with square trim.
ETS	Not available with, QDS, ELR, E10WCPR, 347V, JOT, NPP16D, NPP16D ER, NLTAIR2, NLTAIRER2, NLTAIREM2, DALI, D1, OR D10 driver
DALI	Not available with fixed lumens or CCT. Max 4500 lumens.
LW	Not available with WL, EL, AND E10WCP
E10WCP	Not available QDS, CP, 347V, NPP16D ER, NLTAIRER2, NLTAIREM2, ALO3 (2000-3000L) DALI, JOT, or WL.
NPS80EZ	Not available with CP, QDS, DALI, D1, OR D10 drivers. 120V OR 277V only. Not available with 347V.
NPS80EZER	Not available with CP, QDS, ELR, E10WCPR, DALI, D1, OR D10 drivers. 120V OR 277V only. Not available with 347V.

## PHOTOMETRY

LDN8		80CRI							
Lumen Output	Wattage	30K/80CRI		35K/80CRI		40K/80CRI		50K/80CRI	
		Delivered Lumens	LPW	Delivered Lumens	LPW	Delivered Lumens	LPW	Delivered Lumens	LPW
AL01 (500LM)	6	596	99	606	100	614	100	622	101
AL01 (750LM)	9	897	100	912	101	923	102	935	102
AL01 (1000LM)	13	1250	97	1272	98	1287	98	1303	99
AL02 (1000LM)	12	1341	110	1363	111	1380	112	1397	112
AL02 (1500LM)	19	1975	106	2009	108	2034	108	2059	109
AL02 (2000LM)	25	2511	101	2553	102	2584	103	2617	103
AL03 (2000LM)	25	2617	104	2662	105	2694	106	2728	107
AL03 (2500LM)	32	3169	99	3222	100	3262	101	3303	102
AL03 (3000LM)	38	3618	95	3679	96	3724	96	3771	97
AL04 (4000LM)	39	3990	103	4071	105	4152	107	4193	108
AL04 (4500LM)	44	3991	91	4072	93	4153	95	4194	95
AL04 (5000LM)	49	3992	81	4073	83	4154	84	4195	85

LDN8		90CRI							
Lumen Output	Wattage	30K/90CRI		35K/90CRI		40K/90CRI		50K/90CRI	
		Delivered Lumens	LPW	Delivered Lumens	LPW	Delivered Lumens	LPW	Delivered Lumens	LPW
AL01 (500LM)	6	518	86	532	87	546	89	560	91
AL01 (750LM)	9	779	87	800	89	821	90	842	92
AL01 (1000LM)	13	1086	84	1116	86	1145	88	1175	89
AL02 (1000LM)	12	1165	95	1196	97	1228	99	1259	101
AL02 (1500LM)	19	1716	93	1763	94	1809	96	1856	98
AL02 (2000LM)	25	2181	88	2240	90	2299	92	2358	93
AL03 (2000LM)	25	2273	91	2335	92	2397	94	2458	96
AL03 (2500LM)	32	2753	86	2827	88	2902	90	2976	92
AL03 (3000LM)	38	3142	82	3228	84	3313	86	3398	87
AL04 (4000LM)	39	3311	86	3379	87	3447	89	3480	90
AL04 (4500LM)	44	3312	75	3380	77	3447	78	3481	79
AL04 (5000LM)	49	3313	67	3381	69	3448	70	3482	71

### A+ Capable Luminaire

This item is an A+ capable luminaire, which has been designed and tested to provide consistent color appearance and out-of-the-box control compatibility with simple commissioning.

- All configurations of this luminaire meet the Acuity Brands' specification for chromatic consistency
- This luminaire is part of an A+ Certified solution for nLight® control networks when ordered with drivers marked by a **shaded background**\*
- This luminaire is part of an A+ Certified solution for nLight control networks, providing advanced control functionality at the luminaire level, when selection includes driver and control options marked by a **shaded background**\*

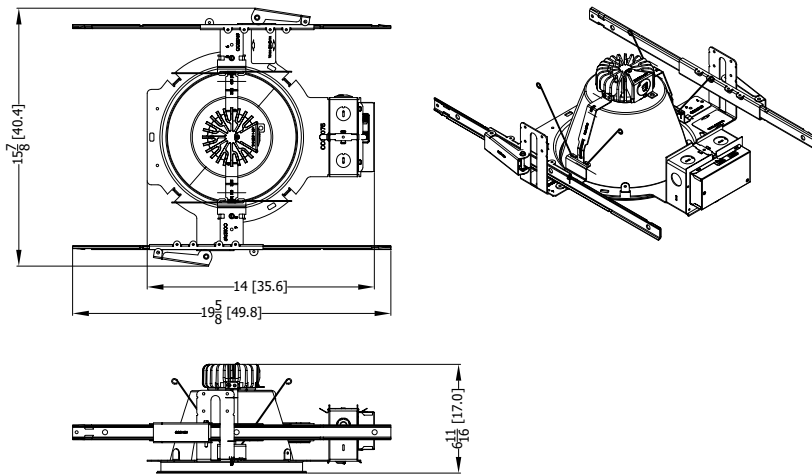
To learn more about A+, visit [www.acuitybrands.com/aplus](http://www.acuitybrands.com/aplus).

\*See ordering tree for details

# LDN8 SWW

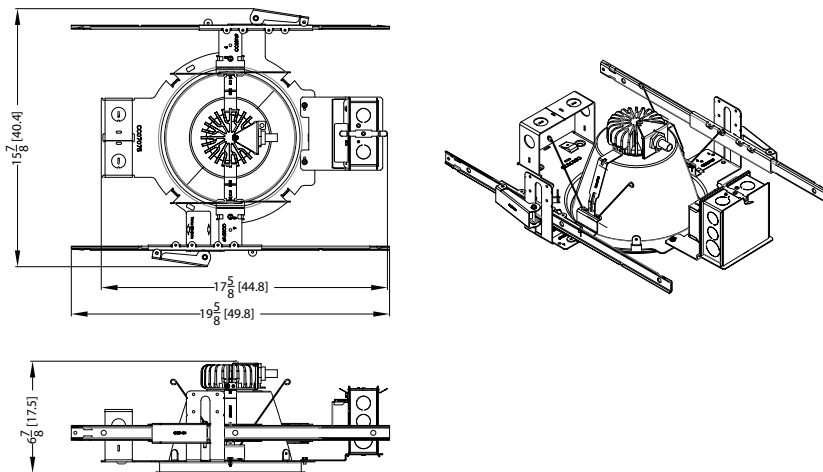
\* All dimensions are inches (centimeters) unless otherwise noted.

## LDN8 SWW1 500-3000LM



LDN8 SWW1 IC RATING	
AL01	IC
AL02	NON-IC
AL03	NON-IC

## LDN8 SWW1 CP 500-3000LM



### LUMEN OUTPUT MULTIPLIERS - FINISH

Specular (LS)	1.05
Semi-specular (LSS)	1.00
Matte diffuse (LD)	0.85

### LUMEN OUTPUT MULTIPLIERS - CCT

3000K	3500K	4000K	5000K
0.98	1.0	1.01	1.03

### HOW TO ESTIMATE DELIVERED LUMENS IN EMERGENCY MODE

Use the formula below to estimate the delivered lumens in emergency mode

$$\text{Delivered Lumens} = 1.25 \times P \times \text{LPW}$$

P = Output power of emergency driver. P = 10W for PS1055CP

LPW = Lumen per watt rating of the luminaire. This information is available on the ABL luminaire spec sheet.

The LPW rating is also available at [Designlight Consortium](http://Designlight Consortium).

### Notes

- Tested in accordance with IESNA LM-79-08.
- Tested to current IES and NEMA standards under stabilized laboratory conditions.
- CRI: 80 typical.

## DIMMER COMPATIBILITY

Not compatible with DALI or DMX dimmers. For specific compatible dimmers see below.

COMPATIBLE LINE VOLTAGE DIMMERS:					
TYPE	FORWARD PHASE	S (500-1000LM)	M (1000-2000LM)	L (2000-3000LM)	COMMENT
MLV	Lutron Glyder GLV-600	YES	YES	YES	
INC	Leviton SureSlide 6633	YES	YES	YES	
MLV	Lutron Diva DVLV-600P	YES	YES	YES	
MLV	Lutron Skylark SLV-600P	YES	YES	YES	
INC	Lutron RadioRA 2 10ND	YES	YES	YES	
MLV	Leviton SureSlide 6613-PLW	YES	YES	YES	
INC	Lutron Diva DVCL-153P	YES	YES	YES	
MLV	Leviton IPM06	YES, 2x *	YES	YES	* min 2 fixtures
INC	Leviton IPI06	YES, 2x *	YES	YES	* min 2 fixtures
MLV	Synergy ISD 600LV	YES, 2x *	YES	YES	* min 2 fixtures
INC	Synergy ISD 600 I	YES, 2x *	YES	YES	* min 2 fixtures
INC	CONTROL4 C4-FPD 120	YES	YES	YES	

Type	Reverse Phase Dimmer Bank	S (500-1000lm)	M (1000-2000lm)	L (2000-3000lm)	
ELV	Lutron Nova T NTELV-600	YES	YES	YES	
ELV	Lutron Diva DVELV 600P	YES	YES	YES	
ELV	Lutron Maestro MAELV 600	YES	YES	YES	
ELV	Leviton Vizia VPE06-1LX	YES	YES	YES	
ELV	Leviton Illumatech IPE04	YES	YES	YES	
ELV	CONTROL4 C4-APD 120 REVERSE PHASE	YES	YES	YES	

Type	Miscellaneous Dimmers	S (500-1000lm)	M (1000-2000lm)	L (2000-3000lm)	
PHA	LUTRON RADIORA2 RRD-6NA	YES	YES	YES	
PHA	Lutron Maestro PRO LED+ RRD-PRO	YES	YES	YES	

Type	Control Systems	S (500-1000lm)	M (1000-2000lm)	L (2000-3000lm)	
MLV	Lutron LP-RPM-4U	YES	YES	YES	
PHA	Lutron LP-RPM-4A	YES	YES	YES	
MLV	Lutron GRAPHIC EYE QSGRJ-3P	YES	YES	YES	
PHA	Lutron PA Power Module PPHPM-PA-120	YES	YES	YES	
ELV	Lutron nLight nSP5PCD ELV	YES	YES	YES	

COMPATIBLE 0-10V DIMMERS:						
MANUFACTURER	SYSTEM TYPE	DESCRIPTION	P/N	S (500-1000LM)	M (1000-2000LM)	L (2000-3000LM)
Lutron	Other	0-10V (sink or source) PowPak wireless dimming module	RMJ-5T-DV-B	YES	YES	YES
Wattstopper	Control System	Digital single relay room controller (0-10V)	LMRC-211	YES	YES	YES
Crestron	Control System	DIN Rail 0-10V fluorescent dimmer, 4 feeds, 4 channels (Green Light System)	DIN-4DIMFLV4	YES	YES	YES
Lutron	Other	Grafik Eye 0-10V adapter	GRX-TVI	YES	YES	YES
Leviton	Wall Box	Illumatech 0-10V	IP710-DLX	YES	YES	YES
Lutron	Control System	Mounted in the Homeworks QS panel - 0-10V dimmer (sink or source)	GRX-TVM2	YES	YES	YES
Lutron	Wall Box	Nova 0-10V wallbox dimmer (use with PP-120-H line voltage relay)	NTFTV	YES	YES	YES
Lutron	Wall Box	Nova 0-10V wallbox dimmer (use with PP-120-H line voltage relay)	NTSTV-DV	YES	YES	YES
Lutron	Wall Box	Nova T	NFTV	YES	YES	YES
Leviton	Wall Box	Renior II 0-10V	AWSMG-7DW	YES	YES	YES
ACUITY	Wall Box	sensorswitch, wall switch sensor, occupancy controlled dimming	WSX D WH	YES	YES	YES
ACUITY	Control System	nLight	nPP16D	YES	YES	YES
ACUITY	Control System	nLight	nPS 80 EZ	YES	YES	YES
ACUITY	Control System	nLight Air	rPP20 D	YES	YES	YES