

MARK ARCHITECTURAL LIGHTING™

Full Circle LED Recessed – Arc



Anything a designer can imagine can be brought to life with Full Circle's super-efficient LED technology.

Arc-shaped segments with radii from 2' to 10' nominal add interest and fun to ordinary recessed slot installations. A regressed lens option provides added dimensions to the sleek, slender design.

Type:

Project:

Catalog Number:

DO NOT TYPE HERE. Autopopulated field.

Specification Features (continued on page 2)

Housing

Nominal 2', 3', 4', 6', 8' or 10' radius arcs may be used independently or combined to create patterns or shapes. 3.5" x 4.5" formed 20 ga. cold-rolled steel with extruded trims and flanges.

Finish

Painted high reflectance matte white powder coat

Reflector

Precision-formed steel; high reflectance matte white powder coat; 93% reflectivity

Shielding

Flush Lens: Snap-in 90% transmissive satin acrylic lens

Regressed Lens: Lay-in 90% transmissive satin acrylic lens

Mounting

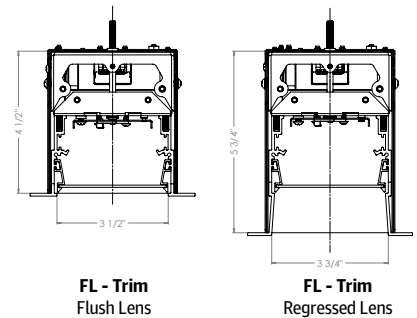
Recessed. Available for sheetrock installation.

Fixture Performance - FCL ARC FLP 6RAD 80CRI 35K

| Lumens Output | 400 LMF | 600 LMF** | 800 LMF** | 1000LMF** |
|------------------|---------|-----------|-----------|-----------|
| Fixture Style | FLP | FLP | FLP | FLP |
| Delivered Lumens | 651 | 1072 | 1442 | 1785 |
| Input Watts | 7.6 | 12.7 | 18.2 | 23.9 |
| Lumen/Watt | 85.6 | 84.4 | 79.2 | 74.7 |

* Consult factory for customized lumen output and wattage.
** Based on calculated values derived from 6RAD Arc.

Technical Drawing



Ordering

Example: FCL ARC 8RAD FLP FL 80CRI 35K 800LMF MIN1 120 ZT

| | | | | | |
|--|--|--|--|--|--|
| | | | | | |
|--|--|--|--|--|--|

| Series | Fixture Plan | Radius ¹ | Fixture Style | Ceiling Trim | Direct Light Source Color Rendering |
|---------------------|--------------|--|--|---|--|
| FCL Full Circle LED | ARC Arc | 2RAD 2' Radius 3RAD 3' Radius 4RAD 4' Radius 6RAD 6' Radius 8RAD 8' Radius 10RAD 10' Radius | RLP Regressed Lens FLP Flush Lens | FL² 5/8" Flange (sheetrock) GB² Trimless (sheetrock) | 80CRI 80 CRI 90CRI 90 CRI |

| | | | | | |
|--|--|--|--|--|--|
| | | | | | |
|--|--|--|--|--|--|

| Direct LED Color Temp | Direct LED Light Output | Minimum Dimming Level | Voltage | Emergency Options |
|--|--|---|------------------------------------|---|
| 30K 3000K 35K 3500K 40K 4000K | 400LMF³ 400 Lumens per FT 600LMF 600 Lumens per FT 800LMF 800 Lumens per FT 1000LMF 1000 Lumens per FT | NODIM Non - Dim MIN1 Constant current, dimming to 1% DARK Constant current, dimming to <1% | 120 120V 277 277V | E10W Emergency battery pack (Remote mounted) EMG Emergency Generator Power |

| | |
|--|--|
| | |
|--|--|

| Control Input | Options |
|---|--|
| ZT 0-10V DALI⁴ Dali | CP Chicago Plenum DPL Damp Location Listing |

Notes

- Arc Radius is measured along centerline of fixture.
- Not intended for post sheetrock installation.
- 400LMF power factor at 277V <0.8.
- DALI available with DARK minimum dimming only.

Specification Features (continued)

LED Components

Linear: Nichia® - 757 Series LED chips (available in 80 or 90 CRI)

LED Life

Rated 65,000 hours (L80) at 25 °C ambient temperature.

Color Consistency

The Acuity Brands circuit boards for the linear LED components use a precise binning algorithm which creates a consistent color temperature from board to board. Color variation is no greater than a 2.5 Step MacAdam (2.5SDCM) along the black body locus from board to board.

Driver

eldoLED constant current driver options delivers ultra-smooth dimming resolution from 100% to <1%, while assuring flicker free, low current inrush, 89% efficiency and low EMI.

Acuity luminaires incorporating eldoLED LED drivers perform within the recommended operating areas for flicker as a function of frequency and modulation (%) outlined in IEEE Standard 1789 2015 (IEEE Recommended Practices for Modulating Current in High-Brightness LEDs for Mitigating Health Risks to Viewers), in typical operating conditions at representative dimming levels.

A+ Capable Luminaire

This item is an A+ capable luminaire, which has been designed and tested to provide consistent color appearance and out-of-the-box control compatibility with simple commissioning.

- All configurations of this luminaire meet the Acuity Brands' specification for chromatic consistency
- This luminaire is part of an A+ Certified solution for nLight® control networks when ordered with drivers marked by a [shaded background*](#)
- This luminaire is part of an A+ Certified solution for nLight control networks, providing advanced control functionality at the luminaire level, when selection includes driver and control options marked by a [shaded background*](#)

To learn more about A+, [visit www.acuitybrands.com/aplus](http://www.acuitybrands.com/aplus).

*See ordering tree for details

Government Procurement

BAA - Buy America(n) Act: Product qualifies as a domestic end product under the Buy American Act as implemented in the FAR and DFARS. Product also qualifies as manufactured in the United States under DOT Buy America regulations.

BABA - Build America Buy America: Product qualifies as produced in the United States under the definitions of the Build America, Buy America Act.

Please refer to www.acuitybrands.com/buy-american for additional information.

Notes

- For full product offering refer to standard product specification sheet(s)
- For photometric information refer to www.marklighting.com

Certification

CSA Certified to meet U.S. and Canadian standards, rated for Chicago Plenum and damp location listings.

Warranty

5-year limited warranty. This is the only warranty provided and no other statements in this specification sheet create any warranty of any kind. All other express and implied warranties are disclaimed. Complete warranty terms located at: www.acuitybrands.com/support/warranty/terms-and-conditions

Note: Actual performance may differ as a result of end-user environment and application.

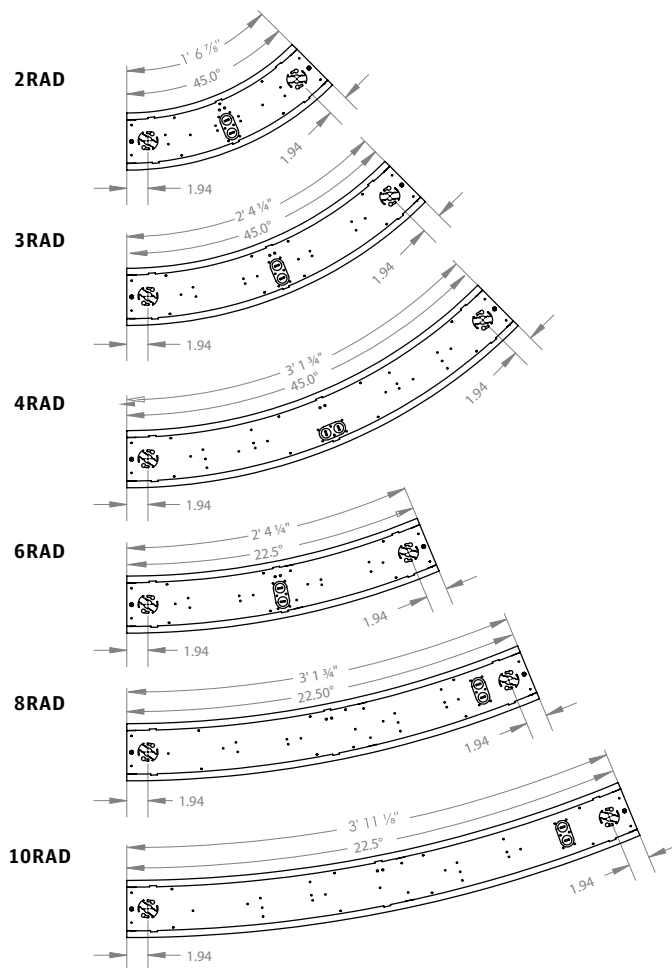
All values are design or typical values, measured under laboratory conditions at 25 °C.

Specifications subject to change without notice.

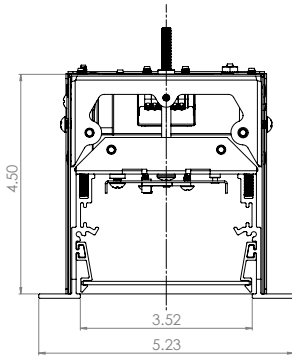
For full product offering refer to standard product specification sheet(s)

For photometric information refer to www.marklighting.com

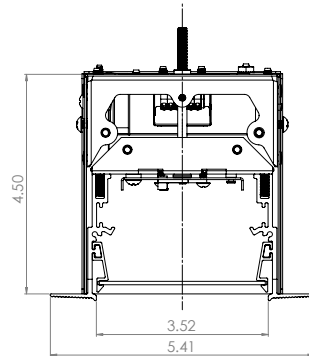
Arcs and Lengths



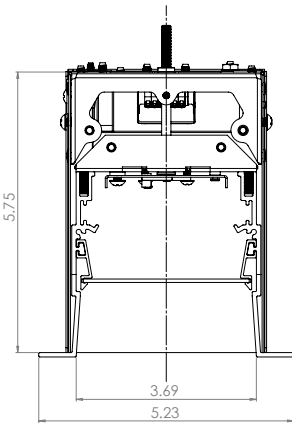
Ceiling Trim / Technical Drawing



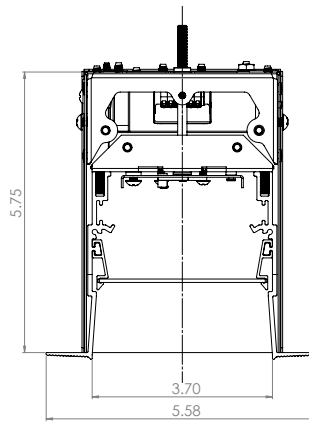
FL - 5/8" Flange (sheetrock)
FLP - Flush Lens



GB - Trimless (sheetrock)
FLP - Flush Lens



FL - 5/8" Flange (sheetrock)
RLP - Regressed Lens



GB - Trimless (sheetrock)
RLP - Regressed Lens