



Project: \_\_\_\_\_

Fixture Type: \_\_\_\_\_

Location: \_\_\_\_\_

Contact/Phone: \_\_\_\_\_

# TRAC-LITES

One Circuit Track System

## TRACK SECTIONS & SYSTEM COMPONENTS

### R Series



#### PRODUCT DESCRIPTION

Reduced-profile, single-circuit track sections for surface or pendant mounting. Compatible with a full range of feed, connector and mounting accessories, as listed on back of this page. Accepts all Trac-Lites and Trac-Master track fixtures.

#### PRODUCT SPECIFICATIONS

**Construction** Extruded aluminum with thermoplastic insulator • Injection molded polycarbonate dead-end with set screw • Standard lengths may be cut-to-length by installer.

**Electrical** Two 12 gauge solid copper conductors • Rated 20 amps at 120 volts • Aluminum channel used as system ground • One-piece insulator insures consistent conductor spacing for reliable electrical contact • Insulating bushings supplied at mounting hole locations to prevent shorts to ground.

**Labels** UL/CUL listed.

**Buy American Act** This product is assembled in the USA and meets the Buy America(n) government procurement requirements under FAR, DFARS and DOT regulations. Please refer to [www.acuitybrands.com/buy-american](http://www.acuitybrands.com/buy-american) for additional information.

#### PRODUCT INSTALLATION

Debossed polarity line provides visual cue to proper track, track connector and fixture alignment • Supplied with toggle bolts for surface mounting

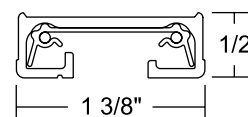
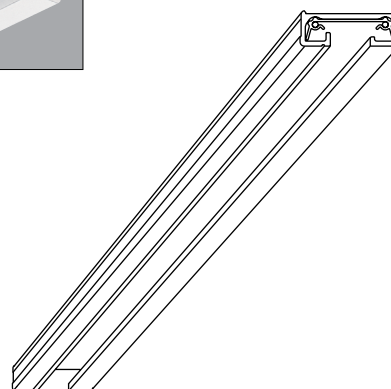
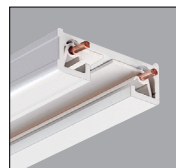
- Insulator stays same length as extrusion to simplify field-cutting of track
- Connectors and feeds simply push into track sections.

**WARRANTY** 1-year limited warranty. This is the only warranty provided and no other statements in this specification sheet create any warranty of any kind. All other express and implied warranties are disclaimed. Complete warranty terms located at: [www.acuitybrands.com/support/warranty/terms-and-conditions](http://www.acuitybrands.com/support/warranty/terms-and-conditions).

**Note:** Actual performance may differ as a result of end-user environment and application.

Specifications subject to change without notice.

#### DIMENSIONS



#### ORDERING INFORMATION

Example: R 8FT WH

Series	Length	Finish
R Trac-Lites 1-Circuit Track Sections	<b>2FT</b> 2-foot track section; actual length 19-7/8"	<b>BL</b> Black
	<b>4FT</b> 4-foot track section; actual length 43-7/8"	<b>BZ</b> Bronze
	<b>6FT</b> 6-foot track section; actual length 67-7/8"	<b>SL</b> Silver
	<b>8FT</b> 8-foot track section; actual length 91-7/8"	<b>WH</b> White

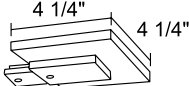
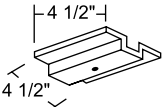
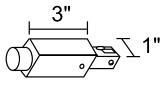
# TRAC-LITES

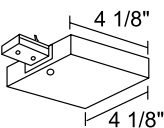
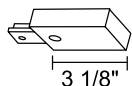
One Circuit Track System

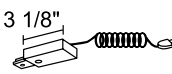
## TRACK SECTIONS & SYSTEM COMPONENTS R Series

### Electrical Feeds

Examples: R21 BL, R34 RP WH

R21	R29	R34	R34 RP
BL, BZ, SL, WH	BL, BZ, SL, WH	BL, BZ, SL, WH	BL, BZ, WH
<p><b>End Feed Connector and Outlet Box Cover</b></p> <p>For outlet box feed. Includes: outlet box cover, fixture strap and ground screw.</p> 	<p><b>Floating Electrical Feed</b></p> <p>Permits mounting any point of track under outlet box. Includes floating connector, outlet box cover plus extra track dead end.</p> 	<p><b>Conduit End Feed</b></p> <p>For surface wiring. Use standard 1/2" connector.</p> 	<p><b>Conduit End Feed</b></p> <p>Same as R34 except designed for use in opposite polarity orientation compared to standard feed connectors.</p>

R36	R36 RP	R38	R38 RP
BL, BZ, SL, WH	BL, BZ, SL, WH	BL, BZ, SL, WH	BL, WH
<p><b>T-Bar End Feed</b></p> <p>Wiring compartment contains standard 1/2" KO's. Feeds surface track from above, when T-bar is directly above track.</p> 	<p><b>T-Bar End Feed</b></p> <p>Same as R36 except designed for use in opposite polarity orientation compared to standard feed connectors.</p>	<p><b>Live End Feed Connector</b></p> <p>Feed track from above with flexible conduit, BX, etc., or end feed in pendant systems. Accepts standard 1/2" connector.</p> 	<p><b>Live End Feed Connector</b></p> <p>Same as R38 except designed for use in opposite polarity orientation compared to standard feed connectors.</p>

R22	R122
BL, BZ, SL, WH	BL, BZ, SL, WH
<p><b>Cord and Plug End Feed</b></p> <p>Comes with 15' two-wire white cord. Includes surface wire retainers and in-line switch. Max cap. 7 amps. Not UL Listed.</p> 	<p><b>Cord and Plug End Feed</b></p> <p>Same as R122 but with matching color 3-wire grounded cord and plug. No switch. Not UL Listed.</p>

# TRAC-LITES

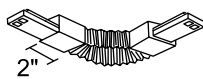
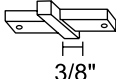
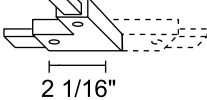
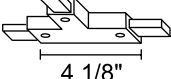
## One Circuit Track System

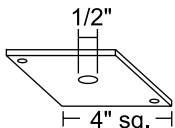

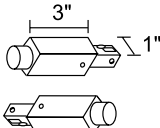
# TRACK SECTIONS & SYSTEM COMPONENTS

## R Series

### Track Joiners & Dead End

Examples: R20 BL, R25 RP WH

<b>R20</b>	<b>R23</b>	<b>R24 ‡</b>	<b>R25 ‡</b>	<b>R25 RP ‡</b>
<b>BL, BZ, SL, WH</b>	<b>BL, BZ, SL, WH</b>	<b>BL, BZ, SL, WH</b>	<b>BL, BZ, SL, WH</b>	<b>BL, BZ, SL, WH</b>
<p><b>Accordion Adjustable Joiner</b></p> <p>Can flex to 90° angle to left, right, up or down. Joins two track sections.</p>  <p style="text-align: center;">2"</p>	<p><b>Miniature Straight Connector</b></p> <p>Joins two track sections end to end.</p>  <p style="text-align: center;">3/8"</p>	<p><b>Adjustable Connector</b></p> <p>Joins two track sections to make a 90° angle or straight run. Straight and right angle covers supplied. For outlet box feed, <b>T27</b> cover plate required.</p>  <p style="text-align: center;">2 1/16"</p>	<p><b>"T" Connector</b></p> <p>Joins three track sections. For outlet box feed, <b>T27</b> cover plate required.</p>  <p style="text-align: center;">4 1/8"</p>	<p><b>"T" Connector</b></p> <p>Same as <b>R25</b> except designed for use in opposite polarity orientation compared to standard feed connectors.</p>

<b>T27</b>	<b>R28</b>	<b>R49</b>
<b>BL, BZ, SL, WH</b>	<b>BL, BZ, SL, WH</b>	<b>BL, BZ, SL, WH</b>
<p><b>Outlet Box Cover</b></p> <p>Use with <b>R24/R25</b> for outlet box electrical feed. Includes: nipple, locknut and ground screw.</p>  <p style="text-align: center;">1/2" 4" sq.</p>	<p><b>Dead End</b></p> <p>For use with field-cut track sections.</p> 	<p><b>Continuation Kit</b></p> <p>Permits track to continue a run around obstructions. Includes one <b>R34</b> Conduit Feed and one <b>R34 RP</b> Conduit Feed. Fits standard 1/2" conduit.</p>  <p style="text-align: center;">3" 1"</p>

‡ R24 and R25 may not be used as feed connectors in Canada due to special grounding requirements.

# TRAC-LITES

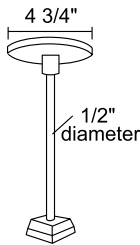
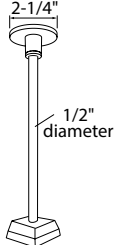
## One Circuit Track System

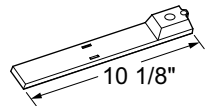



### TRACK SECTIONS & SYSTEM COMPONENTS

### R Series

#### Pendant Stems

Examples: T90 12IN BL, T93 BL

T90	T91	T9091M
12IN, 18IN, 24IN, 36IN, 48IN	12IN, 18IN, 24IN, 36IN, 48IN	12IN, 18IN, 24IN, 36IN, 48IN
BL, BZ, SL, WH	BL, BZ, SL, WH	BL, SL, WH
<p><b>T-Bar Pendant Stem Kit</b></p> <p>Compatible with 15/16" flush T-Bar ceilings. 4' max. spacing. Track sections must be supported within 6" of any connection point. Typically requires 2 per 2' or 4' track, 3 per 6' or 8' track, or 4 per 12' track. More supports, spaced closer together, may be required when installing heavier or unbalanced luminaires. Includes canopy, T-Bar mounting plate, stem and track attachment hardware. For electrical feed, order <b>T93</b> wireway cover. Stems need to be rethreaded if cut in the field.</p> 	<p><b>Rigid Ceiling Pendant Stem Kit</b></p> <p>Attaches directly to junction box in rigid ceilings. 4' max. spacing. Track sections must be supported within 6" of any connection point. Typically requires 2 per 2' or 4' track, 3 per 6' or 8' track, or 4 per 12' track. More supports, spaced closer together, may be required when installing heavier or unbalanced luminaires. Includes canopy, J-Box mounting strap, stem and track attachment hardware. For electrical feed, order <b>T93</b> wireway cover. Stems need to be rethreaded if cut in the field.</p>	<p><b>Pendant Stem Mechanical Support Kit</b></p> <p>For mechanical support only (no feed). Suspends Track from T-bar or rigid ceilings. 4' max. spacing. Track sections must be supported within 6" of any connection point. Typically requires 2 per 2' or 4' track, 3 per 6' or 8' track, or 4 per 12' track. More supports, spaced closer together, may be required when installing heavier or unbalanced luminaires. Includes Mini-Canopy, pendant stem, 15/16" T-bar clip, drywall anchor and track mounting hardware. Stems need to be rethreaded if cut in the field.</p> 

T93	T94	T96	T56
BL, BZ, SL, WH	BL, BZ, SL, WH	BL, SL, WH	BL, SL, WH
<p><b>Wireway Cover</b></p> <p>For Pendant Stem Kits <b>T90</b> and <b>T91</b>. Conceals electrical feed wires from stem to connector. One cover required for each track feed.</p> 	<p><b>Sloped Ceiling Adapter</b></p> <p>Allows <b>T90</b>, <b>T91</b> or <b>T9091M</b> pendant stem to hang straight down from sloped ceilings. Can be used to feed electrical wires to Track at up to 60° angle.</p> 	<p><b>Pendant Stem Threaded Coupling</b></p> <p>Enables multiple pendant stems to be joined for higher ceiling applications.</p> 	<p><b>Solid Rod Pendant Mounting Kit</b></p> <p>Attaches solid 5/16" threaded rod to track. Includes: plastic cap, mounting bracket and hardware. Rod not supplied.</p> 

# TRAC-LITES

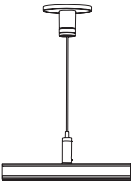
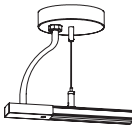
One Circuit Track System

## TRACK SECTIONS & SYSTEM COMPONENTS

### R Series

#### Cable Suspension

Examples: T595 48IN BL, T598 144IN WH

T595	T597	T596	T598
48IN, 144IN	48IN, 144IN	48IN, 144IN	48IN, 144IN
BL, WH	BL, WH	BL, WH	BL, WH
<p><b>T-Bar Ceiling Cable Suspension Kit</b></p> <p>Mechanical-only cable suspension kit for 1-circuit or 2-circuit track. Compatible with 15/16" flush T-Bar ceilings. 4' max. spacing. Track sections must be supported within 6" of any connection point unless <b>T92</b> or <b>T92L</b> Structural Bridges are used. Typically requires 2 per 2' or 4' track, 3 per 6' or 8' track, or 4 per 12' track. More supports, spaced closer together, may be required when installing heavier or unbalanced luminaires. Adjustable 48" or 144" stainless steel cable length. Includes mini-canopy, T-bar clip and cable hardware.</p> 	<p><b>Rigid Ceiling Cable Suspension Kit</b></p> <p>Mechanical-only cable suspension kit for 1-circuit or 2-circuit track. Attaches directly to junction box in rigid ceilings. 4' max. spacing. Track sections must be supported within 6" of any connection point unless <b>T92</b> or <b>T92L</b> Structural Bridges are used. Typically requires 2 per 2' or 4' track, 3 per 6' or 8' track, or 4 per 12' track. More supports, spaced closer together, may be required when installing heavier or unbalanced luminaires. Adjustable 48" or 144" stainless steel cable length. Includes mini-canopy, toggle bolt and cable hardware.</p>	<p><b>T-Bar Ceiling Cable Suspension/Feed Kit</b></p> <p>Cable suspension kit with adjustable 48" or 144" electrical feed cable for 1-circuit track. Compatible with 15/16" flush T-Bar ceilings. 4' max. spacing. Track sections must be supported within 6" of any connection point unless <b>T92</b> or <b>T92L</b> Structural Bridges are used. Typically requires 2 per 2' or 4' track, 3 per 6' or 8' track, or 4 per 12' track. More supports, spaced closer together, may be required when installing heavier or unbalanced luminaires. Includes canopy, T-bar clip, mounting plate, cable hardware and flexible electrical feed cable. Track feed connector not included (order separately).</p> 	<p><b>Rigid Ceiling Cable Suspension/Feed Kit</b></p> <p>Cable suspension kit with adjustable 48" or 144" electrical feed cable for 1-circuit track. Attaches directly to junction box in rigid ceilings. 4' max. spacing. Track sections must be supported within 6" of any connection point unless <b>T92</b> or <b>T92L</b> Structural Bridges are used. Typically requires 2 per 2' or 4' track, 3 per 6' or 8' track, or 4 per 12' track. More supports, spaced closer together, may be required when installing heavier or unbalanced luminaires. Includes canopy, J-box mounting strap, cable hardware and flexible electrical feed cable. Track feed connector not included (order separately).</p>

**Note:** Cable suspension is recommended for pattern installations only, or those installations that are supplemented with additional rigid mounting points (stems, threaded rod, etc.).

# TRAC-LITES

## One Circuit Track System

# TRACK SECTIONS & SYSTEM COMPONENTS

## R Series

### Accessories

Example: T31N BL

R37F	R37D	R37916	T31N BL, SL, WH
<p style="text-align: center;"><b>15/16" T-Bar Attachment Clip</b></p> <p>To attach to inverted tee ceilings using flush tiles. Use two for 2' or 4' track, or three for 6' or 8' of track, or four for 12' of track (4' max. spacing).</p>	<p style="text-align: center;"><b>15/16" T-Bar Attachment Clip</b></p> <p>Same as <b>R37F</b> with spacer for ceilings using drop tiles.</p>	<p style="text-align: center;"><b>9/16" T-Bar Attachment Clip</b></p> <p>To attach to inverted tee ceilings using flush or drop tiles. Use two for 2' or 4' track, or three for 6' or 8' of track, or four for 12' of track (4' max. spacing).</p>	<p style="text-align: center;"><b>Pendant Adapter</b></p> <p>Adapts corded, swag or chain-hung fixture to track. Includes loop hook for chain installation and strain relief for direct cord suspension. Chain installation accepts cord diameters up to 0.270" and supports up to 15 lbs. Strain relief installation accepts cord diameters of 0.170" to 0.255", type SVT 18/3, and supports up to 5 lbs. May also be specified with GTYPE, HTYPE or LTYPE Alternate Mounting Adapters (i.e. T31N HTYPE WH). 5A max. UL Listed. Not available in HTYPE BL.</p> <div style="text-align: center;"> </div>

**Note:** GTYPE, HTYPE and LTYPE available in BL or WH finishes only.

T32 BL, WH	T33 BL, SL, WH
<p style="text-align: center;"><b>Plant or Utility Hook</b></p> <p>Supports up to 25 lbs. Not UL Listed.</p> <div style="text-align: center;"> </div>	<p style="text-align: center;"><b>Outlet Adapter</b></p> <p>Provides electrical receptacle. Not UL Listed.</p> <div style="text-align: center;"> </div>

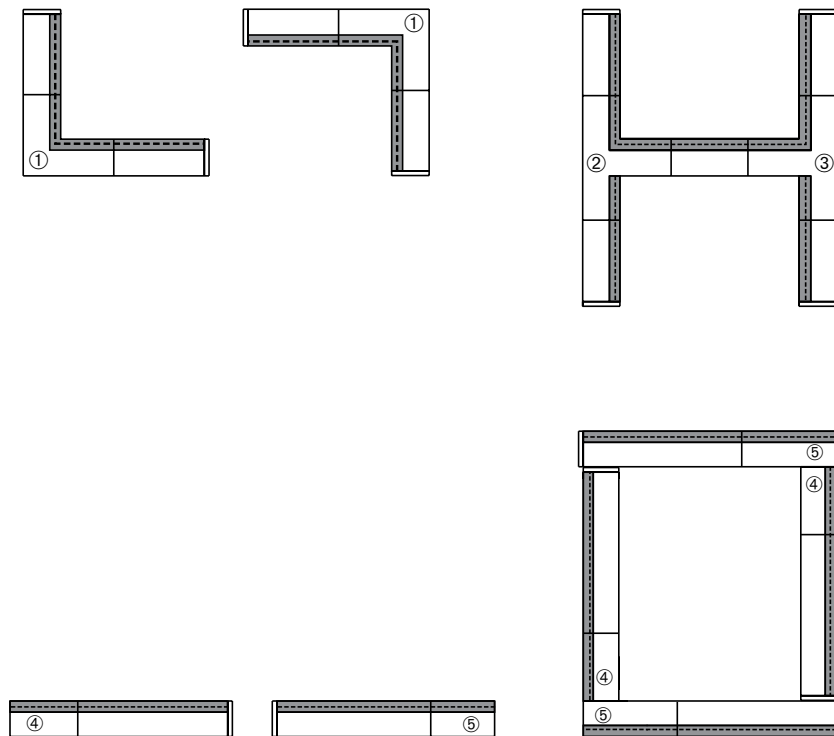
# TRAC-LITES

One Circuit Track System

## TRACK SECTIONS & SYSTEM COMPONENTS

### R Series

#### Example Track Configurations & Recommended Components (Top Plan View)



- ① Standard "L" Connector – **R24**
- ② Standard "T" Connector – **R25**
- ③ Reverse Polarity "T" Connector – **R25 RP**
- ④ Standard End Feed Connector – **R38** (or similar End Feed)
- ⑤ Reverse Polarity End Feed Connector – **R38 RP** (or similar Reverse Polarity End Feed)

(Each run controlled by separate feeds)