

JUNO[®]**TRAC-MASTER**[®]

Project: _____

Fixture Type: _____

Location: _____

Contact/Phone: _____

Avant Garde
CYLINDRA™ 15W LED
T254L G2



PRODUCT DESCRIPTION

The Cylindra™ 15W LED approximates the light output and distribution of 90W PAR30 halogen lamps in a PAR30 size fixture, utilizing approximately 1/6 of the energy and having a rated life of 50,000 hours. Available in 2700K, 3000K, 3500K and 4000K color temperatures with a minimum 80 CRI. Optional high CRI versions are available with a minimum 90 CRI and R9 greater than 50. There are also optional SpectralWhite color/white enhancing versions which offer minimum 90 CRI while rendering colors richly and making whites appear naturally brilliant. The contemporary styling of the Cylindra LED enables it to subtly enhance practically any decor without diverting attention from the surrounding environment. Soft curved surfaces combine with clean, crisp edges to provide a uniquely attractive aesthetic. Cylindra's integral, bayonet-mounted accessory holder accommodates up to two accessories if desired.



Cylindra 15W LED

Construction Die cast aluminum housing provides outstanding thermal management of LED, yielding 70% average lumen maintenance at 50,000 hours of operation • Fashionable, elegant design complements any decor • Available in white, black and silver painted finishes.

LED High performance LED array provides outstanding reliability, performance and color quality/ consistency • 2700K, 3000K, 3500K or 4000K white phosphor high performance LEDs • Chromaticity range within a 3-step MacAdam Ellipse • 80 CRI minimum on standard product • Optional high CRI versions offer 90 CRI minimum • Optional SpectralWhite color/white enhancing versions are available which make whites appear naturally brilliant and render colors more richly.

Driver Concealed in rear housing to minimize overall fixture footprint • Provides quiet operation with or without dimming • Dimmable using high quality, factory-approved reverse phase ELV dimmers – see [T254LG2-DIM](#) • Solid state electronic, Class 2 compliant • Integral overcurrent and short circuit protection • Designed for greater than 50,000 hour operating life • FCC Certified to Part 15 Class B EMI standards.

Optics Interchangeable computer-designed custom faceted reflectors available in three factory configured beam spreads • One reflector provided with fixture (as specified in catalog number) • Accessory reflectors available to enable beam changes in the field • Beam patterns can be altered as desired using a variety of available light control accessories.

Juno Universal Track Adapter Universally compatible with both Trac-Master 1-circuit or 2-circuit track, Trac-Lites track, monopoints and special mountings • Also UL Recognized for use on ConTech® LT Series track • Copper alloy contacts provide precise spring action - no arcing and will not take a set • True, positive electrical ground • On/off switch included • Patented embossed polarity arrows on bottom of adapter • Spring-loaded positive latch with embossed polarity arrows secures track fixture to track • Two-position power contact provided for two-circuit application.

Alternate TEK Track Adapter Compatible with Juno TEK track system • System specific and assembled to track fixture • Integrally polarized construction to prevent reverse installation – only allows insertion in proper orientation • Rotary circuit selector enables simple switching between circuits • Integral on/off switch enables individual fixtures to be switched for servicing.

Alternate GTYPE Track Adapter Compatible with track systems based on GES type track, including Lithonia LT Commercial Track (not LTS type) • System specific and assembled to track fixture • Consult factory for additional information.

Alternate HTYPE Track Adapter Compatible with track systems which use a H-type track adapter, including Lithonia LTS Decorative Track (not LT type) • System specific and assembled to track fixture • Two-position power contact provided for two-circuit application • Consult factory for additional information.

Alternate LTYPE Track Adapter Compatible with track systems which use a L-type track adapter • System specific and assembled to track fixture • Two-position power contact provided for two-circuit application • Consult factory for additional information.

Accessory Holder Integral to fixture design • Die cast aluminum construction • Precision bayonet mounting • Accommodates up to two accessories if desired.

Aiming 360° horizontal coverage • 105° vertical aiming capability.

Labels UL and C-UL Listed • DesignLights Consortium® qualified where noted in Performance Data • Union made • Assembled in U.S.A.

Government Procurement

BAA – Buy America(n) Act: Product qualifies as a domestic end product under the Buy American Act as implemented in the FAR and DFARS. Product also qualifies as manufactured in the United States under DOT Buy America regulations.

BABA – Build America Buy America: Product qualifies as produced in the United States under the definitions of the Build America, Buy America Act.

Please refer to www.acuitybrands.com/buy-american for additional information.

Warranty 5-year limited warranty. This is the only warranty provided and no other statements in this specification sheet create any warranty of any kind. All other express and implied warranties are disclaimed. Complete warranty terms located at: www.acuitybrands.com/support/warranty/terms-and-conditions

Note: Actual performance may differ as a result of end-user environment and application.
 All values are design or typical values, measured under laboratory conditions at 25 °C.
 Specifications subject to change without notice.

ConTech is a registered trademark of ConTech Lighting.



One Lithonia Way • Conyers, GA 30012 • Phone 1-800-705-SERV (7378) • Visit us at www.acuitybrands.com/juno-trac
 Printed in U.S.A. © 2017-2024 Acuity Brands Lighting, Inc. Rev. 10/4/24

TRAC-MASTER®

Avant Garde
CYLINDRA™ 15W LED
T254L G2

ORDERING INFORMATION

Ordering Example: T254L G2 27K 90CRI PDIM SP BL

| Series | Mounting Adapter Type | Generation | Color Temperature | Color Rendering Index | Dimming Compatibility | Distribution | Finish |
|---|--|------------|-------------------|--------------------------------------|-------------------------------|---|--|
| T254L 15W Cylindra LED | (Blank) Juno Universal Track Adapter | G2 Gen 2 | 27K 2700K | 80CRI 80 CRI | PDIM Phase Dimmable | SP Spot NFL Narrow Flood FL Flood | BL Black SL Silver WH White |
| | TEK TEK 120V Track Adapter | | 30K 3000K | 90CRI 90 CRI | | | |
| | GTYPE G-Type Track Adapter | | 35K 3500K | SPW² SpectralWhite | | | |
| | HTYPE H-Type Track Adapter | | 40K 4000K | | | | |
| | LTYPE L-Type Track Adapter | | | | | | |
| See page 5 for Direct Canopy Mount Option (CPY) specifications. | | | | | | | |

| Accessories (Order Separately) | | | | | | | |
|--------------------------------|--------------------------|-----------------|-----------------------|-------------------------|--------------------------|-----------------|-----------------------------|
| HCLBL 375 | Hexcell Louver - Black | CGF 375 | Color Glass Filter | SOLITE 375 | Uniformity Lens (Solite) | TR2 SPT | Reflector – Spot |
| CCLBL 375 | Cube Cell Louver - Black | DGF 375 | Dichroic Glass Filter | PRISM 375 | Prismatic Spread Lens | TR2 NFLD | Reflector – Narrow Flood |
| SNOOTBL 375 | Snoot - Black | UVF 375 | UV Filter | LSPREAD 375 | Linear Spread Lens | TR2 FLD | Reflector – Flood |
| TBDR BLCK 375 | Barn Doors - Black | DIFF 375 | Diffusion Lens | T40N¹ | Monopoint Canopy | | |

See specification sheet [D1.2.2](#) for details and color filter options.Other accessories can be found on specification sheet [D1.2.0](#).

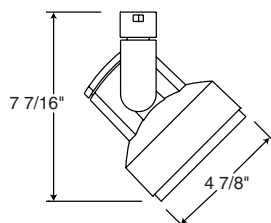
Notes:

- 1 Add finish code to complete catalog number (Example: T40N WH).
- 2 3000K and 3500K only.

TRAC-MASTER®

Avant Garde
CYLINDRA™ 15W LED
T254L G2

DIMENSIONS



ELECTRICAL DATA

| | |
|----------------------|-------|
| Input Voltage | 120V |
| Input Current (max.) | 0.13A |
| Power Factor | >0.92 |

PERFORMANCE DATA¹

| Catalog Number | Voltage | Input Watts (Typical) | Lumens | Efficacy (LPW) | Rated Life (Hours) | DLC Standard | DLC Premium |
|------------------------|---------|-----------------------|--------|----------------|--------------------|--------------|-------------|
| T254L G2 27K 80CRI SP | 120V | 15.2 | 1429 | 94 | 50,000 | | x |
| T254L G2 27K 80CRI NFL | 120V | 15.2 | 1477 | 97 | 50,000 | | x |
| T254L G2 27K 80CRI FL | 120V | 15.2 | 1504 | 99 | 50,000 | | x |
| T254L G2 27K 90CRI SP | 120V | 15.2 | 1164 | 77 | 50,000 | x | |
| T254L G2 27K 90CRI NFL | 120V | 15.2 | 1203 | 79 | 50,000 | x | |
| T254L G2 27K 90CRI FL | 120V | 15.2 | 1225 | 81 | 50,000 | x | |
| T254L G2 30K 80CRI SP | 120V | 15.2 | 1473 | 97 | 50,000 | | x |
| T254L G2 30K 80CRI NFL | 120V | 15.2 | 1523 | 100 | 50,000 | | x |
| T254L G2 30K 80CRI FL | 120V | 15.2 | 1551 | 102 | 50,000 | | x |
| T254L G2 30K 90CRI SP | 120V | 15.2 | 1208 | 79 | 50,000 | x | |
| T254L G2 30K 90CRI NFL | 120V | 15.2 | 1249 | 82 | 50,000 | x | |
| T254L G2 30K 90CRI FL | 120V | 15.2 | 1272 | 84 | 50,000 | x | |
| T254L G2 30K SPW SP | 120V | 15.2 | 1282 | 84 | 50,000 | | |
| T254L G2 30K SPW NFL | 120V | 15.2 | 1325 | 87 | 50,000 | | |
| T254L G2 30K SPW FL | 120V | 15.2 | 1349 | 89 | 50,000 | | |
| T254L G2 35K 80CRI SP | 120V | 15.2 | 1517 | 100 | 50,000 | | x |
| T254L G2 35K 80CRI NFL | 120V | 15.2 | 1569 | 103 | 50,000 | | x |
| T254L G2 35K 80CRI FL | 120V | 15.2 | 1598 | 105 | 50,000 | | x |
| T254L G2 35K 90CRI SP | 120V | 15.2 | 1252 | 82 | 50,000 | x | |
| T254L G2 35K 90CRI NFL | 120V | 15.2 | 1295 | 85 | 50,000 | x | |
| T254L G2 35K 90CRI FL | 120V | 15.2 | 1318 | 87 | 50,000 | x | |
| T254L G2 35K SPW SP | 120V | 15.2 | 1311 | 86 | 50,000 | | |
| T254L G2 35K SPW NFL | 120V | 15.2 | 1355 | 89 | 50,000 | | |
| T254L G2 35K SPW FL | 120V | 15.2 | 1380 | 91 | 50,000 | | |
| T254L G2 40K 80CRI SP | 120V | 15.2 | 1517 | 100 | 50,000 | | x |
| T254L G2 40K 80CRI NFL | 120V | 15.2 | 1569 | 103 | 50,000 | | x |
| T254L G2 40K 80CRI FL | 120V | 15.2 | 1598 | 105 | 50,000 | | x |
| T254L G2 40K 90CRI SP | 120V | 15.2 | 1282 | 84 | 50,000 | x | |
| T254L G2 40K 90CRI NFL | 120V | 15.2 | 1325 | 87 | 50,000 | x | |
| T254L G2 40K 90CRI FL | 120V | 15.2 | 1349 | 89 | 50,000 | x | |

Notes:

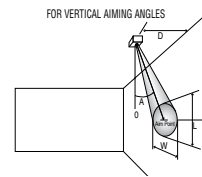
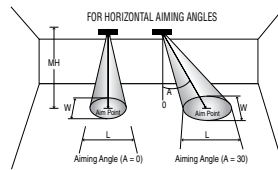
¹ Performance data, including Rated Life, is based on measurements of an individual fixture operating at 120V in a 25°C ambient.

TRAC-MASTER®

Avant Garde
CYLINDRA™ 15W LED
T254L G2

CBCP • Centerbeam candlepower
FC • Footcandles at beam center (aim point)

In vertical aiming applications, aim point (X) is determined by dividing distance from the wall (D) by the tangent of the desired aim angle (A) (0.5774 for 30°, 1.0 for 45°, 1.732 for 60°).



| Lamp | Beam Type | Beam Spread° | Rated Life | CBCP | 0° | | | 30° | | | 30° | | | 45° | | | 60° | | | | | | | | |
|--|-----------|--------------|------------|-------|----|-----|-----|-----|-----|-----|-----|----|-----|------|------|-----|------|------|-----|-----|----|-----|-----|-----|-----|
| | | | | | MH | FC | L | W | FC | L | W | D | FC | X | L | W | FC | X | L | W | D | FC | X | L | W |
| Cylindra 15W LED 3000K, 80CRI Spot | SP | 12° | 50000 | 21510 | 10 | 215 | 2.0 | 2.0 | 140 | 2.7 | 2.3 | 4 | 168 | 6.9 | 3.3 | 1.6 | 475 | 4.0 | 1.6 | 1.1 | 8 | 218 | 4.6 | 2.2 | 1.9 |
| | | | | | 12 | 149 | 2.4 | 2.4 | 97 | 3.2 | 2.8 | 6 | 75 | 10.4 | 5.0 | 2.4 | 211 | 6.0 | 2.4 | 1.7 | 10 | 140 | 5.8 | 2.7 | 2.3 |
| | | | | | 14 | 110 | 2.8 | 2.8 | 71 | 3.8 | 3.3 | 8 | 42 | 13.9 | 6.6 | 3.2 | 119 | 8.0 | 3.3 | 2.3 | 12 | 97 | 6.9 | 3.2 | 2.8 |
| | | | | | 16 | 84 | 3.2 | 3.2 | 55 | 4.3 | 3.7 | 10 | 27 | 17.3 | 8.3 | 4.0 | 76 | 10.0 | 4.1 | 2.8 | 14 | 71 | 8.1 | 3.8 | 3.3 |
| | | | | | 18 | 66 | 3.6 | 3.6 | 43 | 4.8 | 4.2 | 12 | 19 | 20.8 | 10.0 | 4.8 | 53 | 12.0 | 4.9 | 3.4 | 16 | 55 | 9.2 | 4.3 | 3.7 |
| Cylindra 15W LED 3000K, 80CRI Narrow Flood | NFL | 24° | 50000 | 5856 | 4 | 366 | 1.7 | 1.7 | 238 | 2.3 | 1.9 | 2 | 183 | 3.5 | 3.9 | 1.7 | 518 | 2.0 | 1.8 | 1.2 | 4 | 238 | 2.3 | 2.3 | 1.9 |
| | | | | | 6 | 163 | 2.5 | 2.5 | 106 | 3.4 | 2.9 | 3 | 81 | 5.2 | 5.8 | 2.5 | 230 | 3.0 | 2.6 | 1.8 | 5 | 152 | 2.9 | 2.8 | 2.4 |
| | | | | | 8 | 92 | 3.4 | 3.4 | 59 | 4.5 | 3.9 | 4 | 46 | 6.9 | 7.7 | 3.4 | 129 | 4.0 | 3.5 | 2.4 | 6 | 106 | 3.5 | 3.4 | 2.9 |
| | | | | | 10 | 59 | 4.2 | 4.2 | 38 | 5.7 | 4.8 | 5 | 29 | 8.7 | 9.7 | 4.2 | 83 | 5.0 | 4.4 | 3.0 | 7 | 78 | 4.0 | 4.0 | 3.4 |
| | | | | | 12 | 41 | 5.0 | 5.0 | 26 | 6.8 | 5.8 | 6 | 20 | 10.4 | 11.6 | 5.0 | 58 | 6.0 | 5.3 | 3.6 | 8 | 59 | 4.6 | 4.5 | 3.9 |
| Cylindra 15W LED 3000K, 80CRI Flood | FL | 44° | 50000 | 2889 | 3 | 321 | 2.4 | 2.4 | 208 | 3.4 | 2.8 | 1 | 361 | 1.7 | 6.1 | 1.6 | 1021 | 1.0 | 1.9 | 1.1 | 3 | 208 | 1.7 | 3.4 | 2.8 |
| | | | | | 4 | 181 | 3.2 | 3.2 | 117 | 4.5 | 3.7 | 2 | 90 | 3.5 | 12.2 | 3.2 | 255 | 2.0 | 3.8 | 2.3 | 4 | 117 | 2.3 | 4.5 | 3.7 |
| | | | | | 5 | 116 | 4.0 | 4.0 | 75 | 5.6 | 4.6 | 3 | 40 | 5.2 | 18.3 | 4.8 | 113 | 3.0 | 5.7 | 3.4 | 5 | 75 | 2.9 | 5.6 | 4.6 |
| | | | | | 6 | 80 | 4.8 | 4.8 | 52 | 6.7 | 5.5 | 4 | 23 | 6.9 | 24.4 | 6.4 | 64 | 4.0 | 7.6 | 4.5 | 6 | 52 | 3.5 | 6.7 | 5.5 |
| | | | | | 7 | 59 | 5.6 | 5.6 | 38 | 7.9 | 6.4 | 5 | 14 | 8.7 | ** | 8.0 | 41 | 5.0 | 9.5 | 5.6 | 7 | 38 | 4.0 | 7.9 | 6.4 |

**Due to steep aiming angle, length of beam extends beyond 25'.

| CRI/CCT Multiplier | | |
|--------------------|-----|------------|
| CRI | CCT | Multiplier |
| 80 | 27K | 0.97 |
| | 30K | 1.00 |
| | 35K | 1.03 |
| | 40K | 1.03 |
| 90 | 27K | 0.79 |
| | 30K | 0.82 |
| | 35K | 0.85 |
| | 40K | 0.87 |
| SPW | 30K | 0.87 |
| | 35K | 0.89 |

JUNO[®]**TRAC-MASTER**[®]

Project: _____

Fixture Type: _____

Location: _____

Contact/Phone: _____

Avant Garde
CYLINDRA™ 15W LED
T254L G2

BAA BABA DIRECT CANOPY MOUNT

PRODUCT DESCRIPTION

The Cylindra™ 15W LED approximates the light output and distribution of 90W PAR30 halogen lamps in a PAR30 size fixture, utilizing approximately 1/6 of the energy and having a rated life of 50,000 hours. Available in 2700K, 3000K, 3500K and 4000K color temperatures with a minimum 80 CRI. Optional high CRI versions are available with a minimum 90 CRI and R9 greater than 50. There are also optional SpectralWhite color/white enhancing versions which offer minimum 90 CRI while rendering colors richly and making whites appear naturally brilliant. The contemporary styling of the Cylindra LED enables it to subtly enhance practically any decor without diverting attention from the surrounding environment. Soft curved surfaces combine with clean, crisp edges to provide a uniquely attractive aesthetic. Cylindra's integral, bayonet-mounted accessory holder accommodates up to two accessories if desired. The Canopy Mount version is designed to mount over a standard j-box and is available with a variety of performance options including 277V operation, 347V operation, phase-dimming, and 0-10V dimming.



Cylindra 15W LED

Construction Die cast aluminum housing provides outstanding thermal management of LED, yielding 70% average lumen maintenance at 50,000 hours of operation • Fashionable, elegant design complements any decor • Available in white or black painted finishes.

LED High performance LED array provides outstanding reliability, performance and color quality/ consistency • 2700K, 3000K, 3500K or 4000K white phosphor high performance LEDs • Chromaticity range within a 3-step MacAdam Ellipse • 80 CRI minimum on standard product • Optional high CRI versions offer 90 CRI minimum • Optional SpectralWhite color/white enhancing versions are available which make whites appear naturally brilliant and render colors more richly.

Electrical/Driver Multi-volt (120-277V, 50/60Hz) phase-dimmable or 0-10V dimmable driver mounted in a deep canopy • Optional 347V 0-10V dimmable driver mounted in a deep canopy • 0-10V dimming requires two (2) additional low-voltage wires to be pulled.

Dimming MVOLT versions are phase-dimmable (120V only) down to 10% or less using high quality, factory-approved dimmers - see [T254LG2-DIM](#) • MVOLT versions are also 0-10V dimmable down to as low as 1% and require two (2) additional low-voltage wires to be pulled • 347V versions are 0-10V dimmable down to as low as 1% and require two (2) additional low-voltage wires to be pulled.

Optics Interchangeable computer-designed custom faceted reflectors available in three factory configured beam spreads • One reflector provided with fixture (as specified in catalog number) • Accessory reflectors available to enable beam changes in the field • Beam patterns can be altered as desired using a variety of available light control accessories.

Mounting Installs over a standard electrical j-box • Accent light is permanently, factory-assembled to the mounting canopy • Universal mounting plate accommodates octagon box and typical j-box mud rings • Mounting plate designed to be installed snug to mounting surface • May be ceiling or wall mounted in any orientation • Driver is assembled into mounting canopy – see Dimensions section for canopy type and dimensions based on option selected • Canopy is securely tethered to mounting plate to facilitate wiring terminations.

Accessory Holder Integral to fixture design • Die cast aluminum construction • Precision bayonet mounting • Accommodates up to two accessories if desired.

Aiming 360° horizontal coverage • 210° vertical aiming capability.

Labels UL and C-UL Damp Location Listed • Union made • Assembled in U.S.A.

Government Procurement

BAA – Buy America(n) Act: Product qualifies as a domestic end product under the Buy American Act as implemented in the FAR and DFARS. Product also qualifies as manufactured in the United States under DOT Buy America regulations.

BABA – Build America Buy America: Product qualifies as produced in the United States under the definitions of the Build America, Buy America Act. Please refer to www.acuitybrands.com/buy-american for additional information.

Warranty 5-year limited warranty. This is the only warranty provided and no other statements in this specification sheet create any warranty of any kind. All other express and implied warranties are disclaimed. Complete warranty terms located at: www.acuitybrands.com/support/warranty/terms-and-conditions

Note: Actual performance may differ as a result of end-user environment and application. All values are design or typical values, measured under laboratory conditions at 25 °C. Specifications subject to change without notice.

TRAC-MASTER®

Avant Garde
CYLINDRA™ 15W LED
T254L G2
DIRECT CANOPY MOUNT

ORDERING INFORMATION

Ordering Example: T254L CPY G2 30K 80CRI MVOLT NFL BL

| Series | Mounting Adapter Type | Generation | Color Temperature | Color Rendering Index | Input Voltage ² |
|-------------------------------|----------------------------|-----------------|--|---|---|
| T254L 15W Cylindra LED | CPY Canopy Mounting | G2 Gen 2 | 27K 2700K 30K 3000K 35K 3500K 40K 4000K | 80CRI 80 CRI 90CRI 90 CRI SPW ¹ SpectralWhite | MVOLT 120V/277V Operation 347 347V Operation |

| Distribution | Finish |
|--|------------------------------------|
| SP Spot NFL Narrow Flood FL Flood | BL Black WH White |

| Accessories (Order Separately) | | | | | | | |
|--------------------------------|--------------------------|-----------------|-----------------------|--------------------|--------------------------|-----------------|--------------------------|
| HCLBL 375 | Hexcell Louver - Black | CGF 375 | Color Glass Filter | SOLITE 375 | Uniformity Lens (Solite) | TR2 SPT | Reflector – Spot |
| CCLBL 375 | Cube Cell Louver - Black | DGF 375 | Dichroic Glass Filter | PRISM 375 | Prismatic Spread Lens | TR2 NFLD | Reflector – Narrow Flood |
| SNOOTBL 375 | Snoot - Black | UVF 375 | UV Filter | LSPREAD 375 | Linear Spread Lens | TR2 FLD | Reflector – Flood |
| TBDR BLCK 375 | Barn Doors - Black | DIFF 375 | Diffusion Lens | | | | |

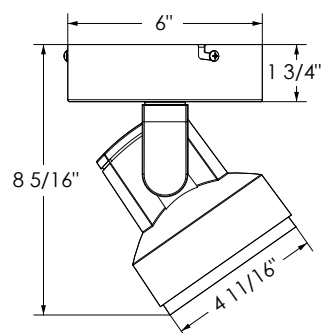
See specification sheet [D1.2.2](#) for details and color filter options.
 Other accessories can be found on specification sheet [D1.2.0](#).

Notes:
 1 3000K and 3500K only.
 2 MVOLT option can be either phase-dimmed (120V) or 0-10V dimmed; 347V option is 0-10V dimming only.

TRAC-MASTER®

Avant Garde
CYLINDRA™ 15W LED
T254L G2
DIRECT CANOPY MOUNT

DIMENSIONS



ELECTRICAL DATA

| | 120V | 277V | 347V |
|----------------------|-------|-------|-------|
| Input Voltage | 120V | 277V | 347V |
| Input Wattage (typ.) | 14.8 | 15.1 | 16.0 |
| Input Current (max.) | 0.14A | 0.06A | 0.06A |
| Power Factor | >0.99 | >0.95 | >0.82 |
| T.H.D. | <10% | <20% | <30% |

PERFORMANCE DATA¹

| Catalog Number | Voltage | Input Watts (Typical) | Lumens | Efficacy (LPW) | Rated Life (Hours) |
|------------------------|---------|-----------------------|--------|----------------|--------------------|
| T254L G2 27K 80CRI SP | 120V | 14.8 | 1429 | 94 | 50,000 |
| T254L G2 27K 80CRI NFL | 120V | 14.8 | 1477 | 97 | 50,000 |
| T254L G2 27K 80CRI FL | 120V | 14.8 | 1504 | 99 | 50,000 |
| T254L G2 27K 90CRI SP | 120V | 14.8 | 1164 | 77 | 50,000 |
| T254L G2 27K 90CRI NFL | 120V | 14.8 | 1203 | 79 | 50,000 |
| T254L G2 27K 90CRI FL | 120V | 14.8 | 1225 | 81 | 50,000 |
| T254L G2 30K 80CRI SP | 120V | 14.8 | 1473 | 97 | 50,000 |
| T254L G2 30K 80CRI NFL | 120V | 14.8 | 1523 | 100 | 50,000 |
| T254L G2 30K 80CRI FL | 120V | 14.8 | 1551 | 102 | 50,000 |
| T254L G2 30K 90CRI SP | 120V | 14.8 | 1208 | 79 | 50,000 |
| T254L G2 30K 90CRI NFL | 120V | 14.8 | 1249 | 82 | 50,000 |
| T254L G2 30K 90CRI FL | 120V | 14.8 | 1272 | 84 | 50,000 |
| T254L G2 30K SPW SP | 120V | 14.8 | 1282 | 84 | 50,000 |
| T254L G2 30K SPW NFL | 120V | 14.8 | 1325 | 87 | 50,000 |
| T254L G2 30K SPW FL | 120V | 14.8 | 1349 | 89 | 50,000 |
| T254L G2 35K 80CRI SP | 120V | 14.8 | 1517 | 100 | 50,000 |
| T254L G2 35K 80CRI NFL | 120V | 14.8 | 1569 | 103 | 50,000 |
| T254L G2 35K 80CRI FL | 120V | 14.8 | 1598 | 105 | 50,000 |
| T254L G2 35K 90CRI SP | 120V | 14.8 | 1252 | 82 | 50,000 |
| T254L G2 35K 90CRI NFL | 120V | 14.8 | 1295 | 85 | 50,000 |
| T254L G2 35K 90CRI FL | 120V | 14.8 | 1318 | 87 | 50,000 |
| T254L G2 35K SPW SP | 120V | 14.8 | 1311 | 86 | 50,000 |
| T254L G2 35K SPW NFL | 120V | 14.8 | 1355 | 89 | 50,000 |
| T254L G2 35K SPW FL | 120V | 14.8 | 1380 | 91 | 50,000 |
| T254L G2 40K 80CRI SP | 120V | 14.8 | 1517 | 100 | 50,000 |
| T254L G2 40K 80CRI NFL | 120V | 14.8 | 1569 | 103 | 50,000 |
| T254L G2 40K 80CRI FL | 120V | 14.8 | 1598 | 105 | 50,000 |
| T254L G2 40K 90CRI SP | 120V | 14.8 | 1282 | 84 | 50,000 |
| T254L G2 40K 90CRI NFL | 120V | 14.8 | 1325 | 87 | 50,000 |
| T254L G2 40K 90CRI FL | 120V | 14.8 | 1349 | 89 | 50,000 |

Notes:

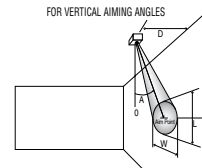
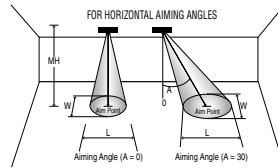
¹ Performance data, including Rated Life, is based on measurements of an individual fixture operating at 120V in a 25°C ambient.

TRAC-MASTER®

Avant Garde
CYLINDRA™ 15W LED
T254L G2
DIRECT CANOPY MOUNT

CBCP • Centerbeam candlepower
FC • Footcandles at beam center (aim point)

In vertical aiming applications, aim point (X) is determined by dividing distance from the wall (D) by the tangent of the desired aim angle (A) (0.5774 for 30°, 1.0 for 45°, 1.732 for 60°).



| Lamp | Beam Type | Beam Spread° | Rated Life | CBCP | 0° | | | 30° | | | | 45° | | | | 60° | | | | | | | | | |
|---|-----------|--------------|------------|-------|----|-----|-----|-----|-----|------|-----|-----|-----|------|------|-----|------|------|-----|-----|----|-----|-----|-----|-----|
| | | | | | MH | FC | L | W | FC | L | W | D | FC | X | L | W | FC | X | L | W | D | FC | X | L | W |
| Cylindra 15W LED 3000K, 80CRI Spot | SP | 12° | 50000 | 21510 | 10 | 215 | 2.0 | 2.0 | 140 | 2.7 | 2.3 | 4 | 168 | 6.9 | 3.3 | 1.6 | 475 | 4.0 | 1.6 | 1.1 | 8 | 218 | 4.6 | 2.2 | 1.9 |
| | | | | | 12 | 149 | 2.4 | 2.4 | 97 | 3.2 | 2.8 | 6 | 75 | 10.4 | 5.0 | 2.4 | 211 | 6.0 | 2.4 | 1.7 | 10 | 140 | 5.8 | 2.7 | 2.3 |
| | | | | | 14 | 110 | 2.8 | 2.8 | 71 | 3.8 | 3.3 | 8 | 42 | 13.9 | 6.6 | 3.2 | 119 | 8.0 | 3.3 | 2.3 | 12 | 97 | 6.9 | 3.2 | 2.8 |
| | | | | | 16 | 84 | 3.2 | 3.2 | 55 | 4.3 | 3.7 | 10 | 27 | 17.3 | 8.3 | 4.0 | 76 | 10.0 | 4.1 | 2.8 | 14 | 71 | 8.1 | 3.8 | 3.3 |
| | | | | | 18 | 66 | 3.6 | 3.6 | 43 | 4.8 | 4.2 | 12 | 19 | 20.8 | 10.0 | 4.8 | 53 | 12.0 | 4.9 | 3.4 | 16 | 55 | 9.2 | 4.3 | 3.7 |
| | | | | | 4 | 366 | 1.7 | 1.7 | 238 | 2.3 | 1.9 | 2 | 183 | 3.5 | 3.9 | 1.7 | 518 | 2.0 | 1.8 | 1.2 | 4 | 238 | 2.3 | 2.3 | 1.9 |
| Cylindra 15W LED 3000K, 80CRI Narrow Flood | NFL | 24° | 50000 | 5856 | 6 | 163 | 2.5 | 2.5 | 106 | 3.4 | 2.9 | 3 | 81 | 5.2 | 5.8 | 2.5 | 230 | 3.0 | 2.6 | 1.8 | 5 | 152 | 2.9 | 2.8 | 2.4 |
| | | | | | 8 | 92 | 3.4 | 3.4 | 59 | 4.5 | 3.9 | 4 | 46 | 6.9 | 7.7 | 3.4 | 129 | 4.0 | 3.5 | 2.4 | 6 | 106 | 3.5 | 3.4 | 2.9 |
| | | | | | 10 | 59 | 4.2 | 4.2 | 38 | 5.7 | 4.8 | 5 | 29 | 8.7 | 9.7 | 4.2 | 83 | 5.0 | 4.4 | 3.0 | 7 | 78 | 4.0 | 4.0 | 3.4 |
| | | | | | 12 | 41 | 5.0 | 5.0 | 26 | 6.8 | 5.8 | 6 | 20 | 10.4 | 11.6 | 5.0 | 58 | 6.0 | 5.3 | 3.6 | 8 | 59 | 4.6 | 4.5 | 3.9 |
| | | | | | 3 | 321 | 2.4 | 2.4 | 208 | 3.4 | 2.8 | 1 | 361 | 1.7 | 6.1 | 1.6 | 1021 | 1.0 | 1.9 | 1.1 | 3 | 208 | 1.7 | 3.4 | 2.8 |
| Cylindra 15W LED 3000K, 80CRI Flood | FL | 44° | 50000 | 2889 | 4 | 181 | 3.2 | 3.2 | 117 | 4.5 | 3.7 | 2 | 90 | 3.5 | 12.2 | 3.2 | 255 | 2.0 | 3.8 | 2.3 | 4 | 117 | 2.3 | 4.5 | 3.7 |
| | | | | | 5 | 116 | 4.0 | 4.0 | 75 | 5.6 | 4.6 | 3 | 40 | 5.2 | 18.3 | 4.8 | 113 | 3.0 | 5.7 | 3.4 | 5 | 75 | 2.9 | 5.6 | 4.6 |
| | | | | | 6 | 80 | 4.8 | 4.8 | 52 | 6.7 | 5.5 | 4 | 23 | 6.9 | 24.4 | 6.4 | 64 | 4.0 | 7.6 | 4.5 | 6 | 52 | 3.5 | 6.7 | 5.5 |
| | | | | | 7 | 59 | 5.6 | 5.6 | 38 | 7.9 | 6.4 | 5 | 14 | 8.7 | ** | 8.0 | 41 | 5.0 | 9.5 | 5.6 | 7 | 38 | 4.0 | 7.9 | 6.4 |
| | | | | | 1 | 361 | 1.7 | 6.1 | 1.6 | 1021 | 1.0 | 1.9 | 1.1 | 3 | 208 | 1.7 | 3.4 | 2.8 | | | | | | | |

**Due to steep aiming angle, length of beam extends beyond 25'

| CRI/CCT Multiplier | | |
|--------------------|-----|------------|
| CRI | CCT | Multiplier |
| 80 | 27K | 0.97 |
| | 30K | 1.00 |
| | 35K | 1.03 |
| | 40K | 1.03 |
| 90 | 27K | 0.79 |
| | 30K | 0.82 |
| | 35K | 0.85 |
| | 40K | 0.87 |
| SPW | 30K | 0.87 |
| | 35K | 0.89 |