

JUNO

5" IC 600 LUMEN LED DOWNLIGHT NEW CONSTRUCTION

IC20LED (G4 06LM), RECESSED HOUSING

OPEN TRIMS

Project: _____

Fixture Type: _____

Location: _____

Contact/Phone: _____



PRODUCT DESCRIPTION

Dedicated LED, Air-Loc® sealed new construction housing with integral light engine • Shallow housing allows for fit in 2 x 6 construction • Can be completely covered with insulation • Fully sealed housing stops infiltration and exfiltration of air, reducing heating and air cooling costs without the use of additional gaskets • LED housing is designed to provide 50,000 hours of life and is compatible with many standard Juno trims • 5 year limited warranty on LED components.

ENVIRONMENTALLY FRIENDLY, ENERGY EFFICIENT

- No harmful ultraviolet or infrared wavelengths
- No lead or mercury
- Comparable light output to 65W BR30 incandescent

PRODUCT SPECIFICATIONS

LED Light Engine LED array integrated to thermally conductive housing provides uninterrupted heat transfer to ensure long life of the LED

- Replaceable light engine mounts directly to housing and incorporates the latest generation, high lumen output LED array • LEDs are binned within a 3-step MacAdam Ellipse exceeding ENERGY STAR® requirements for superior fixture to fixture color uniformity • 2700K, 3000K, 3500K, or 4000K color temperatures available • 90 CRI minimum.

Optical System Computer-optimized reflector design with high reflectance white finish coupled with a high transmission diffusing lens conceals the LEDs and produces uniform aperture luminance • Deep regression of lens produces a low glare, efficient system that can produce over 600 lumens with select trims (see page 2 for details) using less than 9W* • Wide flood (>70°) distribution shipped as standard with optional optic accessories available and sold separately.

Aesthetic Trim Selections Compatible with wide selection of existing Juno trims • Shadow free, knife edge design blends seamlessly into ceiling.

LED Driver Choice of dedicated 120 volt (120) driver or universal voltage (MVOLT) drivers that accommodate input voltages from 120-277 volts AC at 50/60Hz • Power factor > 0.9 at 120V input • 120 volt only driver is dimmable with the use of most incandescent, magnetic low voltage and electronic low voltage wall box dimmers • Universal voltage drivers are dimmable with the use of most 0-10V wall box dimmers • For a list of compatible dimmers, see [JUNOICLED-DIM](#) • Mounted between the j-box and housing for easy access and cool operation.

Life Rated for 50,000 hours at 70% lumen maintenance.

Labels ENERGY STAR® Certified when used with select baffle and cone trims • Certified to the high efficacy requirements of California T24 JA8-2016 with select trims • UL listed for U.S and Canada through-branch wiring, damp locations • Union made • UL and cUL.

Testing All reports are based on published industry procedures; field performance may differ from laboratory performance.

Specifications subject to change without notice.

HOUSING FEATURES

Housing Designed for use in IC (insulated ceiling) or non-IC construction • Aluminum housing sealed for Air-Loc® compliance • Housing is vertically adjustable to accommodate up to a 2" ceiling thickness.

Junction Box Pre-wired junction box provided with (5) ½" and (1) ¾" knockouts, (4) knockouts for 12/2 or 14/2 NM cable and ground wire • UL listed and cUL listed for through-branch wiring, maximum 8 #12 branch circuit conductors • Junction box provided with removable access plates • Knockouts equipped with pryout slots • Quick connect electrical connectors supplied as standard for fast, secure installation.

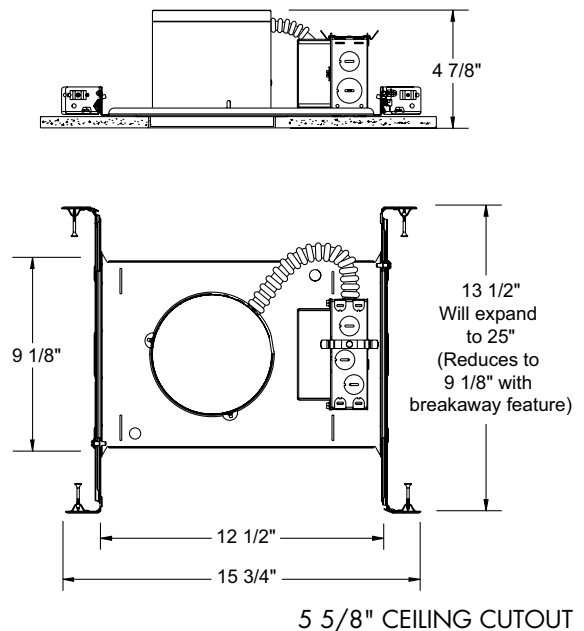
Mounting Frame 22-gauge die-formed galvanized steel mounting frame • Rough-in section (junction box, mounting frame, housing and bar hangers) fully assembled for ease of installation.

Real Nail 3 Bar Hangers Telescoping Real Nail® 3 system permits quick placement of housing anywhere within 24" O.C. joists or suspended ceilings • Includes removable nail for repositioning of fixture in wood joist construction • Integral T-bar notch and clip for suspended ceilings • Design covered under US Patent D552,969.

* Nominal input wattage @ 120-volt operation with dedicated 120-volt driver under stable operating conditions.



DIMENSIONS



5 5/8" CEILING CUTOUT

5" IC 600 LUMEN LED DOWNLIGHT NEW CONSTRUCTION

IC20LED (G4 06LM), RECESSED HOUSING OPEN TRIMS

ELECTRICAL DATA

Dedicated 120V Only Driver Option (120 FRPC)

	120V
Input Power	8.6W (+/-5%)
Input Current	0.07A
Frequency	50/60Hz
EMI/RFI	FCC Title 47 CFR, Part 15, Class B (residential)
Minimum starting temp	-25°C

ELECTRICAL DATA

Universal Voltage

	MVOLT EZ10 and EZ1		MVOLT ZT10 and ZT1	
	120V	277V	120V	277V
Input Power	8.3W (+/-5%)	8.9W (+/-5%)	8.3W (+/-5%)	8.9W (+/-5%)
Input Current	0.07A	0.03A	0.07A	0.03A
Frequency	50/60Hz	50/60Hz	50/60Hz	50/60Hz
EMI/RFI	FCC Title 47 CFR, Part 15, Class B (residential)	FCC Title 47 CFR, Part 15, Class B (residential)	FCC Title 47 CFR, Part 15, Class B (residential)	FCC Title 47 CFR, Part 15, Class B (residential)
Minimum starting temp	-20°C	-20°C	-20°C	-20°C

ORDERING INFORMATION

Housing and trim can be ordered together or separate, but will always ship separately.

Example: IC20LED G4 06LM 30K 90CRI 120 FRPC

Series	Generation	Lumens	Color Temperature	CRI	Voltage/Driver
IC20LED 5" LED IC New Construction Downlight	G4 Generation 4	06LM 600 Nominal Lumens	27K 2700K	90CRI 90+ CRI	120 FRPC 120V Forward/Reverse Phase Cut, 5% dim
			30K 3000K		MVOLT ZT10 Multi-Volt (120-277), 0-10V, 10% dim
			35K 3500K		MVOLT ZT1 Multi-Volt (120-277), 0-10V, 1% dim
			40K 4000K		MVOLT EZ10 Multi-Volt (120-277), eLdoLED 0-10V, 10% dim
					MVOLT EZ1 Multi-Volt (120-277), eLdoLED 0-10V, 1% dim



A+ Capable options indicated by this color background

Trim/Description

	205 BABZ¹	5" Downlight Baffle Trim - Black Baffle, Classic Aged Bronze Trim Ring	¹ Not ENERGY STAR® Certified or T24 certified
	205 BSC¹	5" Downlight Baffle Trim -Black Baffle, Satin Chrome Trim Ring	
	205 BWH¹	5" Downlight Baffle Trim -Black Baffle, White Trim Ring	
	205 WWH	5" Downlight Baffle Trim -White Baffle, White Trim Ring	
	204 BWH¹	5" Downlight Cone Trim -Black Alzak® Cone, White Trim Ring	
	204 CWH	5" Downlight Cone Trim -Clear Alzak® Cone, White Trim Ring	
	204 GWH	5" Downlight Cone Trim -Gold Alzak® Cone, White Trim Ring	
	204 HZWH	5" Downlight Cone Trim -Haze Cone, White Trim Ring	
	204 PTSC	5" Downlight Cone Trim -Pewter Alzak® Cone, Satin Chrome Trim Ring	
	204 WHZABZ	5" Downlight Cone Trim -Wheat Haze Cone, Classic Aged Bronze Trim Ring	
	204 WHZWH	5" Downlight Cone Trim -Wheat Haze Cone, White Trim Ring	
	204 WWH	5" Downlight Cone Trim -White Cone, White Trim Ring	

Trim Size: 6¼" O.D.

Alzak® is a registered trademark of Alcoa Corp.

Note: In Canada when insulation is present, Type IC fixtures must be used.

Accessories (ordered separately)

Catalog Number	Description
LEDOPTICG3 MFL	Medium Flood Optic (50°)
LEDOPTICG3 NFL	Narrow Flood Optic (37°)
LEDOPTICG3 SP	Spot Optic (10°)

To order, specify catalog number.

Catalog Number	Description
TR5 ABZ	5" Trim Ring - Classic Aged Bronze
TR5 BL	5" Trim Ring - Black
TR5 SC	5" Trim Ring - Satin Chrome
TR5 WH	5" Trim Ring - White

To order, specify catalog number.

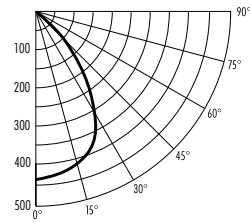
5" IC 600 LUMEN LED DOWNLIGHT NEW CONSTRUCTION

IC20LED (G4 06LM), RECESSED HOUSING OPEN TRIMS

PHOTOMETRIC REPORT

Test Report #: PT02141404
Catalog No: IC20LED G4 06LM 35K
with 205 WWH Trim
and standard wide flood optic

Luminaire Spacing Criterion: 1.10
Luminaire LPW: 78



CANDLEPOWER DISTRIBUTION (Candelas)

Degrees	Vertical	0°
0	445	
5	442	
15	421	
25	361	
35	241	
45	105	
55	58	
65	34	
75	20	
85	4	
90	0	

Multiplier: 27K - 0.89
30K - 0.94
40K - 1.03

AVERAGE INITIAL FOOTCANDLES

Multiple Units (Square Array, 60'x60' room)
Ceiling 80% Wall 50% Floor 20%

Spacing	RCR1	RCR3	RCR5
4.0'	50	41	34
5.0'	32	26	22
6.0'	22	18	15
7.0'	18	15	12
8.0'	14	12	10
9.0'	11	9	7
10.0'	8	6	5

ZONAL LUMEN SUMMARY

Zone	Lumens	%Lamp	%Fixture
0-30°	325	N/A	48.6
0-40°	473	N/A	70.7
0-60°	610	N/A	91.1
0-90°	669	N/A	100.0

INITIAL FOOTCANDLES (One Unit, 8.6W, 72° Beam)

Distance to Illuminated Plane (Feet)	Footcandles Beam Center	Beam Diameter
4	27.8	5.8'
6	12.4	8.7'
8	7.0	11.6'
10	4.5	14.5'

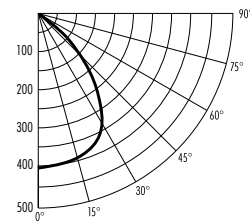
LUMINANCE (Average cd/m²)

Degrees	Average Luminance
45	14013
55	9638
65	7516
75	7291
85	4569

PHOTOMETRIC REPORT

Test Report #: LTL25981R
Catalog No: IC20LED G4 06LM 35K
with 204 CWH Trim
and standard wide flood optic

Luminaire Spacing Criterion: 1.26
Luminaire LPW: 89



CANDLEPOWER DISTRIBUTION (Candelas)

Degrees	Vertical	0°
0	410	
5	407	
15	392	
25	370	
35	303	
45	164	
55	85	
65	39	
75	7	
85	0	
90	0	

Multiplier: 27K - 0.89
30K - 0.94
40K - 1.03

AVERAGE INITIAL FOOTCANDLES

Multiple Units (Square Array, 60'x60' room)
Ceiling 80% Wall 50% Floor 20%

Spacing	RCR1	RCR3	RCR5
4.0'	57	46	38
5.0'	36	30	24
6.0'	25	21	17
7.0'	20	17	14
8.0'	16	13	11
9.0'	12	10	8
10.0'	9	7	6

ZONAL LUMEN SUMMARY

Zone	Lumens	%Lamp	%Fixture
0-30°	320	N/A	42.0
0-40°	505	N/A	66.4
0-60°	711	N/A	93.3
0-90°	762	N/A	100.0

INITIAL FOOTCANDLES (One Unit, 8.6W, 83.8° Beam)

Distance to Illuminated Plane (Feet)	Footcandles Beam Center	Beam Diameter
4	25.6	7.2'
6	11.4	10.8'
8	6.4	14.4'
10	2.8	17.9'

LUMINANCE (Average cd/m²)

Degrees	Average Luminance
45	22627
55	14361
65	9328
75	2686
85	0

Fixtures tested to IES recommended standard for solid state lighting per LM-79-08. Photometric performance on a single unit represents a baseline of performance for the fixture. Results may vary in the field.